

Geared servo motors

MCS synchronous servo motors - g500-B bevel gearboxes

Inhalt

About this document	5
Document description	5
Further documents.....	5
Notations and conventions.....	6
Product information	7
Product description	7
Identification of the products.....	8
Features.....	9
The modular system	10
Information on project planning	17
Safety instructions	18
Basic safety instructions	18
Application as directed.....	18
Foreseeable misuse.....	18
Residual hazards.....	19
Drive dimensioning.....	20
Final configuration.....	27
Environmental conditions.....	28
Free spaces	30
Information on mechanical installation	37
Important notes.....	37
Transport.....	37
Installation.....	37
Information on electrical installation	38
Important notes.....	38
Preparation.....	38
Technical data	39
Notes regarding the given data.....	39
Standards and operating conditions.....	40
Conformities/approvals.....	40
Protection of persons and device protection.....	40
EMC data.....	40
Environmental conditions.....	40
Data overview.....	41
Radial forces and axial forces	49
Selection tables.....	51
Inverter mains connection 400 V, Self-ventilated.....	53
Inverter mains connection 400 V, Forced-ventilated.....	118
Dimensions.....	172
Basic dimensions.....	172
Additional lengths	296
Weights	298
Basic weights.....	298
Additional weights.....	300

Inhalt

Product extensions	301
Torque plates.....	301
Shaft covers.....	308
Motor connection.....	311
Connection via terminal box.....	311
Connection via ICN connector.....	315
Brakes.....	318
Permanent magnet brakes.....	320
Feedback.....	322
Resolver.....	323
Incremental encoder.....	324
Absolute value encoder.....	325
Blower.....	326
Temperature monitoring.....	327
Thermal detectors PT1000.....	327
Product codes	329
Motor data	331
Rated data.....	331
Inverter mains connection 400 V, Self-ventilated.....	331
Inverter mains connection 230 V, Self-ventilated.....	336
Inverter mains connection 400 V, Forced-ventilated.....	338
Torque characteristics.....	342
Appendix	371
Good to know.....	371
Approvals/directives.....	371
Operating modes of the motor.....	372
Enclosures.....	373



About this document

Document description




This document addresses to all persons who want to carry out any configurations with the products described.

The data and information compiled in this document serve to support you in the dimensioning and selection processes and in carrying out the electrical and mechanical installation. You will receive information regarding product extensions and accessories.

- The document includes safety instructions which must be observed.
- All persons working on and with the drives must have the documentation at hand during work and observe the information and notes relevant for it.
- The documentation must always be complete and in a perfectly readable state.

NOTICE

Please observe the notes in the following chapters!

- ▶ [Safety instructions](#)  18
 - ▶ [Information on mechanical installation](#)  37
 - ▶ [Information on electrical installation](#)  38
-

Further documents

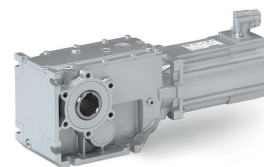


Information and tools with regard to the Lenze products can be found on the Internet:

<http://www.lenze.com> → Download





About this document

Notations and conventions



Notations and conventions

This document uses the following conventions to distinguish different types of information:

Numeric notation			
	Decimal separator	Point	The decimal point is always used. Example: 1 234.56
Warning			
	UL warning	UL	Are used in English and French.
	UR warning	UR	
Text			
	Programs	» «	Software Example: »Engineer«, »EASY Starter«
Icons			
	Page reference		Reference to another page with additional information Example:  16 = see page 16
	Documentation reference		Reference to another documentation with additional information Example:  EDKxxx = see documentation EDKxxx

Layout of the safety instructions

DANGER!

This note refers to an imminent danger which, if not avoided, may result in death or serious injury.

WARNING!

This note refers to a danger which, if not avoided, may result in death or serious injury.

CAUTION!

This note refers to a danger which, if not avoided, may result in minor or moderate injury.

NOTICE

This note refers to a danger which, if not avoided, may result in damage to material assets.



Product information

Product description

In combination with servo motors, our bevel gearboxes form a compact and powerful drive unit. Numerous options at the input and output end provide for the drive to be exactly adapted to your application.

The efficient bevel gearboxes feature high reliable radial forces, closely stepped gear reductions and a low backlash. They are available in a 2-stage and 3-stage design with a torque of up to 4300 Nm and a ratio of up to $i = 360$.

Designs

- High-efficient right-angle gearbox in a compact design for space-saving installation
- Standardised shaft and flange dimensions for an easy machine integration
- Low backlash and high torsional stiffness provide for exact results in positioning applications

Synchronous servo motors as a basis for geared motors

In a power range of 0.25 to 38.4 kW, Lenze offers servo motors with a scalable modular design.

The drives are designed for the open-loop or closed-loop controlled servo inverter operation.

These motors feature a high dynamic performance and overload capacity.

Customer benefit

- High dynamic performance thanks to a rotor with a low mass inertia
- High overload capacity of the motors
- High efficiency
- Space-saving thanks to compact direct attachment to Lenze gearboxes
- Can be used universally for a wide range of machine tasks due to the market-oriented modular system

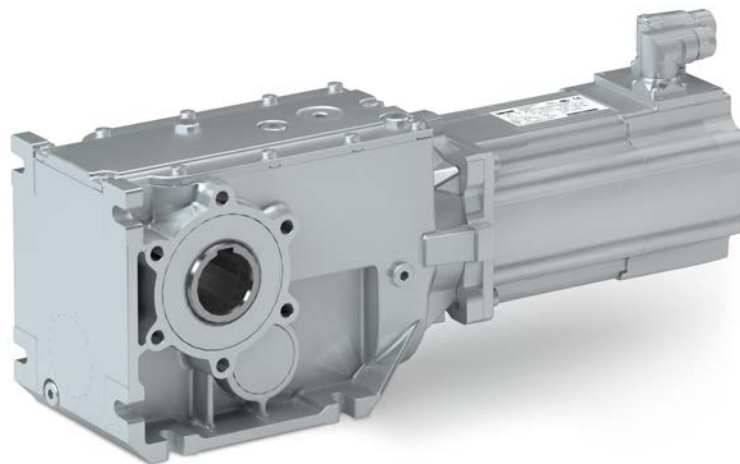


Fig. 1: MCS12L synchronous servo motor - g500-B450 bevel gearbox

Product information

Identification of the products



Identification of the products

Gearbox product name

Gearbox type	Product series		Type	Rated torque Nm	Product
Bevel gearbox	g500	-	B	45	g500-B45
				110	g500-B110
				240	g500-B240
				450	g500-B450
				600	g500-B600
				820	g500-B820
				1500	g500-B1500
				2700	g500-B2700
				4300	g500-B4300

Servo motor product name

	Motor				
Example	MCS	06	C	41	-

Meaning	Variant				
Product family		MCS			
Size			06 09 12 14 17 19		
Overall length				C ... P	
Rated speed	rpm x 100				11 ... 60
Mains voltage	3 x 400 V, IP54/IP65				-
	3 x 230 V, IP54/IP65				L



Features

Ventilation

(depending on the mounting position)

Oil filler plug

(depending on the mounting position)

Remove oil control plug

(depending on the mounting position)

Oil drain plug

(depending on the mounting position)

Housing type

Torque plate mounting

Output shaft

Output flange

Torque plate mounting

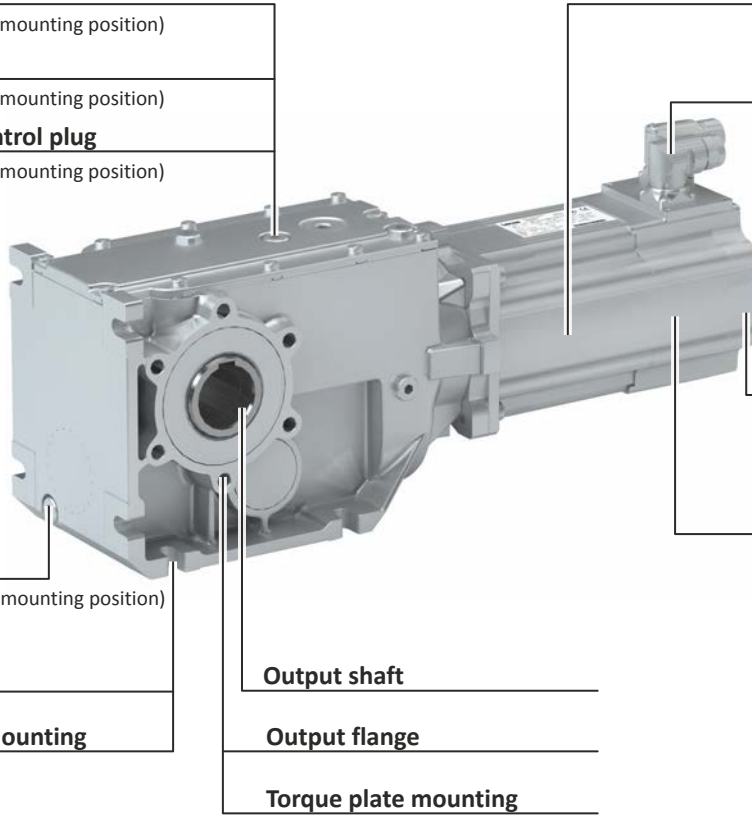
Temperature monitoring

Motor connection

Cooling

Feedback

Permanent magnet brake



Product information

The modular system



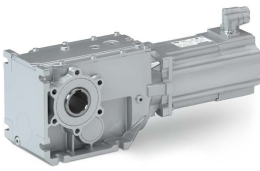
The modular system



Values printed in bold are standard designs. Values that are not printed in bold are potential extensions, some of them including a surcharge.

Geared motors up to 450 Nm

Gearbox		g500-B45	g500-B110	g500-B240	g500-B450
Min. motor assignment		MCS06	MCS06	MCS06	MCS06
Max. motor assignment		MCS06	MCS09	MCS12	MCS14
Technical data					
Max. output torque	Nm	45	100	140	210
Min. drive torque	Nm	0.6	0.6	0.6	0.6
Max. drive torque	Nm	0.6	4.5	17	42
Mounting position					
Standard		A/B/C/D/E/F			
Combined		ABCDEF	AEF		
Colour					
		Primed Painted in RAL colours			
Surface and corrosion protection					
		OKS-G Different types of OKS			
Output shaft					
Solid shaft with featherkey (V)	mm	20 x 40	20 x 40	30 x 60	30 x 60
Hollow shaft with keyway (H)	mm	18/20	20/25	30/35	35/40
Hollow shaft with shrink disc (S)	mm	20	20	30/35	35
Shaft material					
		Steel Stainless steel			
Shaft sealing ring material					
		NBR FKM (Viton)			
Output shaft bearing					
		Normal Reinforced			
Gearbox version					
		With foot (HBR)/(VBR/SBR) With foot and centring (HAR/VAR/SAR) With foot and output flange (HAK/VAK/SAK)			
Output flange (K)	mm	110/120	120/160	160/200	200
Lubricant					
		Synthetic oil Food-compatible oil			
Cooling					
		Self-ventilated Forced-ventilated			
Torque plate					
		At threaded pitch circle Rubber buffers			
		On the housing foot			
Shaft cover					
		Hoseproof hollow shaft cover Shrink disc cover			
Motor connection					
		Connectors Terminal box			
Permanent magnet holding brake					
		Without Brake design: Standard			
Feedback					
		Resolver Absolute value encoder Incremental encoder			
Temperature monitoring					
		Thermal detectors PT1000			



Geared motors from 600 Nm to 4300 Nm

Gearbox		g500-B600	g500-B820	g500-B1500	g500-B2700	g500-B4300
Min. motor assignment		MCS06	MCS06	MCS09	MCS12	MCS12
Max. motor assignment		MCS14	MCS14	MCS19	MCS19	MCS19
Technical data						
Max. output torque	Nm	600	820	1500	2700	4300
Min. drive torque	Nm	0.6	0.6	2.3	4.3	4.3
Max. drive torque	Nm	42	42	72	72	72
Mounting position						
Standard		A/B/C/D/E/F				
Combined						
Colour		Primed Painted in RAL colours				
Surface and corrosion protection		OKS-G Different types of OKS				
Output shaft						
Solid shaft with featherkey (V)	mm	40 x 80	40 x 80	50 x 100	60 x 120	70 x 140
Hollow shaft with keyway (H)	mm	40/45	40/45	50/55	60/70	70/80
Hollow shaft with shrink disc (S)	mm	40	40	50	65	75/80
Shaft material		Steel Stainless steel				
Shaft sealing ring material		NBR FKM (Viton)				
Output shaft bearing		Normal Reinforced				
Gearbox version		With foot (HBR)/(VBR/SBR) With foot and centring (HAR/VAR/SAR) With foot and output flange (HAK/VAK/SAK)				
Output flange	mm	200/250	200/250	250/300	350	400/450
Lubricant		Synthetic oil Food-compatible oil				
Cooling		Self-ventilated Forced-ventilated				
Torque plate		At threaded pitch circle On the housing foot				
Shaft covers		Hoseproof hollow shaft cover Shrink disc cover				
Motor connection		Connectors Terminal box				
Permanent magnet holding brake		Without Brake design: Standard				
Feedback		Resolver Absolute value encoder Incremental encoder				
Temperature monitoring		Thermal detectors PT1000				

Product information

The modular system

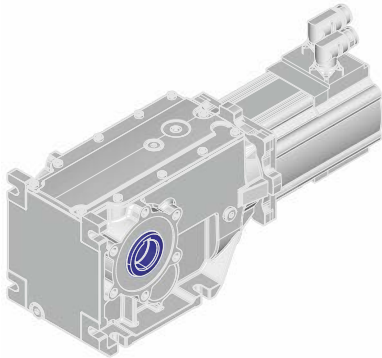


Models at the output

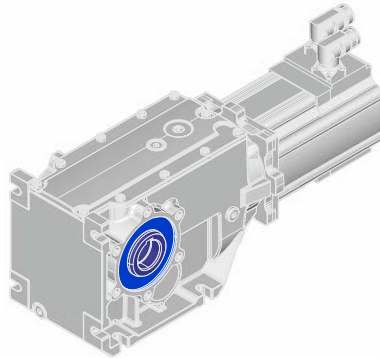
NOTICE

Please observe the available gearbox designs!

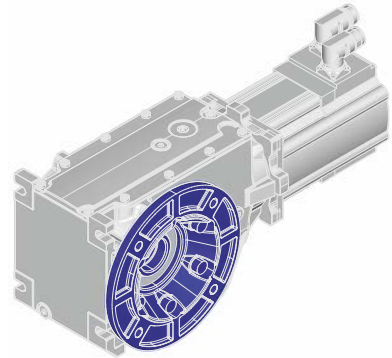
Hollow shaft, with foot



Without centring (HBR)

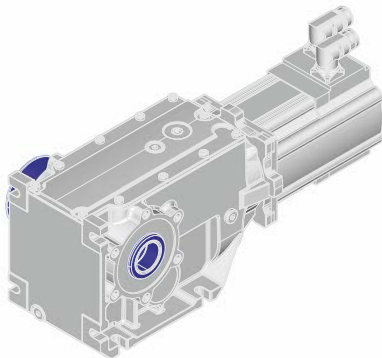


With centring (HAR)

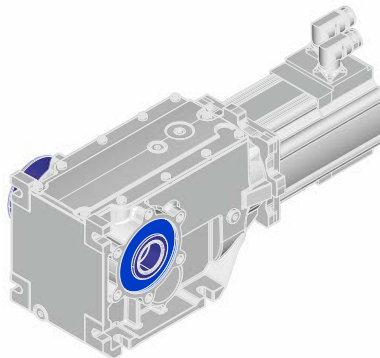


Flange with through holes (HAK)

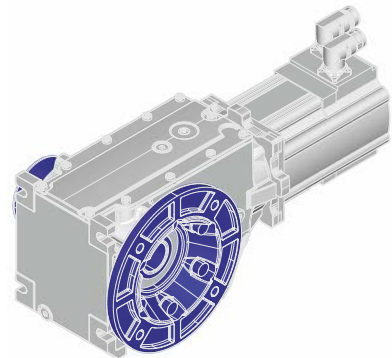
Hollow shaft with shrink disc, with foot



Without centring (SBR)

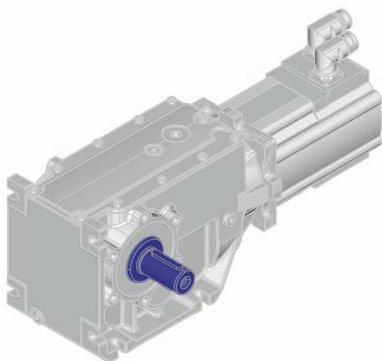


With centring (SAR)

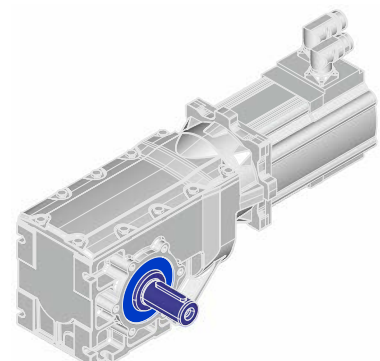


Flange with through holes (SAK)

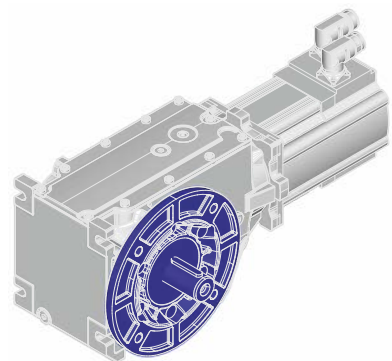
Solid shaft, with foot



Without centring (VBR)



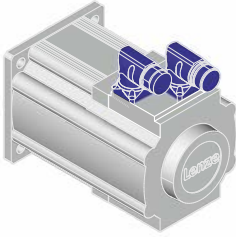
With centring (VAR)



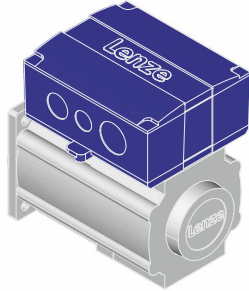
Flange with through holes (VAK)



Models at the output
Motor connection

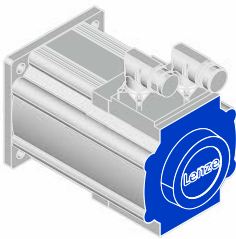


Connectors

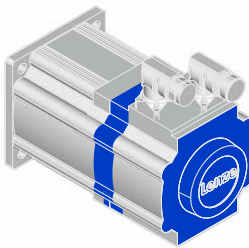


Terminal box

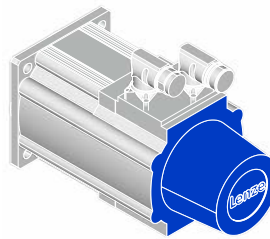
Cooling: self-ventilated



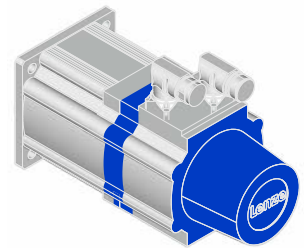
Resolver



Resolver and brake

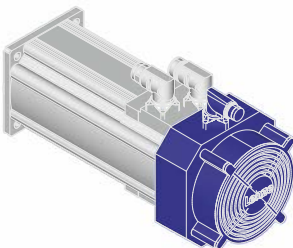


Absolute value/incremental
encoder

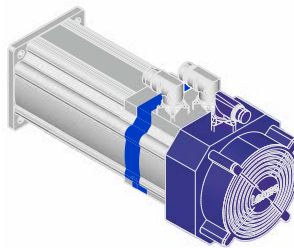


Absolute value/incremental
encoder and brake

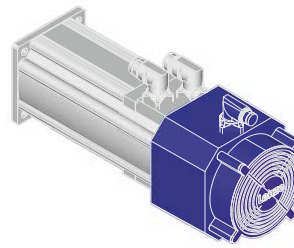
Cooling: forced ventilated



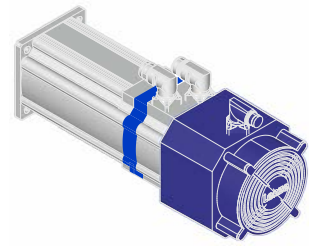
Resolver



Resolver and brake



Absolute value/incremental
encoder



Absolute value/incremental
encoder and brake

Product information

The modular system



Mounting positions

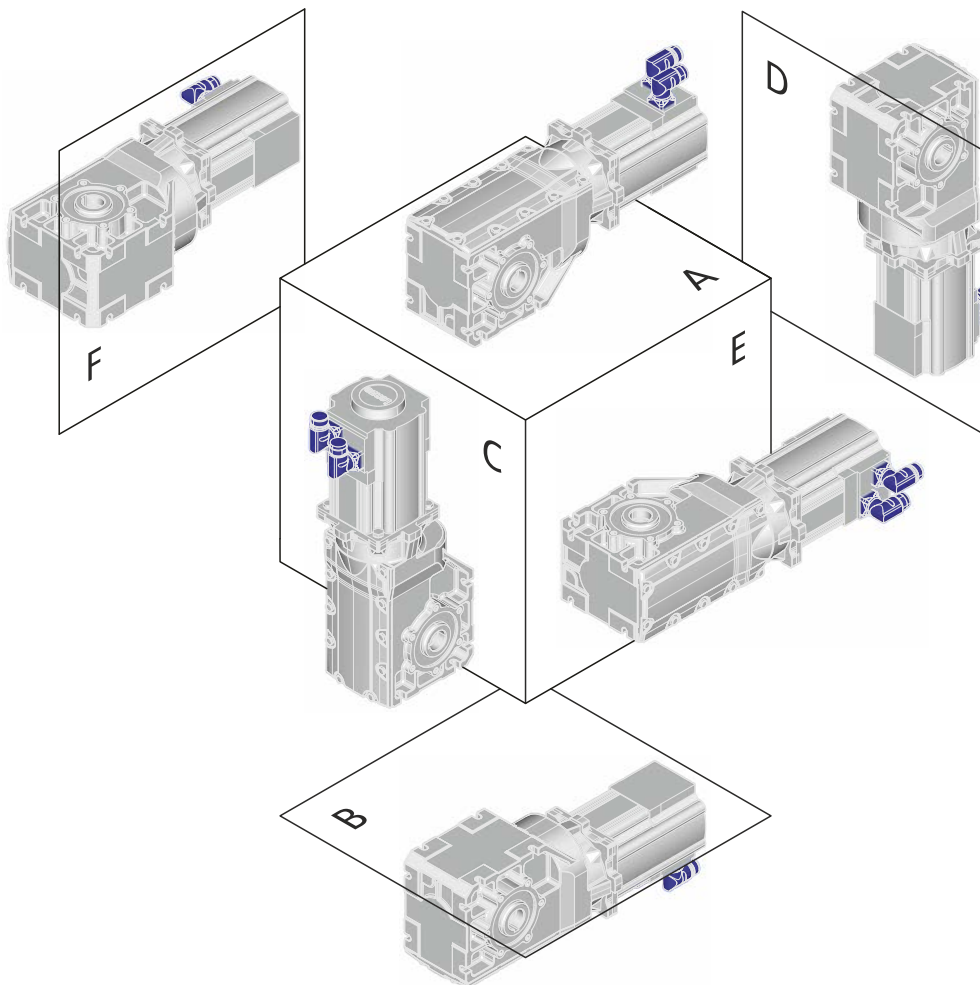
Geared motors

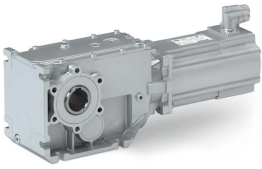


In the following graphics, the connector in position 2 is colour-coded. If the mounting position (A ... F) changes, the connector positions or terminal box positions (2 ... 5) are rotated accordingly.

To reduce the number of different versions, the gearboxes can also be ordered with combined mounting positions:

- g500-B45 in ABCDEF mounting position
- g500-B110 ... B450 in AEF mounting position

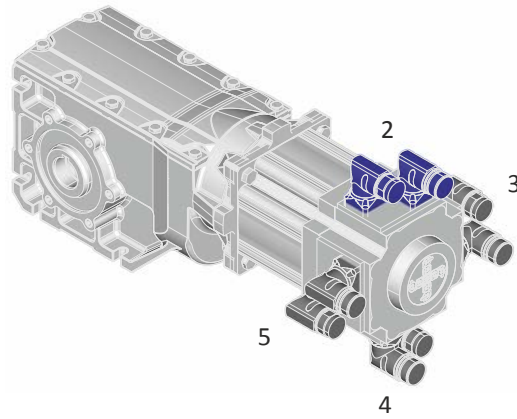




Connector/terminal box



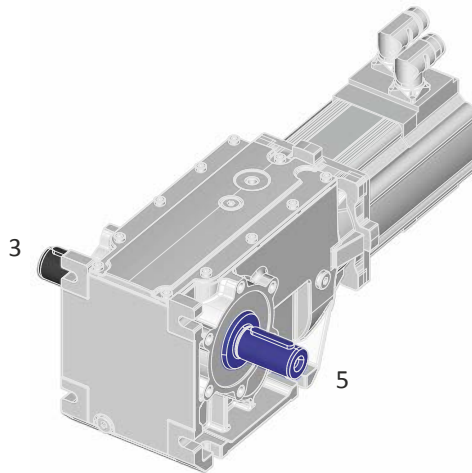
The connector or terminal box position (2 ... 5) must be given as a function of the mounting position.



Solid shafts

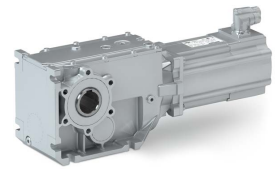


Please specify the shaft position 3 or 5 when ordering.



Product information

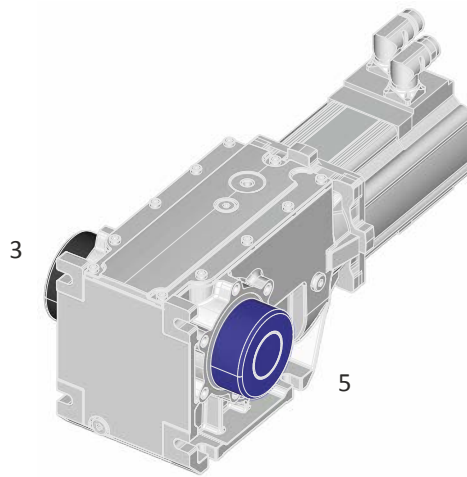
The modular system



Shrink discs



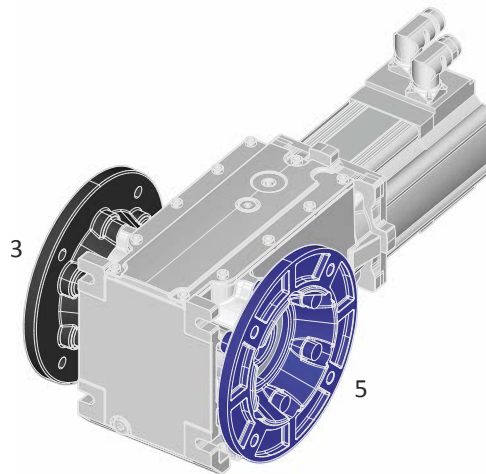
Please specify the shrink disc position 3 or 5 when ordering.
Flange and shrink disc are not possible in the same position.

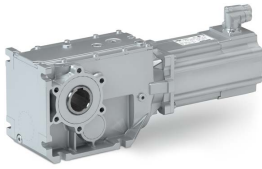


Flange



Please specify the flange position 3 or 5 when ordering.





Information on project planning

In order to carry out an accurate drive dimensioning process, you can use our configuring software, the Drive Solution Designer.

With the Drive Solution Designer you can carry out the drive dimensioning process quickly and with top quality. The software contains profound and proven expertise with regard to drive applications and mechatronic drive components.

Please refer to your competent Lenze sales company.

Information on project planning

Safety instructions
Foreseeable misuse



Safety instructions

Disregarding the following basic safety measures and safety information may lead to severe personal injury and damage to property!

Observe all specifications of the corresponding documentation supplied. This is the precondition for safe and trouble-free operation and for obtaining the product features specified.

Please observe the specific safety information in the other sections!

Basic safety instructions

Personnel

The product must only be used by qualified personnel. IEC 60364 or CENELEC HD 384 define the skills of these persons:

- They are familiar with installing, mounting, commissioning, and operating the product.
- They have the corresponding qualifications for their work.
- They know and can apply all regulations for the prevention of accidents, directives, and laws applicable at the place of use.

Process engineering

The procedural notes and circuit details described are only proposals. It is up to the user to check whether they can be adapted to the particular applications. Lenze does not take any responsibility for the suitability of the procedures and circuit proposals described.

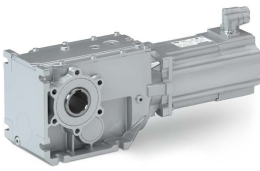
The procedural notes and circuit details described in this document are only proposals. It is up to the user to check whether they can be adapted to the particular applications. Lenze does not take any responsibility for the suitability of the procedures and circuit proposals described.

Application as directed

- The product must only be actuated under the operating conditions and power limits specified in this documentation.
- The product meets the protection requirements of 2014/35/EU: Low-Voltage Directive.
- The product is not a machine in terms of 2006/42/EC: Machinery Directive.
- Commissioning or starting the operation as directed of a machine with the product is not permitted until it has been ensured that the machine meets the regulations of the EC Directive 2006/42/EC: Machinery Directive; observe EN 60204-1.
- Commissioning or starting operation as directed is only permissible if the EMC Directive 2014/30/EU is complied with.
- The product is not a household appliance, but is only designed as a component for commercial or professional use in terms of EN 61000-3-2.
- The product can be used according to the technical data if drive systems have to comply with categories according to EN 61800-3.
- In residential areas, the product may cause EMC interferences. The operator is responsible for taking interference suppression measures.
- Do not use the built-in brakes as fail-safe brakes. Disruptive factors that cannot be influenced may cause the braking torque to be reduced.
- The product must only be actuated with inverters.

Foreseeable misuse

- Actuate directly on the mains voltage
- Use in potentially explosive areas
- Use in aggressive environments
- Use under water
- Use under radiation
- Use in generator mode



Residual hazards

Even if notes given are taken into consideration and protective measures are implemented, the occurrence of residual risks cannot be fully prevented.

The user must take the residual hazards mentioned into consideration in the risk assessment for his/her machine/system.

If the above is disregarded, this can lead to severe injuries to persons and damage to property!

Protection of persons

- The product does not provide safety-related functions.
 - A higher-level safety system must be implemented.
 - Additional monitoring and protective equipment complying with the safety regulations applicable in each case must be used.
- The power terminals may carry voltage in the switched-off state or when the motor is stopped.
 - Before working, check whether all power terminals are deenergised.
- Voltages may occur on the drive components (e.g. capacitive, caused by inverter supply).
 - Careful earthing in the marked positions of the components must be carried out.
- Risk of burns may be caused by hot surfaces!
 - Provide for a protection against accidental contact.
 - Use the personal protective equipment or wait until the components have cooled down completely!
 - Prevent contact with flammable substances.
- There is a risk of injury due to rotating parts.
 - Before working on the drive system, ensure that the motor is at a standstill.
- There is a danger of unintentional starting or electrical shocks!
- Installed brakes are no fail-safe brakes.
 - The torque may be reduced by disruptive factors that cannot be influenced such as ingressing oil.

Motor protection

- Design with plug:
 - Never disconnect the plug when energised! Otherwise, the plug can be destroyed.
 - Switch off power supply and disable inverter prior to disconnecting the plug.
- Installed thermal detectors are no full protection for the machine.
 - If required, limit the maximum current. Parameterise the inverter so that it will be switched off after seconds of operation with $I > I_{\text{rated}}$, especially if there is the danger of blocking.
 - The installed overload protection does not prevent an overload under any conditions.
- The fuses are no motor protection.
 - Use a current-dependent motor protection switch.
 - Use the built-in thermal detectors.
- Too high torques cause a fraction of the motor shaft.
 - The maximum torques according to catalogue must not be exceeded.
- Lateral forces from the motor shaft may occur.
 - Align the shafts of motor and driven machine exactly to each other.



Drive dimensioning

NOTICE

The dimensioning is suitable for the operating modes S1, S2, S3 and S6

The following 3 elements are taken into consideration in the dimensioning process :

Drive function

On the basis of the values required for the process that are specified, a drive is selected, for which all operating points are within the speed-torque characteristic curve of the motor.

As a result, a motor with a suitable speed with an inverter with a sufficient maximum current is selected. Further limits (maximum speed, installation height...) are specified in tables.

Mechanical strength

On the basis of the forces and torques which build, a drive is selected that has a sufficient mechanic strength (endurance strength for the periodically occurring torques and fatigue strength for the sporadically occurring torques).

Thermal dimensioning

For the inverter, the thermal dimensioning process is carried out on the basis of the continuous inverter current or on the basis of the continuous torque from the motor-inverter combination, which can be reached.

The motor is thermally dimensioned on the basis of the mean speed and the effective torque.

The thermal dimensioning of the gearbox is based on the medium speed and the permanent torque of the motor/gearbox combination. The thermal limit speed is to be understood as a recommendation.

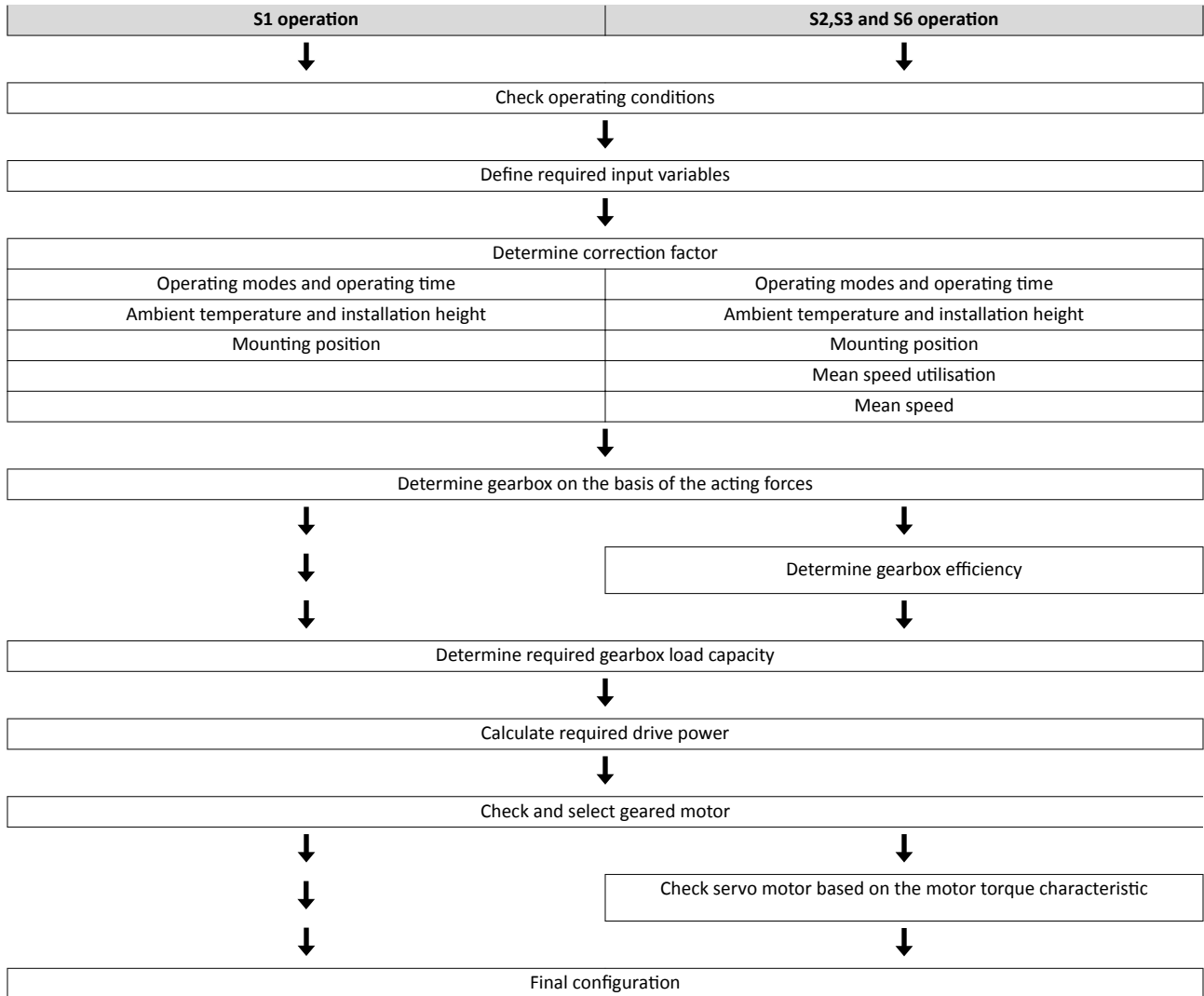
The mean speed of the drive should not exceed the values specified.



If dimensioning processes are complex or reach limit loads, please refer to your Lenze branch office



Operation chart



Check operating conditions

Check
Approvals Conformity declarations Supply voltage Enclosure Ambient temperature Surface protection

▶ [Conformities/approvals](#) 40

▶ [Environmental conditions](#) 28

Information on project planning

Drive dimensioning



Define required input variables

Necessary input variables	Note	Symbol	Unit
Operating time / day		BD	h
Mean speed utilisation of the geared motor	Relating to the load speed n_L		%
Ambient temperature		T_U	°C
Site altitude Amsl		H	m
Radial force		F_{rad}	N
Axial force		F_{ax}	N
Transmission element at the output	Gear wheels, sprockets ...		
Effective diameter of the transmission element		d_w	mm
Load torque	Only with S1, S2, S3, and S6 operating modes	M_L	Nm
Load speed	Only with S1, S2, S3, and S6 operating modes	n_L	rpm
Short-time maximum torque	Emergency off, quick stop, occasional high starting duty	$M_{L,max}$	Nm
Runtime with maximum torque		t_L	%

Determine correction factor

Operating modes S1, S2, S3, S6, and operating time							
Operating mode S1		Operating mode S2		Operating mode S3		Operating mode S6	
ED	k_L	ED	k_L	ED	k_L	ED	k_L
%		min		%		%	
100	1.0	10	1.4 - 1.5	15	1.4 - 1.5	15	1.5 - 1.6
		30	1.15 - 1.2	25	1.3 - 1.4	25	1.4 - 1.5
		60	1.07 - 1.1	40	1.15 - 1.2	40	1.3 - 1.4
		90	1.0 - 1.05	60	1.05 - 1.1	60	1.15 - 1.2

► Operating modes of the motor [372](#)

Ambient temperature and installation height			
Ambient temperature	Installation height amsl		
	< 1000 m		< 2000 m
	Correction factor		
T_U	k_H		k_H
≤ 20 °C	1.10		1.04
30 °C	1.05		1.00
40 °C	1.00		0.95
50 °C	0.80		0.76
60 °C	0.60		0.57

Mounting position						
Gearbox	Mounting position					
	A	B	C	D	E	F
	Correction factor					
k_E	k_E	k_E	k_E	k_E	k_E	k_E
g500-H	1.00	0.80	0.80	0.70	1.00	1.00
g500-S	1.00	0.80	0.85	0.70	0.90	0.80
g500-B	1.00	0.80	0.80	0.70	0.80	0.80

► Mounting positions [14](#)



Mean speed utilisation					
Daily operating time	Mean speed utilisation relating to the load speed n_L				
	100 %	80 %	60 %	50 %	25 %
	Correction factor				
	k_N	k_N	k_N	k_N	k_N
1.0 h	1.29	1.33	1.38	1.42	1.55
2.0 h	1.15	1.20	1.25	1.29	1.42
3.0 h	1.08	1.12	1.17	1.21	1.34
4.0 h	1.02	1.06	1.12	1.15	1.29
5.5 h	0.96	1.00	1.06	1.09	1.22
8.0 h	0.89	0.93	0.99	1.02	1.15
12.0 h	0.81	0.85	0.91	0.94	1.08
16.0 h	0.76	0.80	0.85	0.89	1.02
22.0 h	0.71	0.76	0.81	0.85	0.98
24.0 h	0.68	0.72	0.78	0.81	0.94

Mean speed					
Operating mode S2		Operating mode S3		Operating mode S6	
ED	k_M	ED	k_M	ED	k_M
min		%		%]	
10	0.16	15	0.15	15	1.00
30	0.50	25	0.25	25	
60	1.00	40	0.40	40	
90		60	0.60	60	

Determine product on the basis of the forces

Transmission element			Gear wheels	Sprockets	Toothed belt pulleys (depending on the pre-loading)	Narrow V-belt (depending on the preloading)
Additional radial force factor	f_z		≥ 17 teeth = 1.0	≥ 20 teeth = 1.0	With belt tightener= 2.0 - 2.5 Without belt tightener= 2.5 - 3.0	1.5 - 2.0
			< 17 teeth = 1.15	< 20 teeth = 1.25		
			< 13 teeth = 1.4			
			Calculation		Check	
Radial force	F_{rad}	N	$F_{rad} = 2000 \times \frac{M_{L,max} \times f_z}{dw}$		$F_{rad} \leq f_w \times F_{rad,max}$	
Axial force	F_{ax}	N	$F_{ax} \leq F_{rad,max} \times 0.5$			

dw Effective diameter of transmission element

► Radial forces and axial forces [49](#)

Max. gearbox output torque

Gearbox	Max. output torque	Gearbox	Max. output torque
	$M_{2,GN}$		$M_{2,GN}$
	Nm		Nm
g500-B45	≤ 45	g500-B820	≤ 820
g500-B110	≤ 110	g500-B1500	≤ 1500
g500-B240	≤ 240	g500-B2700	≤ 2700
g500-B450	≤ 450	g500-B4300	≤ 4300
g500-B600	≤ 600		

Information on project planning

Drive dimensioning



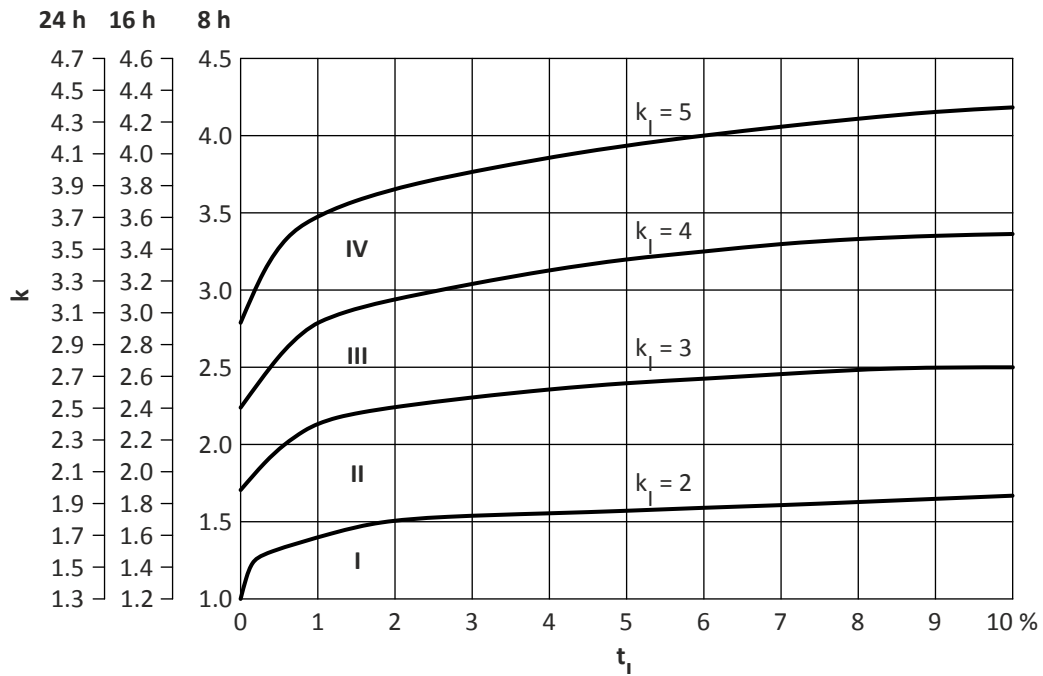
Determine gearbox efficiency

Gearbox	Gearbox efficiency	
	η_{c1}	
g500-B		
2-stage	0.96	
3-stage	0.95	

Determination of the required gearbox load capacity

Define the required load factor at runtime t_L		
Runtime $t_L \leq 10\%$	Take the load factor k from diagram into account	
Runtime $t_L > 10\%$	Take intensity k_I from calculation into account	
Calculate intensity		
no alternating load	$k_I = M_{L,max} / M_L$	$k_I =$
at alternating load	$k_I = M_{L,max} / M_L \times 1.4$	$k_I =$

Load factor k





Operating mode S1

Calculation of the required drive power			
	Calculation	Result	Unit
Output torque	$M_r \geq M_L / (k_L \times k_H)$	$M_r =$	Nm
Output speed	$n_r \geq n_L / k_E$	$n_r =$	rpm
Drive power	$P_r \geq M_r \times n_r / 9549$	$p_r =$	kW

Check geared servo motor and determine from the selection table			
	Check	Selection	Unit
Drive power	$P_1 \geq P_r$	$p_1 =$	kW
Output torque	$M_2 \geq M_L$	$M_2 =$	Nm
Output speed	$n_{2,th} \geq n_L$	$n_{2,th} =$	rpm
Load capacity of the geared motor	$c \geq k$ $c \geq k_1$	$c =$	
Short-time maximum torque			
no alternating load	$M_{2,max} \geq M_{L,max}$	$M_{2,max} =$	Nm
at alternating load	$M_{2,max} \times 1.5 \geq M_{L,max}$	$M_{2,max} =$	Nm
Ratio		$i =$	
Geared motor		g500-....	

► Selection tables [51](#)

Order data			
	Ratio i	Geared motor	
Example	4.600	g500-H100	MCS06C40
Example	4.600	g500-H100	MCA10I40



Operating modes S2, S3, and S6

Calculation of the required drive power			
	Calculation	Result	Unit
Output torque	$M_r \geq M_L / (k_L \times k_H)$	$M_r =$	Nm
Output speed	$n_r \geq (n_L \times k_M) / (k_E \times k_N)$	$n_r =$	rpm
Drive power	$P_r \geq M_r \times n_r / 9549$	$p_r =$	kW

Check geared servo motor and determine from the selection table			
	Check	Selection	Unit
Drive power	$P_1 \geq P_r$	$p_1 =$	kW
Output torque	$M_2 \geq M_L$	$M_2 =$	Nm
Output speed	$n_2 \geq n_L$	$n_2 =$	rpm
Load capacity of the geared motor	$c \geq k$ $c \geq k_1$	$c =$	
Short-time maximum torque			
no alternating load	$M_{2,max} \geq M_{L,max}$	$M_{2,max} =$	Nm
at alternating load	$M_{2,max} \times 1.5 \geq M_{L,max}$	$M_{2,max} =$	Nm
Ratio		$i =$	
Geared motor		g500-....	

▶ Selection tables [□ 51](#)

Check servo motor based on the motor torque characteristic		
Gearbox efficiency	$\eta_G = \eta_{c1} - (c - 1) \times 0.01$	$\eta_G =$
All operating points (●)		$i \times \eta_L$
Below the maximum torque characteristic of the servo motor-inverter combination, taking $M_{L,max}$ into consideration		$M_L / (i \times \eta_G)$
Thermally effective operating point (○)		$(i \times \eta_L \times k_M) / (k_E \times k_N)$
Below the S1 torque characteristic of the servo motor		$M_L / (k_L \times k_H \times i \times \eta_G)$

▶ Torque characteristics [□ 342](#)



Order data			
	Ratio i	Geared motor	
Example	4.600	g500-H100	MCS06C40
Example	4.600	g500-H100	MCA10I40



Final configuration

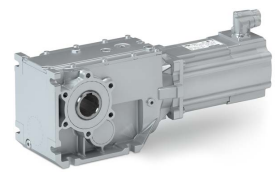
	Check
Connection dimensions	Output shaft Output flange/foot
Mounting position	Geared motor Connector/terminal box Driven shaft/output flange
Product extensions	Torque plate Shaft cover Connector/terminal box Brake Feedback Temperature monitoring

More information about the final configuration:

- ▶ [The modular system](#)  10
- ▶ [Product extensions](#)  301

Information on project planning

Final configuration
Environmental conditions



Environmental conditions

Surface and corrosion protection

Depending on the ambient conditions, the surface and corrosion protection system (called OKS) offers tailor-made solutions for optimum protection.

Various surface coatings ensure that the motors operate reliably even at high air humidity, in outdoor installation or in the presence of atmospheric impurities. Any colour from the "RAL Classic" collection can be chosen for the top coat.



The OKS-XL (extra Large) version requires a check by your responsible Lenze subsidiary.

Surface and corrosion protection	Applications	Product	
		g500-H45 ... H450 g500-S130 ... S660 g500-B45 ... B450	g500-H600 ... H3000 g500-S950 ... S4500 g500-B600 ... B4300
OKS-G (primed)	<ul style="list-style-type: none"> Dependent on subsequent top coat applied 	Standard	Standard
OKS-S (small)	<ul style="list-style-type: none"> Standard applications Internal installation in heated buildings Air humidity up to 90% 	Optional	Optional
OKS-M (medium)	<ul style="list-style-type: none"> Internal installation in non-heated buildings Covered, protected external installation Air humidity up to 95 % 	Optional	Optional
OKS-L (large)	<ul style="list-style-type: none"> External installation Air humidity above 95 % Chemical industrial plants Food industry 		
OKS-XL (extra Large)	<ul style="list-style-type: none"> External installation Air humidity above 95 % Chemical industrial plants Food industry Coastal areas with moderate salinity 		

Surface and corrosion protection	Corrosivity category	Surface coating	Colour	Coating thickness
	DIN EN ISO 12944-2	Design		
OKS-G (primed)		<ul style="list-style-type: none"> 2K PUR priming coat 	<ul style="list-style-type: none"> Standard: RAL 7012 Optional: RAL Classic 	60 ... 90 µm
OKS-S (small)	Comparable to C1	<ul style="list-style-type: none"> 2K-PUR top coat 		80 ... 120 µm
OKS-M (medium)	Comparable to C2	<ul style="list-style-type: none"> 2K PUR priming coat 2K-PUR top coat 		110 ... 160 µm
OKS-L (large)	Comparable to C3	<ul style="list-style-type: none"> 2K-PUR top coat 		140 ... 200 µm
OKS-XL (extra Large)	Comparable to C4	<ul style="list-style-type: none"> 2K-EP priming coat (two times) 2K-PUR top coat 		160 ... 240 µm



Lubricants



In case of ambient temperatures < -20 °C or > +40 °C, please contact your responsible Lenze sales company

The following gearboxes are lubricated for life:

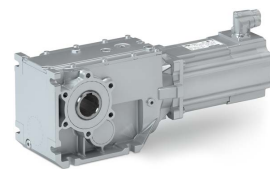
- g500-B45
- g500-B110
- g500-B240

Recommended lubricants:

Lubricant	CLP HC 220	CLP HC 320	CLP HC 220 USDA H1
Specification	Synthetic oil (polyalfaolefins basis)		
Changing interval			
Operating hours	25000	25000	16000
Not later than after	4 years	4 years	3 years
At an oil temperature of	70 ... 80 °C		
Fuchs	Renolin Unisyn CLP 220 XT 220	Renolin Unisyn CLP 320 XT 320	Cassida Fluid GL 220
Klüber	Klübersynth GEM4-220 N	Klübersynth GEM4-320 N	Klüberoil 4 UH1-220 N
Shell	Shell Omala S4 GX HD 220	Shell Omala S4 GX HD 320	

Information on project planning

Final configuration
Free spaces



Free spaces

Ventilation



No ventilation is required for the gearboxes g500-B45 ... B240.
The gearbox g500-B240 can be optionally ordered with breather elements.
From g500-B450 onwards, the gearboxes are supplied with breather elements as standard.

Gearbox in combined mounting position

To reduce the number of different versions, the gearboxes can also be ordered with combined mounting positions:

- g500-B45 in ABCDEF mounting position
- g500-B110 ... B450 in AEF mounting position



In these gearboxes, the lubricant amount has been optimised for the use in different mounting positions. If required, the breather elements are loosely enclosed and must be mounted before commissioning depending on the mounting position.

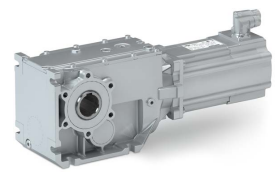


g500-B240

Mounting position A	Mounting position B	Mounting position C
Filling and ventilation		
Check		
Drain		

Information on project planning

Final configuration
Free spaces



Mounting position D	Mounting position E	Mounting position F
Filling and ventilation		
Check		
Drain		

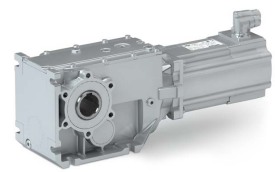


g500-B450

Mounting position A	Mounting position B	Mounting position C
Filling and ventilation		
Check		
Drain		

Information on project planning

Final configuration
Free spaces



Mounting position D	Mounting position E	Mounting position F
Filling and ventilation		
Check		
Drain		



g500-B600 ... B4300

Mounting position A	Mounting position B	Mounting position C
Filling and ventilation		
Check		
Drain		

- ① g500-B600
- ② g500-B820
- ③ g500-B1500
- ④ g500-B2700
- ⑤ g500-B4300

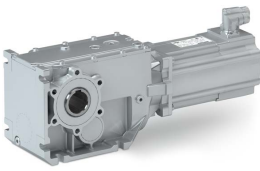
Information on project planning

Final configuration
Free spaces



Mounting position D	Mounting position E	Mounting position F
Filling and ventilation		
Check		
Drain		

- ① g500-B600
- ② g500-B820
- ③ g500-B1500
- ④ g500-B2700
- ⑤ g500-B4300



Information on mechanical installation

Important notes

- You must install the product according to specifications in the chapter "standard and operating" conditions.
 - ▶ [Standards and operating conditions](#) 40
- The technical data and the data regarding the supply conditions can be found on the nameplate and in this documentation.
- Observe the information relating to the surface and corrosion protection.
 - ▶ [Environmental conditions](#) 28
- Ambient media – especially chemically aggressive ones – may damage shaft sealing rings, lacquers and plastics. If required, contact your responsible Lenze subsidiary.

NOTICE

Bearing damage caused by unbalance!

Shafts with keyway are balanced with a half featherkey!

- ▶ Balance transmission elements with a half featherkey!

Transport

- Ensure appropriate handling.
- Make sure that all component parts are safely mounted. Secure or remove loose component parts.
- Only use safely fixed transport aids (e.g. eye bolts or support plates).
- Do not damage any components during the transport.
- Avoid electrostatic discharge on electronic components and contacts.
- Avoid impacts.
- Check the carrying capacity of the hoists and load handling devices. The weights can be obtained from the shipping documents.
- Secure the load against tipping and falling down.
- Standing under a suspended load is forbidden.

Installation

- Avoid resonances with the rotational frequency and double mains frequency.
- The mounting surfaces must be plane, torsionally rigid and free from vibrations.
- The mounting areas must be suited to absorb the forces and torques generated during operation.
- Ensure an unhindered ventilation.
- For versions with a fan, keep a minimum distance of 10 % from the outside diameter of the fan cover in intake direction.



Information on electrical installation

Important notes

DANGER!

Hazardous voltage!

On the power connections even when disconnected from the mains: residual voltage >60 V!

- ▶ Disconnect the product from the mains and wait until the motor is at a standstill.
- ▶ Make sure that the product is safely isolated from supply!

-
- When working on energised products, comply with the applicable national accident prevention regulations.
 - Carry out the electrical installation in compliance with the relevant regulations (e.g. cable cross-sections, fuses, PE connection).
 - The manufacturer of the system or machine is responsible for adherence to the limits required in connection with EMC legislation.

Preparation



The notes for the electrical connection can be found in the terminal box (if motors with a terminal box are used).
the connection plan (if motors with connectors are used).

EMC-compliant wiring



The EMC-compliant wiring is described in detail in the documentation of the Lenze inverters.



Technical data

Notes regarding the given data

Catalogue data

The power values, torques and speeds indicated in the catalogue are rounded values and apply to

- Operating time per day = 8 hrs (100 % ED)
- Duty class up to 10 switching operations per hr
- $T_U = 40\text{ °C}$
- Site altitude $\leq 1000\text{ m}$ above sea level
- The selection tables indicate the mechanically permissible power levels and torques.
- The ratings apply to the operating mode S1 (acc. to EN 60034).

NOTICE

In case of other operating conditions, the achievable values can differ for those mentioned.

- ▶ In case of extreme operating conditions, please contact your responsible Lenze sales company.

Thermal power limit

The thermal power limit, defined by the heat balance, limits the permissible permanent gearbox power. It is affected by:

- the churning losses in the lubricant. These are determined by the mounting position and the circumferential speed of the gears
- the load and the speed
- the ambient conditions: temperature, air circulation, input or dissipation of heat via shafts and the foundations.

NOTICE

A thermal check with the Drive Solution Designer (DSD) contacting the Lenze office responsible for you is required if

- ▶ the input speed $n_1 > 1500\text{ rpm}$ is exceeded in case of the gearbox ratios given in the following.
- ▶ The drive speeds given in the following are exceeded as a function of the mounting position. Temporarily up to 5 min, 30 % higher speeds are permissible.

Gearbox	Ratio i
g500-B1500 ... B4300	≤ 25

Motor	Mounting position A	Mounting position B, E, F	Mounting position C, D
MCS06 to 12	4000 r/min	3500 rpm	3000 r/min
MCS14 to 19	3000 r/min	2600 rpm	1500 r/min

Possible ways of extending the application area

- Shaft sealing ring made of FKM material/Viton (option)
- Reducing the lubricant amount (after consultation with Lenze)
- Cooling the geared motor by means of air convection on the machine/ system

Technical data

Standards and operating conditions
Environmental conditions



Standards and operating conditions

Conformities/approvals

Conformity		
CE	2014/35/EU	Low-Voltage Directive
	2014/30/EU	EMC Directive (reference: CE-typical drive system)
EAC	TR TC 004/2011	Eurasian conformity: safety of low voltage equipment
	TP TC 020/2011	Eurasian conformity: electromagnetic compatibility of technical means
Approval		
cURus	UL 1004-1 UL 1004-6	for USA and Canada (requirements of the CSA 22.2 No.100) Industrial Control Equipment, Lenze File No. E210321
UkrSepro		for Ukraine

Protection of persons and device protection

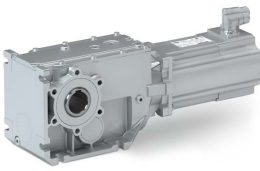
Enclosure		
IP54	EN 60034-5	Self-ventilated: MCS06 ... MCS19
		Forced ventilated: MCS12 ... MCS19
IP65	EN 60034-5	Self-ventilated: MCS06 ... MCS19
Temperature class		
F (155 °C)	EN 60034-1	
Max. voltage load		
Limit curve A	IEC/TS 60034-25:2007	
IVIC C/B/B@500V	IEC 60034-18-41	

EMC data

Noise emission	EN 60034-1	A final overall assessment of the drive system is indispensable
Noise immunity	EN 60034-1	A final overall assessment of the drive system is indispensable

Environmental conditions

Climate		
1K3 (-20 °C ... +60 °C)	EN 60721-3-1	Storage, < 3 months
1K3 (-20 °C ... +40 °C)	EN 60721-3-1	Storage, > 3 months
2K3 (-20 °C ... +70 °C)	EN 60721-3-2	Transport
3K3 (0 °C ... +40 °C)	EN 60721-3-3	operation
Site altitude		
0 ... 1000 m a.m.s.l.		Without power reduction
1000 ... 4000 m a.m.s.l.		Reduce rated output current by 5 %/1000 m



Data overview

The following tables contain the most important data of the gearbox with the attachable motors of a geared motor.

The data given for speed, torque and power are valid if the

- input speed $n_1 = 1400$ rpm
- Application factor $c = 1.0$

The data for the max. radial force refer to

- Gearbox design: Solid shaft without flange
- output shaft bearing: normal bearing
- Application factor $c = 1.3$

Further designs ▶ [Radial forces and axial forces](#) 49

In order to calculate the exact ratio, the number of teeth z_g (driven) can be divided by the number of teeth z_t (driving). These are rounded values.



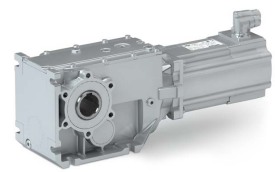
The rated torque can be gathered from the last digits of the product name e.g. g500-B110 (110 Nm).

g500-B45, 2-stage

Output speed	Max. output torque	Max. drive power	Ratio	Number of teeth		Max. radial force	Backlash		Rated power	
				z_g	z_t		Standard	Motor		
n_2	$M_{2,max}$	$P_{1,max}$	i			$F_{rad,max}$	$\pm 20\%$			
rpm	Nm	kW				N	arcmin	kW	kW	
259	39	1.11	5.411	1120	207	2080	27	0.51	0.64	
225	41	1.00	6.222	56	9	2180	26	0.51	0.64	
197	43	0.93	7.111	64	9	2280	26	0.51	0.64	
171	44	0.83	8.178	368	45	2360	25	0.51	0.64	
154	45	0.76	9.101	1720	189	2440	25	0.51	0.64	
134	45	0.66	10.466	1978	189	2580	24	0.25	0.64	
120	45	0.60	11.640	2200	189	2660	24	0.25	0.64	
105	45	0.52	13.386	2530	189	2770	23	0.25	0.64	
93	45	0.46	15.111	136	9	2840	24	0.25	0.64	
81	45	0.40	17.378	782	45	2900	23	0.25	0.64	
72	45	0.36	19.365	1220	63	2950	24	0.25	0.64	
63	45	0.31	22.270	1403	63	3000	23	0.25	0.64	
56	45	0.28	25.051	2480	99	3000	23	0.25	0.64	
49	45	0.24	28.808	2852	99	3000	22	0.25	0.51	
43	45	0.21	32.593	880	27	3000	23	0.25	0.25	
37	45	0.19	37.481	1012	27	3000	23	0.25	0.25	

Technical data

Data overview



g500-B110, 2-stage

Output speed	Max. output torque	Max. drive power	Ratio	Number of teeth		Max. radial force	Backlash	Rated power	
							Standard	Motor	
n_2	$M_{2,max}$	$P_{1,max}$	i	z_g	z_t	$F_{rad,max}$			
							$\pm 20\%$		
rpm	Nm	kW				N	arcmin	kW	kW
270	69	2.05	5.185	140	27	2450	21	1.00	1.90
235	72	1.86	5.963	161	27	2530	21	1.00	1.90
197	77	1.67	7.111	64	9	2620	20	0.64	1.90
171	81	1.53	8.178	368	45	2670	20	0.64	1.90
154	84	1.42	9.101	1720	189	2730	20	0.51	1.90
134	89	1.31	10.466	1978	189	2830	20	0.51	1.90
122	90	1.21	11.449	2576	225	2890	20	0.51	1.90
110	90	1.09	12.698	800	63	2950	20	0.51	1.90
96	90	0.95	14.603	920	63	3000	20	0.51	1.90
90	92	0.91	15.556	140	9	3000	20	0.51	1.60
78	96	0.83	17.889	161	9	3000	20	0.51	1.60
72	100	0.79	19.556	176	9	3000	20	0.51	0.64
62	104	0.71	22.489	1012	45	3000	19	0.25	0.64
56	108	0.66	25.185	680	27	3000	20	0.25	0.64
48	110	0.59	28.963	782	27	3000	19	0.25	0.64
37	106	0.44	37.400	187	5	3000	19	0.25	0.64
29	110	0.35	48.167	289	6	3000	18	0.25	0.64

g500-B240, 2-stage

Output speed	Max. output torque	Max. drive power	Ratio	Number of teeth		Max. radial force	Backlash	Rated power	
							Standard	Motor	
n_2	$M_{2,max}$	$P_{1,max}$	i	z_g	z_t	$F_{rad,max}$			
							$\pm 20\%$		
rpm	Nm	kW				N	arcmin	kW	kW
393	138	5.97	3.565	385	108	3030	17	1.20	5.70
286	147	4.64	4.889	44	9	3450	17	1.10	5.70
224	156	3.85	6.257	2365	378	3860	17	1.10	5.70
203	179	4.01	6.883	413	60	4070	13	1.10	5.70
179	187	3.69	7.817	469	60	4300	13	1.10	5.70
148	191	3.12	9.440	236	25	4600	13	1.10	5.70
131	204	2.94	10.720	268	25	4740	13	1.10	5.70
116	208	2.66	12.081	2537	210	4860	13	1.00	4.70
102	217	2.44	13.719	2881	210	4980	13	1.00	4.70
93	223	2.29	15.008	1876	125	5180	13	1.00	4.70
83	240	2.20	16.857	118	7	5440	13	1.00	3.70
73	240	1.93	19.143	134	7	5710	12	1.00	2.80
68	240	1.79	20.650	413	20	5860	13	0.64	2.80
60	240	1.58	23.450	469	20	6070	12	0.64	2.80
52	240	1.38	26.878	2419	90	6230	13	0.51	1.90
46	240	1.21	30.522	2747	90	6370	12	0.51	1.90
42	240	1.11	33.433	1003	30	6500	13	0.51	1.90
37	240	0.98	37.967	1139	30	6500	12	0.51	1.90
32	240	0.86	43.267	649	15	6500	12	0.51	0.64
29	240	0.75	49.133	737	15	6500	12	0.51	0.64
27	233	0.68	52.510	5251	100	6500	12	0.51	0.64
24	240	0.62	59.630	5963	100	6500	12	0.25	0.64



g500-B240, 3-stage

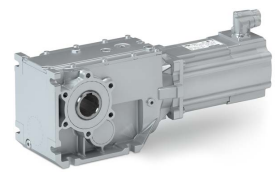
Output speed	Max. output torque	Max. drive power	Ratio	Number of teeth		Max. radial force	Backlash	Rated power	
				z_g	z_t		Standard	Motor	
n_2	$M_{2,max}$	$P_{1,max}$	i	z_g	z_t	$F_{rad,max}$			
							$\pm 20\%$		
rpm	Nm	kW				N	arcmin	kW	kW
21	240	0.56	68.459	43129	630	6500	13	0.25	1.20
18	240	0.49	77.741	48977	630	6500	13	0.25	1.00
16	240	0.43	87.563	11033	126	6500	13	0.25	0.64
14	240	0.38	99.437	12529	126	6500	13	0.25	0.64
12	240	0.33	113.673	17051	150	6500	13	0.25	0.64
11	240	0.29	129.087	19363	150	6500	13	0.25	0.64

g500-B450, 3-stage

Output speed	Max. output torque	Max. drive power	Ratio	Number of teeth		Max. radial force	Backlash	Rated power	
				z_g	z_t		Standard	Motor	
n_2	$M_{2,max}$	$P_{1,max}$	i	z_g	z_t	$F_{rad,max}$			
							$\pm 20\%$		
rpm	Nm	kW				N	arcmin	kW	kW
280	280	8.64	5.002	2401	480	3760	21	1.60	9.10
204	308	6.93	6.860	343	50	4030	21	1.20	9.10
150	368	6.10	9.315	3577	384	4370	15	1.20	9.10
136	384	5.74	10.328	2107	204	4500	14	1.20	8.00
110	404	4.88	12.775	511	40	4830	15	1.10	8.00
99	422	4.60	14.165	1204	85	5010	14	1.10	7.10
86	434	4.10	16.349	3139	192	5280	15	1.10	7.10
78	446	3.85	17.885	3577	200	5470	15	1.10	6.00
71	450	3.50	19.831	8428	425	5710	14	1.10	5.80
61	450	3.04	22.813	365	16	6060	15	1.10	5.70
55	450	2.75	25.294	430	17	6340	14	1.00	4.70
50	450	2.49	27.945	3577	128	6640	15	0.64	4.70
45	450	2.24	30.985	2107	68	6960	14	0.64	3.70
39	450	1.91	36.373	20951	576	7520	14	0.51	1.90
35	450	1.72	40.330	12341	306	7800	14	0.64	1.90
31	450	1.54	45.245	8687	192	7800	14	0.51	1.90
28	450	1.38	50.167	301	6	7800	14	0.51	1.90
25	450	1.24	56.154	730	13	7800	13	0.51	2.20
23	450	1.12	62.262	13760	221	7800	12	0.51	2.20
20	450	1.01	68.788	3577	52	7800	13	0.51	1.90
18	450	0.91	76.271	16856	221	7800	12	0.51	1.90
16	450	0.78	89.534	20951	234	7800	13	0.51	1.60
14	450	0.70	99.274	197456	1989	7800	12	0.51	1.60
13	450	0.62	111.372	8687	78	7800	13	0.51	1.60
11	450	0.56	123.487	4816	39	7800	12	0.25	1.20
10	450	0.48	144.128	5621	39	7800	13	0.25	0.64
9	450	0.43	159.807	105952	663	7800	12	0.25	0.64
8	450	0.40	174.919	45479	260	7800	13	0.25	0.64
7	450	0.36	193.948	214312	1105	7800	12	0.25	0.64

Technical data

Data overview



g500-B600, 3-stage

Output speed	Max. output torque	Max. drive power	Ratio	Number of teeth		Max. radial force	Backlash	Rated power	
				z_g	z_t		Standard	Motor	
n_2	$M_{2,max}$	$P_{1,max}$	i	z_g	z_t	$F_{rad,max}$	$\pm 20\%$		
rpm	Nm	kW				N	arcmin	kW	kW
276	376	11.45	5.067	6293	1242	4600	21	1.60	9.10
202	398	8.84	6.949	7192	1035	5000	19	1.60	9.10
184	462	9.36	7.617	15631	2052	5100	17	1.60	9.10
130	542	7.78	10.741	290	27	5600	15	1.45	9.10
105	553	6.38	13.369	13717	1026	6500	17	1.20	9.10
95	600	6.29	14.730	928	63	6900	14	1.20	9.10
74	600	4.91	18.851	24940	1323	7500	14	1.10	8.00
68	600	4.49	20.622	928	45	7800	14	1.10	7.10
61	600	4.05	22.852	15631	684	8100	16	1.10	7.10
55	600	3.65	25.347	2408	95	8300	14	1.10	5.80
54	600	3.55	26.061	860	33	8400	13	1.10	5.80
47	600	3.11	29.744	91553	3078	8700	16	0.64	5.70
43	600	2.85	32.439	1849	57	8900	14	1.10	5.70
39	600	2.59	35.740	2752	77	9000	13	1.10	4.70
38	600	2.50	36.999	37961	1026	9000	16	0.51	4.70
33	600	2.21	41.940	23780	567	9000	14	1.00	4.70
31	600	2.02	45.739	73960	1617	9000	13	1.00	4.70
28	600	1.85	50.036	2752	55	9000	13	1.00	3.70
25	600	1.67	55.447	2107	38	9000	14	1.00	2.80
22	600	1.45	63.822	34400	539	9000	13	0.64	2.80
21	600	1.37	67.513	12760	189	9000	14	0.51	1.90
19	600	1.28	72.170	12341	171	9000	14	0.51	2.20
18	600	1.18	78.182	860	11	9000	13	1.00	2.20
17	600	1.13	81.937	5162	63	9000	14	0.51	1.90
16	600	1.03	89.772	5117	57	9000	14	0.51	2.20
14	600	0.91	101.760	70520	693	9000	13	0.51	1.90
12	600	0.80	116.175	6622	57	9000	14	0.51	1.90
11	600	0.73	126.580	29240	231	9000	12	0.51	1.90
10	600	0.66	140.995	26789	190	9000	14	0.51	1.60
9	600	0.57	163.810	3440	21	9000	12	0.25	1.20
8	600	0.52	178.224	13545	76	9000	14	0.25	0.64
7	600	0.47	198.805	15308	77	9000	12	0.25	1.00
6	600	0.37	251.299	19350	77	9000	12	0.25	0.64

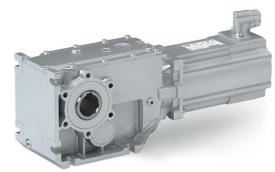


g500-B820, 3-stage

Output speed	Max. output torque	Max. drive power	Ratio	Number of teeth		Max. radial force	Backlash	Rated power	
							Standard	Motor	
n_2	$M_{2,max}$	$P_{1,max}$	i	z_g	z_t	$F_{rad,max}$			
							± 20 %		
rpm	Nm	kW				N	arcmin	kW	kW
282	312	9.71	4.958	119	24	9800	21	1.60	9.10
206	391	8.88	6.800	34	5	10200	20	1.60	9.10
184	424	8.60	7.618	259	34	10700	17	1.60	9.10
164	459	8.32	8.517	511	60	11000	16	1.60	9.10
147	496	8.04	9.520	238	25	11000	20	1.20	9.10
134	528	7.81	10.447	888	85	11000	16	1.45	9.10
120	569	7.52	11.680	292	25	11000	15	1.45	9.10
115	544	6.92	12.143	85	7	11000	19	1.10	9.10
105	619	7.15	13.370	1591	119	11000	16	1.20	9.10
96	653	6.89	14.626	6216	425	11000	16	1.20	9.10
86	708	6.68	16.352	2044	125	11000	16	1.20	9.10
75	747	6.18	18.655	2220	119	11000	16	1.10	9.10
67	820	6.07	20.857	146	7	11000	16	1.10	9.10
61	820	5.54	22.853	777	34	11000	15	1.10	8.00
55	820	4.95	25.550	511	20	11000	15	1.10	8.00
53	820	4.81	26.324	8687	330	11000	12	1.10	8.00
47	820	4.25	29.745	1517	51	11000	15	0.64	7.10
43	820	3.92	32.291	1776	55	11000	13	1.10	6.00
39	820	3.51	36.102	9928	275	11000	14	1.10	5.80
38	654	2.73	37.000	37	1	11000	12	0.51	4.70
34	820	3.06	41.325	3182	77	11000	13	1.10	5.80
31	820	2.80	45.207	12432	275	11000	13	1.10	5.70
28	820	2.50	50.543	69496	1375	11000	12	1.10	5.70
24	820	2.19	57.662	4440	77	11000	13	1.00	4.70
22	820	1.96	64.468	4964	77	11000	12	1.00	3.70
20	820	1.79	70.636	777	11	11000	13	1.00	3.70
18	820	1.60	78.973	8687	110	11000	12	1.00	2.80
15	820	1.38	91.939	3034	33	11000	13	0.64	2.80
14	820	1.23	102.790	50881	495	11000	12	0.51	2.20
12	820	1.11	114.364	1258	11	11000	13	0.51	2.20
11	820	0.99	127.861	21097	165	11000	12	0.51	2.20
10	820	0.86	148.000	148	1	11000	13	0.51	1.90
9	820	0.76	165.467	2482	15	11000	12	0.51	1.90
8	820	0.70	179.618	9879	55	11000	13	0.51	1.60
7	820	0.63	200.816	110449	550	11000	12	0.51	1.60
6	820	0.56	227.045	4995	22	11000	12	0.25	0.64
6	820	0.50	253.841	11169	44	11000	12	0.25	0.64

Technical data

Data overview



g500-B1500, 3-stage

Output speed	Max. output torque	Max. drive power	Ratio	Number of teeth		Max. radial force	Backlash	Rated power	
				z_g	z_t		Standard	Motor	
n_2	$M_{2,max}$	$P_{1,max}$	i	z_g	z_t	$F_{rad,max}$	$\pm 20\%$		
rpm	Nm	kW				N	arcmin	kW	kW
204	837	18.82	6.866	1792	261	12000	16	3.00	15.80
147	1006	16.32	9.516	1456	153	13000	15	2.50	15.80
128	1330	18.83	10.902	36992	3393	14000	12	3.00	15.80
117	1461	18.82	11.985	3128	261	15000	12	3.00	15.80
107	1118	13.15	13.118	50176	3825	15500	15	1.60	15.80
93	1500	15.32	15.111	136	9	16000	12	2.50	15.80
84	1500	13.94	16.611	299	18	16000	11	2.50	15.80
75	1500	12.45	18.598	2176	117	16000	12	1.60	15.80
69	1500	11.32	20.444	184	9	16000	11	1.60	15.80
61	1500	10.11	22.898	5152	225	16000	11	1.60	15.80
58	1500	9.66	23.973	99416	4147	16000	11	1.70	15.80
53	1500	8.79	26.353	16813	638	16000	10	1.70	10.00
48	1500	7.93	29.206	1840	63	16000	11	1.20	9.10
43	1500	7.11	32.547	3808	117	16000	11	1.10	9.10
39	1500	6.47	35.778	322	9	16000	11	1.10	9.10
38	1500	6.34	36.526	12857	352	16000	10	1.45	10.00
34	1500	5.66	40.895	5848	143	16000	11	1.20	10.00
31	1500	5.15	44.955	989	22	16000	10	1.20	9.10
30	1500	4.97	46.568	3772	81	16000	11	1.10	8.00
27	1500	4.46	51.920	18224	351	16000	11	1.10	8.00
25	1500	4.06	57.074	1541	27	16000	11	1.10	7.10
24	1500	3.96	58.422	58480	1001	16000	10	1.10	7.10
22	1500	3.61	64.221	4945	77	16000	10	1.10	7.10
20	1500	3.24	71.566	10234	143	16000	10	1.10	5.80
19	1318	2.71	74.963	2024	27	16000	11	1.00	5.70
17	1213	2.26	82.762	48416	585	16000	11	1.00	4.70
15	1333	2.26	90.978	4094	45	16000	11	1.00	4.70
15	1500	2.49	93.150	119884	1287	16000	10	1.10	5.70
14	1500	2.26	102.396	40549	396	16000	10	1.00	4.70
12	1500	2.03	114.166	48977	429	16000	10	1.00	4.70
11	1500	1.84	125.498	66263	528	16000	10	1.00	4.70
9	1500	1.54	149.949	5848	39	16000	10	1.00	2.80
9	1500	1.40	164.833	989	6	16000	10	1.00	2.80
8	1500	1.27	181.983	130118	715	16000	10	1.00	2.80
7	1500	1.16	200.048	88021	440	16000	10	1.00	2.20
6	1500	1.01	230.035	32895	143	16000	10	1.00	1.90
6	1500	0.92	252.869	44505	176	16000	10	1.00	1.90

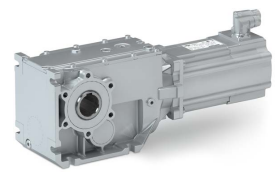


g500-B2700, 3-stage

Output speed	Max. output torque	Max. drive power	Ratio	Number of teeth		Max. radial force	Backlash	Rated power	
							Standard	Motor	
n_2	$M_{2,max}$	$P_{1,max}$	i	z_g	z_t	$F_{rad,max}$			
							± 20 %		
rpm	Nm	kW				N	arcmin	kW	kW
202	1328	29.64	6.918	28917	4180	13000	15	4.80	15.80
159	1514	26.58	8.793	41769	4750	14000	14	4.80	15.80
120	2212	29.15	11.713	2448	209	16000	10	4.80	15.80
109	2262	27.14	12.863	18819	1463	16500	10	4.80	15.80
94	2380	24.67	14.888	7072	475	17000	10	4.80	15.80
86	2429	22.93	16.351	54366	3325	18000	9	4.00	15.80
72	2579	20.37	19.542	23392	1197	19000	10	3.00	15.80
63	2684	18.60	22.269	3808	171	20100	10	2.50	15.80
57	2700	17.04	24.456	1394	57	20500	9	2.50	15.80
52	2700	15.54	26.814	32096	1197	21000	10	1.60	15.80
48	2700	14.15	29.447	82246	2793	21500	9	1.60	15.80
43	2700	12.68	32.873	16864	513	22000	10	1.70	15.80
39	2700	11.54	36.102	43214	1197	22700	9	1.70	15.80
33	2700	9.74	42.772	8084	189	23000	9	1.70	15.80
30	2700	8.87	46.973	82861	1764	24000	8	1.70	15.80
29	2460	7.76	48.912	2788	57	25000	9	1.20	9.10
26	2327	6.64	54.082	9248	171	26000	10	1.10	9.10
24	2556	6.64	59.393	23698	399	27500	9	1.10	9.10
22	2700	6.47	64.452	113693	1764	27500	8	1.45	10.00
20	2700	5.79	71.951	5828	81	27500	9	1.45	10.00
18	2650	5.32	76.862	30668	399	27500	9	1.10	9.10
17	2441	4.44	84.940	24208	285	27500	10	1.10	8.00
15	2681	4.44	93.283	62033	665	27500	9	1.10	8.00
14	2700	4.28	97.481	2632	27	27500	9	1.10	8.00
13	2700	3.89	107.056	1927	18	27500	8	1.10	7.10
12	2700	3.52	118.370	3196	27	27500	9	1.10	7.10
11	2700	3.21	129.996	32759	252	27500	8	1.10	7.10
9	2700	2.72	153.185	4136	27	27500	9	1.10	5.80
8	2700	2.48	168.230	21197	126	27500	8	1.10	5.70
8	2700	2.24	185.911	8366	45	27500	9	1.10	5.70
7	2700	2.04	204.170	171503	840	27500	8	1.10	4.70
6	2700	1.77	235.000	235	1	27500	9	1.10	3.70
5	2700	1.61	258.080	28905	112	27500	8	1.10	3.70

Technical data

Data overview



g500-B4300, 3-stage

Output speed	Max. output torque	Max. drive power	Ratio	Number of teeth		Max. radial force	Backlash	Rated power	
				z_g	z_t		Standard	Motor	
n_2	$M_{2,max}$	$P_{1,max}$	i	z_g	z_t	$F_{rad,max}$	$\pm 20\%$		
rpm	Nm	kW				N	arcmin	kW	kW
255	1054	29.64	5.488	1147	209	13200	14	4.80	15.80
201	1201	26.58	6.976	29822	4275	14000	14	4.80	15.80
153	1329	22.40	9.156	98642	10773	15100	14	3.00	15.80
138	1947	29.64	10.137	67797	6688	15500	9	4.80	15.80
126	2128	29.64	11.080	23157	2090	16000	9	4.80	15.80
109	2219	26.58	12.885	97929	7600	16800	9	4.80	15.80
99	2425	26.58	14.084	33449	2375	17300	9	4.80	15.80
83	2455	22.40	16.913	35991	2128	18600	9	3.00	15.80
76	2683	22.40	18.486	110639	5985	19300	9	3.00	15.80
67	2799	20.51	21.065	18011	855	20400	9	2.50	15.80
60	2702	17.97	23.206	49383	2128	21200	9	1.60	15.80
55	2954	17.97	25.365	151807	5985	22100	9	1.60	15.80
50	4300	23.69	28.013	2241	80	23100	8	4.00	15.80
45	3110	15.44	31.097	79763	2565	24300	9	1.70	15.80
39	4300	18.64	35.607	35607	1000	25900	8	4.00	15.80
36	1938	7.76	38.546	5859	152	26900	9	1.10	9.10
33	4300	15.52	42.760	38313	896	28300	8	3.00	15.80
30	4300	14.20	46.737	39259	840	29500	8	3.00	15.80
26	4300	12.46	53.258	6391	120	31500	8	2.50	15.80
24	4300	11.31	58.671	52569	896	33000	8	1.60	15.80
22	4300	10.35	64.127	53867	840	34400	8	1.60	15.80
20	4300	9.23	71.930	9207	128	36400	8	1.70	15.80
18	4300	8.44	78.619	28303	360	37900	8	1.70	15.10
14	4300	6.81	97.453	6237	64	40000	8	1.20	9.10
13	4300	6.23	106.517	6391	60	40000	8	1.20	9.10
12	4300	5.61	118.336	15147	128	40000	8	1.10	9.10
11	4300	5.13	129.342	15521	120	40000	8	1.10	9.10
9	4300	4.33	153.141	9801	64	40000	8	1.10	8.00
8	4300	3.97	167.383	10043	60	40000	8	1.10	8.00
8	4300	3.57	185.857	237897	1280	40000	8	1.10	7.10
7	4300	3.27	203.143	81257	400	40000	8	1.10	7.10
6	3475	2.28	234.932	120285	512	40000	8	1.10	5.70
6	3798	2.28	256.781	8217	32	40000	8	1.10	5.70



Radial forces and axial forces

Permissible radial force

The calculation of the permissible radial force must take account of the additional load factor f_w .

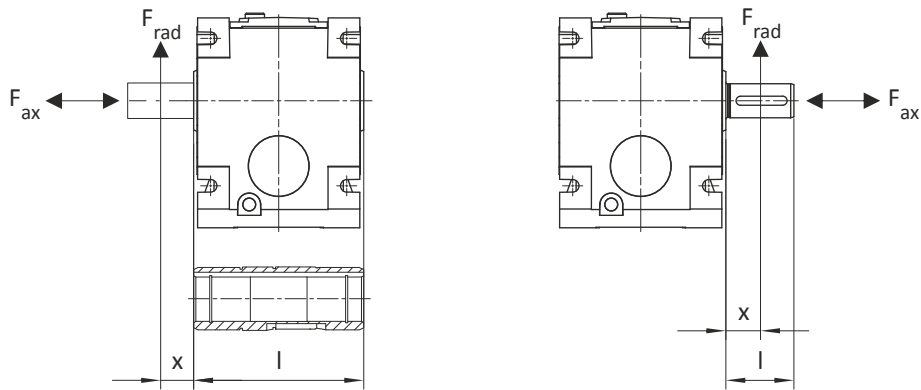
$$F_{rad, perm} = f_w \times F_{rad, max}$$

Permissible axial force

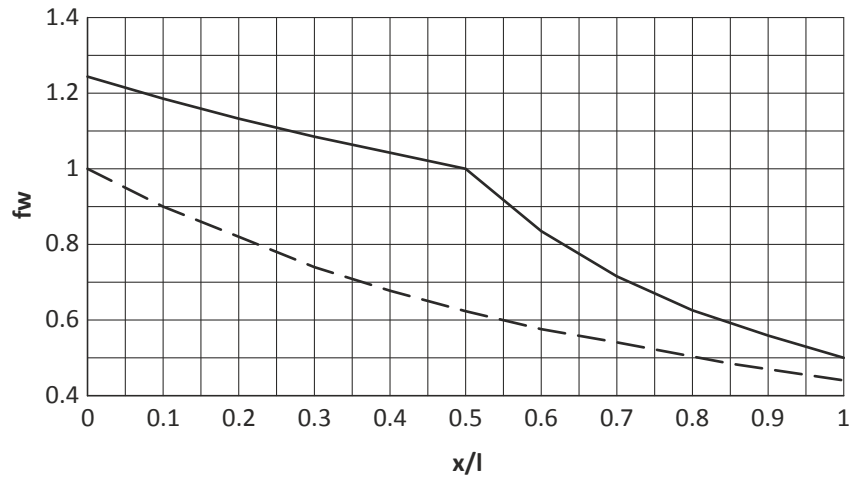
If there is no radial force, the maximum axial force is 50% of the value in the table $F_{rad, max}$

$$F_{ax, zul} = 0.5 \times F_{rad, max}$$

Application of forces



Additional load factor f_w on the drive shaft



— Solid shaft
- - - Hollow shaft

Technical data

Radial forces and axial forces



The values given in the tables refer to the centre shaft end force application point and are minimum values calculated according to the most unfavourable conditions (force application angle, mounting position, direction of rotation). The values were calculated with a load capacity of $c=1.3$ and an input speed of 1400 rpm.



In case of different operating conditions, considerably higher forces can be transmitted. Please contact Lenze.



A hollow shaft with shrink disc (SAR/SBR/SDR/SAK) requires a check by Lenze.

Max. radial force, gearbox with hollow shaft (HAR/HBR/HAK)

Gearbox	Output speed n_2 [rpm]									
	1000	630	400	250	160	100	63	40	25	≤ 16
	Max. radial force $F_{rad,max}$ [N]									
g500-B45	900	1200	2200	2500	2800	3000	3000	3000	3000	3000
g500-B110	1000	2200	2600	3000	3300	3600	3600	3600	3600	3600
g500-B240	1500	2300	3800	4500	5100	6200	7400	7800	7800	7800
g500-B450	3000	3800	4500	5200	5200	5500	7000	9000	9000	9000
g500-B600	3500	4000	4700	5400	5600	6000	8000	9400	9500	9500
g500-B820	4000	4200	5400	5800	6000	7000	9000	9800	10200	10200
g500-B1500	3700	5000	6000	7000	8000	9000	10500	13000	16000	16000
g500-B2700	4400	5700	7000	8200	9400	10600	12200	15000	18000	21900
g500-B4300	5000	6600	8000	9000	10500	12000	15500	21000	27900	35100

Max. radial force, gearbox with solid shaft, without flange (VAR/VBR)

Gearbox	Output speed n_2 [rpm]									
	1000	630	400	250	160	100	63	40	25	≤ 16
	Max. radial force $F_{rad,max}$ [N]									
g500-B45	900	1200	1800	2100	2400	2800	3000	3000	3000	3000
g500-B110	1000	1800	2100	2500	2700	3000	3000	3000	3000	3000
g500-B240	1500	2400	3000	3600	4500	5000	6000	6500	6500	6500
g500-B450	2000	2800	3600	3900	4300	5000	6000	7600	7800	7800
g500-B600	2500	3200	4000	4700	5400	6700	8300	9000	9000	9000
g500-B820	5200	6000	8200	9800	11000	11000	11000	11000	11000	11000
g500-B1500	6300	8200	10000	11500	13000	16000	16000	16000	16000	16000
g500-B2700	6600	8500	10400	12000	14000	16500	20100	22700	25500	27500
g500-B4300	7300	9500	11600	13300	14900	17300	20800	25700	32200	40000

Max. radial force, gearbox with solid shaft and flange (HAK)

Gearbox	Output speed n_2 [rpm]									
	1000	630	400	250	160	100	63	40	25	≤ 16
	Max. radial force $F_{rad,max}$ [N]									
g500-B45	900	1200	1800	2100	2400	2800	3000	3000	3000	3000
g500-B110	1000	1800	2100	2500	2700	3000	3000	3000	3000	3000
g500-B240	2400	3600	5200	6000	6500	6500	6500	6500	6500	6500
g500-B450	3000	4000	4700	5100	5600	6400	7700	7800	7800	7800
g500-B600	3,400	4100	5000	5300	6000	7300	9000	9000	9000	9000
g500-B820	6000	7000	8900	10200	11000	11000	11000	11000	11000	11000
g500-B1500	7000	9000	11000	12000	13000	15000	16000	16000	16000	16000
g500-B2700	8400	10900	13300	14400	15800	17700	20100	22700	25500	27500
g500-B4300	9200	11700	14300	15800	17800	20800	24800	29500	35100	40000



Selection tables

Notes on the selection tables

The selection tables represent the available combinations of gearbox, number of stages, ratio and motor for the mounting position A. They only serve as a rough overview.

The following legend shows the layout of the selection tables:

Example

Inverter mains connection 400 V, self-ventilated
0.25 kW

Explanation

Voltage of inverter mains connection, motor cooling type
Rated motor power

Inverter operation						i	Geared motor		Number of stages
M ₂	n ₂	c	M _{2,max}	n _{2,th}	J		g500-	MCS	
Nm	rpm		Nm	rpm	kgcm ²				
6.0	387	5.4	24.0	387	0.263	10.466	B45	06C41-	2
7.0	348	4.9	27.0	348	0.226	11.640	B45	06C41-	2
8.0	303	4.2	31.0	303	0.219	13.386	B45	06C41-	2
9.0	268	3.8	34.0	268	0.199	15.111	B45	06C41-	2

									Number of gear stages
									Product name of the motor
									Gearbox product name
						Ratio			
						Moment of inertia			
						With feedback, without brake			
						Thermal output speed			
						Max. permissible acceleration torque			
						Inverter-dependent			
						Load capacity of the gearbox			
						c is the ratio of permissible rated torque of the gearbox to the rated torque of the motor (converted to the driven shaft). c must always be higher than the application factor detected for the application k.			
						$c = \frac{M_{2,zul}}{M_{1,N} \times i \times \eta_{Getr}} > k$			
						Output speed			
						Output torque			

Technical data

Selection tables



The data in the selection tables are given for an inverter mains connection 3x 400 V. These motors are identified via "-" (example MCS06C41-).

In case of an inverter mains connection 3x 230 V, the same data in the selection tables for the following self-ventilated motors with the "L" ID apply (example MCS06C41L).

Motors for inverter mains connection 3x 230 V

MCS06		MCS09		MCS12	
Rated power	Product name	Rated power	Product name	Rated power	Product name
P_{rated}		P_{rated}		P_{rated}	
kW		kW		kW	
0.25	MCS06C41L	1.0	MCS09D41L	1.1	MCS12D20L
0.51	MCS06F41L	1.2	MCS09F38L	1.8	MCS12D41L
0.64	MCS06I41L	1.6	MCS09H41L	1.6	MCS12H15L
		1.9	MCS09L41L	2.5	MCS12H30L
				2.8	MCS12L20L

▶ [Rated data](#) 331

▶ [Torque characteristics](#) 342



Inverter mains connection 400 V, Self-ventilated

0.25 kW

Inverter operation						i	Geared motor		Number of stages
M ₂	n ₂	c	M _{2, max}	n _{2, th}	J				
Nm	rpm		Nm	rpm	kgcm ²				
6.0	387	5.4	24.0	387	0.263	10.466	B45	06C41-	2
7.0	348	4.9	27.0	348	0.226	11.640	B45	06C41-	2
8.0	303	4.2	31.0	303	0.219	13.386	B45	06C41-	2
9.0	268	3.8	34.0	268	0.199	15.111	B45	06C41-	2
10.0	233	3.3	40.0	233	0.195	17.378	B45	06C41-	2
11.0	209	2.9	44.0	209	0.178	19.365	B45	06C41-	2
13.0	182	2.6	45.0	182	0.194	22.270	B45	06C41-	2
13.0	180	5.8	51.0	180	0.228	22.489	B110	06C41-	2
14.0	162	2.6	45.0	162	0.165	25.051	B45	06C41-	2
14.0	161	5.4	57.0	161	0.203	25.185	B110	06C41-	2
16.0	141	2.2	45.0	141	0.163	28.808	B45	06C41-	2
17.0	140	4.8	66.0	140	0.200	28.963	B110	06C41-	2
19.0	124	2.0	45.0	124	0.156	32.593	B45	06C41-	2
21.0	108	3.6	85.0	108	0.212	37.400	B110	06C41-	2
21.0	108	1.7	45.0	108	0.155	37.481	B45	06C41-	2
27.0	84.1	3.3	110	84.1	0.190	48.167	B110	06C41-	2
34.0	67.9	5.8	136	67.9	0.207	59.630	B240	06C41-	2
38.0	59.2	5.2	152	59.2	0.233	68.459	B240	06C41-	3
43.0	52.1	4.5	173	52.1	0.231	77.741	B240	06C41-	3
49.0	46.3	4.0	195	46.3	0.202	87.563	B240	06C41-	3
55.0	40.7	3.5	221	40.7	0.201	99.437	B240	06C41-	3
63.0	35.6	3.4	240	35.6	0.184	113.673	B240	06C41-	3
70.0	32.8	5.8	282	32.8	0.299	123.487	B450	06C41-	3
72.0	31.4	3.0	240	31.4	0.183	129.087	B240	06C41-	3
82.0	28.1	5.0	329	28.1	0.240	144.128	B450	06C41-	3
91.0	25.3	4.5	364	25.3	0.239	159.807	B450	06C41-	3
93.0	24.7	5.8	373	24.7	0.364	163.810	B600	06C41-	3
100	23.2	4.1	399	23.2	0.213	174.919	B450	06C41-	3
102	22.7	5.3	406	22.7	0.249	178.224	B600	06C41-	3
111	20.9	3.7	442	20.9	0.212	193.948	B450	06C41-	3
113	20.4	4.8	453	20.4	0.306	198.805	B600	06C41-	3
129	17.8	5.7	518	17.8	0.251	227.045	B820	06C41-	3
143	16.1	3.8	573	16.1	0.248	251.299	B600	06C41-	3
145	16.0	5.1	579	16.0	0.250	253.841	B820	06C41-	3

Technical data

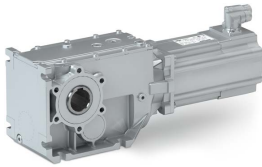
Selection tables

Inverter mains connection 400 V, Self-ventilated



0.51 kW

Inverter operation						i	Geared motor		Number of stages
M ₂	n ₂	c	M _{2, max}	n _{2, th}	J				
Nm	rpm		Nm	rpm	kgcm ²				
6.0	749	4.5	23.0	749	0.527	5.411	B45	06F41-	2
7.0	651	4.1	26.0	651	0.496	6.222	B45	06F41-	2
8.0	570	3.8	30.0	570	0.416	7.111	B45	06F41-	2
9.0	495	3.4	34.0	495	0.398	8.178	B45	06F41-	2
10.0	445	3.1	38.0	445	0.354	9.101	B45	06F41-	2
10.0	445	5.8	38.0	445	0.543	9.101	B110	06F41-	2
12.0	387	2.7	44.0	387	0.343	10.466	B45	06F41-	2
12.0	387	5.4	44.0	387	0.515	10.466	B110	06F41-	2
13.0	354	5.0	48.0	354	0.475	11.449	B110	06F41-	2
13.0	348	2.4	45.0	348	0.306	11.640	B45	06F41-	2
14.0	319	4.5	53.0	319	0.413	12.698	B110	06F41-	2
15.0	303	2.1	45.0	303	0.299	13.386	B45	06F41-	2
17.0	277	3.9	61.0	277	0.398	14.603	B110	06F41-	2
17.0	268	1.9	45.0	268	0.279	15.111	B45	06F41-	2
18.0	260	3.7	65.0	260	0.363	15.556	B110	06F41-	2
20.0	233	1.6	45.0	233	0.275	17.378	B45	06F41-	2
20.0	226	3.4	75.0	226	0.353	17.889	B110	06F41-	2
22.0	209	1.5	45.0	209	0.258	19.365	B45	06F41-	2
22.0	207	3.2	82.0	207	0.315	19.556	B110	06F41-	2
25.0	182	1.3	45.0	182	0.274	22.270	B45	06F41-	2
26.0	180	2.9	94.0	180	0.308	22.489	B110	06F41-	2
29.0	162	1.3	45.0	162	0.245	25.051	B45	06F41-	2
29.0	161	2.7	105	161	0.283	25.185	B110	06F41-	2
31.0	151	5.6	112	151	0.431	26.878	B240	06F41-	2
33.0	141	1.1	45.0	141	0.243	28.808	B45	06F41-	2
33.0	140	2.4	110	140	0.280	28.963	B110	06F41-	2
35.0	133	5.0	128	133	0.420	30.522	B240	06F41-	2
37.0	124	1.0	45.0	124	0.236	32.593	B45	06F41-	2
38.0	121	4.5	140	121	0.372	33.433	B240	06F41-	2
41.0	111	5.7	152	111	0.531	36.373	B450	06F41-	3
42.0	110	5.8	155	110	0.700	36.999	B600	06F41-	3
42.0	110	5.8	155	110	0.856	37.000	B820	06F41-	3
43.0	108	1.8	106	108	0.292	37.400	B110	06F41-	2
43.0	108	0.9	45.0	108	0.235	37.481	B45	06F41-	2
43.0	107	4.0	159	107	0.366	37.967	B240	06F41-	2
49.0	93.6	4.0	181	93.6	0.316	43.267	B240	06F41-	2
52.0	89.5	5.4	189	89.5	0.437	45.245	B450	06F41-	3
55.0	84.1	1.6	110	84.1	0.270	48.167	B110	06F41-	2
56.0	82.4	3.5	205	82.4	0.312	49.133	B240	06F41-	2
57.0	80.7	5.4	210	80.7	0.431	50.167	B450	06F41-	3
60.0	77.1	3.2	220	77.1	0.290	52.510	B240	06F41-	2
64.0	72.1	5.7	235	72.1	0.695	56.154	B450	06F41-	3
68.0	67.9	2.9	240	67.9	0.287	59.630	B240	06F41-	2
71.0	65.0	5.2	260	65.0	0.691	62.262	B450	06F41-	3
76.0	59.2	2.6	240	59.2	0.313	68.459	B240	06F41-	3
77.0	60.0	5.3	282	60.0	0.501	67.513	B600	06F41-	3
78.0	58.9	4.7	287	58.9	0.579	68.788	B450	06F41-	3
82.0	56.1	6.0	302	56.1	0.757	72.170	B600	06F41-	3
86.0	52.1	2.3	240	52.1	0.311	77.741	B240	06F41-	3
87.0	53.1	4.2	319	53.1	0.576	76.271	B450	06F41-	3
93.0	49.4	4.4	342	49.4	0.425	81.937	B600	06F41-	3



Technical data

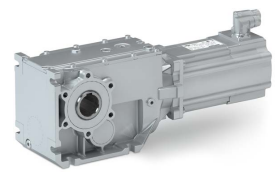
Selection tables
Inverter mains connection 400 V, Self-ventilated

Inverter operation						Geared motor			Number of stages
M_2	n_2	c	$M_{2, max}$	$n_{2, th}$	J	i			
Nm	rpm		Nm	rpm	kgcm ²				
97.0	46.3	2.0	240	46.3	0.282	87.563	B240	06F41-	3
102	45.2	3.6	374	45.2	0.442	89.534	B450	06F41-	3
102	45.1	4.8	375	45.1	0.581	89.772	B600	06F41-	3
110	40.7	1.8	240	40.7	0.281	99.437	B240	06F41-	3
113	40.8	3.2	415	40.8	0.440	99.274	B450	06F41-	3
116	39.8	4.2	425	39.8	0.749	101.760	B600	06F41-	3
117	39.4	5.7	430	39.4	0.709	102.790	B820	06F41-	3
126	35.6	1.7	240	35.6	0.264	113.673	B240	06F41-	3
127	36.4	3.2	450	36.4	0.380	111.372	B450	06F41-	3
130	35.4	5.7	478	35.4	0.586	114.364	B820	06F41-	3
132	34.9	4.1	486	34.9	0.447	116.175	B600	06F41-	3
141	32.8	2.9	450	32.8	0.379	123.487	B450	06F41-	3
143	31.4	1.5	240	31.4	0.263	129.087	B240	06F41-	3
144	32.0	3.8	529	32.0	0.576	126.580	B600	06F41-	3
146	31.7	5.1	534	31.7	0.585	127.861	B820	06F41-	3
161	28.7	3.4	589	28.7	0.388	140.995	B600	06F41-	3
164	28.1	2.5	450	28.1	0.320	144.128	B450	06F41-	3
169	27.4	4.4	619	27.4	0.450	148.000	B820	06F41-	3
182	25.3	2.2	450	25.3	0.319	159.807	B450	06F41-	3
187	24.7	2.9	600	24.7	0.444	163.810	B600	06F41-	3
189	24.5	3.9	692	24.5	0.449	165.467	B820	06F41-	3
199	23.2	2.0	450	23.2	0.293	174.919	B450	06F41-	3
203	22.7	2.7	600	22.7	0.329	178.224	B600	06F41-	3
205	22.5	3.6	751	22.5	0.390	179.618	B820	06F41-	3
221	20.9	1.8	450	20.9	0.292	193.948	B450	06F41-	3
227	20.4	2.4	600	20.4	0.386	198.805	B600	06F41-	3
229	20.2	3.2	820	20.2	0.389	200.816	B820	06F41-	3
259	17.8	2.9	820	17.8	0.331	227.045	B820	06F41-	3
286	16.1	1.9	600	16.1	0.328	251.299	B600	06F41-	3
289	16.0	2.6	820	16.0	0.330	253.841	B820	06F41-	3

Technical data

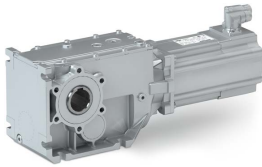
Selection tables

Inverter mains connection 400 V, Self-ventilated



0.64 kW

Inverter operation						i	Geared motor		Number of stages
M ₂	n ₂	c	M _{2, max}	n _{2, th}	J				
Nm	rpm		Nm	rpm	kgcm ²				
8.0	749	3.6	32.0	749	0.607	5.411	B45	06I41-	2
9.0	651	3.3	37.0	651	0.576	6.222	B45	06I41-	2
10.0	570	3.1	42.0	570	0.496	7.111	B45	06I41-	2
10.0	570	5.5	42.0	568	0.778	7.111	B110	06I41-	2
12.0	495	2.7	44.0	495	0.478	8.178	B45	06I41-	2
12.0	495	5.0	48.0	487	0.731	8.178	B110	06I41-	2
13.0	445	2.5	45.0	445	0.434	9.101	B45	06I41-	2
13.0	445	4.7	54.0	445	0.623	9.101	B110	06I41-	2
15.0	387	2.2	45.0	387	0.423	10.466	B45	06I41-	2
15.0	387	4.3	62.0	387	0.595	10.466	B110	06I41-	2
16.0	354	4.0	67.0	354	0.555	11.449	B110	06I41-	2
17.0	348	2.0	45.0	348	0.386	11.640	B45	06I41-	2
18.0	319	3.6	75.0	319	0.493	12.698	B110	06I41-	2
19.0	303	1.7	45.0	303	0.379	13.386	B45	06I41-	2
21.0	277	3.1	86.0	277	0.478	14.603	B110	06I41-	2
22.0	268	1.5	45.0	268	0.359	15.111	B45	06I41-	2
22.0	260	3.0	92.0	260	0.443	15.556	B110	06I41-	2
25.0	233	1.3	45.0	233	0.355	17.378	B45	06I41-	2
25.0	226	2.7	96.0	226	0.433	17.889	B110	06I41-	2
28.0	209	1.2	45.0	209	0.338	19.365	B45	06I41-	2
28.0	207	2.6	100	207	0.395	19.556	B110	06I41-	2
29.0	196	5.6	122	196	0.640	20.650	B240	06I41-	2
32.0	182	1.0	45.0	182	0.354	22.270	B45	06I41-	2
32.0	180	2.3	104	180	0.388	22.489	B110	06I41-	2
33.0	173	5.2	138	173	0.622	23.450	B240	06I41-	2
36.0	162	1.0	45.0	162	0.325	25.051	B45	06I41-	2
36.0	161	2.2	108	161	0.363	25.185	B110	06I41-	2
38.0	151	4.5	158	151	0.511	26.878	B240	06I41-	2
40.0	145	5.6	165	145	0.810	27.945	B450	06I41-	3
41.0	141	0.9	45.0	141	0.323	28.808	B45	06I41-	2
41.0	140	1.9	110	140	0.360	28.963	B110	06I41-	2
42.0	136	5.6	175	136	1.020	29.744	B600	06I41-	3
42.0	136	5.6	175	136	1.209	29.745	B820	06I41-	3
43.0	133	4.0	180	133	0.500	30.522	B240	06I41-	2
44.0	131	5.6	182	131	0.794	30.985	B450	06I41-	3
46.0	124	0.8	45.0	124	0.316	32.593	B45	06I41-	2
48.0	121	3.6	197	121	0.452	33.433	B240	06I41-	2
52.0	111	4.5	214	111	0.611	36.373	B450	06I41-	3
53.0	110	4.7	218	110	0.780	36.999	B600	06I41-	3
53.0	110	4.7	218	110	0.936	37.000	B820	06I41-	3
53.0	108	1.4	106	108	0.372	37.400	B110	06I41-	2
53.0	108	0.7	45.0	108	0.315	37.481	B45	06I41-	2
54.0	107	3.2	224	107	0.446	37.967	B240	06I41-	2
57.0	100	5.1	238	100	0.602	40.330	B450	06I41-	3
62.0	93.6	3.2	240	93.6	0.396	43.267	B240	06I41-	2
64.0	89.5	4.3	266	89.5	0.517	45.245	B450	06I41-	3
69.0	84.1	1.3	110	84.1	0.350	48.167	B110	06I41-	2
70.0	82.4	2.8	240	82.4	0.392	49.133	B240	06I41-	2
71.0	80.7	4.3	295	80.7	0.511	50.167	B450	06I41-	3
75.0	77.1	2.5	233	77.1	0.370	52.510	B240	06I41-	2
80.0	72.1	4.6	331	72.1	0.775	56.154	B450	06I41-	3



Technical data

Selection tables
Inverter mains connection 400 V, Self-ventilated

Inverter operation						Geared motor			Number of stages
M_2	n_2	c	$M_{2, \max}$	$n_{2, \text{th}}$	J	i			
Nm	rpm		Nm	rpm	kgcm ²				
85.0	67.9	2.3	240	67.9	0.367	59.630	B240	06I41-	2
89.0	65.0	4.1	367	65.0	0.771	62.262	B450	06I41-	3
91.0	63.5	5.4	376	61.5	1.379	63.822	B600	06I41-	3
95.0	59.2	2.1	240	59.2	0.393	68.459	B240	06I41-	3
96.0	60.0	4.3	398	60.0	0.581	67.513	B600	06I41-	3
98.0	58.9	3.8	405	58.9	0.659	68.788	B450	06I41-	3
103	56.1	4.8	425	56.1	0.837	72.170	B600	06I41-	3
108	52.1	1.8	240	52.1	0.391	77.741	B240	06I41-	3
109	53.1	3.4	449	53.1	0.656	76.271	B450	06I41-	3
117	49.4	3.5	483	49.4	0.505	81.937	B600	06I41-	3
122	46.3	1.6	240	46.3	0.362	87.563	B240	06I41-	3
128	45.2	2.9	450	45.2	0.522	89.534	B450	06I41-	3
128	45.1	3.8	529	45.1	0.661	89.772	B600	06I41-	3
131	44.1	5.1	541	44.1	0.792	91.939	B820	06I41-	3
138	40.7	1.4	240	40.7	0.361	99.437	B240	06I41-	3
141	40.8	2.6	450	40.8	0.520	99.274	B450	06I41-	3
145	39.8	3.4	599	39.8	0.829	101.760	B600	06I41-	3
146	39.4	4.6	605	39.4	0.789	102.790	B820	06I41-	3
158	35.6	1.4	240	35.6	0.344	113.673	B240	06I41-	3
159	36.4	2.6	450	36.4	0.460	111.372	B450	06I41-	3
163	35.4	4.6	674	35.4	0.666	114.364	B820	06I41-	3
166	34.9	3.3	600	34.9	0.527	116.175	B600	06I41-	3
176	32.8	2.3	450	32.8	0.459	123.487	B450	06I41-	3
179	31.4	1.2	240	31.4	0.343	129.087	B240	06I41-	3
180	32.0	3.0	600	32.0	0.656	126.580	B600	06I41-	3
182	31.7	4.1	753	31.7	0.665	127.861	B820	06I41-	3
201	28.7	2.7	600	28.7	0.468	140.995	B600	06I41-	3
205	28.1	2.0	450	28.1	0.400	144.128	B450	06I41-	3
211	27.4	3.5	820	27.4	0.530	148.000	B820	06I41-	3
228	25.3	1.8	450	25.3	0.399	159.807	B450	06I41-	3
233	24.7	2.3	600	24.7	0.524	163.810	B600	06I41-	3
236	24.5	3.2	820	24.5	0.529	165.467	B820	06I41-	3
249	23.2	1.6	450	23.2	0.373	174.919	B450	06I41-	3
254	22.7	2.1	600	22.7	0.409	178.224	B600	06I41-	3
256	22.5	2.9	820	22.5	0.470	179.618	B820	06I41-	3
276	20.9	1.5	450	20.9	0.372	193.948	B450	06I41-	3
283	20.4	1.9	600	20.4	0.466	198.805	B600	06I41-	3
286	20.2	2.6	820	20.2	0.469	200.816	B820	06I41-	3
323	17.8	2.3	820	17.8	0.411	227.045	B820	06I41-	3
358	16.1	1.5	600	16.1	0.408	251.299	B600	06I41-	3
362	16.0	2.1	820	16.0	0.410	253.841	B820	06I41-	3

Technical data

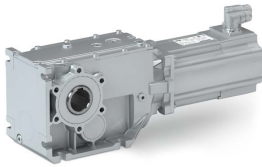
Selection tables

Inverter mains connection 400 V, Self-ventilated



1 kW

Inverter operation						i	Geared motor		Number of stages
M ₂	n ₂	c	M _{2, max}	n _{2, th}	J				
Nm	rpm		Nm	rpm	kgcm ²				
11.0	781	4.4	47.0	679	1.893	5.185	B110	09D41-	2
13.0	679	4.0	54.0	580	1.805	5.963	B110	09D41-	2
16.0	570	3.6	64.0	530	1.578	7.111	B110	09D41-	2
18.0	495	3.3	74.0	454	1.531	8.178	B110	09D41-	2
20.0	445	3.0	82.0	445	1.423	9.101	B110	09D41-	2
23.0	387	2.8	89.0	387	1.395	10.466	B110	09D41-	2
25.0	354	2.6	90.0	354	1.355	11.449	B110	09D41-	2
26.0	335	5.7	109	325	1.829	12.081	B240	09D41-	2
28.0	319	2.3	90.0	319	1.293	12.698	B110	09D41-	2
30.0	295	5.2	124	282	1.777	13.719	B240	09D41-	2
32.0	277	2.0	90.0	277	1.278	14.603	B110	09D41-	2
33.0	270	4.9	135	264	1.686	15.008	B240	09D41-	2
34.0	260	1.9	92.0	260	1.243	15.556	B110	09D41-	2
37.0	240	4.7	152	240	1.547	16.857	B240	09D41-	2
39.0	226	1.8	96.0	226	1.233	17.889	B110	09D41-	2
42.0	212	4.1	173	212	1.520	19.143	B240	09D41-	2
45.0	196	3.8	186	196	1.440	20.650	B240	09D41-	2
51.0	173	3.4	212	173	1.422	23.450	B240	09D41-	2
55.0	160	5.9	228	160	1.778	25.294	B450	09D41-	3
59.0	151	2.9	240	151	1.311	26.878	B240	09D41-	2
61.0	145	5.3	252	145	1.610	27.945	B450	09D41-	3
65.0	136	5.4	268	136	1.820	29.744	B600	09D41-	3
65.0	136	5.4	268	136	2.009	29.745	B820	09D41-	3
67.0	133	2.6	240	133	1.300	30.522	B240	09D41-	2
68.0	131	4.8	280	131	1.594	30.985	B450	09D41-	3
73.0	121	2.4	240	121	1.252	33.433	B240	09D41-	2
79.0	111	4.1	328	111	1.411	36.373	B450	09D41-	3
81.0	110	4.5	334	110	1.580	36.999	B600	09D41-	3
81.0	110	4.5	334	110	1.736	37.000	B820	09D41-	3
83.0	107	2.1	240	107	1.246	37.967	B240	09D41-	2
88.0	100	4.2	364	100	1.402	40.330	B450	09D41-	3
92.0	96.6	5.3	378	96.6	1.776	41.940	B600	09D41-	3
99.0	89.5	3.7	408	89.5	1.317	45.245	B450	09D41-	3
100	88.5	4.9	413	74.6	2.662	45.739	B600	09D41-	3
109	80.9	4.5	452	69.2	2.517	50.036	B600	09D41-	3
110	80.7	3.4	450	80.7	1.311	50.167	B450	09D41-	3
121	73.0	4.0	500	73.0	1.978	55.447	B600	09D41-	3
123	72.1	3.0	450	72.1	1.575	56.154	B450	09D41-	3
126	70.2	5.3	520	68.0	2.219	57.662	B820	09D41-	3
136	65.0	2.7	450	65.0	1.571	62.262	B450	09D41-	3
139	63.5	3.5	576	57.2	2.179	63.822	B600	09D41-	3
141	62.8	4.8	582	59.7	2.212	64.468	B820	09D41-	3
146	59.2	1.3	240	57.1	1.193	68.459	B240	09D41-	3
147	60.0	3.3	600	60.0	1.381	67.513	B600	09D41-	3
150	58.9	2.4	450	58.9	1.459	68.788	B450	09D41-	3
154	57.3	4.3	637	57.3	1.991	70.636	B820	09D41-	3
158	56.1	3.1	600	56.1	1.637	72.170	B600	09D41-	3
164	54.0	5.1	676	54.0	2.006	74.963	B1500	09D41-	3
166	52.1	1.2	240	47.9	1.191	77.741	B240	09D41-	3
167	53.1	2.2	450	53.1	1.456	76.271	B450	09D41-	3
171	51.8	2.9	600	51.8	1.965	78.182	B600	09D41-	3



Technical data

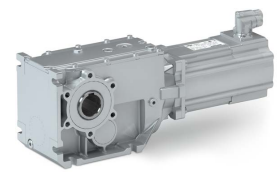
Selection tables
Inverter mains connection 400 V, Self-ventilated

Inverter operation						Geared motor			Number of stages
M_2	n_2	c	$M_{2, \max}$	$n_{2, \text{th}}$	J	i			
Nm	rpm		Nm	rpm	kgcm ²				
173	51.3	3.9	713	51.3	1.987	78.973	B820	09D41-	3
179	49.4	2.7	600	49.4	1.305	81.937	B600	09D41-	3
181	48.9	4.3	747	48.9	1.767	82.762	B1500	09D41-	3
196	45.2	1.9	450	45.2	1.322	89.534	B450	09D41-	3
196	45.1	2.5	600	45.1	1.461	89.772	B600	09D41-	3
199	44.5	4.3	821	44.5	1.758	90.978	B1500	09D41-	3
201	44.1	3.3	820	44.1	1.592	91.939	B820	09D41-	3
217	40.8	1.7	450	40.8	1.320	99.274	B450	09D41-	3
222	39.8	2.2	600	39.8	1.629	101.760	B600	09D41-	3
224	39.6	5.5	924	39.6	2.705	102.396	B1500	09D41-	3
225	39.4	3.0	820	39.4	1.589	102.790	B820	09D41-	3
243	36.4	1.7	450	36.4	1.260	111.372	B450	09D41-	3
249	35.5	5.4	1030	35.5	2.213	114.166	B1500	09D41-	3
250	35.4	3.0	820	35.4	1.466	114.364	B820	09D41-	3
254	34.9	2.1	600	34.9	1.327	116.175	B600	09D41-	3
270	32.8	1.5	450	32.8	1.259	123.487	B450	09D41-	3
274	32.3	5.0	1132	32.3	2.213	125.498	B1500	09D41-	3
277	32.0	2.0	600	32.0	1.456	126.580	B600	09D41-	3
279	31.7	2.7	820	31.7	1.465	127.861	B820	09D41-	3
308	28.7	1.8	600	28.7	1.268	140.995	B600	09D41-	3
323	27.4	2.3	820	27.4	1.330	148.000	B820	09D41-	3
328	27.0	4.1	1353	27.0	1.803	149.949	B1500	09D41-	3
358	24.7	1.5	600	24.7	1.324	163.810	B600	09D41-	3
360	24.6	3.8	1487	24.6	1.800	164.833	B1500	09D41-	3
361	24.5	2.1	820	24.5	1.329	165.467	B820	09D41-	3
392	22.5	1.9	820	22.5	1.270	179.618	B820	09D41-	3
398	22.3	3.4	1500	22.3	1.621	181.983	B1500	09D41-	3
434	20.4	1.3	600	20.4	1.266	198.805	B600	09D41-	3
437	20.2	3.1	1500	20.2	1.619	200.048	B1500	09D41-	3
439	20.2	1.7	820	20.2	1.269	200.816	B820	09D41-	3
503	17.6	2.7	1500	17.6	1.436	230.035	B1500	09D41-	3
552	16.0	2.5	1500	16.0	1.435	252.869	B1500	09D41-	3

Technical data

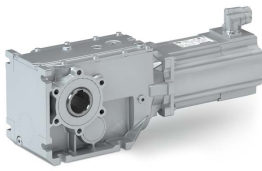
Selection tables

Inverter mains connection 400 V, Self-ventilated



1.1 kW

Inverter operation						i	Geared motor		Number of stages
M ₂	n ₂	c	M _{2, max}	n _{2, th}	J				
Nm	rpm		Nm	rpm	kgcm ²				
26.0	399	5.3	84.0	399	5.744	4.889	B240	12D20-	2
33.0	312	4.4	107	312	5.151	6.257	B240	12D20-	2
36.0	283	4.6	118	283	5.674	6.883	B240	12D20-	2
41.0	250	4.2	134	250	5.513	7.817	B240	12D20-	2
49.0	207	3.6	161	207	5.054	9.440	B240	12D20-	2
56.0	182	3.3	183	182	4.968	10.720	B240	12D20-	2
63.0	161	3.0	207	161	4.729	12.081	B240	12D20-	2
63.0	161	5.4	208	161	6.520	12.143	B820	12D20-	3
67.0	153	5.6	218	153	5.868	12.775	B450	12D20-	3
72.0	142	2.8	217	142	4.677	13.719	B240	12D20-	2
74.0	138	5.2	242	138	5.791	14.165	B450	12D20-	3
78.0	130	2.6	223	130	4.586	15.008	B240	12D20-	2
85.0	119	4.7	280	119	5.227	16.349	B450	12D20-	3
88.0	116	2.5	240	116	4.447	16.857	B240	12D20-	2
93.0	109	4.4	306	109	5.046	17.885	B450	12D20-	3
97.0	105	5.4	319	105	6.178	18.655	B820	12D20-	3
98.0	103	5.6	322	103	6.288	18.851	B600	12D20-	3
100	102	2.2	240	102	4.420	19.143	B240	12D20-	2
104	98.3	4.0	339	98.3	5.006	19.831	B450	12D20-	3
108	94.6	5.1	353	94.6	6.023	20.622	B600	12D20-	3
108	94.4	2.0	240	94.4	4.340	20.650	B240	12D20-	2
109	93.5	5.4	357	93.5	6.111	20.857	B820	12D20-	3
119	85.5	3.5	390	85.5	4.702	22.813	B450	12D20-	3
119	85.3	4.6	391	85.3	5.188	22.852	B600	12D20-	3
119	85.3	4.6	391	85.3	5.597	22.853	B820	12D20-	3
123	83.2	1.8	240	83.2	4.322	23.450	B240	12D20-	2
132	77.1	3.1	432	77.1	4.678	25.294	B450	12D20-	3
132	76.9	4.2	433	76.9	6.177	25.347	B600	12D20-	3
133	76.3	4.6	437	76.3	5.553	25.550	B820	12D20-	3
136	74.8	4.0	446	74.8	6.882	26.061	B600	12D20-	3
138	74.1	5.5	450	74.1	7.077	26.324	B820	12D20-	3
146	69.8	2.8	450	69.8	4.510	27.945	B450	12D20-	3
155	65.6	3.5	509	65.6	4.720	29.744	B600	12D20-	3
155	65.6	3.7	509	65.6	4.909	29.745	B820	12D20-	3
162	62.9	2.6	450	62.9	4.494	30.985	B450	12D20-	3
169	60.4	4.5	552	60.4	6.243	32.291	B820	12D20-	3
169	60.1	3.2	555	60.1	5.599	32.439	B600	12D20-	3
170	59.9	5.7	556	59.9	7.263	32.547	B1500	12D20-	3
187	54.6	2.9	600	54.6	6.117	35.740	B600	12D20-	3
187	54.5	5.7	612	54.5	7.210	35.778	B1500	12D20-	3
189	54.0	4.0	617	54.0	6.220	36.102	B820	12D20-	3
193	52.7	2.8	600	52.7	4.480	36.999	B600	12D20-	3
193	52.7	3.1	633	52.7	4.636	37.000	B820	12D20-	3
201	50.6	5.7	659	50.6	13.371	38.546	B4300	12D20-	3
216	47.2	3.8	707	47.2	5.639	41.325	B820	12D20-	3
219	46.5	2.7	600	46.5	4.676	41.940	B600	12D20-	3
236	43.1	3.5	773	43.1	5.481	45.207	B820	12D20-	3
239	42.6	2.5	600	42.6	5.562	45.739	B600	12D20-	3
243	41.9	5.0	796	41.9	6.138	46.568	B1500	12D20-	3
261	39.0	2.3	600	39.0	5.417	50.036	B600	12D20-	3
264	38.6	3.1	820	38.6	5.470	50.543	B820	12D20-	3



Technical data

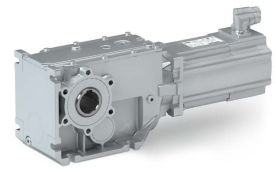
Selection tables
Inverter mains connection 400 V, Self-ventilated

Inverter operation							Geared motor		Number of stages
M_2	n_2	c	$M_{2, \max}$	$n_{2, \text{th}}$	J	i			
Nm	rpm		Nm	rpm	kgcm ²				
271	37.6	4.3	888	37.6	5.485	51.920	B1500	12D20-	3
283	36.1	5.3	925	36.1	5.113	54.082	B2700	12D20-	3
290	35.2	2.1	600	35.2	4.878	55.447	B600	12D20-	3
293	34.7	1.5	450	34.7	4.475	56.154	B450	12D20-	3
298	34.2	4.3	976	34.2	5.464	57.074	B1500	12D20-	3
301	33.8	2.7	820	33.8	5.119	57.662	B820	12D20-	3
305	33.4	4.9	999	33.4	6.957	58.422	B1500	12D20-	3
310	32.8	5.3	1015	32.8	5.113	59.393	B2700	12D20-	3
325	31.3	1.4	450	31.3	4.471	62.262	B450	12D20-	3
333	30.6	1.8	600	30.6	5.079	63.822	B600	12D20-	3
336	30.4	4.5	1098	30.4	6.940	64.221	B1500	12D20-	3
337	30.2	2.4	820	30.2	5.112	64.468	B820	12D20-	3
359	28.3	1.3	450	28.3	4.359	68.788	B450	12D20-	3
369	27.6	2.2	820	27.6	4.891	70.636	B820	12D20-	3
374	27.2	4.0	1224	27.2	6.318	71.566	B1500	12D20-	3
377	27.0	1.6	600	27.0	4.537	72.170	B600	12D20-	3
392	26.0	3.4	1282	26.0	4.906	74.963	B1500	12D20-	3
398	25.6	1.1	450	25.6	4.356	76.271	B450	12D20-	3
402	25.4	4.2	1314	25.4	6.609	76.862	B2700	12D20-	3
408	24.9	1.5	600	24.9	4.865	78.182	B600	12D20-	3
413	24.7	2.0	820	24.7	4.887	78.973	B820	12D20-	3
432	23.6	2.8	1213	23.6	4.667	82.762	B1500	12D20-	3
444	23.0	3.5	1452	23.0	5.923	84.940	B2700	12D20-	3
469	21.7	1.3	600	21.7	4.361	89.772	B600	12D20-	3
475	21.4	2.8	1333	21.4	4.658	90.978	B1500	12D20-	3
480	21.2	1.7	820	21.2	4.492	91.939	B820	12D20-	3
487	20.9	3.1	1500	20.9	5.612	93.150	B1500	12D20-	3
487	20.9	3.5	1595	20.9	5.904	93.283	B2700	12D20-	3
509	20.0	5.3	1667	20.0	8.457	97.481	B2700	12D20-	3
532	19.2	1.1	600	19.2	4.529	101.760	B600	12D20-	3
535	19.0	2.8	1500	19.0	5.605	102.396	B1500	12D20-	3
537	19.0	1.5	820	19.0	4.489	102.790	B820	12D20-	3
559	18.2	4.8	1830	18.2	8.442	107.056	B2700	12D20-	3
596	17.1	2.5	1500	17.1	5.113	114.166	B1500	12D20-	3
597	17.1	1.4	820	17.1	4.366	114.364	B820	12D20-	3
618	16.5	4.4	2024	16.5	5.113	118.370	B2700	12D20-	3
618	16.5	5.3	2023	16.5	5.113	118.336	B4300	12D20-	3
656	15.5	2.3	1500	15.5	5.113	125.498	B1500	12D20-	3
661	15.4	0.9	600	15.4	4.356	126.580	B600	12D20-	3
668	15.3	1.2	820	15.3	4.365	127.861	B820	12D20-	3
676	15.1	5.3	2211	15.1	5.113	129.342	B4300	12D20-	3
679	15.0	4.0	2223	15.0	5.113	129.996	B2700	12D20-	3
783	13.0	1.9	1500	13.0	4.703	149.949	B1500	12D20-	3
800	12.7	3.4	2619	12.7	6.199	153.185	B2700	12D20-	3
800	12.7	4.2	2618	12.7	6.417	153.141	B4300	12D20-	3
861	11.8	1.7	1500	11.8	4.700	164.833	B1500	12D20-	3
874	11.6	4.2	2862	11.6	6.403	167.383	B4300	12D20-	3
879	11.6	3.1	2700	11.6	6.193	168.230	B2700	12D20-	3
951	10.7	1.6	1500	10.7	4.521	181.983	B1500	12D20-	3
971	10.5	2.8	2700	10.5	5.626	185.911	B2700	12D20-	3
971	10.5	3.5	3178	10.5	5.773	185.857	B4300	12D20-	3
1045	9.7	1.4	1500	9.7	4.519	200.048	B1500	12D20-	3

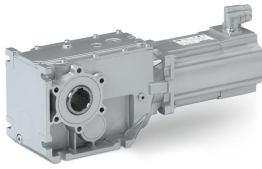
Technical data

Selection tables

Inverter mains connection 400 V, Self-ventilated



Inverter operation						Geared motor			Number of stages
M_2	n_2	c	$M_{2, \max}$	$n_{2, \text{th}}$	J	i			
Nm	rpm		Nm	rpm	kgcm²				
1061	9.6	3.5	3473	9.6	5.764	203.143	B4300	12D20-	3
1067	9.6	2.5	2700	9.6	5.622	204.170	B2700	12D20-	3
1227	8.3	2.8	3474	8.3	5.173	234.932	B4300	12D20-	3
1228	8.3	2.2	2700	8.3	5.080	235.000	B2700	12D20-	3
1341	7.6	2.8	3798	7.6	5.167	256.781	B4300	12D20-	3
1348	7.6	2.0	2700	7.6	5.078	258.080	B2700	12D20-	3



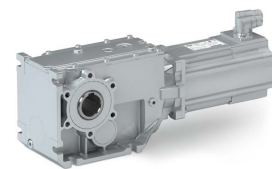
1.2 kW

Inverter operation						i	Geared motor		Number of stages
M ₂	n ₂	c	M _{2, max}	n _{2, th}	J				
Nm	rpm		Nm	rpm	kgcm ²				
15.0	723	3.3	69.0	646	2.293	5.185	B110	09F38-	2
18.0	629	3.0	72.0	551	2.205	5.963	B110	09F38-	2
18.0	599	6.0	89.0	599	2.651	6.257	B240	09F38-	2
21.0	527	2.7	77.0	505	1.978	7.111	B110	09F38-	2
23.0	480	6.0	111	399	3.013	7.817	B240	09F38-	2
24.0	459	2.5	81.0	432	1.931	8.178	B110	09F38-	2
27.0	412	2.3	84.0	412	1.823	9.101	B110	09F38-	2
28.0	397	5.1	135	375	2.554	9.440	B240	09F38-	2
31.0	358	2.1	89.0	358	1.795	10.466	B110	09F38-	2
32.0	350	4.8	153	327	2.468	10.720	B240	09F38-	2
34.0	328	2.0	90.0	328	1.755	11.449	B110	09F38-	2
36.0	310	4.3	172	310	2.229	12.081	B240	09F38-	2
36.0	309	6.0	173	309	4.020	12.143	B820	09F38-	3
37.0	295	1.8	90.0	295	1.693	12.698	B110	09F38-	2
40.0	273	4.0	196	269	2.177	13.719	B240	09F38-	2
43.0	257	1.5	90.0	257	1.678	14.603	B110	09F38-	2
44.0	250	3.7	214	250	2.086	15.008	B240	09F38-	2
46.0	241	1.5	92.0	241	1.643	15.556	B110	09F38-	2
48.0	229	6.0	233	229	2.727	16.349	B450	09F38-	3
50.0	223	3.6	240	223	1.947	16.857	B240	09F38-	2
53.0	210	5.7	255	210	2.546	17.885	B450	09F38-	3
53.0	210	1.3	96.0	210	1.633	17.889	B110	09F38-	2
55.0	201	6.0	266	201	3.678	18.655	B820	09F38-	3
56.0	196	3.1	240	196	1.920	19.143	B240	09F38-	2
58.0	189	5.7	283	189	2.506	19.831	B450	09F38-	3
61.0	182	2.9	240	182	1.840	20.650	B240	09F38-	2
61.0	180	6.0	297	180	3.611	20.857	B820	09F38-	3
67.0	164	4.8	325	164	2.202	22.813	B450	09F38-	3
67.0	164	5.1	326	164	2.688	22.852	B600	09F38-	3
67.0	164	5.1	326	164	3.097	22.853	B820	09F38-	3
69.0	160	2.6	240	160	1.822	23.450	B240	09F38-	2
74.0	148	4.5	360	148	2.178	25.294	B450	09F38-	3
75.0	147	5.1	364	147	3.053	25.550	B820	09F38-	3
79.0	140	2.2	240	140	1.711	26.878	B240	09F38-	2
82.0	134	4.0	398	134	2.010	27.945	B450	09F38-	3
88.0	126	4.1	424	126	2.220	29.744	B600	09F38-	3
88.0	126	4.1	424	126	2.409	29.745	B820	09F38-	3
90.0	123	2.0	240	123	1.700	30.522	B240	09F38-	2
91.0	121	3.6	441	121	1.994	30.985	B450	09F38-	3
96.0	116	4.6	462	104	3.099	32.439	B600	09F38-	3
98.0	112	1.8	240	112	1.652	33.433	B240	09F38-	2
107	103	3.1	450	103	1.811	36.373	B450	09F38-	3
109	101	3.4	507	101	1.980	36.999	B600	09F38-	3
109	101	3.4	507	101	2.136	37.000	B820	09F38-	3
112	98.8	1.6	240	98.8	1.646	37.967	B240	09F38-	2
119	93.0	3.2	450	93.0	1.802	40.330	B450	09F38-	3
122	90.7	5.6	589	84.8	3.139	41.325	B820	09F38-	3
123	89.4	4.1	598	89.4	2.176	41.940	B600	09F38-	3
133	83.0	5.2	644	78.6	2.981	45.207	B820	09F38-	3
133	82.9	2.8	450	82.9	1.717	45.245	B450	09F38-	3
135	82.0	3.7	600	70.8	3.062	45.739	B600	09F38-	3

Technical data

Selection tables

Inverter mains connection 400 V, Self-ventilated



Inverter operation							Geared motor		Number of stages
M_2	n_2	c	$M_{2, max}$	$n_{2, th}$	J	i			
Nm	rpm		Nm	rpm	kgcm ²				
137	80.5	5.8	663	80.5	3.638	46.568	B1500	09F38-	3
147	74.9	3.4	600	65.8	2.917	50.036	B600	09F38-	3
148	74.8	2.6	450	74.8	1.711	50.167	B450	09F38-	3
149	74.2	4.6	720	68.9	2.970	50.543	B820	09F38-	3
153	72.2	5.0	740	72.2	2.985	51.920	B1500	09F38-	3
163	67.6	3.1	600	67.6	2.378	55.447	B600	09F38-	3
165	66.8	2.3	450	66.8	1.975	56.154	B450	09F38-	3
168	65.7	5.0	813	65.7	2.964	57.074	B1500	09F38-	3
170	65.0	4.0	820	64.9	2.619	57.662	B820	09F38-	3
183	60.2	2.1	450	60.2	1.971	62.262	B450	09F38-	3
188	58.8	2.7	600	54.5	2.579	63.822	B600	09F38-	3
190	58.2	3.6	820	57.0	2.612	64.468	B820	09F38-	3
197	54.8	1.0	240	51.7	1.593	68.459	B240	09F38-	3
199	55.5	2.5	600	55.5	1.781	67.513	B600	09F38-	3
203	54.5	1.9	450	54.5	1.859	68.788	B450	09F38-	3
208	53.1	3.3	820	53.1	2.391	70.636	B820	09F38-	3
213	52.0	2.4	600	52.0	2.037	72.170	B600	09F38-	3
221	50.0	3.9	1024	50.0	2.406	74.963	B1500	09F38-	3
223	48.2	0.9	240	40.7	1.591	77.741	B240	09F38-	3
225	49.2	1.7	450	49.2	1.856	76.271	B450	09F38-	3
230	48.0	2.2	600	48.0	2.365	78.182	B600	09F38-	3
233	47.5	3.0	820	47.5	2.387	78.973	B820	09F38-	3
241	45.8	2.1	600	45.8	1.705	81.937	B600	09F38-	3
244	45.3	3.2	943	45.3	2.167	82.762	B1500	09F38-	3
264	41.9	1.4	450	41.9	1.722	89.534	B450	09F38-	3
264	41.8	1.9	600	41.8	1.861	89.772	B600	09F38-	3
268	41.2	3.2	1036	41.2	2.158	90.978	B1500	09F38-	3
271	40.8	2.5	820	40.8	1.992	91.939	B820	09F38-	3
274	40.3	4.6	1327	40.3	3.112	93.150	B1500	09F38-	3
292	37.8	1.3	450	37.8	1.720	99.274	B450	09F38-	3
300	36.9	1.7	600	36.9	2.029	101.760	B600	09F38-	3
302	36.6	4.2	1459	36.6	3.105	102.396	B1500	09F38-	3
303	36.5	2.3	820	36.5	1.989	102.790	B820	09F38-	3
328	33.7	1.3	450	33.7	1.660	111.372	B450	09F38-	3
336	32.8	4.1	1500	32.8	2.613	114.166	B1500	09F38-	3
337	32.8	2.3	820	32.8	1.866	114.364	B820	09F38-	3
342	32.3	1.6	600	32.3	1.727	116.175	B600	09F38-	3
364	30.4	1.2	450	30.4	1.659	123.487	B450	09F38-	3
370	29.9	3.8	1500	29.9	2.613	125.498	B1500	09F38-	3
373	29.6	1.5	600	29.6	1.856	126.580	B600	09F38-	3
376	29.3	2.0	820	29.3	1.865	127.861	B820	09F38-	3
415	26.6	1.3	600	26.6	1.668	140.995	B600	09F38-	3
436	25.3	1.8	820	25.3	1.730	148.000	B820	09F38-	3
442	25.0	3.2	1500	25.0	2.203	149.949	B1500	09F38-	3
482	22.9	1.2	600	22.9	1.724	163.810	B600	09F38-	3
485	22.8	2.9	1500	22.8	2.200	164.833	B1500	09F38-	3
487	22.7	1.6	820	22.7	1.729	165.467	B820	09F38-	3
529	20.9	1.4	820	20.9	1.670	179.618	B820	09F38-	3
536	20.6	2.6	1500	20.6	2.021	181.983	B1500	09F38-	3
585	18.9	1.0	600	18.9	1.666	198.805	B600	09F38-	3
589	18.7	2.4	1500	18.7	2.019	200.048	B1500	09F38-	3
591	18.7	1.3	820	18.7	1.669	200.816	B820	09F38-	3



Technical data

Selection tables

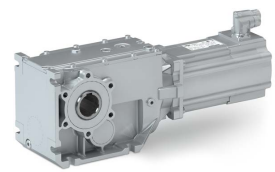
Inverter mains connection 400 V, Self-ventilated

Inverter operation							Geared motor		Number of stages
M_2	n_2	c	$M_{2, \max}$	$n_{2, \text{th}}$	J	i			
Nm	rpm		Nm	rpm	kgcm ²				
677	16.3	2.1	1500	16.3	1.836	230.035	B1500	09F38-	3
745	14.8	1.9	1500	14.8	1.835	252.869	B1500	09F38-	3

Technical data

Selection tables

Inverter mains connection 400 V, Self-ventilated



1.45 kW

Inverter operation						i	Geared motor		Number of stages
M ₂	n ₂	c	M _{2, max}	n _{2, th}	J				
Nm	rpm		Nm	rpm	kgcm ²				
60.0	219	5.1	189	219	10.582	6.860	B450	14D15-	3
81.0	161	4.5	257	161	11.306	9.315	B450	14D15-	3
83.0	158	6.0	262	158	11.861	9.520	B820	14D15-	3
90.0	145	4.3	285	145	11.160	10.328	B450	14D15-	3
91.0	144	5.8	288	144	13.720	10.447	B820	14D15-	3
94.0	140	5.8	296	140	13.218	10.741	B600	14D15-	3
102	128	5.6	322	128	13.507	11.680	B820	14D15-	3
106	124	5.1	334	124	10.620	12.143	B820	14D15-	3
112	117	3.6	352	117	9.968	12.775	B450	14D15-	3
117	112	4.7	368	112	10.606	13.369	B600	14D15-	3
117	112	5.3	368	112	11.801	13.370	B820	14D15-	3
124	106	3.4	390	106	9.891	14.165	B450	14D15-	3
128	103	5.1	403	103	11.304	14.626	B820	14D15-	3
129	102	4.7	406	102	11.406	14.730	B600	14D15-	3
143	91.7	3.0	434	91.7	9.327	16.349	B450	14D15-	3
143	91.7	5.0	450	91.7	11.196	16.352	B820	14D15-	3
156	83.9	2.9	446	83.9	9.146	17.885	B450	14D15-	3
163	80.4	4.6	514	80.4	10.278	18.655	B820	14D15-	3
165	79.6	3.6	519	79.6	10.388	18.851	B600	14D15-	3
173	75.6	2.6	450	75.6	9.106	19.831	B450	14D15-	3
180	72.7	3.3	568	72.7	10.123	20.622	B600	14D15-	3
182	71.9	4.5	575	71.9	10.211	20.857	B820	14D15-	3
199	65.8	2.3	450	65.8	8.802	22.813	B450	14D15-	3
200	65.6	3.0	600	65.6	9.288	22.852	B600	14D15-	3
200	65.6	4.1	630	65.6	9.697	22.853	B820	14D15-	3
221	59.3	2.0	450	59.3	8.778	25.294	B450	14D15-	3
222	59.2	2.7	600	59.2	10.277	25.347	B600	14D15-	3
223	58.7	3.7	704	58.7	9.653	25.550	B820	14D15-	3
228	57.6	2.6	600	57.6	10.982	26.061	B600	14D15-	3
230	57.0	3.6	725	57.0	11.177	26.324	B820	14D15-	3
255	51.4	5.9	805	51.4	12.394	29.206	B1500	14D15-	3
260	50.4	2.3	600	50.4	8.820	29.744	B600	14D15-	3
260	50.4	3.2	819	50.4	9.009	29.745	B820	14D15-	3
282	46.5	2.9	820	46.5	10.343	32.291	B820	14D15-	3
283	46.2	2.1	600	46.2	9.699	32.439	B600	14D15-	3
284	46.1	5.3	897	46.1	11.363	32.547	B1500	14D15-	3
312	42.0	1.9	600	42.0	10.217	35.740	B600	14D15-	3
313	41.9	4.8	986	41.9	11.310	35.778	B1500	14D15-	3
315	41.5	2.6	820	41.5	10.320	36.102	B820	14D15-	3
319	41.1	4.7	1006	41.1	14.990	36.526	B1500	14D15-	3
337	38.9	5.8	1062	38.9	17.471	38.546	B4300	14D15-	3
357	36.7	4.2	1126	36.7	13.403	40.895	B1500	14D15-	3
361	36.3	2.3	820	36.3	9.739	41.325	B820	14D15-	3
367	35.8	1.6	600	35.8	8.776	41.940	B600	14D15-	3
393	33.4	3.8	1238	33.4	13.369	44.955	B1500	14D15-	3
395	33.2	2.1	820	33.2	9.581	45.207	B820	14D15-	3
400	32.8	1.5	600	32.8	9.662	45.739	B600	14D15-	3
407	32.2	3.7	1283	32.2	10.238	46.568	B1500	14D15-	3
427	30.7	5.8	1347	30.7	13.568	48.912	B2700	14D15-	3
437	30.0	1.4	600	30.0	9.517	50.036	B600	14D15-	3
442	29.7	1.9	820	29.7	9.570	50.543	B820	14D15-	3



Technical data

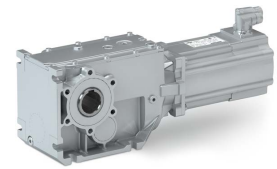
Selection tables
Inverter mains connection 400 V, Self-ventilated

Inverter operation							Geared motor		Number of stages
M_2	n_2	c	$M_{2, \max}$	$n_{2, \text{th}}$	J	i			
Nm	rpm		Nm	rpm	kgcm ²				
454	28.9	3.3	1430	28.9	9.585	51.920	B1500	14D15-	3
473	27.7	4.9	1490	27.7	9.213	54.082	B2700	14D15-	3
485	27.1	1.2	600	27.1	8.978	55.447	B600	14D15-	3
491	26.7	0.9	450	26.7	8.575	56.154	B450	14D15-	3
499	26.3	3.0	1500	26.3	9.564	57.074	B1500	14D15-	3
504	26.0	1.6	820	26.0	9.219	57.662	B820	14D15-	3
511	25.7	2.9	1500	25.7	11.057	58.422	B1500	14D15-	3
519	25.3	4.9	1636	25.3	9.213	59.393	B2700	14D15-	3
544	24.1	0.8	450	24.1	8.571	62.262	B450	14D15-	3
558	23.5	1.1	600	23.5	9.179	63.822	B600	14D15-	3
561	23.4	2.7	1500	23.4	11.040	64.221	B1500	14D15-	3
563	23.3	1.5	820	23.3	9.212	64.468	B820	14D15-	3
563	23.3	4.8	1775	23.3	17.270	64.452	B2700	14D15-	3
617	21.2	1.3	820	21.2	8.991	70.636	B820	14D15-	3
625	21.0	2.4	1500	21.0	10.418	71.566	B1500	14D15-	3
629	20.8	4.3	1982	20.8	15.366	71.951	B2700	14D15-	3
631	20.8	1.0	600	20.8	8.637	72.170	B600	14D15-	3
672	19.5	4.0	2117	19.5	10.709	76.862	B2700	14D15-	3
683	19.2	0.9	600	19.2	8.965	78.182	B600	14D15-	3
690	19.0	1.2	820	19.0	8.987	78.973	B820	14D15-	3
742	17.7	3.3	2340	17.7	10.023	84.940	B2700	14D15-	3
803	16.3	1.0	820	16.3	8.592	91.939	B820	14D15-	3
814	16.1	1.8	1500	16.1	9.712	93.150	B1500	14D15-	3
815	16.1	3.3	2570	16.1	10.004	93.283	B2700	14D15-	3
852	15.4	3.2	2685	15.4	12.557	97.481	B2700	14D15-	3
852	15.4	5.1	2684	15.4	13.094	97.453	B4300	14D15-	3
889	14.7	0.7	600	14.7	8.629	101.760	B600	14D15-	3
895	14.6	1.7	1500	14.6	9.705	102.396	B1500	14D15-	3
898	14.6	0.9	820	14.6	8.589	102.790	B820	14D15-	3
931	14.1	4.6	2934	14.1	13.060	106.517	B4300	14D15-	3
936	14.0	2.9	2700	14.0	12.542	107.056	B2700	14D15-	3
998	13.1	1.5	1500	13.1	9.213	114.166	B1500	14D15-	3
1034	12.7	2.6	2700	12.7	9.213	118.370	B2700	14D15-	3
1034	12.7	4.2	3260	12.7	9.213	118.336	B4300	14D15-	3
1097	12.0	1.4	1500	12.0	9.213	125.498	B1500	14D15-	3
1130	11.6	3.8	3563	11.6	9.213	129.342	B4300	14D15-	3
1136	11.5	2.4	2700	11.5	9.213	129.996	B2700	14D15-	3
1338	9.8	3.2	4218	9.8	10.517	153.141	B4300	14D15-	3
1339	9.8	2.0	2700	9.8	10.299	153.185	B2700	14D15-	3
1463	9.0	2.9	4300	9.0	10.503	167.383	B4300	14D15-	3
1470	8.9	1.8	2700	8.9	10.293	168.230	B2700	14D15-	3
1624	8.1	2.7	4300	8.1	9.873	185.857	B4300	14D15-	3
1625	8.1	1.7	2700	8.1	9.726	185.911	B2700	14D15-	3
1775	7.4	2.4	4300	7.4	9.864	203.143	B4300	14D15-	3
1784	7.3	1.5	2700	7.3	9.722	204.170	B2700	14D15-	3

Technical data

Selection tables

Inverter mains connection 400 V, Self-ventilated



1.6 kW

Inverter operation						i	Geared motor		Number of stages
M ₂	n ₂	c	M _{2, max}	n _{2, th}	J				
Nm	rpm		Nm	rpm	kgcm ²				
18.0	828	5.7	93.0	739	3.644	4.889	B240	09H41-	2
19.0	781	2.7	69.0	617	2.693	5.185	B110	09H41-	2
22.0	679	2.4	72.0	527	2.605	5.963	B110	09H41-	2
23.0	647	4.8	119	609	3.051	6.257	B240	09H41-	2
25.0	590	5.7	130	527	4.382	6.860	B450	09H41-	3
25.0	588	5.2	131	441	3.574	6.883	B240	09H41-	2
26.0	570	2.2	77.0	484	2.378	7.111	B110	09H41-	2
28.0	518	4.8	149	382	3.413	7.817	B240	09H41-	2
30.0	495	2.0	81.0	415	2.331	8.178	B110	09H41-	2
33.0	445	1.8	84.0	424	2.223	9.101	B110	09H41-	2
34.0	429	4.0	179	360	2.954	9.440	B240	09H41-	2
34.0	425	5.6	181	379	5.661	9.520	B820	09H41-	3
34.0	421	4.1	98.0	421	10.272	3.565	B240	12H15-	2
38.0	387	1.7	89.0	353	2.195	10.466	B110	09H41-	2
39.0	378	3.8	204	313	2.868	10.720	B240	09H41-	2
41.0	354	1.6	90.0	324	2.155	11.449	B110	09H41-	2
44.0	335	3.4	208	298	2.629	12.081	B240	09H41-	2
44.0	334	4.8	231	317	4.420	12.143	B820	09H41-	3
46.0	319	1.4	90.0	319	2.093	12.698	B110	09H41-	2
46.0	317	5.7	243	283	3.768	12.775	B450	09H41-	3
46.0	307	3.2	135	307	9.044	4.889	B240	12H15-	2
47.0	303	5.8	137	303	18.822	4.958	B820	12H15-	3
48.0	303	5.9	254	264	4.406	13.369	B600	09H41-	3
48.0	303	5.9	254	264	5.601	13.370	B820	09H41-	3
48.0	300	4.6	138	300	11.660	5.002	B450	12H15-	3
48.0	296	5.8	140	296	14.031	5.067	B600	12H15-	3
50.0	295	3.2	217	259	2.577	13.719	B240	09H41-	2
51.0	286	5.7	269	255	3.691	14.165	B450	09H41-	3
53.0	277	1.2	90.0	263	2.078	14.603	B110	09H41-	2
53.0	277	5.6	278	247	5.104	14.626	B820	09H41-	3
54.0	270	3.0	223	243	2.486	15.008	B240	09H41-	2
56.0	260	1.2	92.0	260	2.043	15.556	B110	09H41-	2
59.0	248	4.8	311	233	3.127	16.349	B450	09H41-	3
59.0	248	5.6	311	221	4.996	16.352	B820	09H41-	3
59.0	240	2.6	156	240	8.451	6.257	B240	12H15-	2
61.0	240	2.8	240	240	2.347	16.857	B240	09H41-	2
65.0	226	1.1	96.0	226	2.033	17.889	B110	09H41-	2
65.0	226	4.5	340	219	2.946	17.885	B450	09H41-	3
65.0	221	4.8	187	221	14.011	6.800	B820	12H15-	3
65.0	219	3.9	189	219	9.782	6.860	B450	12H15-	3
65.0	218	2.7	179	218	8.974	6.883	B240	12H15-	2
66.0	216	4.8	191	216	11.463	6.949	B600	12H15-	3
67.0	217	4.8	354	206	4.078	18.655	B820	09H41-	3
68.0	215	5.9	358	187	4.188	18.851	B600	09H41-	3
69.0	212	2.5	240	212	2.320	19.143	B240	09H41-	2
72.0	204	4.5	377	197	2.906	19.831	B450	09H41-	3
72.0	197	5.8	210	197	13.090	7.617	B600	12H15-	3
72.0	197	5.8	210	197	16.772	7.618	B820	12H15-	3
74.0	196	5.6	392	175	3.923	20.622	B600	09H41-	3
74.0	192	2.5	187	192	8.813	7.817	B240	12H15-	2
75.0	196	2.3	240	196	2.240	20.650	B240	09H41-	2



Technical data

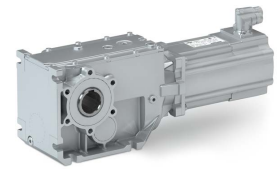
Selection tables
Inverter mains connection 400 V, Self-ventilated

Inverter operation						Geared motor			Number of stages
M_2	n_2	c	$M_{2, \max}$	$n_{2, \text{th}}$	J	i			
Nm	rpm		Nm	rpm	kgcm ²				
75.0	194	4.8	396	184	4.011	20.857	B820	09H41-	3
81.0	176	5.7	235	176	16.371	8.517	B820	12H15-	3
82.0	178	3.8	433	178	2.602	22.813	B450	09H41-	3
82.0	177	4.1	434	177	3.088	22.852	B600	09H41-	3
82.0	177	4.1	434	177	3.497	22.853	B820	09H41-	3
85.0	173	2.0	240	173	2.222	23.450	B240	09H41-	2
88.0	161	4.2	257	161	10.506	9.315	B450	12H15-	3
90.0	159	2.1	191	159	8.354	9.440	B240	12H15-	2
90.0	158	3.9	262	158	11.061	9.520	B820	12H15-	3
91.0	160	3.5	450	160	2.578	25.294	B450	09H41-	3
92.0	159	4.1	485	159	3.453	25.550	B820	09H41-	3
97.0	151	1.8	240	151	2.111	26.878	B240	09H41-	2
98.0	145	3.9	285	145	10.360	10.328	B450	12H15-	3
99.0	144	4.8	288	144	12.920	10.447	B820	12H15-	3
101	145	3.2	450	145	2.410	27.945	B450	09H41-	3
102	140	2.0	204	140	8.268	10.720	B240	12H15-	2
102	140	5.3	296	140	12.418	10.741	B600	12H15-	3
105	139	5.9	555	122	6.194	29.206	B1500	09H41-	3
107	136	3.3	488	136	2.620	29.744	B600	09H41-	3
107	136	3.3	488	136	2.809	29.745	B820	09H41-	3
110	133	1.6	240	133	2.100	30.522	B240	09H41-	2
111	128	4.8	322	128	12.707	11.680	B820	12H15-	3
112	131	2.9	450	131	2.394	30.985	B450	09H41-	3
115	124	1.8	208	124	8.029	12.081	B240	12H15-	2
115	124	3.3	334	124	9.820	12.143	B820	12H15-	3
117	125	3.7	600	99.6	3.499	32.439	B600	09H41-	3
121	121	1.4	240	121	2.052	33.433	B240	09H41-	2
121	117	3.3	352	117	9.168	12.775	B450	12H15-	3
125	114	4.8	361	114	14.961	13.118	B1500	12H15-	3
127	112	4.0	368	112	9.806	13.369	B600	12H15-	3
127	112	4.0	368	112	11.001	13.370	B820	12H15-	3
130	109	1.7	217	109	7.977	13.719	B240	12H15-	2
131	111	2.5	450	111	2.211	36.373	B450	09H41-	3
134	110	2.7	507	110	2.380	36.999	B600	09H41-	3
134	110	2.7	507	110	2.536	37.000	B820	09H41-	3
135	106	3.1	390	106	9.091	14.165	B450	12H15-	3
137	107	1.3	240	107	2.046	37.967	B240	09H41-	2
139	103	3.9	403	103	10.504	14.626	B820	12H15-	3
140	102	4.3	406	102	10.606	14.730	B600	12H15-	3
143	99.9	1.6	223	99.9	7.886	15.008	B240	12H15-	2
146	100	2.5	450	100	2.202	40.330	B450	09H41-	3
149	98.0	4.5	785	81.2	3.539	41.325	B820	09H41-	3
151	96.6	3.2	600	96.6	2.576	41.940	B600	09H41-	3
155	91.7	2.8	434	91.7	8.527	16.349	B450	12H15-	3
155	91.7	3.9	450	91.7	10.396	16.352	B820	12H15-	3
160	89.0	1.5	240	89.0	7.747	16.857	B240	12H15-	2
163	89.6	4.1	820	75.4	3.381	45.207	B820	09H41-	3
163	89.5	2.3	450	89.5	2.117	45.245	B450	09H41-	3
165	88.5	3.0	600	67.6	3.462	45.739	B600	09H41-	3
168	87.0	4.6	885	87.0	4.038	46.568	B1500	09H41-	3
170	83.9	2.6	446	83.9	8.346	17.885	B450	12H15-	3
177	80.7	5.0	512	80.7	15.497	18.598	B1500	12H15-	3

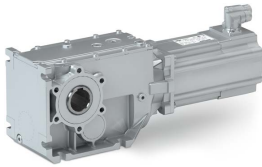
Technical data

Selection tables

Inverter mains connection 400 V, Self-ventilated



Inverter operation							Geared motor		Number of stages
M_2	n_2	c	$M_{2, max}$	$n_{2, th}$	J	i			
Nm	rpm		Nm	rpm	kgcm ²				
177	80.4	3.3	514	80.4	9.478	18.655	B820	12H15-	3
179	79.6	3.4	519	79.6	9.588	18.851	B600	12H15-	3
181	80.9	2.7	600	62.8	3.317	50.036	B600	09H41-	3
181	80.7	2.0	450	80.7	2.111	50.167	B450	09H41-	3
182	80.1	3.7	820	66.0	3.370	50.543	B820	09H41-	3
182	78.4	1.3	240	78.4	7.720	19.143	B240	12H15-	2
187	78.0	4.0	906	78.0	3.385	51.920	B1500	09H41-	3
188	75.6	2.4	450	75.6	8.306	19.831	B450	12H15-	3
194	73.4	5.0	563	73.4	15.331	20.444	B1500	12H15-	3
196	72.7	3.1	568	72.7	9.323	20.622	B600	12H15-	3
196	72.6	1.2	240	72.6	7.640	20.650	B240	12H15-	2
198	71.9	3.3	575	71.9	9.411	20.857	B820	12H15-	3
200	73.0	2.5	600	72.8	2.778	55.447	B600	09H41-	3
203	72.1	1.8	450	68.8	2.375	56.154	B450	09H41-	3
206	71.0	4.0	996	71.0	3.364	57.074	B1500	09H41-	3
208	70.2	3.2	820	62.4	3.019	57.662	B820	09H41-	3
211	69.3	5.8	1110	60.6	4.857	58.422	B1500	09H41-	3
217	65.8	2.1	450	65.8	8.002	22.813	B450	12H15-	3
217	65.6	2.8	600	65.6	8.488	22.852	B600	12H15-	3
217	65.6	2.8	605	65.6	8.897	22.853	B820	12H15-	3
217	65.5	4.8	631	65.5	13.915	22.898	B1500	12H15-	3
220	64.6	5.0	639	64.6	30.067	23.206	B4300	12H15-	3
223	64.0	1.1	240	64.0	7.622	23.450	B240	12H15-	2
225	65.0	1.6	450	58.8	2.371	62.262	B450	09H41-	3
230	63.5	2.1	600	52.2	2.979	63.822	B600	09H41-	3
232	63.1	5.3	1220	54.2	4.840	64.221	B1500	09H41-	3
233	62.8	2.9	820	54.7	3.012	64.468	B820	09H41-	3
240	59.3	1.9	450	59.3	7.978	25.294	B450	12H15-	3
241	59.2	0.8	240	41.8	1.993	68.459	B240	09H41-	3
241	59.2	2.5	600	59.2	9.477	25.347	B600	12H15-	3
241	59.1	5.0	699	59.1	29.470	25.365	B4300	12H15-	3
243	58.7	2.8	676	58.7	8.853	25.550	B820	12H15-	3
244	60.0	2.0	600	60.0	2.181	67.513	B600	09H41-	3
248	58.9	1.5	450	56.9	2.259	68.788	B450	09H41-	3
248	57.6	2.4	600	57.6	10.182	26.061	B600	12H15-	3
250	57.0	3.3	725	57.0	10.377	26.324	B820	12H15-	3
255	57.3	2.6	820	57.3	2.791	70.636	B820	09H41-	3
255	55.9	5.0	739	55.9	19.488	26.814	B2700	12H15-	3
260	56.1	1.9	600	56.1	2.437	72.170	B600	09H41-	3
265	53.7	1.7	450	53.7	7.810	27.945	B450	12H15-	3
271	54.0	3.1	1024	54.0	2.806	74.963	B1500	09H41-	3
274	52.1	0.7	240	32.4	1.991	77.741	B240	09H41-	3
275	53.1	1.3	450	49.1	2.256	76.271	B450	09H41-	3
277	51.4	4.0	805	51.4	11.594	29.206	B1500	12H15-	3
280	50.9	5.0	811	50.9	19.299	29.447	B2700	12H15-	3
282	51.8	1.7	600	46.2	2.765	78.182	B600	09H41-	3
283	50.4	2.1	600	50.4	8.020	29.744	B600	12H15-	3
283	50.4	2.2	630	50.4	8.209	29.745	B820	12H15-	3
285	51.3	2.4	820	50.7	2.787	78.973	B820	09H41-	3
294	48.4	1.5	450	48.4	7.794	30.985	B450	12H15-	3
296	49.4	1.7	600	49.4	2.105	81.937	B600	09H41-	3
299	48.9	2.6	943	48.9	2.567	82.762	B1500	09H41-	3



Technical data

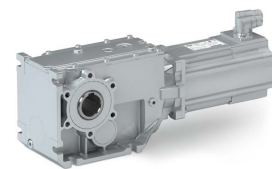
Selection tables
Inverter mains connection 400 V, Self-ventilated

Inverter operation							Geared motor		Number of stages
M_2	n_2	c	$M_{2, \max}$	$n_{2, \text{th}}$	J	i			
Nm	rpm		Nm	rpm	kgcm ²				
307	46.5	2.7	820	46.5	9.543	32.291	B820	12H15-	3
308	46.2	2.0	600	46.2	8.899	32.439	B600	12H15-	3
309	46.1	3.5	897	46.1	10.563	32.547	B1500	12H15-	3
323	45.2	1.1	450	45.2	2.122	89.534	B450	09H41-	3
324	45.1	1.5	600	45.1	2.261	89.772	B600	09H41-	3
328	44.5	2.6	1036	44.5	2.558	90.978	B1500	09H41-	3
332	44.1	2.0	820	44.1	2.392	91.939	B820	09H41-	3
336	43.5	3.6	1500	43.5	3.512	93.150	B1500	09H41-	3
339	42.0	1.8	600	42.0	9.417	35.740	B600	12H15-	3
340	41.9	3.5	986	41.9	10.510	35.778	B1500	12H15-	3
343	41.5	2.4	820	41.5	9.520	36.102	B820	12H15-	3
351	40.5	1.7	600	40.5	7.780	36.999	B600	12H15-	3
351	40.5	1.9	654	40.5	7.936	37.000	B820	12H15-	3
358	40.8	1.0	450	40.8	2.120	99.274	B450	09H41-	3
366	38.9	3.4	1062	38.9	16.671	38.546	B4300	12H15-	3
367	39.8	1.3	600	36.6	2.429	101.760	B600	09H41-	3
370	39.6	3.3	1500	39.6	3.505	102.396	B1500	09H41-	3
371	39.4	1.8	820	39.4	2.389	102.790	B820	09H41-	3
388	36.7	3.9	1126	36.7	12.603	40.895	B1500	12H15-	3
393	36.3	2.1	820	36.3	8.939	41.325	B820	12H15-	3
398	35.8	1.5	600	35.8	7.976	41.940	B600	12H15-	3
402	36.4	1.0	450	36.4	2.060	111.372	B450	09H41-	3
412	35.5	3.3	1500	35.5	3.013	114.166	B1500	09H41-	3
413	35.4	1.8	820	35.4	2.266	114.364	B820	09H41-	3
419	34.9	1.3	600	34.9	2.127	116.175	B600	09H41-	3
427	33.4	3.5	1238	33.4	12.569	44.955	B1500	12H15-	3
429	33.2	1.9	820	33.2	8.781	45.207	B820	12H15-	3
434	32.8	1.4	600	32.8	8.862	45.739	B600	12H15-	3
442	32.2	2.8	1223	32.2	9.438	46.568	B1500	12H15-	3
446	32.8	0.9	450	32.8	2.059	123.487	B450	09H41-	3
453	32.3	3.0	1500	32.3	3.013	125.498	B1500	09H41-	3
457	32.0	1.2	600	32.0	2.256	126.580	B600	09H41-	3
462	31.7	1.6	820	31.7	2.265	127.861	B820	09H41-	3
465	30.7	3.4	1347	30.7	12.768	48.912	B2700	12H15-	3
475	30.0	1.3	600	30.0	8.717	50.036	B600	12H15-	3
480	29.7	1.7	820	29.7	8.770	50.543	B820	12H15-	3
493	28.9	2.4	1166	28.9	8.785	51.920	B1500	12H15-	3
509	28.7	1.1	600	28.7	2.068	140.995	B600	09H41-	3
514	27.7	2.9	1490	27.7	8.413	54.082	B2700	12H15-	3
527	27.1	1.1	600	27.1	8.178	55.447	B600	12H15-	3
533	26.7	0.8	450	26.7	7.775	56.154	B450	12H15-	3
534	27.4	1.4	820	27.4	2.130	148.000	B820	09H41-	3
541	27.0	2.5	1500	27.0	2.603	149.949	B1500	09H41-	3
542	26.3	2.4	1282	26.3	8.764	57.074	B1500	12H15-	3
548	26.0	1.5	820	26.0	8.419	57.662	B820	12H15-	3
555	25.7	2.7	1500	25.7	10.257	58.422	B1500	12H15-	3
557	25.6	5.0	1616	25.6	17.992	58.671	B4300	12H15-	3
564	25.3	2.9	1636	25.3	8.413	59.393	B2700	12H15-	3
591	24.7	0.9	600	24.7	2.124	163.810	B600	09H41-	3
591	24.1	0.8	450	24.1	7.771	62.262	B450	12H15-	3
595	24.6	2.3	1500	24.6	2.600	164.833	B1500	09H41-	3
597	24.5	1.2	820	24.5	2.129	165.467	B820	09H41-	3

Technical data

Selection tables

Inverter mains connection 400 V, Self-ventilated



Inverter operation							Geared motor		Number of stages
M_2	n_2	c	$M_{2, \max}$	$n_{2, \text{th}}$	J	i			
Nm	rpm		Nm	rpm	kgcm ²				
606	23.5	1.0	600	23.5	8.379	63.822	B600	12H15-	3
609	23.4	5.0	1766	23.4	17.898	64.127	B4300	12H15-	3
610	23.4	2.5	1500	23.4	10.240	64.221	B1500	12H15-	3
612	23.3	1.3	820	23.3	8.412	64.468	B820	12H15-	3
612	23.3	4.4	1775	23.3	16.470	64.452	B2700	12H15-	3
648	22.5	1.1	820	22.5	2.070	179.618	B820	09H41-	3
653	21.8	0.7	450	21.8	7.659	68.788	B450	12H15-	3
657	22.3	2.1	1500	22.3	2.421	181.983	B1500	09H41-	3
671	21.2	1.2	820	21.2	8.191	70.636	B820	12H15-	3
680	21.0	2.2	1500	21.0	9.618	71.566	B1500	12H15-	3
686	20.8	0.9	600	20.8	7.837	72.170	B600	12H15-	3
712	20.0	1.9	1318	20.0	8.206	74.963	B1500	12H15-	3
718	20.4	0.8	600	20.4	2.066	198.805	B600	09H41-	3
722	20.2	1.9	1500	20.2	2.419	200.048	B1500	09H41-	3
724	19.7	0.6	450	19.7	7.656	76.271	B450	12H15-	3
725	20.2	1.0	820	20.2	2.069	200.816	B820	09H41-	3
730	19.5	2.3	1700	19.5	9.909	76.862	B2700	12H15-	3
743	19.2	0.8	600	19.2	8.165	78.182	B600	12H15-	3
750	19.0	1.1	820	19.0	8.187	78.973	B820	12H15-	3
786	18.1	1.5	1213	18.1	7.967	82.762	B1500	12H15-	3
807	17.7	1.9	1568	17.7	9.223	84.940	B2700	12H15-	3
830	17.6	1.6	1500	17.6	2.236	230.035	B1500	09H41-	3
853	16.7	0.7	600	16.7	7.661	89.772	B600	12H15-	3
864	16.5	1.5	1333	16.5	7.958	90.978	B1500	12H15-	3
873	16.3	0.9	820	16.3	7.792	91.939	B820	12H15-	3
885	16.1	1.7	1500	16.1	8.912	93.150	B1500	12H15-	3
886	16.1	1.9	1722	16.1	9.204	93.283	B2700	12H15-	3
913	16.0	1.5	1500	16.0	2.235	252.869	B1500	09H41-	3
926	15.4	2.9	2685	15.4	11.757	97.481	B2700	12H15-	3
926	15.4	3.4	2684	15.4	12.294	97.453	B4300	12H15-	3
967	14.7	0.6	600	14.7	7.829	101.760	B600	12H15-	3
973	14.6	1.5	1500	14.6	8.905	102.396	B1500	12H15-	3
976	14.6	0.8	820	14.6	7.789	102.790	B820	12H15-	3
1012	14.1	3.4	2934	14.1	12.260	106.517	B4300	12H15-	3
1017	14.0	2.7	2700	14.0	11.742	107.056	B2700	12H15-	3
1084	13.1	1.4	1500	13.1	8.413	114.166	B1500	12H15-	3
1086	13.1	0.8	820	13.1	7.666	114.364	B820	12H15-	3
1124	12.7	2.4	2700	12.7	8.413	118.370	B2700	12H15-	3
1124	12.7	2.9	3260	12.7	8.413	118.336	B4300	12H15-	3
1192	12.0	1.3	1500	12.0	8.413	125.498	B1500	12H15-	3
1214	11.7	0.7	820	11.7	7.665	127.861	B820	12H15-	3
1229	11.6	2.9	3563	11.6	8.413	129.342	B4300	12H15-	3
1235	11.5	2.2	2700	11.5	8.413	129.996	B2700	12H15-	3
1424	10.0	1.1	1500	10.0	8.003	149.949	B1500	12H15-	3
1455	9.8	1.9	2700	9.8	9.499	153.185	B2700	12H15-	3
1455	9.8	2.3	3388	9.8	9.717	153.141	B4300	12H15-	3
1566	9.1	1.0	1500	9.1	8.000	164.833	B1500	12H15-	3
1590	9.0	2.3	3703	9.0	9.703	167.383	B4300	12H15-	3
1598	8.9	1.7	2700	8.9	9.493	168.230	B2700	12H15-	3
1729	8.2	0.9	1500	8.2	7.821	181.983	B1500	12H15-	3
1765	8.1	1.9	3430	8.1	9.073	185.857	B4300	12H15-	3
1766	8.1	1.5	2700	8.1	8.926	185.911	B2700	12H15-	3



Technical data

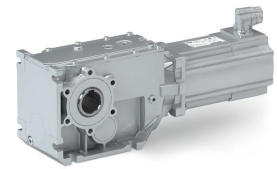
Selection tables
 Inverter mains connection 400 V, Self-ventilated

Inverter operation							Geared motor		Number of stages
M_2	n_2	c	$M_{2, \max}$	$n_{2, \text{th}}$	J	i			
Nm	rpm		Nm	rpm	kgcm ²				
1900	7.5	0.8	1500	7.5	7.819	200.048	B1500	12H15-	3
1930	7.4	1.9	3749	7.4	9.064	203.143	B4300	12H15-	3
1939	7.3	1.4	2700	7.3	8.922	204.170	B2700	12H15-	3
2232	6.4	1.2	2700	6.4	8.380	235.000	B2700	12H15-	3
2232	6.4	1.6	3474	6.4	8.473	234.932	B4300	12H15-	3
2439	5.8	1.6	3798	5.8	8.467	256.781	B4300	12H15-	3
2451	5.8	1.1	2700	5.8	8.378	258.080	B2700	12H15-	3

Technical data

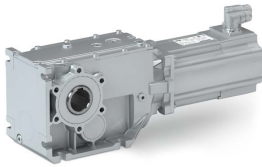
Selection tables

Inverter mains connection 400 V, Self-ventilated



1.8 kW

Inverter operation							Geared motor		Number of stages
M_2	n_2	c	$M_{2, max}$	$n_{2, th}$	J	i			
Nm	rpm		Nm	rpm	kgcm ²				
20.0	828	5.3	84.0	730	5.744	4.889	B240	12D41-	2
26.0	647	4.4	107	601	5.151	6.257	B240	12D41-	2
28.0	588	4.6	118	431	5.674	6.883	B240	12D41-	2
32.0	518	4.2	134	373	5.513	7.817	B240	12D41-	2
39.0	429	3.6	161	351	5.054	9.440	B240	12D41-	2
44.0	378	3.4	183	306	4.968	10.720	B240	12D41-	2
49.0	335	3.0	207	292	4.729	12.081	B240	12D41-	2
50.0	334	5.4	208	324	6.520	12.143	B820	12D41-	3
52.0	317	5.6	218	282	5.868	12.775	B450	12D41-	3
56.0	295	2.8	217	253	4.677	13.719	B240	12D41-	2
58.0	286	5.2	242	252	5.791	14.165	B450	12D41-	3
61.0	270	2.6	223	237	4.586	15.008	B240	12D41-	2
67.0	248	4.7	280	232	5.227	16.349	B450	12D41-	3
69.0	240	2.5	240	240	4.447	16.857	B240	12D41-	2
73.0	226	4.4	306	218	5.046	17.885	B450	12D41-	3
76.0	217	5.4	319	211	6.178	18.655	B820	12D41-	3
77.0	215	5.6	322	186	6.288	18.851	B600	12D41-	3
78.0	212	2.2	240	212	4.420	19.143	B240	12D41-	2
81.0	204	4.0	339	193	5.006	19.831	B450	12D41-	3
84.0	196	5.1	353	172	6.023	20.622	B600	12D41-	3
84.0	196	2.0	240	196	4.340	20.650	B240	12D41-	2
85.0	194	5.4	357	189	6.111	20.857	B820	12D41-	3
93.0	178	3.5	390	178	4.702	22.813	B450	12D41-	3
93.0	177	4.6	391	177	5.188	22.852	B600	12D41-	3
93.0	177	4.7	391	177	5.597	22.853	B820	12D41-	3
96.0	173	1.8	240	173	4.322	23.450	B240	12D41-	2
103	160	3.1	432	160	4.678	25.294	B450	12D41-	3
104	160	4.2	433	113	6.177	25.347	B600	12D41-	3
104	159	4.7	437	159	5.553	25.550	B820	12D41-	3
106	155	4.1	446	93.9	6.882	26.061	B600	12D41-	3
108	154	5.5	450	98.8	7.077	26.324	B820	12D41-	3
114	145	2.8	450	145	4.510	27.945	B450	12D41-	3
121	136	3.6	509	136	4.720	29.744	B600	12D41-	3
121	136	3.7	509	136	4.909	29.745	B820	12D41-	3
127	131	2.6	450	131	4.494	30.985	B450	12D41-	3
132	125	4.5	552	89.7	6.243	32.291	B820	12D41-	3
132	125	3.3	555	97.1	5.599	32.439	B600	12D41-	3
133	124	5.8	556	118	7.263	32.547	B1500	12D41-	3
146	113	3.0	600	74.4	6.117	35.740	B600	12D41-	3
146	113	5.8	612	107	7.210	35.778	B1500	12D41-	3
147	112	4.0	617	78.5	6.220	36.102	B820	12D41-	3
151	110	2.9	600	110	4.480	36.999	B600	12D41-	3
151	110	3.1	633	110	4.636	37.000	B820	12D41-	3
157	105	5.7	659	98.5	13.371	38.546	B4300	12D41-	3
169	98.0	4.0	707	79.3	5.639	41.325	B820	12D41-	3
171	96.6	2.9	600	96.6	4.676	41.940	B600	12D41-	3
185	89.6	3.6	773	73.6	5.481	45.207	B820	12D41-	3
187	88.5	2.6	600	65.9	5.562	45.739	B600	12D41-	3
190	87.0	5.3	796	87.0	6.138	46.568	B1500	12D41-	3
204	80.9	2.4	600	61.2	5.417	50.036	B600	12D41-	3
206	80.1	3.2	820	64.5	5.470	50.543	B820	12D41-	3



Technical data

Selection tables
Inverter mains connection 400 V, Self-ventilated

Inverter operation							Geared motor		Number of stages
M_2	n_2	c	$M_{2, \max}$	$n_{2, \text{th}}$	J	i			
Nm	rpm		Nm	rpm	kgcm ²				
212	78.0	4.5	888	78.0	5.485	51.920	B1500	12D41-	3
221	74.9	5.5	925	74.9	5.113	54.082	B2700	12D41-	3
226	73.0	2.2	600	71.1	4.878	55.447	B600	12D41-	3
229	72.1	1.6	450	64.5	4.475	56.154	B450	12D41-	3
233	71.0	4.5	976	71.0	5.464	57.074	B1500	12D41-	3
236	70.2	2.8	820	61.0	5.119	57.662	B820	12D41-	3
239	69.3	5.1	999	59.3	6.957	58.422	B1500	12D41-	3
243	68.2	5.5	1015	68.2	5.113	59.393	B2700	12D41-	3
254	65.0	1.4	450	55.3	4.471	62.262	B450	12D41-	3
261	63.5	1.9	600	50.2	5.079	63.822	B600	12D41-	3
262	63.1	4.7	1098	53.0	6.940	64.221	B1500	12D41-	3
263	62.8	2.5	820	53.5	5.112	64.468	B820	12D41-	3
281	58.9	1.3	450	54.0	4.359	68.788	B450	12D41-	3
289	57.3	2.3	820	56.6	4.891	70.636	B820	12D41-	3
292	56.6	4.2	1224	50.6	6.318	71.566	B1500	12D41-	3
295	56.1	1.7	600	56.1	4.537	72.170	B600	12D41-	3
306	54.0	3.5	1282	54.0	4.906	74.963	B1500	12D41-	3
312	53.1	1.2	450	46.8	4.356	76.271	B450	12D41-	3
314	52.7	4.4	1314	52.7	6.609	76.862	B2700	12D41-	3
319	51.8	1.5	600	43.3	4.865	78.182	B600	12D41-	3
323	51.3	2.1	820	49.5	4.887	78.973	B820	12D41-	3
338	48.9	2.9	1213	48.9	4.667	82.762	B1500	12D41-	3
347	47.7	3.7	1452	47.7	5.923	84.940	B2700	12D41-	3
367	45.1	1.3	600	45.1	4.361	89.772	B600	12D41-	3
372	44.5	2.9	1333	44.5	4.658	90.978	B1500	12D41-	3
376	44.1	1.8	820	44.1	4.492	91.939	B820	12D41-	3
380	43.5	3.2	1500	43.5	5.612	93.150	B1500	12D41-	3
381	43.4	3.7	1595	43.4	5.904	93.283	B2700	12D41-	3
398	41.5	5.5	1667	38.8	8.457	97.481	B2700	12D41-	3
416	39.8	1.2	600	34.8	4.529	101.760	B600	12D41-	3
418	39.6	2.9	1500	39.6	5.605	102.396	B1500	12D41-	3
420	39.4	1.6	820	39.1	4.489	102.790	B820	12D41-	3
437	37.8	5.0	1830	34.8	8.442	107.056	B2700	12D41-	3
466	35.5	2.9	1500	35.5	5.113	114.166	B1500	12D41-	3
467	35.4	1.6	820	35.4	4.366	114.364	B820	12D41-	3
483	34.2	5.1	2024	34.2	5.113	118.370	B2700	12D41-	3
513	32.3	2.7	1500	32.3	5.113	125.498	B1500	12D41-	3
517	32.0	1.1	600	31.7	4.356	126.580	B600	12D41-	3
522	31.7	1.4	820	31.7	4.365	127.861	B820	12D41-	3
531	31.2	4.6	2223	31.2	5.113	129.996	B2700	12D41-	3
612	27.0	2.2	1500	27.0	4.703	149.949	B1500	12D41-	3
625	26.4	4.9	2618	26.4	6.417	153.141	B4300	12D41-	3
626	26.4	3.9	2619	26.4	6.199	153.185	B2700	12D41-	3
673	24.6	2.0	1500	24.6	4.700	164.833	B1500	12D41-	3
684	24.2	4.9	2862	24.2	6.403	167.383	B4300	12D41-	3
687	24.1	3.6	2700	24.1	6.193	168.230	B2700	12D41-	3
743	22.3	1.8	1500	22.3	4.521	181.983	B1500	12D41-	3
759	21.8	3.2	2700	21.8	5.626	185.911	B2700	12D41-	3
759	21.8	4.1	3178	21.8	5.773	185.857	B4300	12D41-	3
817	20.2	1.7	1500	20.2	4.519	200.048	B1500	12D41-	3
830	19.9	4.1	3473	19.9	5.764	203.143	B4300	12D41-	3
834	19.8	2.9	2700	19.8	5.622	204.170	B2700	12D41-	3

Technical data

Selection tables

Inverter mains connection 400 V, Self-ventilated



Inverter operation						Geared motor			Number of stages
M_2	n_2	c	$M_{2, \max}$	$n_{2, \text{th}}$	J	i			
Nm	rpm		Nm	rpm	kgcm²				
960	17.2	2.6	2700	17.2	5.080	235.000	B2700	12D41-	3
960	17.2	3.3	3474	17.2	5.173	234.932	B4300	12D41-	3
1049	15.8	3.3	3798	15.8	5.167	256.781	B4300	12D41-	3
1054	15.7	2.3	2700	15.7	5.078	258.080	B2700	12D41-	3



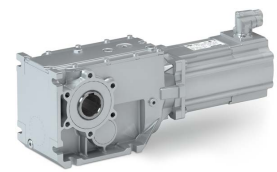
1.9 kW

Inverter operation							Geared motor		Number of stages
M_2	n_2	c	$M_{2, max}$	$n_{2, th}$	J	i			
Nm	rpm		Nm	rpm	kgcm ²				
15.0	1136	5.4	108	860	5.772	3.565	B240	09L41-	2
21.0	828	4.8	139	717	4.544	4.889	B240	09L41-	2
21.0	810	5.4	152	613	7.160	5.002	B450	09L41-	3
22.0	781	2.2	69.0	597	3.593	5.185	B110	09L41-	2
25.0	679	2.0	72.0	508	3.505	5.963	B110	09L41-	2
27.0	647	4.0	150	592	3.951	6.257	B240	09L41-	2
29.0	590	4.8	195	511	5.282	6.860	B450	09L41-	3
29.0	588	4.4	179	427	4.474	6.883	B240	09L41-	2
30.0	570	1.8	77.0	458	3.278	7.111	B110	09L41-	2
33.0	518	4.0	187	370	4.313	7.817	B240	09L41-	2
35.0	495	1.7	81.0	381	3.231	8.178	B110	09L41-	2
39.0	445	1.6	84.0	388	3.123	9.101	B110	09L41-	2
40.0	435	5.4	283	329	6.006	9.315	B450	09L41-	3
40.0	429	3.4	191	348	3.854	9.440	B240	09L41-	2
41.0	425	4.8	270	368	6.561	9.520	B820	09L41-	3
44.0	392	5.4	314	297	5.860	10.328	B450	09L41-	3
45.0	387	1.4	89.0	325	3.095	10.466	B110	09L41-	2
46.0	378	3.2	204	303	3.768	10.720	B240	09L41-	2
49.0	354	1.3	90.0	300	3.055	11.449	B110	09L41-	2
52.0	335	2.9	208	289	3.529	12.081	B240	09L41-	2
52.0	334	4.0	290	308	5.320	12.143	B820	09L41-	3
54.0	319	1.2	90.0	299	2.993	12.698	B110	09L41-	2
55.0	317	4.8	364	274	4.668	12.775	B450	09L41-	3
57.0	303	5.0	396	256	5.306	13.369	B600	09L41-	3
57.0	303	5.0	396	256	6.501	13.370	B820	09L41-	3
59.0	295	2.7	217	251	3.477	13.719	B240	09L41-	2
61.0	286	4.8	403	247	4.591	14.165	B450	09L41-	3
62.0	277	1.0	90.0	248	2.978	14.603	B110	09L41-	2
63.0	277	4.8	414	240	6.004	14.626	B820	09L41-	3
64.0	270	2.5	223	235	3.386	15.008	B240	09L41-	2
67.0	260	1.0	92.0	260	2.943	15.556	B110	09L41-	2
70.0	248	4.0	391	227	4.027	16.349	B450	09L41-	3
70.0	248	4.8	463	214	5.896	16.352	B820	09L41-	3
72.0	240	2.4	240	240	3.247	16.857	B240	09L41-	2
76.0	226	0.9	96.0	207	2.933	17.889	B110	09L41-	2
76.0	226	3.8	408	213	3.846	17.885	B450	09L41-	3
80.0	217	4.0	445	200	4.978	18.655	B820	09L41-	3
81.0	215	5.0	559	182	5.088	18.851	B600	09L41-	3
82.0	212	2.1	240	212	3.220	19.143	B240	09L41-	2
85.0	204	3.8	450	192	3.806	19.831	B450	09L41-	3
88.0	196	4.8	584	170	4.823	20.622	B600	09L41-	3
88.0	196	2.0	240	196	3.140	20.650	B240	09L41-	2
89.0	194	4.0	498	179	4.911	20.857	B820	09L41-	3
98.0	178	3.2	438	178	3.502	22.813	B450	09L41-	3
98.0	177	3.4	468	177	3.988	22.852	B600	09L41-	3
98.0	177	3.4	468	177	4.397	22.853	B820	09L41-	3
100	173	1.7	240	173	3.122	23.450	B240	09L41-	2
108	160	3.0	450	160	3.478	25.294	B450	09L41-	3
109	159	3.4	523	159	4.353	25.550	B820	09L41-	3
115	151	1.5	240	151	3.011	26.878	B240	09L41-	2
119	145	2.7	450	145	3.310	27.945	B450	09L41-	3

Technical data

Selection tables

Inverter mains connection 400 V, Self-ventilated



Inverter operation							Geared motor		Number of stages
M_2	n_2	c	$M_{2, max}$	$n_{2, th}$	J	i			
Nm	rpm		Nm	rpm	kgcm ²				
125	139	5.0	865	118	7.094	29.206	B1500	09L41-	3
127	136	2.8	488	136	3.520	29.744	B600	09L41-	3
127	136	2.8	488	136	3.709	29.745	B820	09L41-	3
130	133	1.3	240	133	3.000	30.522	B240	09L41-	2
132	131	2.4	450	131	3.294	30.985	B450	09L41-	3
139	125	3.1	600	96.2	4.399	32.439	B600	09L41-	3
143	121	1.2	240	121	2.952	33.433	B240	09L41-	2
155	111	2.1	450	111	3.111	36.373	B450	09L41-	3
158	110	2.3	507	110	3.280	36.999	B600	09L41-	3
158	110	2.3	507	110	3.436	37.000	B820	09L41-	3
162	107	1.1	240	107	2.946	37.967	B240	09L41-	2
172	100	2.1	450	100	3.102	40.330	B450	09L41-	3
177	98.0	3.8	820	78.6	4.439	41.325	B820	09L41-	3
179	96.6	2.7	600	96.6	3.476	41.940	B600	09L41-	3
193	89.6	3.5	820	73.0	4.281	45.207	B820	09L41-	3
193	89.5	1.9	450	89.5	3.017	45.245	B450	09L41-	3
196	88.5	2.5	600	65.2	4.362	45.739	B600	09L41-	3
199	87.0	3.9	951	87.0	4.938	46.568	B1500	09L41-	3
214	80.9	2.3	600	60.7	4.217	50.036	B600	09L41-	3
214	80.7	1.7	450	80.7	3.011	50.167	B450	09L41-	3
216	80.1	3.1	820	63.9	4.270	50.543	B820	09L41-	3
222	78.0	3.3	906	78.0	4.285	51.920	B1500	09L41-	3
237	73.0	2.1	600	70.5	3.678	55.447	B600	09L41-	3
240	72.1	1.5	450	63.1	3.275	56.154	B450	09L41-	3
244	71.0	3.3	996	71.0	4.264	57.074	B1500	09L41-	3
246	70.2	2.7	820	60.5	3.919	57.662	B820	09L41-	3
250	69.3	4.9	1500	58.8	5.757	58.422	B1500	09L41-	3
266	65.0	1.4	450	54.2	3.271	62.262	B450	09L41-	3
273	63.5	1.8	600	49.1	3.879	63.822	B600	09L41-	3
275	63.1	4.5	1500	52.5	5.740	64.221	B1500	09L41-	3
276	62.8	2.4	820	53.0	3.912	64.468	B820	09L41-	3
285	59.2	0.7	240	35.3	2.893	68.459	B240	09L41-	3
289	60.0	1.7	600	60.0	3.081	67.513	B600	09L41-	3
294	58.9	1.3	450	53.1	3.159	68.788	B450	09L41-	3
302	57.3	2.2	820	56.1	3.691	70.636	B820	09L41-	3
308	56.1	1.6	600	55.6	3.337	72.170	B600	09L41-	3
320	54.0	2.6	1024	54.0	3.706	74.963	B1500	09L41-	3
324	52.1	0.6	240	27.3	2.891	77.741	B240	09L41-	3
326	53.1	1.1	450	46.0	3.156	76.271	B450	09L41-	3
334	51.8	1.5	600	42.3	3.665	78.182	B600	09L41-	3
338	51.3	2.0	820	49.3	3.687	78.973	B820	09L41-	3
350	49.4	1.4	600	49.4	3.005	81.937	B600	09L41-	3
354	48.9	2.2	943	48.9	3.467	82.762	B1500	09L41-	3
383	45.2	1.0	450	43.4	3.022	89.534	B450	09L41-	3
384	45.1	1.3	600	45.1	3.161	89.772	B600	09L41-	3
389	44.5	2.2	1036	44.5	3.458	90.978	B1500	09L41-	3
393	44.1	1.7	820	44.1	3.292	91.939	B820	09L41-	3
398	43.5	3.1	1500	43.5	4.412	93.150	B1500	09L41-	3
424	40.8	0.9	450	35.3	3.020	99.274	B450	09L41-	3
435	39.8	1.1	600	34.3	3.329	101.760	B600	09L41-	3
438	39.6	2.8	1500	39.6	4.405	102.396	B1500	09L41-	3
439	39.4	1.5	820	38.3	3.289	102.790	B820	09L41-	3



Technical data

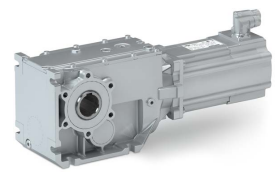
Selection tables
Inverter mains connection 400 V, Self-ventilated

Inverter operation							Geared motor		Number of stages
M_2	n_2	c	$M_{2, \max}$	$n_{2, \text{th}}$	J	i			
Nm	rpm		Nm	rpm	kgcm ²				
476	36.4	0.9	450	36.4	2.960	111.372	B450	09L41-	3
488	35.5	2.8	1500	35.5	3.913	114.166	B1500	09L41-	3
489	35.4	1.5	820	35.4	3.166	114.364	B820	09L41-	3
497	34.9	1.1	600	34.9	3.027	116.175	B600	09L41-	3
528	32.8	0.8	450	29.7	2.959	123.487	B450	09L41-	3
536	32.3	2.5	1500	32.3	3.913	125.498	B1500	09L41-	3
541	32.0	1.0	600	31.1	3.156	126.580	B600	09L41-	3
547	31.7	1.4	820	31.7	3.165	127.861	B820	09L41-	3
603	28.7	0.9	600	28.7	2.968	140.995	B600	09L41-	3
633	27.4	1.2	820	27.4	3.030	148.000	B820	09L41-	3
641	27.0	2.1	1500	27.0	3.503	149.949	B1500	09L41-	3
700	24.7	0.8	600	22.6	3.024	163.810	B600	09L41-	3
705	24.6	1.9	1500	24.6	3.500	164.833	B1500	09L41-	3
707	24.5	1.1	820	24.5	3.029	165.467	B820	09L41-	3
768	22.5	1.0	820	22.5	2.970	179.618	B820	09L41-	3
778	22.3	1.7	1500	22.3	3.321	181.983	B1500	09L41-	3
850	20.4	0.6	600	17.9	2.966	198.805	B600	09L41-	3
855	20.2	1.6	1500	20.2	3.319	200.048	B1500	09L41-	3
858	20.2	0.9	820	20.2	2.969	200.816	B820	09L41-	3
983	17.6	1.4	1500	17.6	3.136	230.035	B1500	09L41-	3
1081	16.0	1.3	1500	16.0	3.135	252.869	B1500	09L41-	3

Technical data

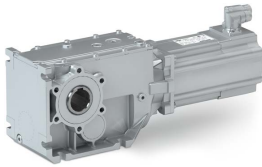
Selection tables

Inverter mains connection 400 V, Self-ventilated



2.5 kW

Inverter operation						i	Geared motor		Number of stages
M ₂	n ₂	c	M _{2, max}	n _{2, th}	J				
Nm	rpm		Nm	rpm	kgcm ²				
75.0	303	4.1	259	303	25.722	4.958	B820	14H15-	3
76.0	300	3.7	261	300	18.560	5.002	B450	14H15-	3
77.0	296	4.9	265	296	20.931	5.067	B600	14H15-	3
103	221	3.8	355	221	20.911	6.800	B820	14H15-	3
104	219	3.0	308	219	16.682	6.860	B450	14H15-	3
106	216	3.8	363	216	18.363	6.949	B600	14H15-	3
116	197	3.7	398	197	23.672	7.618	B820	14H15-	3
116	197	4.0	398	197	19.990	7.617	B600	14H15-	3
129	176	3.6	445	176	23.271	8.517	B820	14H15-	3
142	161	2.6	368	161	17.406	9.315	B450	14H15-	3
145	158	3.4	496	158	17.961	9.520	B820	14H15-	3
145	158	5.7	497	158	27.264	9.516	B1500	14H15-	3
157	145	2.5	384	145	17.260	10.328	B450	14H15-	3
159	144	3.3	528	144	19.820	10.447	B820	14H15-	3
163	140	3.3	541	140	19.318	10.741	B600	14H15-	3
178	128	3.2	569	128	19.607	11.680	B820	14H15-	3
185	124	3.0	544	124	16.720	12.143	B820	14H15-	3
194	117	2.1	404	117	16.068	12.775	B450	14H15-	3
199	114	4.6	685	114	21.861	13.118	B1500	14H15-	3
203	112	2.7	553	112	16.706	13.369	B600	14H15-	3
203	112	3.1	619	112	17.901	13.370	B820	14H15-	3
215	106	2.0	422	106	15.991	14.165	B450	14H15-	3
222	103	2.9	653	103	17.404	14.626	B820	14H15-	3
224	102	2.7	600	102	17.506	14.730	B600	14H15-	3
230	99.3	5.7	789	99.3	25.526	15.111	B1500	14H15-	3
248	91.7	1.8	434	91.7	15.427	16.349	B450	14H15-	3
249	91.7	2.9	708	91.7	17.296	16.352	B820	14H15-	3
252	90.3	5.7	868	90.3	25.275	16.611	B1500	14H15-	3
272	83.9	1.6	446	83.9	15.246	17.885	B450	14H15-	3
283	80.7	4.9	972	80.7	22.397	18.598	B1500	14H15-	3
284	80.4	2.6	747	80.4	16.378	18.655	B820	14H15-	3
286	79.6	2.1	600	79.6	16.488	18.851	B600	14H15-	3
301	75.6	1.5	450	75.6	15.206	19.831	B450	14H15-	3
311	73.4	4.8	1068	73.4	22.231	20.444	B1500	14H15-	3
313	72.7	1.9	600	72.7	16.223	20.622	B600	14H15-	3
317	71.9	2.6	820	71.9	16.311	20.857	B820	14H15-	3
320	71.2	5.6	1101	71.2	44.559	21.065	B4300	14H15-	3
338	67.4	5.6	1163	67.4	30.087	22.269	B2700	14H15-	3
347	65.8	1.3	450	65.8	14.902	22.813	B450	14H15-	3
347	65.6	1.7	600	65.6	15.388	22.852	B600	14H15-	3
347	65.6	2.4	820	65.6	15.797	22.853	B820	14H15-	3
348	65.5	4.3	1196	65.5	20.815	22.898	B1500	14H15-	3
353	64.6	4.9	1212	64.6	36.967	23.206	B4300	14H15-	3
364	62.6	4.1	1252	62.6	24.392	23.973	B1500	14H15-	3
372	61.3	5.6	1278	61.3	29.813	24.456	B2700	14H15-	3
384	59.3	1.2	450	59.3	14.878	25.294	B450	14H15-	3
385	59.2	1.6	600	59.2	16.377	25.347	B600	14H15-	3
385	59.1	4.9	1325	59.1	36.370	25.365	B4300	14H15-	3
388	58.7	2.1	820	58.7	15.753	25.550	B820	14H15-	3
396	57.6	1.5	600	57.6	17.082	26.061	B600	14H15-	3
400	57.0	2.1	820	57.0	17.277	26.324	B820	14H15-	3



Technical data

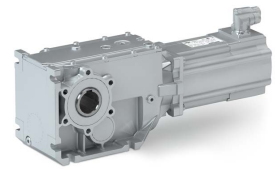
Selection tables
Inverter mains connection 400 V, Self-ventilated

Inverter operation							Geared motor		Number of stages
M_2	n_2	c	$M_{2, \max}$	$n_{2, \text{th}}$	J	i			
Nm	rpm		Nm	rpm	kgcm ²				
401	56.9	3.8	1377	56.9	24.293	26.353	B1500	14H15-	3
408	55.9	4.9	1401	55.9	26.388	26.814	B2700	14H15-	3
444	51.4	3.4	1500	51.4	18.494	29.206	B1500	14H15-	3
448	50.9	4.9	1538	50.9	26.199	29.447	B2700	14H15-	3
452	50.4	1.3	600	50.4	14.920	29.744	B600	14H15-	3
452	50.4	1.8	820	50.4	15.109	29.745	B820	14H15-	3
473	48.2	4.2	1625	48.2	30.089	31.097	B4300	14H15-	3
491	46.5	1.7	820	46.5	16.443	32.291	B820	14H15-	3
493	46.2	1.2	600	46.2	15.799	32.439	B600	14H15-	3
495	46.1	3.0	1500	46.1	17.463	32.547	B1500	14H15-	3
500	45.6	4.2	1717	45.6	23.448	32.873	B2700	14H15-	3
543	42.0	1.1	600	42.0	16.317	35.740	B600	14H15-	3
544	41.9	2.8	1500	41.9	17.410	35.778	B1500	14H15-	3
549	41.5	1.5	820	41.5	16.420	36.102	B820	14H15-	3
549	41.5	4.2	1886	41.5	23.322	36.102	B2700	14H15-	3
555	41.1	2.7	1500	41.1	21.090	36.526	B1500	14H15-	3
586	38.9	3.3	1938	38.9	23.571	38.546	B4300	14H15-	3
622	36.7	2.4	1500	36.7	19.503	40.895	B1500	14H15-	3
628	36.3	1.3	820	36.3	15.839	41.325	B820	14H15-	3
637	35.8	0.9	600	35.8	14.876	41.940	B600	14H15-	3
650	35.1	4.2	2235	35.1	28.339	42.772	B2700	14H15-	3
683	33.4	2.2	1500	33.4	19.469	44.955	B1500	14H15-	3
687	33.2	1.2	820	33.2	15.681	45.207	B820	14H15-	3
695	32.8	0.9	600	32.8	15.762	45.739	B600	14H15-	3
708	32.2	2.1	1500	32.2	16.338	46.568	B1500	14H15-	3
714	31.9	3.8	2454	31.9	28.265	46.973	B2700	14H15-	3
743	30.7	3.3	2460	30.7	19.668	48.912	B2700	14H15-	3
760	30.0	0.8	600	30.0	15.617	50.036	B600	14H15-	3
768	29.7	1.1	820	29.7	15.670	50.543	B820	14H15-	3
789	28.9	1.9	1500	28.9	15.685	51.920	B1500	14H15-	3
809	28.2	5.3	2782	28.2	27.783	53.258	B4300	14H15-	3
822	27.7	2.8	2327	27.7	15.313	54.082	B2700	14H15-	3
843	27.1	0.7	600	27.1	15.078	55.447	B600	14H15-	3
853	26.7	0.5	450	26.7	14.675	56.154	B450	14H15-	3
867	26.3	1.7	1500	26.3	15.664	57.074	B1500	14H15-	3
876	26.0	0.9	820	26.0	15.319	57.662	B820	14H15-	3
888	25.7	1.7	1500	25.7	17.157	58.422	B1500	14H15-	3
892	25.6	4.8	3065	25.6	24.892	58.671	B4300	14H15-	3
903	25.3	2.8	2556	25.3	15.313	59.393	B2700	14H15-	3
970	23.5	0.6	600	23.5	15.279	63.822	B600	14H15-	3
975	23.4	4.4	3350	23.4	24.798	64.127	B4300	14H15-	3
976	23.4	1.5	1500	23.4	17.140	64.221	B1500	14H15-	3
980	23.3	0.8	820	23.3	15.312	64.468	B820	14H15-	3
980	23.3	2.8	2700	23.3	23.370	64.452	B2700	14H15-	3
1074	21.2	0.8	820	21.2	15.091	70.636	B820	14H15-	3
1088	21.0	1.4	1500	21.0	16.518	71.566	B1500	14H15-	3
1093	20.9	3.9	3758	20.9	22.453	71.930	B4300	14H15-	3
1093	20.8	2.5	2700	20.8	21.466	71.951	B2700	14H15-	3
1097	20.8	0.6	600	20.8	14.737	72.170	B600	14H15-	3
1168	19.5	2.3	2650	19.5	16.809	76.862	B2700	14H15-	3
1188	19.2	0.5	600	17.9	15.065	78.182	B600	14H15-	3
1195	19.1	3.6	4107	19.1	22.391	78.619	B4300	14H15-	3

Technical data

Selection tables

Inverter mains connection 400 V, Self-ventilated



Inverter operation							Geared motor		Number of stages
M_2	n_2	c	$M_{2, \max}$	$n_{2, \text{th}}$	J	i			
Nm	rpm		Nm	rpm	kgcm ²				
1200	19.0	0.7	820	19.0	15.087	78.973	B820	14H15-	3
1291	17.7	1.9	2441	17.7	16.123	84.940	B2700	14H15-	3
1397	16.3	0.6	820	16.3	14.692	91.939	B820	14H15-	3
1416	16.1	1.1	1500	16.1	15.812	93.150	B1500	14H15-	3
1418	16.1	1.9	2681	16.1	16.104	93.283	B2700	14H15-	3
1481	15.4	2.9	4300	15.4	19.194	97.453	B4300	14H15-	3
1482	15.4	1.8	2700	15.4	18.657	97.481	B2700	14H15-	3
1556	14.6	1.0	1500	14.6	15.805	102.396	B1500	14H15-	3
1562	14.6	0.5	820	14.6	14.689	102.790	B820	14H15-	3
1619	14.1	2.7	4300	14.1	19.160	106.517	B4300	14H15-	3
1627	14.0	1.7	2700	14.0	18.642	107.056	B2700	14H15-	3
1735	13.1	0.9	1500	13.1	15.313	114.166	B1500	14H15-	3
1798	12.7	2.4	4300	12.7	15.313	118.336	B4300	14H15-	3
1799	12.7	1.5	2700	12.7	15.313	118.370	B2700	14H15-	3
1907	12.0	0.8	1500	12.0	15.313	125.498	B1500	14H15-	3
1966	11.6	2.2	4300	11.6	15.313	129.342	B4300	14H15-	3
1976	11.5	1.4	2700	11.5	15.313	129.996	B2700	14H15-	3
2327	9.8	1.9	4300	9.8	16.617	153.141	B4300	14H15-	3
2328	9.8	1.2	2700	9.8	16.399	153.185	B2700	14H15-	3
2544	9.0	1.7	4300	9.0	16.603	167.383	B4300	14H15-	3
2557	8.9	1.1	2700	8.9	16.393	168.230	B2700	14H15-	3
2825	8.1	1.0	2700	8.1	15.826	185.911	B2700	14H15-	3
2825	8.1	1.5	4300	8.1	15.973	185.857	B4300	14H15-	3
3087	7.4	1.4	4300	7.4	15.964	203.143	B4300	14H15-	3
3103	7.3	0.9	2700	7.3	15.822	204.170	B2700	14H15-	3



Technical data

Selection tables
Inverter mains connection 400 V, Self-ventilated

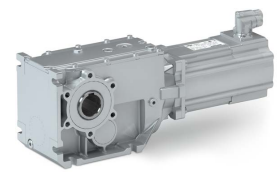
2.8 kW

Inverter operation						i	Geared motor		Number of stages
M ₂	n ₂	c	M _{2, max}	n _{2, th}	J				
Nm	rpm		Nm	rpm	kgcm ²				
25.0	989	4.1	98.0	814	10.272	3.565	B240	12H35-	2
35.0	721	3.2	135	663	9.044	4.889	B240	12H35-	2
35.0	711	5.8	137	530	18.822	4.958	B820	12H35-	3
36.0	720	5.9	138	621	12.460	5.002	B450	14D36-	3
36.0	705	4.7	138	595	11.660	5.002	B450	12H35-	3
36.0	696	5.8	140	519	14.031	5.067	B600	12H35-	3
45.0	563	2.6	156	549	8.451	6.257	B240	12H35-	2
46.0	547	2.8	138	547	13.572	3.565	B240	12L20-	2
48.0	518	4.8	187	432	14.011	6.800	B820	12H35-	3
49.0	525	4.7	189	509	10.582	6.860	B450	14D36-	3
49.0	514	3.9	189	492	9.782	6.860	B450	12H35-	3
49.0	512	2.8	179	389	8.974	6.883	B240	12H35-	2
50.0	507	4.8	191	423	11.463	6.949	B600	12H35-	3
54.0	473	5.8	210	346	17.572	7.618	B820	14D36-	3
54.0	463	5.8	210	345	13.090	7.617	B600	12H35-	3
54.0	463	5.8	210	345	16.772	7.618	B820	12H35-	3
56.0	451	2.5	187	336	8.813	7.817	B240	12H35-	2
61.0	423	5.7	235	307	17.171	8.517	B820	14D36-	3
61.0	414	5.7	235	308	16.371	8.517	B820	12H35-	3
63.0	399	2.2	147	399	12.344	4.889	B240	12L20-	2
64.0	393	3.9	264	393	22.122	4.958	B820	12L20-	3
64.0	390	3.2	221	390	14.960	5.002	B450	12L20-	3
65.0	385	3.9	270	385	17.331	5.067	B600	12L20-	3
66.0	387	4.1	257	312	11.306	9.315	B450	14D36-	3
66.0	378	4.2	257	313	10.506	9.315	B450	12H35-	3
67.0	373	2.1	191	317	8.354	9.440	B240	12H35-	2
68.0	378	5.5	262	377	11.861	9.520	B820	14D36-	3
68.0	370	3.9	262	354	11.061	9.520	B820	12H35-	3
74.0	349	3.9	285	278	11.160	10.328	B450	14D36-	3
74.0	345	5.3	288	287	13.720	10.447	B820	14D36-	3
74.0	341	3.9	285	279	10.360	10.328	B450	12H35-	3
74.0	337	4.8	288	281	12.920	10.447	B820	12H35-	3
76.0	329	2.0	204	275	8.268	10.720	B240	12H35-	2
77.0	335	5.3	296	241	13.218	10.741	B600	14D36-	3
77.0	328	5.3	296	241	12.418	10.741	B600	12H35-	3
80.0	312	1.8	156	312	11.751	6.257	B240	12L20-	2
83.0	308	5.1	322	255	13.507	11.680	B820	14D36-	3
83.0	302	4.8	322	252	12.707	11.680	B820	12H35-	3
86.0	292	1.8	208	258	8.029	12.081	B240	12H35-	2
87.0	297	4.7	334	296	10.620	12.143	B820	14D36-	3
87.0	290	3.3	334	290	9.820	12.143	B820	12H35-	3
87.0	287	3.3	310	287	17.311	6.800	B820	12L20-	3
88.0	284	2.6	253	284	13.082	6.860	B450	12L20-	3
88.0	283	1.9	179	283	12.274	6.883	B240	12L20-	2
89.0	281	3.3	317	281	14.763	6.949	B600	12L20-	3
91.0	282	3.3	352	256	9.968	12.775	B450	14D36-	3
91.0	276	3.3	352	256	9.168	12.775	B450	12H35-	3
93.0	269	4.8	361	223	14.961	13.118	B1500	12H35-	3
95.0	269	4.3	368	249	10.606	13.369	B600	14D36-	3
95.0	269	4.9	368	255	11.801	13.370	B820	14D36-	3
95.0	264	4.1	368	246	9.806	13.369	B600	12H35-	3

Technical data

Selection tables

Inverter mains connection 400 V, Self-ventilated



Inverter operation							Geared motor		Number of stages
M_2	n_2	c	$M_{2, max}$	$n_{2, th}$	J	i			
Nm	rpm		Nm	rpm	kgcm ²				
95.0	264	4.1	368	246	11.001	13.370	B820	12H35-	3
98.0	257	1.7	217	218	7.977	13.719	B240	12H35-	2
98.0	256	3.9	405	256	16.390	7.617	B600	12L20-	3
98.0	256	3.9	405	256	20.072	7.618	B820	12L20-	3
100	250	1.7	187	250	12.113	7.817	B240	12L20-	2
101	254	3.1	390	228	9.891	14.165	B450	14D36-	3
101	249	3.2	390	229	9.091	14.165	B450	12H35-	3
104	246	4.7	403	239	11.304	14.626	B820	14D36-	3
104	241	3.9	403	230	10.504	14.626	B820	12H35-	3
105	244	4.3	406	195	11.406	14.730	B600	14D36-	3
105	239	4.3	406	195	10.606	14.730	B600	12H35-	3
107	235	1.6	223	202	7.886	15.008	B240	12H35-	2
109	229	3.9	453	229	19.671	8.517	B820	12L20-	3
116	220	2.8	434	212	9.327	16.349	B450	14D36-	3
116	220	4.5	450	212	11.196	16.352	B820	14D36-	3
116	216	2.8	434	213	8.527	16.349	B450	12H35-	3
116	216	3.9	450	206	10.396	16.352	B820	12H35-	3
119	209	2.8	368	209	13.806	9.315	B450	12L20-	3
120	209	1.5	240	208	7.747	16.857	B240	12H35-	2
121	207	1.5	191	207	11.654	9.440	B240	12L20-	2
122	205	2.6	349	205	14.361	9.520	B820	12L20-	3
127	201	2.6	446	199	9.146	17.885	B450	14D36-	3
127	197	2.6	446	197	8.346	17.885	B450	12H35-	3
132	190	5.1	512	153	15.497	18.598	B1500	12H35-	3
132	189	2.7	384	189	13.660	10.328	B450	12L20-	3
133	193	4.2	514	193	10.278	18.655	B820	14D36-	3
133	189	3.3	514	189	9.478	18.655	B820	12H35-	3
134	191	3.3	519	168	10.388	18.851	B600	14D36-	3
134	187	3.4	519	168	9.588	18.851	B600	12H35-	3
134	187	3.3	476	187	16.220	10.447	B820	12L20-	3
136	184	1.3	240	173	7.720	19.143	B240	12H35-	2
137	182	1.4	204	182	11.568	10.720	B240	12L20-	2
138	182	3.6	541	182	15.718	10.741	B600	12L20-	3
141	182	2.4	450	177	9.106	19.831	B450	14D36-	3
141	178	2.4	450	177	8.306	19.831	B450	12H35-	3
146	172	5.1	563	139	15.331	20.444	B1500	12H35-	3
147	175	3.1	568	156	10.123	20.622	B600	14D36-	3
147	171	3.1	568	156	9.323	20.622	B600	12H35-	3
147	171	1.2	240	171	7.640	20.650	B240	12H35-	2
149	173	4.1	575	172	10.211	20.857	B820	14D36-	3
149	169	3.3	575	169	9.411	20.857	B820	12H35-	3
150	167	3.3	532	167	16.007	11.680	B820	12L20-	3
155	161	1.2	208	161	11.329	12.081	B240	12L20-	2
156	161	2.2	374	161	13.120	12.143	B820	12L20-	3
163	158	2.1	450	157	8.802	22.813	B450	14D36-	3
163	158	2.8	600	157	9.288	22.852	B600	14D36-	3
163	158	3.8	630	157	9.697	22.853	B820	14D36-	3
163	155	2.1	450	155	8.002	22.813	B450	12H35-	3
163	154	2.8	600	154	8.488	22.852	B600	12H35-	3
163	154	2.8	605	154	8.897	22.853	B820	12H35-	3
163	154	4.8	631	128	13.915	22.898	B1500	12H35-	3
164	153	2.3	404	153	12.468	12.775	B450	12L20-	3



Technical data

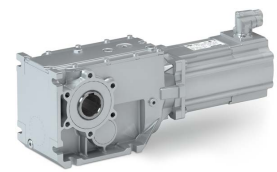
Selection tables
Inverter mains connection 400 V, Self-ventilated

Inverter operation						Geared motor			Number of stages
M_2	n_2	c	$M_{2, \max}$	$n_{2, \text{th}}$	J	i			
Nm	rpm		Nm	rpm	kgcm ²				
165	152	5.1	639	123	30.067	23.206	B4300	12H35-	3
167	150	1.1	240	148	7.622	23.450	B240	12H35-	2
168	149	3.2	594	149	18.261	13.118	B1500	12L20-	3
171	146	2.7	512	146	13.106	13.369	B600	12L20-	3
171	146	2.7	512	146	14.301	13.370	B820	12L20-	3
176	142	1.1	217	142	11.277	13.719	B240	12L20-	2
180	142	1.9	450	142	8.778	25.294	B450	14D36-	3
180	139	1.9	450	139	7.978	25.294	B450	12H35-	3
181	142	2.5	600	101	10.277	25.347	B600	14D36-	3
181	139	2.5	600	101	9.477	25.347	B600	12H35-	3
181	139	5.1	699	112	29.470	25.365	B4300	12H35-	3
182	141	3.4	704	141	9.653	25.550	B820	14D36-	3
182	138	2.8	676	138	8.853	25.550	B820	12H35-	3
182	138	2.1	422	138	12.391	14.165	B450	12L20-	3
186	138	2.4	600	83.8	10.982	26.061	B600	14D36-	3
186	135	2.4	600	83.9	10.182	26.061	B600	12H35-	3
188	137	3.3	725	88.8	11.177	26.324	B820	14D36-	3
188	137	6.0	726	86.2	18.193	26.353	B1500	14D36-	3
188	134	3.3	725	89.0	10.377	26.324	B820	12H35-	3
188	133	2.6	535	133	13.804	14.626	B820	12L20-	3
189	132	2.9	600	132	13.906	14.730	B600	12L20-	3
191	132	5.1	739	106	19.488	26.814	B2700	12H35-	3
192	130	1.1	223	130	11.186	15.008	B240	12L20-	2
199	126	1.7	450	126	7.810	27.945	B450	12H35-	3
208	123	5.4	805	120	12.394	29.206	B1500	14D36-	3
208	121	4.0	805	113	11.594	29.206	B1500	12H35-	3
210	120	5.1	811	96.8	19.299	29.447	B2700	12H35-	3
210	119	1.9	434	119	11.827	16.349	B450	12L20-	3
210	119	2.6	599	119	13.696	16.352	B820	12L20-	3
212	121	2.1	600	121	8.820	29.744	B600	14D36-	3
212	121	2.9	819	121	9.009	29.745	B820	14D36-	3
212	119	2.1	600	119	8.020	29.744	B600	12H35-	3
212	119	2.2	630	119	8.209	29.745	B820	12H35-	3
216	116	1.0	240	116	11.047	16.857	B240	12L20-	2
221	114	1.5	450	114	7.794	30.985	B450	12H35-	3
229	109	1.8	446	109	11.646	17.885	B450	12L20-	3
230	112	2.7	820	80.6	10.343	32.291	B820	14D36-	3
230	109	2.7	820	80.7	9.543	32.291	B820	12H35-	3
231	111	1.9	600	86.5	9.699	32.439	B600	14D36-	3
231	109	2.0	600	86.8	8.899	32.439	B600	12H35-	3
232	111	4.8	897	110	11.363	32.547	B1500	14D36-	3
232	108	3.5	897	108	10.563	32.547	B1500	12H35-	3
238	105	3.4	890	105	18.797	18.598	B1500	12L20-	3
239	105	2.2	575	105	12.778	18.655	B820	12L20-	3
242	103	2.3	600	103	12.888	18.851	B600	12L20-	3
246	102	0.9	240	102	11.020	19.143	B240	12L20-	2
254	98.3	1.6	450	98.3	11.606	19.831	B450	12L20-	3
255	101	1.8	600	63.7	10.217	35.740	B600	14D36-	3
255	101	4.4	986	100	11.310	35.778	B1500	14D36-	3
255	98.6	1.8	600	64.0	9.417	35.740	B600	12H35-	3
255	98.5	3.5	986	97.8	10.510	35.778	B1500	12H35-	3
257	99.7	2.4	820	70.3	10.320	36.102	B820	14D36-	3

Technical data

Selection tables

Inverter mains connection 400 V, Self-ventilated



Inverter operation							Geared motor		Number of stages
M_2	n_2	c	$M_{2, max}$	$n_{2, th}$	J	i			
Nm	rpm		Nm	rpm	kgcm ²				
257	97.6	2.4	820	70.4	9.520	36.102	B820	12H35-	3
260	98.6	4.3	1006	66.8	14.990	36.526	B1500	14D36-	3
262	95.4	3.4	978	95.4	18.631	20.444	B1500	12L20-	3
264	95.3	1.7	600	95.3	7.780	36.999	B600	12H35-	3
264	95.3	1.9	654	95.3	7.936	37.000	B820	12H35-	3
264	94.6	2.1	600	94.6	12.623	20.622	B600	12L20-	3
265	94.4	0.8	240	94.4	10.940	20.650	B240	12L20-	2
267	93.5	2.2	643	93.5	12.711	20.857	B820	12L20-	3
275	93.4	5.3	1062	93.1	17.471	38.546	B4300	14D36-	3
275	91.4	3.4	1062	90.0	16.671	38.546	B4300	12H35-	3
291	88.0	4.4	1126	67.7	13.403	40.895	B1500	14D36-	3
291	86.2	4.4	1126	67.8	12.603	40.895	B1500	12H35-	3
293	85.5	1.4	450	85.5	11.302	22.813	B450	12L20-	3
293	85.3	1.9	600	85.3	11.788	22.852	B600	12L20-	3
293	85.3	1.9	605	85.3	12.197	22.853	B820	12L20-	3
294	87.1	2.4	820	71.3	9.739	41.325	B820	14D36-	3
294	85.3	2.4	820	71.4	8.939	41.325	B820	12H35-	3
294	85.2	3.2	1036	85.2	17.215	22.898	B1500	12L20-	3
298	84.0	3.4	1111	84.0	33.367	23.206	B4300	12L20-	3
299	85.8	1.7	600	85.6	8.776	41.940	B600	14D36-	3
299	84.0	1.7	600	84.0	7.976	41.940	B600	12H35-	3
301	83.2	0.7	240	83.2	10.922	23.450	B240	12L20-	2
320	80.1	4.0	1238	60.4	13.369	44.955	B1500	14D36-	3
320	78.4	4.0	1238	60.5	12.569	44.955	B1500	12H35-	3
322	79.6	2.2	820	66.3	9.581	45.207	B820	14D36-	3
322	78.0	2.2	820	66.4	8.781	45.207	B820	12H35-	3
324	77.1	1.3	450	77.1	11.278	25.294	B450	12L20-	3
325	76.9	1.7	600	76.9	12.777	25.347	B600	12L20-	3
325	76.9	3.4	1215	76.9	32.770	25.365	B4300	12L20-	3
326	78.7	1.6	600	54.0	9.662	45.739	B600	14D36-	3
326	77.1	1.6	600	54.2	8.862	45.739	B600	12H35-	3
328	76.3	1.9	676	76.3	12.153	25.550	B820	12L20-	3
332	77.3	3.8	1283	77.1	10.238	46.568	B1500	14D36-	3
332	75.7	3.2	1223	75.7	9.438	46.568	B1500	12H35-	3
334	74.8	1.7	600	71.9	13.482	26.061	B600	12L20-	3
338	74.1	2.2	820	74.1	13.677	26.324	B820	12L20-	3
344	72.7	3.4	1284	72.7	22.788	26.814	B2700	12L20-	3
348	73.6	6.0	1347	73.4	13.568	48.912	B2700	14D36-	3
348	72.1	3.9	1347	72.1	12.768	48.912	B2700	12H35-	3
356	71.9	1.4	600	49.2	9.517	50.036	B600	14D36-	3
356	70.4	1.4	600	49.4	8.717	50.036	B600	12H35-	3
358	69.8	1.2	450	69.8	11.110	27.945	B450	12L20-	3
360	71.2	1.9	820	57.5	9.570	50.543	B820	14D36-	3
360	69.7	2.0	820	57.8	8.770	50.543	B820	12H35-	3
370	69.3	3.4	1430	69.2	9.585	51.920	B1500	14D36-	3
370	67.9	2.7	1166	67.9	8.785	51.920	B1500	12H35-	3
375	66.8	2.7	1113	66.8	14.894	29.206	B1500	12L20-	3
378	66.2	3.4	1410	66.2	22.599	29.447	B2700	12L20-	3
381	65.6	1.4	600	65.6	11.320	29.744	B600	12L20-	3
381	65.6	1.5	630	65.6	11.509	29.745	B820	12L20-	3
385	66.6	5.1	1490	66.4	9.213	54.082	B2700	14D36-	3
385	65.2	3.3	1490	65.2	8.413	54.082	B2700	12H35-	3



Technical data

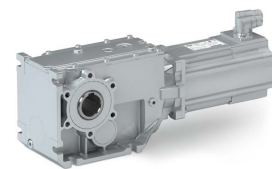
Selection tables
Inverter mains connection 400 V, Self-ventilated

Inverter operation							Geared motor		Number of stages
M_2	n_2	c	$M_{2, max}$	$n_{2, th}$	J	i			
Nm	rpm		Nm	rpm	kgcm ²				
395	64.9	1.3	600	56.0	8.978	55.447	B600	14D36-	3
395	63.6	1.3	600	56.2	8.178	55.447	B600	12H35-	3
397	62.9	1.0	450	62.9	11.094	30.985	B450	12L20-	3
400	64.1	1.0	450	50.0	8.575	56.154	B450	14D36-	3
400	62.8	1.0	450	50.3	7.775	56.154	B450	12H35-	3
407	63.1	3.1	1500	62.9	9.564	57.074	B1500	14D36-	3
407	61.8	2.7	1282	61.8	8.764	57.074	B1500	12H35-	3
411	62.4	1.7	820	52.7	9.219	57.662	B820	14D36-	3
411	61.1	1.7	820	52.9	8.419	57.662	B820	12H35-	3
414	60.4	1.8	820	60.4	12.843	32.291	B820	12L20-	3
416	61.6	3.1	1500	53.6	11.057	58.422	B1500	14D36-	3
416	60.3	3.1	1500	53.7	10.257	58.422	B1500	12H35-	3
416	60.1	1.3	600	60.1	12.199	32.439	B600	12L20-	3
417	59.9	2.3	1065	59.9	13.863	32.547	B1500	12L20-	3
418	60.1	5.8	1616	49.8	17.992	58.671	B4300	12H35-	3
423	60.6	5.1	1636	60.5	9.213	59.393	B2700	14D36-	3
423	59.3	3.3	1636	59.3	8.413	59.393	B2700	12H35-	3
444	57.8	0.9	450	40.6	8.571	62.262	B450	14D36-	3
444	56.6	0.9	450	40.9	7.771	62.262	B450	12H35-	3
455	56.4	1.1	600	39.7	9.179	63.822	B600	14D36-	3
455	55.2	1.1	600	39.8	8.379	63.822	B600	12H35-	3
457	55.0	5.8	1766	45.6	17.898	64.127	B4300	12H35-	3
458	56.1	2.8	1500	47.8	11.040	64.221	B1500	14D36-	3
458	54.9	2.8	1500	47.9	10.240	64.221	B1500	12H35-	3
458	54.6	1.2	600	52.1	12.717	35.740	B600	12L20-	3
459	55.9	5.0	1775	44.1	17.270	64.452	B2700	14D36-	3
459	55.8	1.5	820	44.7	9.212	64.468	B820	14D36-	3
459	54.7	1.5	820	44.9	8.412	64.468	B820	12H35-	3
459	54.7	5.0	1775	44.2	16.470	64.452	B2700	12H35-	3
459	54.5	2.3	1171	54.5	13.810	35.778	B1500	12L20-	3
463	54.0	1.6	820	54.0	12.820	36.102	B820	12L20-	3
474	52.7	1.2	600	52.7	11.080	36.999	B600	12L20-	3
474	52.7	1.3	654	52.7	11.236	37.000	B820	12L20-	3
490	51.2	0.8	450	38.4	7.659	68.788	B450	12H35-	3
494	50.6	2.3	1241	50.6	19.971	38.546	B4300	12L20-	3
503	51.0	1.4	820	45.5	8.991	70.636	B820	14D36-	3
503	49.9	1.4	820	45.6	8.191	70.636	B820	12H35-	3
510	50.3	2.5	1500	46.0	10.418	71.566	B1500	14D36-	3
510	49.3	2.5	1500	46.1	9.618	71.566	B1500	12H35-	3
513	50.0	4.5	1982	41.8	15.366	71.951	B2700	14D36-	3
514	49.9	1.0	600	45.9	8.637	72.170	B600	14D36-	3
514	48.8	1.0	600	46.2	7.837	72.170	B600	12H35-	3
524	47.7	2.9	1500	47.7	15.903	40.895	B1500	12L20-	3
530	47.2	1.6	820	47.2	12.239	41.325	B820	12L20-	3
534	47.0	2.1	1318	47.0	8.206	74.963	B1500	12H35-	3
538	46.5	1.1	600	46.5	11.276	41.940	B600	12L20-	3
543	46.2	0.7	450	31.2	7.656	76.271	B450	12H35-	3
548	46.8	4.1	2117	46.7	10.709	76.862	B2700	14D36-	3
548	45.9	2.7	1700	45.9	9.909	76.862	B2700	12H35-	3
557	46.0	0.9	600	32.5	8.965	78.182	B600	14D36-	3
557	45.1	0.9	600	32.7	8.165	78.182	B600	12H35-	3
563	45.6	1.2	820	38.6	8.987	78.973	B820	14D36-	3

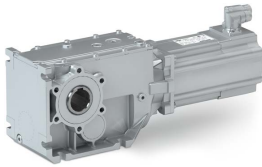
Technical data

Selection tables

Inverter mains connection 400 V, Self-ventilated



Inverter operation							Geared motor		Number of stages
M_2	n_2	c	$M_{2, \max}$	$n_{2, \text{th}}$	J	i			
Nm	rpm		Nm	rpm	kgcm ²				
563	44.6	1.3	820	38.7	8.187	78.973	B820	12H35-	3
576	43.4	2.6	1500	43.4	15.869	44.955	B1500	12L20-	3
580	43.1	1.4	820	43.1	12.081	45.207	B820	12L20-	3
587	42.6	1.0	600	42.6	12.162	45.739	B600	12L20-	3
590	42.6	1.8	1213	42.6	7.967	82.762	B1500	12H35-	3
597	41.9	2.1	1223	41.9	12.738	46.568	B1500	12L20-	3
605	42.4	3.4	2340	42.3	10.023	84.940	B2700	14D36-	3
605	41.5	2.2	1568	41.5	9.223	84.940	B2700	12H35-	3
627	39.9	2.5	1575	39.9	16.068	48.912	B2700	12L20-	3
640	39.3	0.8	600	35.1	7.661	89.772	B600	12H35-	3
642	39.0	0.9	600	38.9	12.017	50.036	B600	12L20-	3
648	38.7	1.8	1333	38.7	7.958	90.978	B1500	12H35-	3
648	38.6	1.3	820	38.6	12.070	50.543	B820	12L20-	3
655	39.2	1.1	820	37.1	8.592	91.939	B820	14D36-	3
655	38.3	1.1	820	37.2	7.792	91.939	B820	12H35-	3
664	38.6	1.9	1500	38.5	9.712	93.150	B1500	14D36-	3
664	37.8	1.9	1500	37.8	8.912	93.150	B1500	12H35-	3
665	38.6	3.4	2570	38.5	10.004	93.283	B2700	14D36-	3
665	37.8	2.2	1722	37.8	9.204	93.283	B2700	12H35-	3
666	37.6	1.8	1166	37.6	12.085	51.920	B1500	12L20-	3
693	36.1	2.2	1492	36.1	11.713	54.082	B2700	12L20-	3
694	36.9	3.3	2685	35.4	12.557	97.481	B2700	14D36-	3
694	36.9	5.3	2684	36.8	13.094	97.453	B4300	14D36-	3
694	36.2	3.3	2685	35.5	11.757	97.481	B2700	12H35-	3
694	36.2	3.9	2684	36.2	12.294	97.453	B4300	12H35-	3
711	35.2	0.8	600	35.2	11.478	55.447	B600	12L20-	3
720	34.7	0.6	450	32.7	11.075	56.154	B450	12L20-	3
725	35.4	0.7	600	23.1	8.629	101.760	B600	14D36-	3
725	34.6	0.7	600	23.2	7.829	101.760	B600	12H35-	3
729	35.2	1.7	1500	35.1	9.705	102.396	B1500	14D36-	3
729	34.4	1.8	1500	34.4	8.905	102.396	B1500	12H35-	3
732	35.0	1.0	820	30.9	8.589	102.790	B820	14D36-	3
732	34.3	1.0	820	31.1	7.789	102.790	B820	12H35-	3
732	34.2	1.8	1282	34.2	12.064	57.074	B1500	12L20-	3
739	33.8	1.1	820	33.8	11.719	57.662	B820	12L20-	3
749	33.4	2.0	1500	33.4	13.557	58.422	B1500	12L20-	3
752	33.2	3.7	2810	33.2	21.292	58.671	B4300	12L20-	3
759	33.8	4.8	2934	33.7	13.060	106.517	B4300	14D36-	3
759	33.1	3.9	2934	33.1	12.260	106.517	B4300	12H35-	3
762	32.8	2.2	1639	32.8	11.713	59.393	B2700	12L20-	3
763	33.6	3.0	2700	31.7	12.542	107.056	B2700	14D36-	3
763	32.9	3.0	2700	31.7	11.742	107.056	B2700	12H35-	3
798	31.3	0.6	450	26.6	11.071	62.262	B450	12L20-	3
813	31.5	1.7	1500	31.4	9.213	114.166	B1500	14D36-	3
813	30.9	1.8	1500	30.9	8.413	114.166	B1500	12H35-	3
815	30.8	1.0	820	30.8	7.666	114.364	B820	12H35-	3
818	30.6	0.7	600	27.9	11.679	63.822	B600	12L20-	3
822	30.4	3.7	3071	30.4	21.198	64.127	B4300	12L20-	3
824	30.4	1.8	1500	30.4	13.540	64.221	B1500	12L20-	3
826	30.3	3.3	2700	30.3	19.770	64.452	B2700	12L20-	3
827	30.2	1.0	820	30.2	11.712	64.468	B820	12L20-	3
843	30.4	3.0	2700	30.3	9.213	118.370	B2700	14D36-	3



Technical data

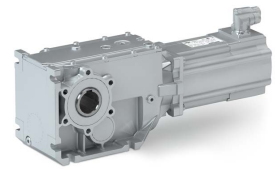
Selection tables
Inverter mains connection 400 V, Self-ventilated

Inverter operation						Geared motor			Number of stages
M_2	n_2	c	$M_{2, max}$	$n_{2, th}$	J	i			
Nm	rpm		Nm	rpm	kgcm ²				
843	30.4	4.8	3260	30.3	9.213	118.336	B4300	14D36-	3
843	29.8	3.0	2700	29.8	8.413	118.370	B2700	12H35-	3
843	29.8	3.7	3260	29.8	8.413	118.336	B4300	12H35-	3
882	28.3	0.5	450	25.0	10.959	68.788	B450	12L20-	3
894	28.7	1.6	1500	28.6	9.213	125.498	B1500	14D36-	3
894	28.1	1.6	1500	28.1	8.413	125.498	B1500	12H35-	3
902	27.8	0.6	600	19.6	7.656	126.580	B600	12H35-	3
906	27.6	0.9	820	27.6	11.491	70.636	B820	12L20-	3
911	27.6	0.9	820	26.2	7.665	127.861	B820	12H35-	3
918	27.2	1.6	1500	27.2	12.918	71.566	B1500	12L20-	3
921	27.8	4.4	3563	27.8	9.213	129.342	B4300	14D36-	3
921	27.3	3.7	3563	27.3	8.413	129.342	B4300	12H35-	3
925	27.0	0.7	600	27.0	11.137	72.170	B600	12L20-	3
926	27.7	2.7	2700	27.6	9.213	129.996	B2700	14D36-	3
926	27.1	2.8	2700	27.1	8.413	129.996	B2700	12H35-	3
961	26.0	1.4	1318	26.0	11.506	74.963	B1500	12L20-	3
986	25.4	1.7	1700	25.4	13.209	76.862	B2700	12L20-	3
1003	24.9	0.6	600	21.3	11.465	78.182	B600	12L20-	3
1013	24.7	0.8	820	24.7	11.487	78.973	B820	12L20-	3
1061	23.6	1.1	1213	23.6	11.267	82.762	B1500	12L20-	3
1068	23.5	1.3	1500	23.5	8.003	149.949	B1500	12H35-	3
1089	23.0	1.4	1568	23.0	12.523	84.940	B2700	12L20-	3
1091	23.5	2.3	2700	23.4	10.299	153.185	B2700	14D36-	3
1091	23.5	3.7	4218	23.4	10.517	153.141	B4300	14D36-	3
1091	23.0	2.3	2700	23.0	9.499	153.185	B2700	12H35-	3
1091	23.0	2.9	3388	23.0	9.717	153.141	B4300	12H35-	3
1151	21.7	0.5	600	21.7	10.961	89.772	B600	12L20-	3
1167	21.4	1.1	1333	21.4	11.258	90.978	B1500	12L20-	3
1174	21.4	1.2	1500	21.4	8.000	164.833	B1500	12H35-	3
1179	21.2	0.7	820	21.2	11.092	91.939	B820	12L20-	3
1192	21.5	3.4	4300	21.4	10.503	167.383	B4300	14D36-	3
1192	21.1	2.9	3703	21.1	9.703	167.383	B4300	12H35-	3
1194	20.9	1.3	1500	20.9	12.212	93.150	B1500	12L20-	3
1196	20.9	1.4	1722	20.9	12.504	93.283	B2700	12L20-	3
1198	21.4	2.1	2700	21.3	10.293	168.230	B2700	14D36-	3
1198	21.0	2.1	2700	21.0	9.493	168.230	B2700	12H35-	3
1250	20.0	2.2	2700	20.0	15.057	97.481	B2700	12L20-	3
1250	20.0	2.5	3138	20.0	15.594	97.453	B4300	12L20-	3
1296	19.4	1.1	1500	19.4	7.821	181.983	B1500	12H35-	3
1313	19.0	1.1	1500	19.0	12.205	102.396	B1500	12L20-	3
1318	19.0	0.6	820	19.0	11.089	102.790	B820	12L20-	3
1324	19.4	1.9	2700	19.3	9.726	185.911	B2700	14D36-	3
1324	19.4	3.1	4300	19.3	9.873	185.857	B4300	14D36-	3
1324	19.0	1.9	2700	19.0	8.926	185.911	B2700	12H35-	3
1324	19.0	2.5	3430	19.0	9.073	185.857	B4300	12H35-	3
1366	18.3	2.5	3430	18.3	15.560	106.517	B4300	12L20-	3
1373	18.2	2.0	2700	18.2	15.042	107.056	B2700	12L20-	3
1425	17.6	1.0	1500	17.6	7.819	200.048	B1500	12H35-	3
1447	17.7	2.8	4300	17.7	9.864	203.143	B4300	14D36-	3
1447	17.4	2.5	3749	17.4	9.064	203.143	B4300	12H35-	3
1455	17.6	1.8	2700	17.6	9.722	204.170	B2700	14D36-	3
1455	17.3	1.8	2700	17.3	8.922	204.170	B2700	12H35-	3

Technical data

Selection tables

Inverter mains connection 400 V, Self-ventilated



Inverter operation							Geared motor		Number of stages
M_2	n_2	c	$M_{2, \max}$	$n_{2, \text{th}}$	J	i			
Nm	rpm		Nm	rpm	kgcm ²				
1464	17.1	1.0	1500	17.1	11.713	114.166	B1500	12L20-	3
1467	17.1	0.6	820	17.1	10.966	114.364	B820	12L20-	3
1517	16.5	2.2	3265	16.5	11.713	118.336	B4300	12L20-	3
1518	16.5	1.8	2700	16.5	11.713	118.370	B2700	12L20-	3
1609	15.5	0.9	1500	15.5	11.713	125.498	B1500	12L20-	3
1640	15.3	0.5	820	15.3	10.965	127.861	B820	12L20-	3
1659	15.1	2.2	3569	15.1	11.713	129.342	B4300	12L20-	3
1667	15.0	1.6	2700	15.0	11.713	129.996	B2700	12L20-	3
1674	15.0	1.5	2700	15.0	8.380	235.000	B2700	12H35-	3
1674	15.0	2.0	3474	15.0	8.473	234.932	B4300	12H35-	3
1829	13.7	2.0	3798	13.7	8.467	256.781	B4300	12H35-	3
1839	13.7	1.4	2700	13.7	8.378	258.080	B2700	12H35-	3
1923	13.0	0.8	1500	13.0	11.303	149.949	B1500	12L20-	3
1964	12.7	1.4	2700	12.7	12.799	153.185	B2700	12L20-	3
1964	12.7	1.7	3388	12.7	13.017	153.141	B4300	12L20-	3
2114	11.8	0.7	1500	11.8	11.300	164.833	B1500	12L20-	3
2146	11.6	1.7	3703	11.6	13.003	167.383	B4300	12L20-	3
2157	11.6	1.3	2700	11.6	12.793	168.230	B2700	12L20-	3
2334	10.7	0.6	1500	10.7	11.121	181.983	B1500	12L20-	3
2383	10.5	1.4	3430	10.5	12.373	185.857	B4300	12L20-	3
2384	10.5	1.1	2700	10.5	12.226	185.911	B2700	12L20-	3
2565	9.7	0.6	1500	9.7	11.119	200.048	B1500	12L20-	3
2605	9.6	1.4	3749	9.6	12.364	203.143	B4300	12L20-	3
2618	9.6	1.0	2700	9.6	12.222	204.170	B2700	12L20-	3
3013	8.3	0.9	2700	8.3	11.680	235.000	B2700	12L20-	3
3013	8.3	1.2	3474	8.3	11.773	234.932	B4300	12L20-	3
3293	7.6	1.2	3798	7.6	11.767	256.781	B4300	12L20-	3
3309	7.6	0.8	2700	7.6	11.678	258.080	B2700	12L20-	3



3.6 kW

Inverter operation							Geared motor		Number of stages
M_2	n_2	c	$M_{2, max}$	$n_{2, th}$	J	i			
Nm	rpm		Nm	rpm	kgcm ²				
108	303	2.9	312	303	34.922	4.958	B820	14L15-	3
109	300	2.6	280	300	27.760	5.002	B450	14L15-	3
111	296	3.4	371	296	30.131	5.067	B600	14L15-	3
149	221	2.6	391	221	30.111	6.800	B820	14L15-	3
150	219	2.1	308	219	25.882	6.860	B450	14L15-	3
150	219	4.5	502	219	45.352	6.866	B1500	14L15-	3
152	216	2.6	398	216	27.563	6.949	B600	14L15-	3
166	197	2.6	424	197	32.872	7.618	B820	14L15-	3
166	197	2.8	462	197	29.190	7.617	B600	14L15-	3
186	176	2.5	459	176	32.471	8.517	B820	14L15-	3
200	164	4.3	670	164	73.053	9.156	B4300	14L15-	3
204	161	1.8	368	161	26.606	9.315	B450	14L15-	3
208	158	2.4	496	158	27.161	9.520	B820	14L15-	3
208	158	4.0	696	158	36.464	9.516	B1500	14L15-	3
226	145	1.7	384	145	26.460	10.328	B450	14L15-	3
228	144	2.3	528	144	29.020	10.447	B820	14L15-	3
235	140	2.3	541	140	28.518	10.741	B600	14L15-	3
238	138	4.5	797	138	42.014	10.902	B1500	14L15-	3
255	128	2.2	569	128	28.807	11.680	B820	14L15-	3
262	125	4.5	877	125	41.532	11.985	B1500	14L15-	3
265	124	2.1	544	124	25.920	12.143	B820	14L15-	3
279	117	1.5	404	117	25.268	12.775	B450	14L15-	3
287	114	3.2	923	114	31.061	13.118	B1500	14L15-	3
292	112	1.9	553	112	25.906	13.369	B600	14L15-	3
292	112	2.1	619	112	27.101	13.370	B820	14L15-	3
309	106	1.4	422	106	25.191	14.165	B450	14L15-	3
320	103	2.0	653	103	26.604	14.626	B820	14L15-	3
322	102	1.9	600	102	26.706	14.730	B600	14L15-	3
330	99.3	4.0	1105	99.3	34.726	15.111	B1500	14L15-	3
357	91.7	1.2	434	91.7	24.627	16.349	B450	14L15-	3
357	91.7	2.0	708	91.7	26.496	16.352	B820	14L15-	3
363	90.3	4.0	1215	90.3	34.475	16.611	B1500	14L15-	3
369	88.7	4.3	1237	88.7	63.064	16.913	B4300	14L15-	3
391	83.9	1.1	446	83.9	24.446	17.885	B450	14L15-	3
404	81.1	4.3	1352	81.1	61.939	18.486	B4300	14L15-	3
406	80.7	3.4	1360	80.7	31.597	18.598	B1500	14L15-	3
408	80.4	1.8	747	80.4	25.578	18.655	B820	14L15-	3
412	79.6	1.5	600	79.6	25.688	18.851	B600	14L15-	3
427	76.8	4.3	1429	76.8	43.148	19.542	B2700	14L15-	3
433	75.6	1.0	450	75.6	24.406	19.831	B450	14L15-	3
447	73.4	3.4	1495	73.4	31.431	20.444	B1500	14L15-	3
451	72.7	1.3	600	72.7	25.423	20.622	B600	14L15-	3
456	71.9	1.8	820	71.9	25.511	20.857	B820	14L15-	3
460	71.2	3.9	1541	71.2	53.759	21.065	B4300	14L15-	3
487	67.4	3.9	1629	67.4	39.287	22.269	B2700	14L15-	3
498	65.8	0.9	450	65.8	24.102	22.813	B450	14L15-	3
499	65.6	1.2	600	65.6	24.588	22.852	B600	14L15-	3
499	65.6	1.6	820	65.6	24.997	22.853	B820	14L15-	3
500	65.5	3.0	1500	65.5	30.015	22.898	B1500	14L15-	3
507	64.6	3.4	1697	64.6	46.167	23.206	B4300	14L15-	3
524	62.6	2.9	1500	62.6	33.592	23.973	B1500	14L15-	3

Technical data

Selection tables

Inverter mains connection 400 V, Self-ventilated



Inverter operation							Geared motor		Number of stages
M_2	n_2	c	$M_{2, max}$	$n_{2, th}$	J	i			
Nm	rpm		Nm	rpm	kgcm ²				
534	61.3	3.9	1789	61.3	39.013	24.456	B2700	14L15-	3
553	59.3	0.8	450	59.3	24.078	25.294	B450	14L15-	3
554	59.2	1.1	600	59.2	25.577	25.347	B600	14L15-	3
554	59.1	3.4	1855	59.1	45.570	25.365	B4300	14L15-	3
558	58.7	1.5	820	58.7	24.953	25.550	B820	14L15-	3
569	57.6	1.1	600	57.3	26.282	26.061	B600	14L15-	3
575	57.0	1.4	820	57.0	26.477	26.324	B820	14L15-	3
576	56.9	2.6	1500	56.9	33.493	26.353	B1500	14L15-	3
586	55.9	3.4	1961	55.9	35.588	26.814	B2700	14L15-	3
638	51.4	2.4	1500	51.4	27.694	29.206	B1500	14L15-	3
643	50.9	3.4	2154	50.9	35.399	29.447	B2700	14L15-	3
650	50.4	0.9	600	50.4	24.120	29.744	B600	14L15-	3
650	50.4	1.3	820	50.4	24.309	29.745	B820	14L15-	3
679	48.2	3.0	2001	48.2	39.289	31.097	B4300	14L15-	3
705	46.5	1.2	820	46.5	25.643	32.291	B820	14L15-	3
709	46.2	0.9	600	46.2	24.999	32.439	B600	14L15-	3
711	46.1	2.1	1500	46.1	26.663	32.547	B1500	14L15-	3
718	45.6	3.0	2115	45.6	32.648	32.873	B2700	14L15-	3
781	42.0	0.8	600	36.8	25.517	35.740	B600	14L15-	3
782	41.9	1.9	1500	41.9	26.610	35.778	B1500	14L15-	3
789	41.5	1.0	820	41.5	25.620	36.102	B820	14L15-	3
789	41.5	3.0	2323	41.5	32.522	36.102	B2700	14L15-	3
798	41.1	1.9	1500	41.1	30.290	36.526	B1500	14L15-	3
842	38.9	2.3	1938	38.9	32.771	38.546	B4300	14L15-	3
893	36.7	1.7	1500	36.7	28.703	40.895	B1500	14L15-	3
903	36.3	0.9	820	36.3	25.039	41.325	B820	14L15-	3
916	35.8	0.7	600	35.8	24.076	41.940	B600	14L15-	3
934	35.1	2.9	2700	35.1	37.539	42.772	B2700	14L15-	3
934	35.1	4.3	3127	35.1	40.331	42.760	B4300	14L15-	3
982	33.4	1.5	1500	33.4	28.669	44.955	B1500	14L15-	3
988	33.2	0.8	820	33.2	24.881	45.207	B820	14L15-	3
999	32.8	0.6	600	25.9	24.962	45.739	B600	14L15-	3
1017	32.2	1.5	1500	32.2	25.538	46.568	B1500	14L15-	3
1021	32.1	4.2	3418	32.1	40.155	46.737	B4300	14L15-	3
1026	31.9	2.6	2700	31.9	37.465	46.973	B2700	14L15-	3
1069	30.7	2.3	2460	30.7	28.868	48.912	B2700	14L15-	3
1093	30.0	0.6	600	22.8	24.817	50.036	B600	14L15-	3
1104	29.7	0.7	820	29.7	24.870	50.543	B820	14L15-	3
1134	28.9	1.3	1500	28.9	24.885	51.920	B1500	14L15-	3
1164	28.2	3.7	3895	28.2	36.983	53.258	B4300	14L15-	3
1182	27.7	2.0	2327	27.7	24.513	54.082	B2700	14L15-	3
1247	26.3	1.2	1500	26.3	24.864	57.074	B1500	14L15-	3
1260	26.0	0.7	820	26.0	24.519	57.662	B820	14L15-	3
1276	25.7	1.2	1500	25.7	26.357	58.422	B1500	14L15-	3
1282	25.6	3.4	4291	25.6	34.092	58.671	B4300	14L15-	3
1298	25.3	2.0	2556	25.3	24.513	59.393	B2700	14L15-	3
1401	23.4	3.1	4300	23.4	33.998	64.127	B4300	14L15-	3
1403	23.4	1.1	1500	23.4	26.340	64.221	B1500	14L15-	3
1408	23.3	0.6	820	21.9	24.512	64.468	B820	14L15-	3
1408	23.3	1.9	2700	23.3	32.570	64.452	B2700	14L15-	3
1543	21.2	0.5	820	20.9	24.291	70.636	B820	14L15-	3
1563	21.0	1.0	1500	21.0	25.718	71.566	B1500	14L15-	3



Technical data

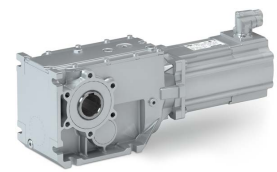
Selection tables
Inverter mains connection 400 V, Self-ventilated

Inverter operation							Geared motor		Number of stages
M_2	n_2	c	$M_{2, \max}$	$n_{2, \text{th}}$	J	i			
Nm	rpm		Nm	rpm	kgcm ²				
1571	20.9	2.7	4300	20.9	31.653	71.930	B4300	14L15-	3
1572	20.8	1.7	2700	20.8	30.666	71.951	B2700	14L15-	3
1679	19.5	1.6	2650	19.5	26.009	76.862	B2700	14L15-	3
1718	19.1	2.5	4300	19.1	31.591	78.619	B4300	14L15-	3
1856	17.7	1.3	2441	17.7	25.323	84.940	B2700	14L15-	3
2035	16.1	0.7	1500	16.1	25.012	93.150	B1500	14L15-	3
2038	16.1	1.3	2681	16.1	25.304	93.283	B2700	14L15-	3
2129	15.4	2.0	4300	15.4	28.394	97.453	B4300	14L15-	3
2130	15.4	1.3	2700	15.4	27.857	97.481	B2700	14L15-	3
2237	14.6	0.7	1500	14.6	25.005	102.396	B1500	14L15-	3
2327	14.1	1.9	4300	14.1	28.360	106.517	B4300	14L15-	3
2339	14.0	1.2	2700	14.0	27.842	107.056	B2700	14L15-	3
2494	13.1	0.6	1500	13.1	24.513	114.166	B1500	14L15-	3
2585	12.7	1.7	4300	12.7	24.513	118.336	B4300	14L15-	3
2586	12.7	1.0	2700	12.7	24.513	118.370	B2700	14L15-	3
2742	12.0	0.6	1500	12.0	24.513	125.498	B1500	14L15-	3
2826	11.6	1.5	4300	11.6	24.513	129.342	B4300	14L15-	3
2840	11.5	1.0	2700	11.5	24.513	129.996	B2700	14L15-	3
3346	9.8	1.3	4300	9.8	25.817	153.141	B4300	14L15-	3
3347	9.8	0.8	2700	9.8	25.599	153.185	B2700	14L15-	3
3657	9.0	1.2	4300	9.0	25.803	167.383	B4300	14L15-	3
3675	8.9	0.7	2700	8.9	25.593	168.230	B2700	14L15-	3
4060	8.1	1.1	4300	8.1	25.173	185.857	B4300	14L15-	3
4062	8.1	0.7	2700	8.1	25.026	185.911	B2700	14L15-	3
4438	7.4	1.0	4300	7.4	25.164	203.143	B4300	14L15-	3
4460	7.3	0.6	2700	7.3	25.022	204.170	B2700	14L15-	3

Technical data

Selection tables

Inverter mains connection 400 V, Self-ventilated



4 kW

Inverter operation						i	Geared motor		Number of stages
M ₂	n ₂	c	M _{2, max}	n _{2, th}	J				
Nm	rpm		Nm	rpm	kgcm ²				
176	208	4.8	561	208	86.952	6.866	B1500	19F14-	3
235	156	5.7	748	156	114.653	9.156	B4300	19F14-	3
244	150	4.1	777	150	78.064	9.516	B1500	19F14-	3
280	131	4.8	891	131	83.614	10.902	B1500	19F14-	3
307	119	4.8	979	119	83.132	11.985	B1500	19F14-	3
336	109	3.3	1072	109	72.661	13.118	B1500	19F14-	3
388	94.3	3.9	1234	94.3	76.326	15.111	B1500	19F14-	3
419	87.2	5.8	1336	87.2	94.188	16.351	B2700	19F14-	3
426	85.8	3.5	1357	85.8	76.075	16.611	B1500	19F14-	3
434	84.3	5.7	1382	84.3	104.664	16.913	B4300	19F14-	3
474	77.1	5.7	1510	77.1	103.539	18.486	B4300	19F14-	3
477	76.6	3.1	1500	76.6	73.197	18.598	B1500	19F14-	3
501	72.9	5.2	1596	72.9	84.748	19.542	B2700	19F14-	3
524	69.7	2.9	1500	69.7	73.031	20.444	B1500	19F14-	3
540	67.6	5.2	1721	67.6	95.359	21.065	B4300	19F14-	3
571	64.0	4.7	1819	64.0	80.887	22.269	B2700	19F14-	3
587	62.2	2.6	1500	62.2	71.615	22.898	B1500	19F14-	3
595	61.4	4.5	1896	61.4	87.767	23.206	B4300	19F14-	3
615	59.4	2.4	1500	59.4	75.192	23.973	B1500	19F14-	3
627	58.3	4.3	1998	58.3	80.613	24.456	B2700	19F14-	3
651	56.2	4.5	2072	56.2	87.170	25.365	B4300	19F14-	3
676	54.1	2.2	1500	54.1	75.093	26.353	B1500	19F14-	3
688	53.1	3.9	2190	53.1	77.188	26.814	B2700	19F14-	3
718	50.9	6.0	2288	50.9	99.200	28.013	B4300	19F14-	3
755	48.4	3.6	2405	48.4	76.999	29.447	B2700	19F14-	3
798	45.8	3.9	2540	45.8	80.889	31.097	B4300	19F14-	3
843	43.3	3.2	2685	43.3	74.248	32.873	B2700	19F14-	3
913	40.0	4.7	2909	40.0	89.646	35.607	B4300	19F14-	3
926	39.5	2.9	2700	39.5	74.122	36.102	B2700	19F14-	3
937	39.0	1.6	1500	39.0	71.890	36.526	B1500	19F14-	3
1049	34.8	1.4	1500	34.8	70.303	40.895	B1500	19F14-	3
1097	33.3	2.5	2700	33.3	79.139	42.772	B2700	19F14-	3
1097	33.3	3.9	3493	33.3	81.931	42.760	B4300	19F14-	3
1153	31.7	1.3	1500	31.7	70.269	44.955	B1500	19F14-	3
1199	30.5	3.6	3818	30.5	81.755	46.737	B4300	19F14-	3
1205	30.3	2.2	2700	30.3	79.065	46.973	B2700	19F14-	3
1366	26.8	3.2	4300	26.8	78.583	53.258	B4300	19F14-	3
1505	24.3	2.9	4300	24.3	75.692	58.671	B4300	19F14-	3
1645	22.2	2.6	4300	22.2	75.598	64.127	B4300	19F14-	3
1653	22.1	1.6	2700	22.1	74.170	64.452	B2700	19F14-	3
1845	19.8	1.5	2700	19.8	72.266	71.951	B2700	19F14-	3
1845	19.8	2.3	4300	19.8	73.253	71.930	B4300	19F14-	3
2016	18.1	2.1	4300	18.1	73.191	78.619	B4300	19F14-	3



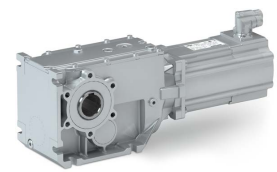
4.2 kW

Inverter operation						i	Geared motor		Number of stages
M ₂	n ₂	c	M _{2, max}	n _{2, th}	J				
Nm	rpm		Nm	rpm	kgcm ²				
141	272	2.2	312	272	46.222	4.958	B820	14P14-	3
143	270	2.0	280	270	39.060	5.002	B450	14P14-	3
144	266	2.6	376	266	41.431	5.067	B600	14P14-	3
194	199	2.0	391	199	41.411	6.800	B820	14P14-	3
195	197	1.6	308	197	37.182	6.860	B450	14P14-	3
196	197	3.4	670	197	56.652	6.866	B1500	14P14-	3
198	194	2.0	398	194	38.863	6.949	B600	14P14-	3
217	177	2.0	424	177	44.172	7.618	B820	14P14-	3
217	177	2.1	462	177	40.490	7.617	B600	14P14-	3
243	159	1.9	459	159	43.771	8.517	B820	14P14-	3
261	147	3.3	855	147	84.353	9.156	B4300	14P14-	3
265	145	1.4	368	145	37.906	9.315	B450	14P14-	3
271	142	3.0	822	142	47.764	9.516	B1500	14P14-	3
271	142	1.8	496	142	38.461	9.520	B820	14P14-	3
294	131	1.3	384	131	37.760	10.328	B450	14P14-	3
298	129	1.8	528	129	40.320	10.447	B820	14P14-	3
306	126	1.8	541	126	39.818	10.741	B600	14P14-	3
311	124	3.4	1064	124	53.314	10.902	B1500	14P14-	3
333	116	1.7	569	116	40.107	11.680	B820	14P14-	3
342	113	3.4	1170	113	52.832	11.985	B1500	14P14-	3
346	111	1.6	544	111	37.220	12.143	B820	14P14-	3
364	106	1.1	404	106	36.568	12.775	B450	14P14-	3
374	103	2.5	923	103	42.361	13.118	B1500	14P14-	3
381	101	1.5	553	101	37.206	13.369	B600	14P14-	3
381	101	1.6	619	101	38.401	13.370	B820	14P14-	3
404	95.3	1.1	422	95.3	36.491	14.165	B450	14P14-	3
417	92.3	1.6	653	92.3	37.904	14.626	B820	14P14-	3
420	91.6	1.4	600	91.6	38.006	14.730	B600	14P14-	3
431	89.3	3.0	1305	89.3	46.026	15.111	B1500	14P14-	3
466	82.6	0.9	434	82.6	35.927	16.349	B450	14P14-	3
466	82.6	1.5	708	82.6	37.796	16.352	B820	14P14-	3
473	81.3	3.0	1435	81.3	45.775	16.611	B1500	14P14-	3
482	79.8	3.3	1580	79.8	74.364	16.913	B4300	14P14-	3
510	75.5	0.9	446	75.5	35.746	17.885	B450	14P14-	3
527	73.0	3.3	1727	73.0	73.239	18.486	B4300	14P14-	3
530	72.6	2.6	1396	72.6	42.897	18.598	B1500	14P14-	3
532	72.4	1.4	747	72.4	36.878	18.655	B820	14P14-	3
537	71.6	1.1	600	71.6	36.988	18.851	B600	14P14-	3
557	69.1	3.3	1826	69.1	54.448	19.542	B2700	14P14-	3
565	68.1	0.8	450	68.1	35.706	19.831	B450	14P14-	3
583	66.0	2.6	1500	66.0	42.731	20.444	B1500	14P14-	3
588	65.5	1.0	600	65.5	36.723	20.622	B600	14P14-	3
594	64.7	1.4	820	64.7	36.811	20.857	B820	14P14-	3
600	64.1	3.0	1802	64.1	65.059	21.065	B4300	14P14-	3
635	60.6	3.0	1905	60.6	50.587	22.269	B2700	14P14-	3
650	59.2	0.7	450	59.2	35.402	22.813	B450	14P14-	3
651	59.1	0.9	600	59.1	35.888	22.852	B600	14P14-	3
651	59.1	1.3	820	59.1	36.297	22.853	B820	14P14-	3
652	59.0	2.3	1500	59.0	41.315	22.898	B1500	14P14-	3
661	58.2	2.6	1740	58.2	57.467	23.206	B4300	14P14-	3
683	56.3	2.2	1500	56.3	44.892	23.973	B1500	14P14-	3

Technical data

Selection tables

Inverter mains connection 400 V, Self-ventilated



Inverter operation							Geared motor		Number of stages
M_2	n_2	c	$M_{2, max}$	$n_{2, th}$	J	i			
Nm	rpm		Nm	rpm	kgcm ²				
697	55.2	3.0	2092	55.2	50.313	24.456	B2700	14P14-	3
721	53.4	0.6	450	53.4	35.378	25.294	B450	14P14-	3
722	53.3	0.8	600	53.3	36.877	25.347	B600	14P14-	3
723	53.2	2.6	1901	53.2	56.870	25.365	B4300	14P14-	3
728	52.8	1.1	820	52.8	36.253	25.550	B820	14P14-	3
743	51.8	0.8	600	45.3	37.582	26.061	B600	14P14-	3
750	51.3	1.1	820	51.3	37.777	26.324	B820	14P14-	3
751	51.2	2.0	1500	51.2	44.793	26.353	B1500	14P14-	3
764	50.3	2.6	2010	50.3	46.888	26.814	B2700	14P14-	3
832	46.2	1.8	1500	46.2	38.994	29.206	B1500	14P14-	3
839	45.8	2.6	2207	45.8	46.699	29.447	B2700	14P14-	3
848	45.4	0.7	600	45.4	35.420	29.744	B600	14P14-	3
848	45.4	1.0	820	45.4	35.609	29.745	B820	14P14-	3
886	43.4	2.3	2001	43.4	50.589	31.097	B4300	14P14-	3
920	41.8	0.9	820	41.8	36.943	32.291	B820	14P14-	3
924	41.6	0.7	600	39.4	36.299	32.439	B600	14P14-	3
927	41.5	1.6	1500	41.5	37.963	32.547	B1500	14P14-	3
937	41.1	2.3	2115	41.1	43.948	32.873	B2700	14P14-	3
1018	37.8	0.6	600	28.2	36.817	35.740	B600	14P14-	3
1020	37.7	1.5	1500	37.7	37.910	35.778	B1500	14P14-	3
1029	37.4	0.8	820	37.4	36.920	36.102	B820	14P14-	3
1029	37.4	2.3	2323	37.4	43.822	36.102	B2700	14P14-	3
1041	37.0	1.4	1500	37.0	41.590	36.526	B1500	14P14-	3
1098	35.0	1.8	1938	35.0	44.071	38.546	B4300	14P14-	3
1165	33.0	1.3	1500	33.0	40.003	40.895	B1500	14P14-	3
1178	32.7	0.7	820	32.7	36.339	41.325	B820	14P14-	3
1195	32.2	0.5	600	32.2	35.376	41.940	B600	14P14-	3
1218	31.6	3.3	3995	31.6	51.631	42.760	B4300	14P14-	3
1219	31.6	2.2	2700	31.6	48.839	42.772	B2700	14P14-	3
1281	30.0	1.2	1500	30.0	39.969	44.955	B1500	14P14-	3
1288	29.9	0.6	820	29.3	36.181	45.207	B820	14P14-	3
1327	29.0	1.1	1500	29.0	36.838	46.568	B1500	14P14-	3
1332	28.9	3.2	4300	28.9	51.455	46.737	B4300	14P14-	3
1339	28.7	2.0	2700	28.7	48.765	46.973	B2700	14P14-	3
1394	27.6	1.8	2460	27.6	40.168	48.912	B2700	14P14-	3
1440	26.7	0.6	820	23.4	36.170	50.543	B820	14P14-	3
1480	26.0	1.0	1500	26.0	36.185	51.920	B1500	14P14-	3
1518	25.3	2.8	4300	25.3	48.283	53.258	B4300	14P14-	3
1541	25.0	1.5	2327	25.0	35.813	54.082	B2700	14P14-	3
1626	23.7	0.9	1500	23.7	36.164	57.074	B1500	14P14-	3
1665	23.1	0.9	1500	23.1	37.657	58.422	B1500	14P14-	3
1672	23.0	2.6	4300	23.0	45.392	58.671	B4300	14P14-	3
1692	22.7	1.5	2556	22.7	35.813	59.393	B2700	14P14-	3
1827	21.1	2.4	4300	21.1	45.298	64.127	B4300	14P14-	3
1830	21.0	0.8	1500	21.0	37.640	64.221	B1500	14P14-	3
1837	20.9	1.5	2700	20.9	43.870	64.452	B2700	14P14-	3
2039	18.9	0.7	1500	18.9	37.018	71.566	B1500	14P14-	3
2050	18.8	1.3	2700	18.8	41.966	71.951	B2700	14P14-	3
2050	18.8	2.1	4300	18.8	42.953	71.930	B4300	14P14-	3
2190	17.6	1.2	2650	17.6	37.309	76.862	B2700	14P14-	3
2240	17.2	1.9	4300	17.2	42.891	78.619	B4300	14P14-	3
2420	15.9	1.0	2441	15.9	36.623	84.940	B2700	14P14-	3



Technical data

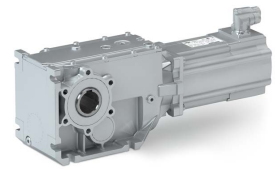
Selection tables
Inverter mains connection 400 V, Self-ventilated

Inverter operation							Geared motor		Number of stages
M_2	n_2	c	$M_{2, \max}$	$n_{2, \text{th}}$	J	i			
Nm	rpm		Nm	rpm	kgcm ²				
2654	14.5	0.6	1500	14.5	36.312	93.150	B1500	14P14-	3
2658	14.5	1.0	2681	14.5	36.604	93.283	B2700	14P14-	3
2777	13.9	1.6	4300	13.9	39.694	97.453	B4300	14P14-	3
2778	13.8	1.0	2700	13.8	39.157	97.481	B2700	14P14-	3
2918	13.2	0.5	1500	13.2	36.305	102.396	B1500	14P14-	3
3035	12.7	1.4	4300	12.7	39.660	106.517	B4300	14P14-	3
3051	12.6	0.9	2700	12.6	39.142	107.056	B2700	14P14-	3
3372	11.4	1.3	4300	11.4	35.813	118.336	B4300	14P14-	3
3373	11.4	0.8	2700	11.4	35.813	118.370	B2700	14P14-	3
3686	10.4	1.2	4300	10.4	35.813	129.342	B4300	14P14-	3
3704	10.4	0.7	2700	10.4	35.813	129.996	B2700	14P14-	3
4364	8.8	1.0	4300	8.8	37.117	153.141	B4300	14P14-	3
4365	8.8	0.6	2700	8.8	36.899	153.185	B2700	14P14-	3
4770	8.1	0.9	4300	8.1	37.103	167.383	B4300	14P14-	3
4794	8.0	0.6	2700	8.0	36.893	168.230	B2700	14P14-	3
5296	7.3	0.8	4300	7.3	36.473	185.857	B4300	14P14-	3
5298	7.3	0.5	2700	7.3	36.326	185.911	B2700	14P14-	3
5789	6.6	0.7	4300	6.6	36.464	203.143	B4300	14P14-	3

Technical data

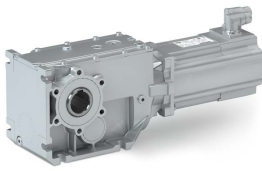
Selection tables

Inverter mains connection 400 V, Self-ventilated



4.7 kW

Inverter operation						i	Geared motor		Number of stages
M ₂	n ₂	c	M _{2, max}	n _{2, th}	J				
Nm	rpm		Nm	rpm	kgcm ²				
37.0	1136	2.7	138	745	13.572	3.565	B240	12L41-	2
51.0	828	2.1	147	607	12.344	4.889	B240	12L41-	2
52.0	817	3.8	264	486	22.122	4.958	B820	12L41-	3
52.0	810	3.0	221	546	14.960	5.002	B450	12L41-	3
53.0	799	3.8	270	476	17.331	5.067	B600	12L41-	3
65.0	647	1.7	156	483	11.751	6.257	B240	12L41-	2
66.0	650	3.7	259	484	25.722	4.958	B820	14H32-	3
67.0	645	3.3	261	554	18.560	5.002	B450	14H32-	3
67.0	637	4.3	265	490	20.931	5.067	B600	14H32-	3
71.0	596	3.1	310	396	17.311	6.800	B820	12L41-	3
72.0	590	2.5	253	451	13.082	6.860	B450	12L41-	3
72.0	588	1.8	179	342	12.274	6.883	B240	12L41-	2
73.0	583	3.1	317	388	14.763	6.949	B600	12L41-	3
80.0	532	3.8	405	316	16.390	7.617	B600	12L41-	3
80.0	532	3.8	405	316	20.072	7.618	B820	12L41-	3
82.0	518	1.6	187	287	12.113	7.817	B240	12L41-	2
89.0	476	3.7	453	282	19.671	8.517	B820	12L41-	3
90.0	474	3.4	355	402	20.911	6.800	B820	14H32-	3
91.0	470	2.6	308	455	16.682	6.860	B450	14H32-	3
91.0	470	5.7	359	328	36.152	6.866	B1500	14H32-	3
92.0	464	3.3	363	393	18.363	6.949	B600	14H32-	3
97.0	435	2.7	368	287	13.806	9.315	B450	12L41-	3
99.0	429	1.4	191	257	11.654	9.440	B240	12L41-	2
99.0	425	2.5	349	325	14.361	9.520	B820	12L41-	3
101	423	3.2	398	307	23.672	7.618	B820	14H32-	3
101	423	3.5	398	312	19.990	7.617	B600	14H32-	3
108	392	2.6	384	255	13.660	10.328	B450	12L41-	3
109	388	3.1	476	258	16.220	10.447	B820	12L41-	3
112	378	1.3	204	219	11.568	10.720	B240	12L41-	2
112	377	3.5	541	221	15.718	10.741	B600	12L41-	3
113	379	3.1	445	272	23.271	8.517	B820	14H32-	3
122	352	5.4	478	255	63.853	9.156	B4300	14H32-	3
122	347	3.1	532	231	16.007	11.680	B820	12L41-	3
124	346	2.3	368	276	17.406	9.315	B450	14H32-	3
126	335	1.2	208	211	11.329	12.081	B240	12L41-	2
127	339	5.0	497	265	27.264	9.516	B1500	14H32-	3
127	339	3.0	496	338	17.961	9.520	B820	14H32-	3
127	334	2.1	374	274	13.120	12.143	B820	12L41-	3
133	317	2.2	404	235	12.468	12.775	B450	12L41-	3
137	312	2.2	384	246	17.260	10.328	B450	14H32-	3
137	309	3.1	594	205	18.261	13.118	B1500	12L41-	3
139	309	3.0	528	255	19.820	10.447	B820	14H32-	3
140	303	2.6	512	226	13.106	13.369	B600	12L41-	3
140	303	2.6	512	226	14.301	13.370	B820	12L41-	3
143	300	2.9	541	213	19.318	10.741	B600	14H32-	3
143	295	1.1	217	180	11.277	13.719	B240	12L41-	2
145	296	5.7	570	206	32.814	10.902	B1500	14H32-	3
148	286	2.1	422	209	12.391	14.165	B450	12L41-	3
153	277	2.5	535	212	13.804	14.626	B820	12L41-	3
154	275	2.8	600	179	13.906	14.730	B600	12L41-	3
155	276	2.8	569	226	19.607	11.680	B820	14H32-	3



Technical data

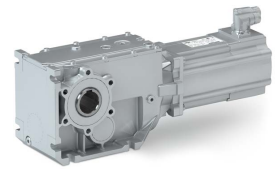
Selection tables
Inverter mains connection 400 V, Self-ventilated

Inverter operation							Geared motor		Number of stages
M_2	n_2	c	$M_{2, max}$	$n_{2, th}$	J	i			
Nm	rpm		Nm	rpm	kgcm ²				
157	270	1.0	223	169	11.186	15.008	B240	12L41-	2
159	269	5.7	626	188	32.332	11.985	B1500	14H32-	3
161	266	2.6	544	266	16.720	12.143	B820	14H32-	3
170	252	1.8	404	221	16.068	12.775	B450	14H32-	3
171	248	1.8	434	191	11.827	16.349	B450	12L41-	3
171	248	2.5	599	189	13.696	16.352	B820	12L41-	3
174	246	4.1	685	217	21.861	13.118	B1500	14H32-	3
176	240	1.0	240	171	11.047	16.857	B240	12L41-	2
178	241	2.4	553	221	16.706	13.369	B600	14H32-	3
178	241	2.7	619	227	17.901	13.370	B820	14H32-	3
187	226	1.7	446	176	11.646	17.885	B450	12L41-	3
188	228	1.7	422	193	15.991	14.165	B450	14H32-	3
194	221	2.6	653	213	17.404	14.626	B820	14H32-	3
194	218	3.3	890	140	18.797	18.598	B1500	12L41-	3
195	217	2.1	575	179	12.778	18.655	B820	12L41-	3
196	219	2.4	600	172	17.506	14.730	B600	14H32-	3
197	215	2.2	600	154	12.888	18.851	B600	12L41-	3
200	212	0.9	240	132	11.020	19.143	B240	12L41-	2
201	213	5.0	789	167	25.526	15.111	B1500	14H32-	3
207	204	1.6	450	152	11.606	19.831	B450	12L41-	3
214	198	3.3	978	128	18.631	20.444	B1500	12L41-	3
215	196	2.0	600	144	12.623	20.622	B600	12L41-	3
216	196	0.8	240	130	10.940	20.650	B240	12L41-	2
217	197	1.6	434	176	15.427	16.349	B450	14H32-	3
217	197	2.5	708	189	17.296	16.352	B820	14H32-	3
218	194	2.1	643	160	12.711	20.857	B820	12L41-	3
221	194	5.0	868	152	25.275	16.611	B1500	14H32-	3
225	191	5.4	884	138	53.864	16.913	B4300	14H32-	3
238	180	1.5	446	164	15.246	17.885	B450	14H32-	3
238	178	1.4	450	147	11.302	22.813	B450	12L41-	3
239	177	1.8	600	162	11.788	22.852	B600	12L41-	3
239	177	1.8	605	162	12.197	22.853	B820	12L41-	3
239	177	3.1	1036	117	17.215	22.898	B1500	12L41-	3
242	175	3.3	1111	112	33.367	23.206	B4300	12L41-	3
245	173	0.7	240	101	10.922	23.450	B240	12L41-	2
246	175	5.4	966	126	52.739	18.486	B4300	14H32-	3
247	173	4.4	972	149	22.397	18.598	B1500	14H32-	3
248	173	2.3	747	173	16.378	18.655	B820	14H32-	3
251	171	1.9	600	145	16.488	18.851	B600	14H32-	3
260	165	5.4	1021	120	33.948	19.542	B2700	14H32-	3
264	163	1.3	450	142	15.206	19.831	B450	14H32-	3
264	160	1.2	450	126	11.278	25.294	B450	12L41-	3
265	160	1.6	600	85.9	12.777	25.347	B600	12L41-	3
265	160	3.3	1215	103	32.770	25.365	B4300	12L41-	3
267	159	1.8	676	145	12.153	25.550	B820	12L41-	3
272	158	4.3	1068	135	22.231	20.444	B1500	14H32-	3
272	155	1.6	600	70.4	13.482	26.061	B600	12L41-	3
274	156	1.7	600	131	16.223	20.622	B600	14H32-	3
275	154	2.1	820	80.6	13.677	26.324	B820	12L41-	3
277	155	2.3	820	155	16.311	20.857	B820	14H32-	3
280	153	5.0	1101	119	44.559	21.065	B4300	14H32-	3
280	151	3.3	1284	97.1	22.788	26.814	B2700	12L41-	3

Technical data

Selection tables

Inverter mains connection 400 V, Self-ventilated



Inverter operation							Geared motor		Number of stages
M_2	n_2	c	$M_{2, max}$	$n_{2, th}$	J	i			
Nm	rpm		Nm	rpm	kgcm ²				
292	145	1.1	450	125	11.110	27.945	B450	12L41-	3
296	145	5.0	1163	113	30.087	22.269	B2700	14H32-	3
303	141	1.2	450	136	14.902	22.813	B450	14H32-	3
304	141	1.5	600	141	15.388	22.852	B600	14H32-	3
304	141	2.1	820	141	15.797	22.853	B820	14H32-	3
304	141	3.8	1196	122	20.815	22.898	B1500	14H32-	3
305	139	2.6	1113	104	14.894	29.206	B1500	12L41-	3
308	138	3.3	1410	88.4	22.599	29.447	B2700	12L41-	3
309	139	4.4	1212	119	36.967	23.206	B4300	14H32-	3
311	136	1.4	600	127	11.320	29.744	B600	12L41-	3
311	136	1.5	630	130	11.509	29.745	B820	12L41-	3
319	135	3.7	1252	85.1	24.392	23.973	B1500	14H32-	3
324	131	1.0	450	109	11.094	30.985	B450	12L41-	3
325	132	5.0	1278	103	29.813	24.456	B2700	14H32-	3
336	128	1.0	450	118	14.878	25.294	B450	14H32-	3
337	127	1.4	600	78.7	16.377	25.347	B600	14H32-	3
337	127	4.4	1325	109	36.370	25.365	B4300	14H32-	3
337	125	1.8	820	70.2	12.843	32.291	B820	12L41-	3
339	125	1.3	600	68.2	12.199	32.439	B600	12L41-	3
340	126	1.9	820	126	15.753	25.550	B820	14H32-	3
340	124	2.3	1065	99.1	13.863	32.547	B1500	12L41-	3
347	124	1.3	600	64.4	17.082	26.061	B600	14H32-	3
350	123	1.8	820	75.3	17.277	26.324	B820	14H32-	3
350	122	3.3	1377	75.7	24.293	26.353	B1500	14H32-	3
357	120	4.4	1401	103	26.388	26.814	B2700	14H32-	3
373	113	1.2	600	51.1	12.717	35.740	B600	12L41-	3
374	113	2.3	1171	90.2	13.810	35.778	B1500	12L41-	3
377	112	1.6	820	59.0	12.820	36.102	B820	12L41-	3
387	110	1.1	600	110	11.080	36.999	B600	12L41-	3
387	110	1.2	654	110	11.236	37.000	B820	12L41-	3
388	110	3.0	1500	107	18.494	29.206	B1500	14H32-	3
392	110	4.4	1538	93.9	26.199	29.447	B2700	14H32-	3
396	108	1.2	600	108	14.920	29.744	B600	14H32-	3
396	108	1.6	820	108	15.109	29.745	B820	14H32-	3
403	105	2.2	1241	82.9	19.971	38.546	B4300	12L41-	3
414	104	3.8	1625	93.6	30.089	31.097	B4300	14H32-	3
427	99.0	2.9	1500	61.8	15.903	40.895	B1500	12L41-	3
429	99.9	1.5	820	64.1	16.443	32.291	B820	14H32-	3
431	99.4	1.1	600	62.9	15.799	32.439	B600	14H32-	3
432	98.0	1.6	820	59.5	12.239	41.325	B820	12L41-	3
433	99.1	2.7	1500	99.1	17.463	32.547	B1500	14H32-	3
437	98.1	3.8	1717	88.5	23.448	32.873	B2700	14H32-	3
438	96.6	1.1	600	82.9	11.276	41.940	B600	12L41-	3
470	90.1	2.6	1500	55.0	15.869	44.955	B1500	12L41-	3
472	89.6	1.4	820	54.2	12.081	45.207	B820	12L41-	3
475	90.2	1.0	600	46.9	16.317	35.740	B600	14H32-	3
476	90.1	2.4	1500	90.1	17.410	35.778	B1500	14H32-	3
478	88.5	1.0	600	43.6	12.162	45.739	B600	12L41-	3
480	89.3	1.3	820	54.1	16.420	36.102	B820	14H32-	3
480	89.3	3.8	1886	80.6	23.322	36.102	B2700	14H32-	3
486	88.3	2.4	1500	58.6	21.090	36.526	B1500	14H32-	3
487	87.0	2.1	1223	83.2	12.738	46.568	B1500	12L41-	3



Technical data

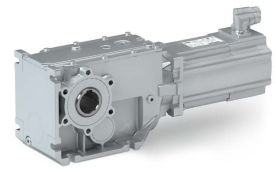
Selection tables
Inverter mains connection 400 V, Self-ventilated

Inverter operation							Geared motor		Number of stages
M_2	n_2	c	$M_{2, max}$	$n_{2, th}$	J	i			
Nm	rpm		Nm	rpm	kgcm ²				
511	82.8	2.5	1575	67.0	16.068	48.912	B2700	12L41-	3
513	83.7	2.9	1938	83.7	23.571	38.546	B4300	14H32-	3
523	80.9	0.9	600	38.9	12.017	50.036	B600	12L41-	3
528	80.1	1.3	820	45.8	12.070	50.543	B820	12L41-	3
542	78.0	1.8	1166	78.0	12.085	51.920	B1500	12L41-	3
544	78.9	2.4	1500	59.5	19.503	40.895	B1500	14H32-	3
550	78.0	1.3	820	54.4	15.839	41.325	B820	14H32-	3
558	76.9	1.0	600	75.5	14.876	41.940	B600	14H32-	3
565	74.9	2.2	1492	69.8	11.713	54.082	B2700	12L41-	3
569	75.4	4.2	2235	51.7	28.339	42.772	B2700	14H32-	3
579	73.0	0.9	600	42.3	11.478	55.447	B600	12L41-	3
587	72.1	0.6	450	32.8	11.075	56.154	B450	12L41-	3
596	71.0	1.8	1282	70.9	12.064	57.074	B1500	12L41-	3
598	71.7	2.2	1500	52.9	19.469	44.955	B1500	14H32-	3
601	71.3	1.2	820	50.0	15.681	45.207	B820	14H32-	3
602	70.2	1.1	820	43.8	11.719	57.662	B820	12L41-	3
608	70.5	0.9	600	37.4	15.762	45.739	B600	14H32-	3
610	69.3	2.0	1500	49.0	13.557	58.422	B1500	12L41-	3
613	69.0	3.7	2810	45.6	21.292	58.671	B4300	12L41-	3
619	69.3	2.1	1500	69.3	16.338	46.568	B1500	14H32-	3
621	68.2	2.2	1639	63.5	11.713	59.393	B2700	12L41-	3
625	68.7	3.8	2454	46.2	28.265	46.973	B2700	14H32-	3
650	65.9	3.3	2460	65.9	19.668	48.912	B2700	14H32-	3
651	65.0	0.6	450	26.6	11.071	62.262	B450	12L41-	3
665	64.5	0.8	600	33.0	15.617	50.036	B600	14H32-	3
667	63.5	0.7	600	27.9	11.679	63.822	B600	12L41-	3
670	63.2	3.7	3071	41.8	21.198	64.127	B4300	12L41-	3
671	63.1	1.8	1500	42.4	13.540	64.221	B1500	12L41-	3
672	63.8	1.1	820	42.5	15.670	50.543	B820	14H32-	3
673	62.8	3.3	2700	40.4	19.770	64.452	B2700	12L41-	3
674	62.8	1.0	820	37.4	11.712	64.468	B820	12L41-	3
690	62.1	1.9	1500	62.1	15.685	51.920	B1500	14H32-	3
708	60.6	5.3	2782	47.9	27.783	53.258	B4300	14H32-	3
719	59.6	2.9	2327	59.6	15.313	54.082	B2700	14H32-	3
719	58.9	0.5	450	25.0	10.959	68.788	B450	12L41-	3
737	58.2	0.7	600	35.9	15.078	55.447	B600	14H32-	3
738	57.3	0.9	820	35.6	11.491	70.636	B820	12L41-	3
747	57.4	0.5	450	27.8	14.675	56.154	B450	14H32-	3
748	56.6	1.6	1500	39.8	12.918	71.566	B1500	12L41-	3
754	56.1	0.7	600	30.1	11.137	72.170	B600	12L41-	3
759	56.5	1.7	1500	56.5	15.664	57.074	B1500	14H32-	3
767	55.9	0.9	820	39.6	15.319	57.662	B820	14H32-	3
777	55.2	1.7	1500	44.7	17.157	58.422	B1500	14H32-	3
780	55.0	4.9	3065	48.2	24.892	58.671	B4300	14H32-	3
783	54.0	1.4	1318	54.0	11.506	74.963	B1500	12L41-	3
790	54.3	2.9	2556	54.3	15.313	59.393	B2700	14H32-	3
803	52.7	1.7	1700	52.1	13.209	76.862	B2700	12L41-	3
817	51.8	0.6	600	21.3	11.465	78.182	B600	12L41-	3
825	51.3	0.8	820	28.5	11.487	78.973	B820	12L41-	3
849	50.5	0.6	600	23.6	15.279	63.822	B600	14H32-	3
853	50.3	4.4	3350	43.3	24.798	64.127	B4300	14H32-	3
854	50.2	1.6	1500	38.6	17.140	64.221	B1500	14H32-	3

Technical data

Selection tables

Inverter mains connection 400 V, Self-ventilated



Inverter operation							Geared motor		Number of stages
M_2	n_2	c	$M_{2, max}$	$n_{2, th}$	J	i			
Nm	rpm		Nm	rpm	kgcm ²				
857	50.0	0.8	820	31.7	15.312	64.468	B820	14H32-	3
857	50.0	2.8	2700	38.9	23.370	64.452	B2700	14H32-	3
865	48.9	1.1	1213	48.9	11.267	82.762	B1500	12L41-	3
887	47.7	1.4	1568	47.7	12.523	84.940	B2700	12L41-	3
938	45.1	0.5	600	22.8	10.961	89.772	B600	12L41-	3
939	45.7	0.8	820	30.2	15.091	70.636	B820	14H32-	3
951	44.5	1.1	1333	44.5	11.258	90.978	B1500	12L41-	3
952	45.1	1.4	1500	36.7	16.518	71.566	B1500	14H32-	3
957	44.8	2.5	2700	37.2	21.466	71.951	B2700	14H32-	3
957	44.8	4.0	3758	40.9	22.453	71.930	B4300	14H32-	3
960	44.7	0.6	600	25.5	14.737	72.170	B600	14H32-	3
961	44.1	0.7	820	25.3	11.092	91.939	B820	12L41-	3
973	43.5	1.3	1500	32.6	12.212	93.150	B1500	12L41-	3
975	43.4	1.4	1722	43.4	12.504	93.283	B2700	12L41-	3
1018	41.6	2.5	3138	33.6	15.594	97.453	B4300	12L41-	3
1019	41.5	2.2	2700	32.6	15.057	97.481	B2700	12L41-	3
1022	42.0	2.3	2650	42.0	16.809	76.862	B2700	14H32-	3
1040	41.3	0.5	600	18.0	15.065	78.182	B600	14H32-	3
1045	41.0	3.6	4107	36.8	22.391	78.619	B4300	14H32-	3
1050	40.8	0.7	820	24.2	15.087	78.973	B820	14H32-	3
1070	39.6	1.1	1500	28.4	12.205	102.396	B1500	12L41-	3
1074	39.4	0.6	820	20.3	11.089	102.790	B820	12L41-	3
1113	38.0	2.5	3430	30.8	15.560	106.517	B4300	12L41-	3
1119	37.8	2.0	2700	29.2	15.042	107.056	B2700	12L41-	3
1130	38.0	1.9	2441	38.0	16.123	84.940	B2700	14H32-	3
1193	35.5	1.1	1500	29.3	11.713	114.166	B1500	12L41-	3
1195	35.4	0.6	820	21.3	10.966	114.364	B820	12L41-	3
1223	35.1	0.6	820	21.5	14.692	91.939	B820	14H32-	3
1236	34.2	2.4	3265	32.6	11.713	118.336	B4300	12L41-	3
1237	34.2	2.0	2700	31.4	11.713	118.370	B2700	12L41-	3
1239	34.6	1.1	1500	30.3	15.812	93.150	B1500	14H32-	3
1240	34.6	1.9	2681	34.6	16.104	93.283	B2700	14H32-	3
1296	33.1	1.8	2700	30.8	18.657	97.481	B2700	14H32-	3
1296	33.1	2.9	4300	33.1	19.194	97.453	B4300	14H32-	3
1311	32.3	1.0	1500	25.7	11.713	125.498	B1500	12L41-	3
1336	31.7	0.6	820	17.0	10.965	127.861	B820	12L41-	3
1351	31.3	2.4	3569	29.8	11.713	129.342	B4300	12L41-	3
1358	31.2	1.8	2700	27.1	11.713	129.996	B2700	12L41-	3
1362	31.5	1.0	1500	26.0	15.805	102.396	B1500	14H32-	3
1367	31.4	0.5	820	17.2	14.689	102.790	B820	14H32-	3
1416	30.3	2.7	4300	30.3	19.160	106.517	B4300	14H32-	3
1424	30.1	1.7	2700	26.7	18.642	107.056	B2700	14H32-	3
1518	28.2	1.0	1500	26.9	15.313	114.166	B1500	14H32-	3
1567	27.0	0.9	1500	22.7	11.303	149.949	B1500	12L41-	3
1574	27.3	2.7	4300	27.3	15.313	118.336	B4300	14H32-	3
1574	27.2	1.7	2700	27.2	15.313	118.370	B2700	14H32-	3
1600	26.4	1.9	3388	26.4	13.017	153.141	B4300	12L41-	3
1601	26.4	1.5	2700	24.7	12.799	153.185	B2700	12L41-	3
1669	25.7	0.9	1500	22.3	15.313	125.498	B1500	14H32-	3
1720	24.9	2.4	4300	24.9	15.313	129.342	B4300	14H32-	3
1722	24.6	0.8	1500	18.8	11.300	164.833	B1500	12L41-	3
1729	24.8	1.5	2700	24.7	15.313	129.996	B2700	14H32-	3



Technical data

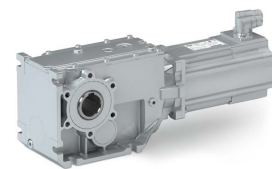
Selection tables
Inverter mains connection 400 V, Self-ventilated

Inverter operation							Geared motor		Number of stages
M_2	n_2	c	$M_{2, \max}$	$n_{2, \text{th}}$	J	i			
Nm	rpm		Nm	rpm	kgcm ²				
1749	24.2	1.9	3703	24.2	13.003	167.383	B4300	12L41-	3
1758	24.1	1.4	2700	21.5	12.793	168.230	B2700	12L41-	3
1901	22.3	0.7	1500	17.9	11.121	181.983	B1500	12L41-	3
1942	21.8	1.3	2700	21.5	12.226	185.911	B2700	12L41-	3
1942	21.8	1.6	3430	21.8	12.373	185.857	B4300	12L41-	3
2036	21.1	2.1	4300	21.1	16.617	153.141	B4300	14H32-	3
2037	21.1	1.3	2700	21.1	16.399	153.185	B2700	14H32-	3
2090	20.2	0.7	1500	20.2	11.119	200.048	B1500	12L41-	3
2123	19.9	1.6	3749	19.9	12.364	203.143	B4300	12L41-	3
2133	19.8	1.2	2700	19.8	12.222	204.170	B2700	12L41-	3
2226	19.3	1.9	4300	19.3	16.603	167.383	B4300	14H32-	3
2237	19.2	1.2	2700	19.2	16.393	168.230	B2700	14H32-	3
2455	17.2	1.0	2700	17.2	11.680	235.000	B2700	12L41-	3
2455	17.2	1.3	3474	17.2	11.773	234.932	B4300	12L41-	3
2472	17.4	1.7	4300	17.4	15.973	185.857	B4300	14H32-	3
2472	17.3	1.1	2700	17.3	15.826	185.911	B2700	14H32-	3
2683	15.8	1.3	3798	15.8	11.767	256.781	B4300	12L41-	3
2697	15.7	0.9	2700	15.7	11.678	258.080	B2700	12L41-	3
2701	15.9	1.6	4300	15.9	15.964	203.143	B4300	14H32-	3
2715	15.8	1.0	2700	15.8	15.822	204.170	B2700	14H32-	3

Technical data

Selection tables

Inverter mains connection 400 V, Self-ventilated



5.8 kW

Inverter operation						i	Geared motor		Number of stages
M ₂	n ₂	c	M _{2, max}	n _{2, th}	J				
Nm	rpm		Nm	rpm	kgcm ²				
81.0	650	3.0	312	462	34.922	4.958	B820	14L32-	3
82.0	645	2.7	280	531	27.760	5.002	B450	14L32-	3
83.0	637	3.5	371	469	30.131	5.067	B600	14L32-	3
111	474	2.7	391	385	30.111	6.800	B820	14L32-	3
112	470	2.1	308	435	25.882	6.860	B450	14L32-	3
112	470	4.6	502	314	45.352	6.866	B1500	14L32-	3
114	464	2.7	398	376	27.563	6.949	B600	14L32-	3
124	423	2.6	424	293	32.872	7.618	B820	14L32-	3
124	423	2.9	462	299	29.190	7.617	B600	14L32-	3
139	379	2.6	459	260	32.471	8.517	B820	14L32-	3
150	352	4.4	670	245	73.053	9.156	B4300	14L32-	3
152	346	1.9	368	260	26.606	9.315	B450	14L32-	3
155	339	4.1	696	254	36.464	9.516	B1500	14L32-	3
156	339	2.5	496	324	27.161	9.520	B820	14L32-	3
169	312	1.8	384	226	26.460	10.328	B450	14L32-	3
171	309	2.4	528	243	29.020	10.447	B820	14L32-	3
175	300	2.4	541	203	28.518	10.741	B600	14L32-	3
178	296	4.6	797	197	42.014	10.902	B1500	14L32-	3
191	276	2.3	569	216	28.807	11.680	B820	14L32-	3
196	269	4.6	877	180	41.532	11.985	B1500	14L32-	3
198	266	2.1	544	266	25.920	12.143	B820	14L32-	3
209	252	1.5	404	197	25.268	12.775	B450	14L32-	3
214	246	3.3	923	208	31.061	13.118	B1500	14L32-	3
218	241	2.0	553	211	25.906	13.369	B600	14L32-	3
218	241	2.2	619	217	27.101	13.370	B820	14L32-	3
231	228	1.4	422	173	25.191	14.165	B450	14L32-	3
239	221	2.1	653	204	26.604	14.626	B820	14L32-	3
241	219	1.9	600	163	26.706	14.730	B600	14L32-	3
247	213	4.1	1105	160	34.726	15.111	B1500	14L32-	3
267	197	1.3	434	160	24.627	16.349	B450	14L32-	3
267	197	2.1	708	181	26.496	16.352	B820	14L32-	3
271	194	4.1	1215	145	34.475	16.611	B1500	14L32-	3
276	191	4.4	1237	133	63.064	16.913	B4300	14L32-	3
292	180	1.2	446	150	24.446	17.885	B450	14L32-	3
302	175	4.4	1352	121	61.939	18.486	B4300	14L32-	3
304	173	3.6	1360	143	31.597	18.598	B1500	14L32-	3
305	173	1.9	747	173	25.578	18.655	B820	14L32-	3
308	171	1.5	600	129	25.688	18.851	B600	14L32-	3
319	165	4.4	1429	115	43.148	19.542	B2700	14L32-	3
324	163	1.1	450	131	24.406	19.831	B450	14L32-	3
334	158	3.5	1495	129	31.431	20.444	B1500	14L32-	3
337	156	1.4	600	117	25.423	20.622	B600	14L32-	3
341	155	1.9	820	153	25.511	20.857	B820	14L32-	3
344	153	4.1	1541	114	53.759	21.065	B4300	14L32-	3
364	145	4.1	1629	108	39.287	22.269	B2700	14L32-	3
373	141	0.9	450	121	24.102	22.813	B450	14L32-	3
373	141	1.3	600	134	24.588	22.852	B600	14L32-	3
373	141	1.7	820	141	24.997	22.853	B820	14L32-	3
374	141	3.1	1500	117	30.015	22.898	B1500	14L32-	3
379	139	3.6	1697	114	46.167	23.206	B4300	14L32-	3
392	135	3.0	1500	81.1	33.592	23.973	B1500	14L32-	3



Technical data

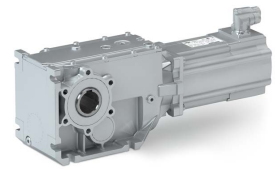
Selection tables
Inverter mains connection 400 V, Self-ventilated

Inverter operation							Geared motor		Number of stages
M_2	n_2	c	$M_{2, max}$	$n_{2, th}$	J	i			
Nm	rpm		Nm	rpm	kgcm ²				
400	132	4.1	1789	98.5	39.013	24.456	B2700	14L32-	3
413	128	0.8	450	98.1	24.078	25.294	B450	14L32-	3
414	127	1.1	600	71.2	25.577	25.347	B600	14L32-	3
414	127	3.6	1855	104	45.570	25.365	B4300	14L32-	3
417	126	1.5	820	126	24.953	25.550	B820	14L32-	3
426	124	1.1	600	58.3	26.282	26.061	B600	14L32-	3
430	123	1.5	820	67.1	26.477	26.324	B820	14L32-	3
431	122	2.7	1500	72.1	33.493	26.353	B1500	14L32-	3
438	120	3.6	1961	98.8	35.588	26.814	B2700	14L32-	3
477	110	2.4	1500	102	27.694	29.206	B1500	14L32-	3
481	110	3.6	2154	89.9	35.399	29.447	B2700	14L32-	3
486	108	1.0	600	108	24.120	29.744	B600	14L32-	3
486	108	1.3	820	108	24.309	29.745	B820	14L32-	3
508	104	3.1	2001	89.8	39.289	31.097	B4300	14L32-	3
528	99.9	1.2	820	57.8	25.643	32.291	B820	14L32-	3
530	99.4	0.9	600	53.3	24.999	32.439	B600	14L32-	3
532	99.1	2.2	1500	98.6	26.663	32.547	B1500	14L32-	3
537	98.1	3.1	2115	85.0	32.648	32.873	B2700	14L32-	3
584	90.2	0.8	600	38.2	25.517	35.740	B600	14L32-	3
585	90.1	2.0	1500	88.3	26.610	35.778	B1500	14L32-	3
590	89.3	1.1	820	49.1	25.620	36.102	B820	14L32-	3
590	89.3	3.1	2323	77.4	32.522	36.102	B2700	14L32-	3
597	88.3	2.0	1500	55.5	30.290	36.526	B1500	14L32-	3
630	83.7	2.4	1938	83.7	32.771	38.546	B4300	14L32-	3
668	78.9	2.0	1500	56.7	28.703	40.895	B1500	14L32-	3
675	78.0	1.1	820	49.2	25.039	41.325	B820	14L32-	3
685	76.9	0.8	600	61.4	24.076	41.940	B600	14L32-	3
699	75.4	3.4	2700	49.5	37.539	42.772	B2700	14L32-	3
699	75.4	5.0	3127	53.8	40.331	42.760	B4300	14L32-	3
734	71.7	1.8	1500	48.7	28.669	44.955	B1500	14L32-	3
739	71.3	1.0	820	45.0	24.881	45.207	B820	14L32-	3
747	70.5	0.7	600	30.5	24.962	45.739	B600	14L32-	3
761	69.3	1.7	1500	69.3	25.538	46.568	B1500	14L32-	3
764	69.0	5.0	3418	49.1	40.155	46.737	B4300	14L32-	3
767	68.7	3.1	2700	44.1	37.465	46.973	B2700	14L32-	3
799	65.9	2.7	2460	65.9	28.868	48.912	B2700	14L32-	3
817	64.5	0.7	600	26.9	24.817	50.036	B600	14L32-	3
826	63.8	0.9	820	36.0	24.870	50.543	B820	14L32-	3
848	62.1	1.6	1500	62.1	24.885	51.920	B1500	14L32-	3
870	60.6	4.4	3895	45.9	36.983	53.258	B4300	14L32-	3
884	59.6	2.3	2327	59.6	24.513	54.082	B2700	14L32-	3
906	58.2	0.6	600	29.2	24.278	55.447	B600	14L32-	3
932	56.5	1.4	1500	56.5	24.864	57.074	B1500	14L32-	3
942	55.9	0.8	820	32.2	24.519	57.662	B820	14L32-	3
954	55.2	1.4	1500	39.9	26.357	58.422	B1500	14L32-	3
959	55.0	4.0	4291	46.2	34.092	58.671	B4300	14L32-	3
970	54.3	2.3	2556	54.3	24.513	59.393	B2700	14L32-	3
1043	50.5	0.5	600	19.2	24.479	63.822	B600	14L32-	3
1048	50.3	3.6	4300	41.4	33.998	64.127	B4300	14L32-	3
1049	50.2	1.3	1500	34.6	26.340	64.221	B1500	14L32-	3
1053	50.0	0.7	820	25.8	24.512	64.468	B820	14L32-	3
1053	50.0	2.3	2700	37.1	32.570	64.452	B2700	14L32-	3

Technical data

Selection tables

Inverter mains connection 400 V, Self-ventilated



Inverter operation							Geared motor		Number of stages
M_2	n_2	c	$M_{2, \max}$	$n_{2, \text{th}}$	J	i			
Nm	rpm		Nm	rpm	kgcm ²				
1154	45.7	0.6	820	24.6	24.291	70.636	B820	14L32-	3
1169	45.1	1.1	1500	33.5	25.718	71.566	B1500	14L32-	3
1175	44.8	3.2	4300	39.3	31.653	71.930	B4300	14L32-	3
1176	44.8	2.0	2700	35.6	30.666	71.951	B2700	14L32-	3
1256	42.0	1.9	2650	42.0	26.009	76.862	B2700	14L32-	3
1284	41.0	3.0	4300	35.3	31.591	78.619	B4300	14L32-	3
1290	40.8	0.6	820	19.7	24.287	78.973	B820	14L32-	3
1388	38.0	1.6	2441	38.0	25.323	84.940	B2700	14L32-	3
1522	34.6	0.9	1500	25.6	25.012	93.150	B1500	14L32-	3
1524	34.6	1.6	2681	34.6	25.304	93.283	B2700	14L32-	3
1592	33.1	2.4	4300	33.1	28.394	97.453	B4300	14L32-	3
1593	33.1	1.5	2700	27.7	27.857	97.481	B2700	14L32-	3
1673	31.5	0.8	1500	21.2	25.005	102.396	B1500	14L32-	3
1740	30.3	2.2	4300	29.9	28.360	106.517	B4300	14L32-	3
1749	30.1	1.4	2700	24.1	27.842	107.056	B2700	14L32-	3
1865	28.2	0.8	1500	21.9	24.513	114.166	B1500	14L32-	3
1933	27.3	2.2	4300	27.3	24.513	118.336	B4300	14L32-	3
1934	27.2	1.4	2700	25.5	24.513	118.370	B2700	14L32-	3
2050	25.7	0.7	1500	18.2	24.513	125.498	B1500	14L32-	3
2113	24.9	2.0	4300	24.9	24.513	129.342	B4300	14L32-	3
2124	24.8	1.2	2700	22.2	24.513	129.996	B2700	14L32-	3
2502	21.1	1.7	4300	21.1	25.817	153.141	B4300	14L32-	3
2503	21.1	1.1	2700	21.1	25.599	153.185	B2700	14L32-	3
2735	19.3	1.5	4300	19.3	25.803	167.383	B4300	14L32-	3
2748	19.2	1.0	2700	18.1	25.593	168.230	B2700	14L32-	3
3036	17.4	1.4	4300	17.4	25.173	185.857	B4300	14L32-	3
3037	17.3	0.9	2700	17.3	25.026	185.911	B2700	14L32-	3
3319	15.9	1.3	4300	15.9	25.164	203.143	B4300	14L32-	3
3336	15.8	0.8	2700	15.8	25.022	204.170	B2700	14L32-	3



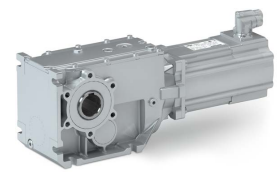
6 kW

Inverter operation							Geared motor		Number of stages
M_2	n_2	c	$M_{2, max}$	$n_{2, th}$	J	i			
Nm	rpm		Nm	rpm	kgcm ²				
209	260	5.1	672	260	230.776	5.488	B4300	19J14-	3
261	208	3.2	837	208	126.952	6.866	B1500	19J14-	3
263	206	5.1	848	206	154.215	6.918	B2700	19J14-	3
265	204	4.5	855	204	186.324	6.976	B4300	19J14-	3
334	162	4.5	1077	162	138.939	8.793	B2700	19J14-	3
348	156	3.8	1122	156	154.653	9.156	B4300	19J14-	3
362	150	2.8	1006	150	118.064	9.516	B1500	19J14-	3
385	141	5.1	1242	141	202.972	10.137	B4300	19J14-	3
414	131	3.2	1330	131	123.614	10.902	B1500	19J14-	3
421	129	5.1	1358	129	199.840	11.080	B4300	19J14-	3
445	122	5.0	1435	122	147.531	11.713	B2700	19J14-	3
455	119	3.2	1461	119	123.132	11.985	B1500	19J14-	3
489	111	4.6	1576	111	146.539	12.863	B2700	19J14-	3
490	111	4.5	1579	111	169.116	12.885	B4300	19J14-	3
498	109	2.2	1118	109	112.661	13.118	B1500	19J14-	3
535	101	4.5	1726	101	167.177	14.084	B4300	19J14-	3
566	95.7	4.2	1824	95.7	134.802	14.888	B2700	19J14-	3
574	94.3	2.6	1500	94.3	116.326	15.111	B1500	19J14-	3
621	87.2	3.9	2003	87.2	134.188	16.351	B2700	19J14-	3
631	85.8	2.4	1500	85.8	116.075	16.611	B1500	19J14-	3
643	84.3	3.8	2072	84.3	144.664	16.913	B4300	19J14-	3
702	77.1	3.8	2265	77.1	143.539	18.486	B4300	19J14-	3
707	76.6	2.1	1500	76.6	113.197	18.598	B1500	19J14-	3
742	72.9	3.5	2395	72.9	124.748	19.542	B2700	19J14-	3
777	69.7	1.9	1500	69.7	113.031	20.444	B1500	19J14-	3
800	67.6	3.5	2581	67.6	135.359	21.065	B4300	19J14-	3
846	64.0	3.2	2684	64.0	120.887	22.269	B2700	19J14-	3
870	62.2	1.7	1500	62.2	111.615	22.898	B1500	19J14-	3
882	61.4	3.1	2702	61.4	127.767	23.206	B4300	19J14-	3
911	59.4	1.7	1500	59.4	115.192	23.973	B1500	19J14-	3
929	58.3	2.9	2700	58.3	120.613	24.456	B2700	19J14-	3
964	56.2	3.1	2954	56.2	127.170	25.365	B4300	19J14-	3
1001	54.1	1.5	1500	54.1	115.093	26.353	B1500	19J14-	3
1019	53.1	2.7	2700	53.1	117.188	26.814	B2700	19J14-	3
1064	50.9	4.0	3432	50.9	139.200	28.013	B4300	19J14-	3
1119	48.4	2.4	2700	48.4	116.999	29.447	B2700	19J14-	3
1182	45.8	2.6	3110	45.8	120.889	31.097	B4300	19J14-	3
1249	43.3	2.2	2700	43.3	114.248	32.873	B2700	19J14-	3
1353	40.0	3.2	4300	40.0	129.646	35.607	B4300	19J14-	3
1372	39.5	2.0	2700	39.5	114.122	36.102	B2700	19J14-	3
1388	39.0	1.1	1500	39.0	111.890	36.526	B1500	19J14-	3
1554	34.8	1.0	1500	34.8	110.303	40.895	B1500	19J14-	3
1625	33.3	1.7	2700	33.3	119.139	42.772	B2700	19J14-	3
1625	33.3	2.7	4300	33.3	121.931	42.760	B4300	19J14-	3
1708	31.7	0.9	1500	31.2	110.269	44.955	B1500	19J14-	3
1776	30.5	2.4	4300	30.5	121.755	46.737	B4300	19J14-	3
1785	30.3	1.5	2700	30.3	119.065	46.973	B2700	19J14-	3
2024	26.8	2.1	4300	26.8	118.583	53.258	B4300	19J14-	3
2229	24.3	1.9	4300	24.3	115.692	58.671	B4300	19J14-	3
2436	22.2	1.8	4300	22.2	115.598	64.127	B4300	19J14-	3
2449	22.1	1.1	2700	22.1	114.170	64.452	B2700	19J14-	3

Technical data

Selection tables

Inverter mains connection 400 V, Self-ventilated



Inverter operation							Geared motor		Number of stages
M_2	n_2	c	$M_{2, max}$	$n_{2, th}$	J	i			
Nm	rpm		Nm	rpm	kgcm ²				
2733	19.8	1.6	4300	19.8	113.253	71.930	B4300	19J14-	3
2734	19.8	1.0	2700	19.8	112.266	71.951	B2700	19J14-	3
2987	18.1	1.4	4300	18.1	113.191	78.619	B4300	19J14-	3

6.6 kW

Inverter operation							Geared motor		Number of stages
M_2	n_2	c	$M_{2, max}$	$n_{2, th}$	J	i			
Nm	rpm		Nm	rpm	kgcm ²				
137	437	4.9	561	317	86.952	6.866	B1500	19F30-	3
183	328	5.8	748	241	114.653	9.156	B4300	19F30-	3
190	315	4.2	777	232	78.064	9.516	B1500	19F30-	3
217	275	4.9	891	200	83.614	10.902	B1500	19F30-	3
239	250	4.9	979	181	83.132	11.985	B1500	19F30-	3
262	229	3.4	1072	169	72.661	13.118	B1500	19F30-	3
301	199	4.0	1234	146	76.326	15.111	B1500	19F30-	3
326	184	5.9	1336	128	94.188	16.351	B2700	19F30-	3
331	181	3.6	1357	133	76.075	16.611	B1500	19F30-	3
337	177	5.8	1382	131	104.664	16.913	B4300	19F30-	3
369	162	5.8	1510	120	103.539	18.486	B4300	19F30-	3
371	161	3.2	1500	119	73.197	18.598	B1500	19F30-	3
390	154	5.3	1596	113	84.748	19.542	B2700	19F30-	3
408	147	2.9	1500	108	73.031	20.444	B1500	19F30-	3
420	142	5.3	1721	105	95.359	21.065	B4300	19F30-	3
444	135	4.8	1819	99.3	80.887	22.269	B2700	19F30-	3
457	131	2.6	1500	96.5	71.615	22.898	B1500	19F30-	3
463	129	4.6	1896	95.3	87.767	23.206	B4300	19F30-	3
478	125	2.5	1500	77.6	75.192	23.973	B1500	19F30-	3
488	123	4.4	1998	90.4	80.613	24.456	B2700	19F30-	3
506	118	4.6	2072	87.2	87.170	25.365	B4300	19F30-	3
526	114	2.3	1500	68.9	75.093	26.353	B1500	19F30-	3
535	112	4.0	2190	82.4	77.188	26.814	B2700	19F30-	3
587	102	3.7	2405	75.1	76.999	29.447	B2700	19F30-	3
620	96.5	4.0	2540	71.1	80.889	31.097	B4300	19F30-	3
656	91.3	3.3	2685	67.2	74.248	32.873	B2700	19F30-	3
710	84.3	4.8	2909	56.4	89.646	35.607	B4300	19F30-	3
720	83.1	3.0	2700	61.2	74.122	36.102	B2700	19F30-	3
729	82.1	1.6	1500	50.0	71.890	36.526	B1500	19F30-	3
816	73.4	1.7	1500	51.0	70.303	40.895	B1500	19F30-	3
853	70.2	4.6	3493	51.7	81.931	42.760	B4300	19F30-	3
853	70.1	2.9	2700	47.6	79.139	42.772	B2700	19F30-	3
897	66.7	1.5	1500	43.9	70.269	44.955	B1500	19F30-	3
932	64.2	4.2	3818	47.3	81.755	46.737	B4300	19F30-	3
937	63.9	2.6	2700	42.4	79.065	46.973	B2700	19F30-	3
1062	56.3	3.7	4300	41.5	78.583	53.258	B4300	19F30-	3
1170	51.1	3.3	4300	37.7	75.692	58.671	B4300	19F30-	3
1279	46.8	3.0	4300	34.5	75.598	64.127	B4300	19F30-	3
1286	46.5	1.9	2700	34.3	74.170	64.452	B2700	19F30-	3
1435	41.7	1.7	2700	30.7	72.266	71.951	B2700	19F30-	3
1435	41.7	2.7	4300	30.7	73.253	71.930	B4300	19F30-	3
1568	38.2	2.5	4300	28.1	73.191	78.619	B4300	19F30-	3



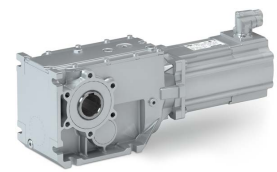
7.1 kW

Inverter operation							Geared motor		Number of stages
M_2	n_2	c	$M_{2, max}$	$n_{2, th}$	J	i			
Nm	rpm		Nm	rpm	kgcm ²				
99.0	650	2.4	312	442	46.222	4.958	B820	14P32-	3
100	645	2.2	280	508	39.060	5.002	B450	14P32-	3
101	637	2.9	376	449	41.431	5.067	B600	14P32-	3
136	474	2.2	391	368	41.411	6.800	B820	14P32-	3
137	470	1.7	308	399	37.182	6.860	B450	14P32-	3
137	470	3.8	670	300	56.652	6.866	B1500	14P32-	3
139	464	2.2	398	360	38.863	6.949	B600	14P32-	3
152	423	2.2	424	279	44.172	7.618	B820	14P32-	3
152	423	2.4	462	285	40.490	7.617	B600	14P32-	3
170	379	2.1	459	248	43.771	8.517	B820	14P32-	3
183	352	3.6	855	235	84.353	9.156	B4300	14P32-	3
186	346	1.5	368	233	37.906	9.315	B450	14P32-	3
190	339	3.4	822	243	47.764	9.516	B1500	14P32-	3
190	339	2.0	496	311	38.461	9.520	B820	14P32-	3
206	312	1.4	384	203	37.760	10.328	B450	14P32-	3
208	309	2.0	528	233	40.320	10.447	B820	14P32-	3
214	300	2.0	541	193	39.818	10.741	B600	14P32-	3
217	296	3.8	1064	189	53.314	10.902	B1500	14P32-	3
233	276	1.9	569	203	40.107	11.680	B820	14P32-	3
239	269	3.8	1170	172	52.832	11.985	B1500	14P32-	3
242	266	1.7	544	254	37.220	12.143	B820	14P32-	3
255	252	1.2	404	179	36.568	12.775	B450	14P32-	3
262	246	2.7	923	199	42.361	13.118	B1500	14P32-	3
267	241	1.6	553	188	37.206	13.369	B600	14P32-	3
267	241	1.8	619	201	38.401	13.370	B820	14P32-	3
283	228	1.2	422	157	36.491	14.165	B450	14P32-	3
292	221	1.7	653	187	37.904	14.626	B820	14P32-	3
294	219	1.6	600	146	38.006	14.730	B600	14P32-	3
301	213	3.4	1305	153	46.026	15.111	B1500	14P32-	3
326	197	1.0	434	148	35.927	16.349	B450	14P32-	3
326	197	1.7	708	164	37.796	16.352	B820	14P32-	3
331	194	3.4	1435	139	45.775	16.611	B1500	14P32-	3
337	191	3.6	1580	127	74.364	16.913	B4300	14P32-	3
357	180	1.0	446	137	35.746	17.885	B450	14P32-	3
369	175	3.6	1727	116	73.239	18.486	B4300	14P32-	3
371	173	2.9	1396	136	42.897	18.598	B1500	14P32-	3
372	173	1.6	747	156	36.878	18.655	B820	14P32-	3
376	171	1.2	600	116	36.988	18.851	B600	14P32-	3
390	165	3.6	1826	110	54.448	19.542	B2700	14P32-	3
396	163	0.9	450	112	35.706	19.831	B450	14P32-	3
408	158	2.9	1500	124	42.731	20.444	B1500	14P32-	3
411	156	1.1	600	107	36.723	20.622	B600	14P32-	3
416	155	1.5	820	139	36.811	20.857	B820	14P32-	3
420	153	3.3	1802	110	65.059	21.065	B4300	14P32-	3
444	145	3.3	1905	104	50.587	22.269	B2700	14P32-	3
455	141	0.8	450	98.7	35.402	22.813	B450	14P32-	3
456	141	1.0	600	123	35.888	22.852	B600	14P32-	3
456	141	1.4	820	141	36.297	22.853	B820	14P32-	3
457	141	2.5	1500	112	41.315	22.898	B1500	14P32-	3
463	139	2.9	1740	109	57.467	23.206	B4300	14P32-	3
478	135	2.4	1500	77.2	44.892	23.973	B1500	14P32-	3

Technical data

Selection tables

Inverter mains connection 400 V, Self-ventilated



Inverter operation							Geared motor		Number of stages
M_2	n_2	c	$M_{2, \max}$	$n_{2, th}$	J	i			
Nm	rpm		Nm	rpm	kgcm ²				
488	132	3.3	2092	94.3	50.313	24.456	B2700	14P32-	3
505	128	0.7	450	80.3	35.378	25.294	B450	14P32-	3
506	127	0.9	600	62.2	36.877	25.347	B600	14P32-	3
506	127	2.9	1901	99.9	56.870	25.365	B4300	14P32-	3
510	126	1.3	820	120	36.253	25.550	B820	14P32-	3
520	124	0.9	600	50.1	37.582	26.061	B600	14P32-	3
525	123	1.2	820	60.6	37.777	26.324	B820	14P32-	3
526	122	2.2	1500	68.5	44.793	26.353	B1500	14P32-	3
535	120	2.9	2010	94.5	46.888	26.814	B2700	14P32-	3
583	110	2.0	1500	98.5	38.994	29.206	B1500	14P32-	3
587	110	2.9	2207	86.1	46.699	29.447	B2700	14P32-	3
593	108	0.8	600	88.1	35.420	29.744	B600	14P32-	3
593	108	1.1	820	108	35.609	29.745	B820	14P32-	3
620	104	2.5	2001	86.2	50.589	31.097	B4300	14P32-	3
644	99.9	1.0	820	52.4	36.943	32.291	B820	14P32-	3
647	99.4	0.7	600	43.7	36.299	32.439	B600	14P32-	3
649	99.1	1.8	1500	91.7	37.963	32.547	B1500	14P32-	3
656	98.1	2.5	2115	81.5	43.948	32.873	B2700	14P32-	3
713	90.2	0.7	600	31.3	36.817	35.740	B600	14P32-	3
714	90.1	1.6	1500	79.4	37.910	35.778	B1500	14P32-	3
720	89.3	0.9	820	41.9	36.920	36.102	B820	14P32-	3
720	89.3	2.5	2323	74.2	43.822	36.102	B2700	14P32-	3
729	88.3	1.6	1500	49.3	41.590	36.526	B1500	14P32-	3
769	83.7	2.0	1938	80.7	44.071	38.546	B4300	14P32-	3
816	78.9	1.6	1500	50.3	40.003	40.895	B1500	14P32-	3
824	78.0	0.9	820	41.8	36.339	41.325	B820	14P32-	3
837	76.9	0.6	600	50.3	35.376	41.940	B600	14P32-	3
853	75.4	2.8	2700	47.3	48.839	42.772	B2700	14P32-	3
853	75.4	4.1	3995	51.6	51.631	42.760	B4300	14P32-	3
897	71.7	1.5	1500	43.3	39.969	44.955	B1500	14P32-	3
902	71.3	0.8	820	36.8	36.181	45.207	B820	14P32-	3
912	70.5	0.6	600	24.9	36.262	45.739	B600	14P32-	3
929	69.3	1.4	1500	69.3	36.838	46.568	B1500	14P32-	3
932	69.0	4.1	4300	47.1	51.455	46.737	B4300	14P32-	3
937	68.7	2.5	2700	42.1	48.765	46.973	B2700	14P32-	3
976	65.9	2.2	2460	65.4	40.168	48.912	B2700	14P32-	3
998	64.5	0.5	600	22.0	36.117	50.036	B600	14P32-	3
1008	63.8	0.7	820	29.5	36.170	50.543	B820	14P32-	3
1036	62.1	1.3	1500	62.1	36.185	51.920	B1500	14P32-	3
1062	60.6	3.6	4300	44.0	48.283	53.258	B4300	14P32-	3
1079	59.6	1.9	2327	59.6	35.813	54.082	B2700	14P32-	3
1138	56.5	1.2	1500	56.5	36.164	57.074	B1500	14P32-	3
1150	55.9	0.6	820	26.4	35.819	57.662	B820	14P32-	3
1165	55.2	1.1	1500	36.1	37.657	58.422	B1500	14P32-	3
1170	55.0	3.2	4300	44.2	45.392	58.671	B4300	14P32-	3
1185	54.3	1.9	2556	54.3	35.813	59.393	B2700	14P32-	3
1279	50.3	3.0	4300	39.7	45.298	64.127	B4300	14P32-	3
1281	50.2	1.0	1500	31.5	37.640	64.221	B1500	14P32-	3
1286	50.0	0.6	820	21.1	35.812	64.468	B820	14P32-	3
1286	50.0	1.9	2700	34.5	43.870	64.452	B2700	14P32-	3
1409	45.7	0.5	820	20.1	35.591	70.636	B820	14P32-	3
1428	45.1	0.9	1500	29.5	37.018	71.566	B1500	14P32-	3



Technical data

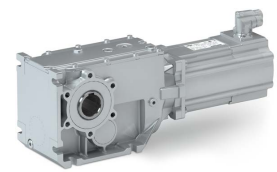
Selection tables
Inverter mains connection 400 V, Self-ventilated

Inverter operation							Geared motor		Number of stages
M_2	n_2	c	$M_{2, \max}$	$n_{2, \text{th}}$	J	i			
Nm	rpm		Nm	rpm	kgcm ²				
1435	44.8	1.7	2700	32.2	41.966	71.951	B2700	14P32-	3
1435	44.8	2.6	4300	37.7	42.953	71.930	B4300	14P32-	3
1533	42.0	1.5	2650	42.0	37.309	76.862	B2700	14P32-	3
1568	41.0	2.4	4300	33.8	42.891	78.619	B4300	14P32-	3
1694	38.0	1.3	2441	38.0	36.623	84.940	B2700	14P32-	3
1858	34.6	0.7	1500	21.0	36.312	93.150	B1500	14P32-	3
1861	34.6	1.3	2681	34.6	36.604	93.283	B2700	14P32-	3
1944	33.1	1.2	2700	25.2	39.157	97.481	B2700	14P32-	3
1944	33.1	2.0	4300	31.9	39.694	97.453	B4300	14P32-	3
2043	31.5	0.7	1500	17.3	36.305	102.396	B1500	14P32-	3
2125	30.3	1.8	4300	27.8	39.660	106.517	B4300	14P32-	3
2135	30.1	1.1	2700	22.1	39.142	107.056	B2700	14P32-	3
2277	28.2	0.6	1500	18.0	35.813	114.166	B1500	14P32-	3
2360	27.3	1.8	4300	27.3	35.813	118.336	B4300	14P32-	3
2361	27.2	1.1	2700	23.2	35.813	118.370	B2700	14P32-	3
2503	25.7	0.6	1500	14.9	35.813	125.498	B1500	14P32-	3
2580	24.9	1.6	4300	24.9	35.813	129.342	B4300	14P32-	3
2593	24.8	1.0	2700	20.2	35.813	129.996	B2700	14P32-	3
3055	21.1	1.4	4300	21.1	37.117	153.141	B4300	14P32-	3
3056	21.1	0.9	2700	17.9	36.899	153.185	B2700	14P32-	3
3339	19.3	1.3	4300	19.3	37.103	167.383	B4300	14P32-	3
3356	19.2	0.8	2700	14.8	36.893	168.230	B2700	14P32-	3
3707	17.4	1.1	4300	17.4	36.473	185.857	B4300	14P32-	3
3708	17.3	0.7	2700	14.1	36.326	185.911	B2700	14P32-	3
4052	15.9	1.0	4300	15.9	36.464	203.143	B4300	14P32-	3
4073	15.8	0.7	2700	15.8	36.322	204.170	B2700	14P32-	3

Technical data

Selection tables

Inverter mains connection 400 V, Self-ventilated



7.2 kW

Inverter operation						i	Geared motor		Number of stages
M ₂	n ₂	c	M _{2, max}	n _{2, th}	J				
Nm	rpm		Nm	rpm	kgcm ²				
266	246	4.0	990	246	285.776	5.488	B4300	19P14-	3
333	197	2.5	837	197	181.952	6.866	B1500	19P14-	3
335	195	4.0	1249	195	209.215	6.918	B2700	19P14-	3
338	194	3.6	1201	194	241.324	6.976	B4300	19P14-	3
426	154	3.6	1514	154	193.939	8.793	B2700	19P14-	3
444	147	3.0	1329	147	209.653	9.156	B4300	19P14-	3
461	142	2.2	1006	142	173.064	9.516	B1500	19P14-	3
491	133	4.0	1829	133	257.972	10.137	B4300	19P14-	3
528	124	2.5	1330	124	178.614	10.902	B1500	19P14-	3
537	122	4.0	2000	122	254.840	11.080	B4300	19P14-	3
567	115	3.9	2114	115	202.531	11.713	B2700	19P14-	3
581	113	2.5	1461	113	178.132	11.985	B1500	19P14-	3
623	105	3.6	2262	105	201.539	12.863	B2700	19P14-	3
624	105	3.6	2219	105	224.116	12.885	B4300	19P14-	3
635	103	1.8	1118	103	167.661	13.118	B1500	19P14-	3
682	95.9	3.6	2425	95.9	222.177	14.084	B4300	19P14-	3
721	90.7	3.3	2380	90.7	189.802	14.888	B2700	19P14-	3
732	89.3	2.1	1500	89.3	171.326	15.111	B1500	19P14-	3
792	82.6	3.1	2429	82.6	189.188	16.351	B2700	19P14-	3
805	81.3	1.9	1500	81.3	171.075	16.611	B1500	19P14-	3
819	79.8	3.0	2455	79.8	199.664	16.913	B4300	19P14-	3
896	73.0	3.0	2683	73.0	198.539	18.486	B4300	19P14-	3
901	72.6	1.7	1500	72.6	168.197	18.598	B1500	19P14-	3
947	69.1	2.7	2579	69.1	179.748	19.542	B2700	19P14-	3
990	66.0	1.5	1500	66.0	168.031	20.444	B1500	19P14-	3
1020	64.1	2.7	2799	64.1	190.359	21.065	B4300	19P14-	3
1079	60.6	2.5	2684	60.6	175.887	22.269	B2700	19P14-	3
1109	59.0	1.4	1500	59.0	166.615	22.898	B1500	19P14-	3
1124	58.2	2.4	2702	58.2	182.767	23.206	B4300	19P14-	3
1161	56.3	1.3	1500	56.3	170.192	23.973	B1500	19P14-	3
1185	55.2	2.3	2700	55.2	175.613	24.456	B2700	19P14-	3
1229	53.2	2.4	2954	53.2	182.170	25.365	B4300	19P14-	3
1277	51.2	1.2	1500	49.4	170.093	26.353	B1500	19P14-	3
1299	50.3	2.1	2700	50.3	172.188	26.814	B2700	19P14-	3
1357	48.2	3.2	4300	48.2	194.200	28.013	B4300	19P14-	3
1427	45.8	1.9	2700	45.8	171.999	29.447	B2700	19P14-	3
1506	43.4	2.1	3110	43.4	175.889	31.097	B4300	19P14-	3
1592	41.1	1.7	2700	41.1	169.248	32.873	B2700	19P14-	3
1725	37.9	2.5	4300	37.9	184.646	35.607	B4300	19P14-	3
1749	37.4	1.5	2700	37.4	169.122	36.102	B2700	19P14-	3
1769	37.0	0.9	1500	33.0	166.890	36.526	B1500	19P14-	3
1981	33.0	0.8	1500	29.6	165.303	40.895	B1500	19P14-	3
2071	31.6	2.1	4300	31.6	176.931	42.760	B4300	19P14-	3
2072	31.6	1.3	2700	31.6	174.139	42.772	B2700	19P14-	3
2178	30.0	0.7	1500	24.5	165.269	44.955	B1500	19P14-	3
2264	28.9	1.9	4300	28.9	176.755	46.737	B4300	19P14-	3
2276	28.7	1.2	2700	28.7	174.065	46.973	B2700	19P14-	3
2580	25.3	1.7	4300	25.3	173.583	53.258	B4300	19P14-	3
2842	23.0	1.5	4300	23.0	170.692	58.671	B4300	19P14-	3
3107	21.1	1.4	4300	21.1	170.598	64.127	B4300	19P14-	3
3122	20.9	0.9	2700	20.9	169.170	64.452	B2700	19P14-	3



Technical data

Selection tables

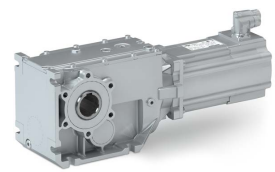
Inverter mains connection 400 V, Self-ventilated

Inverter operation						Geared motor			Number of stages
M_2	n_2	c	$M_{2, \max}$	$n_{2, \text{th}}$	J	i			
Nm	rpm		Nm	rpm	kgcm²				
3484	18.8	1.2	4300	18.8	168.253	71.930	B4300	19P14-	3
3486	18.8	0.8	2700	18.8	167.266	71.951	B2700	19P14-	3
3809	17.2	1.1	4300	17.2	168.191	78.619	B4300	19P14-	3

Technical data

Selection tables

Inverter mains connection 400 V, Self-ventilated



9.1 kW

Inverter operation						i	Geared motor		Number of stages
M ₂	n ₂	c	M _{2, max}	n _{2, th}	J				
Nm	rpm		Nm	rpm	kgcm ²				
151	547	5.5	672	340	230.776	5.488	B4300	19J30-	3
189	437	3.5	837	295	126.952	6.866	B1500	19J30-	3
191	434	5.5	848	270	154.215	6.918	B2700	19J30-	3
192	430	5.0	855	290	186.324	6.976	B4300	19J30-	3
242	341	5.0	1077	230	138.939	8.793	B2700	19J30-	3
252	328	4.2	1122	241	154.653	9.156	B4300	19J30-	3
262	315	3.1	1006	232	118.064	9.516	B1500	19J30-	3
279	296	5.5	1242	184	202.972	10.137	B4300	19J30-	3
300	275	3.5	1330	186	123.614	10.902	B1500	19J30-	3
305	271	5.5	1358	169	199.840	11.080	B4300	19J30-	3
323	256	5.4	1435	159	147.531	11.713	B2700	19J30-	3
330	250	3.5	1461	169	123.132	11.985	B1500	19J30-	3
354	233	5.1	1576	142	146.539	12.863	B2700	19J30-	3
355	233	5.0	1579	157	169.116	12.885	B4300	19J30-	3
361	229	2.5	1118	169	112.661	13.118	B1500	19J30-	3
388	213	5.0	1726	144	167.177	14.084	B4300	19J30-	3
410	202	4.6	1824	134	134.802	14.888	B2700	19J30-	3
416	199	2.9	1500	146	116.326	15.111	B1500	19J30-	3
450	184	4.3	2003	120	134.188	16.351	B2700	19J30-	3
458	181	2.6	1500	131	116.075	16.611	B1500	19J30-	3
466	177	4.2	2072	131	144.664	16.913	B4300	19J30-	3
509	162	4.2	2265	120	143.539	18.486	B4300	19J30-	3
512	161	2.3	1500	119	113.197	18.598	B1500	19J30-	3
538	154	3.8	2395	111	124.748	19.542	B2700	19J30-	3
563	147	2.1	1500	108	113.031	20.444	B1500	19J30-	3
580	142	3.8	2581	105	135.359	21.065	B4300	19J30-	3
613	135	3.5	2684	99.3	120.887	22.269	B2700	19J30-	3
631	131	1.9	1500	96.5	111.615	22.898	B1500	19J30-	3
639	129	3.4	2702	95.3	127.767	23.206	B4300	19J30-	3
660	125	1.8	1500	69.2	115.192	23.973	B1500	19J30-	3
674	123	3.2	2700	90.4	120.613	24.456	B2700	19J30-	3
699	118	3.4	2954	87.2	127.170	25.365	B4300	19J30-	3
726	114	1.6	1500	59.5	115.093	26.353	B1500	19J30-	3
739	112	2.9	2700	82.4	117.188	26.814	B2700	19J30-	3
772	107	4.4	3432	63.4	139.200	28.013	B4300	19J30-	3
811	102	2.6	2700	75.1	116.999	29.447	B2700	19J30-	3
857	96.5	2.9	3110	71.1	120.889	31.097	B4300	19J30-	3
906	91.3	2.4	2700	67.2	114.248	32.873	B2700	19J30-	3
981	84.3	3.5	4300	52.4	129.646	35.607	B4300	19J30-	3
994	83.1	2.2	2700	61.2	114.122	36.102	B2700	19J30-	3
1006	82.1	1.2	1500	42.1	111.890	36.526	B1500	19J30-	3
1126	73.4	1.2	1500	42.7	110.303	40.895	B1500	19J30-	3
1178	70.2	3.3	4300	49.1	121.931	42.760	B4300	19J30-	3
1178	70.1	2.1	2700	44.0	119.139	42.772	B2700	19J30-	3
1238	66.7	1.1	1500	37.1	110.269	44.955	B1500	19J30-	3
1287	64.2	3.0	4300	44.1	121.755	46.737	B4300	19J30-	3
1294	63.9	1.9	2700	38.6	119.065	46.973	B2700	19J30-	3
1467	56.3	2.6	4300	41.1	118.583	53.258	B4300	19J30-	3
1616	51.1	2.4	4300	37.7	115.692	58.671	B4300	19J30-	3
1766	46.8	2.2	4300	34.5	115.598	64.127	B4300	19J30-	3
1775	46.5	1.4	2700	29.0	114.170	64.452	B2700	19J30-	3



Technical data

Selection tables

Inverter mains connection 400 V, Self-ventilated

Inverter operation						Geared motor			Number of stages
M_2	n_2	c	$M_{2, \max}$	$n_{2, \text{th}}$	J	i			
Nm	rpm		Nm	rpm	kgcm²				
1981	41.7	2.0	4300	30.7	113.253	71.930	B4300	19J30-	3
1982	41.7	1.2	2700	27.7	112.266	71.951	B2700	19J30-	3
2166	38.2	1.8	4300	28.1	113.191	78.619	B4300	19J30-	3

Technical data

Selection tables

Inverter mains connection 400 V, Self-ventilated



10 kW

Inverter operation						i	Geared motor		Number of stages
M ₂	n ₂	c	M _{2, max}	n _{2, th}	J				
Nm	rpm		Nm	rpm	kgcm ²				
167	547	5.0	990	333	285.776	5.488	B4300	19P30-	3
209	437	3.2	837	288	181.952	6.866	B1500	19P30-	3
210	434	5.0	1249	264	209.215	6.918	B2700	19P30-	3
212	430	4.5	1201	284	241.324	6.976	B4300	19P30-	3
267	341	4.5	1514	225	193.939	8.793	B2700	19P30-	3
278	328	3.8	1329	237	209.653	9.156	B4300	19P30-	3
289	315	2.8	1006	232	173.064	9.516	B1500	19P30-	3
308	296	5.0	1829	180	257.972	10.137	B4300	19P30-	3
331	275	3.2	1330	181	178.614	10.902	B1500	19P30-	3
337	271	5.0	2000	165	254.840	11.080	B4300	19P30-	3
356	256	4.9	2114	156	202.531	11.713	B2700	19P30-	3
364	250	3.2	1461	165	178.132	11.985	B1500	19P30-	3
391	233	4.6	2262	139	201.539	12.863	B2700	19P30-	3
392	233	4.5	2219	154	224.116	12.885	B4300	19P30-	3
399	229	2.2	1118	169	167.661	13.118	B1500	19P30-	3
428	213	4.5	2425	141	222.177	14.084	B4300	19P30-	3
453	202	4.2	2380	131	189.802	14.888	B2700	19P30-	3
459	199	2.6	1500	144	171.326	15.111	B1500	19P30-	3
497	184	3.9	2429	117	189.188	16.351	B2700	19P30-	3
505	181	2.4	1500	128	171.075	16.611	B1500	19P30-	3
514	177	3.8	2455	128	199.664	16.913	B4300	19P30-	3
562	162	3.8	2683	117	198.539	18.486	B4300	19P30-	3
565	161	2.1	1500	119	168.197	18.598	B1500	19P30-	3
594	154	3.5	2579	109	179.748	19.542	B2700	19P30-	3
621	147	1.9	1500	108	168.031	20.444	B1500	19P30-	3
640	142	3.5	2799	105	190.359	21.065	B4300	19P30-	3
677	135	3.2	2684	99.3	175.887	22.269	B2700	19P30-	3
696	131	1.7	1500	96.5	166.615	22.898	B1500	19P30-	3
705	129	3.0	2702	95.3	182.767	23.206	B4300	19P30-	3
729	125	1.6	1500	65.2	170.192	23.973	B1500	19P30-	3
743	123	2.9	2700	90.4	175.613	24.456	B2700	19P30-	3
771	118	3.0	2954	87.2	182.170	25.365	B4300	19P30-	3
801	114	1.5	1500	56.1	170.093	26.353	B1500	19P30-	3
815	112	2.6	2700	82.4	172.188	26.814	B2700	19P30-	3
851	107	4.0	4300	62.0	194.200	28.013	B4300	19P30-	3
895	102	2.4	2700	75.1	171.999	29.447	B2700	19P30-	3
945	96.5	2.6	3110	71.1	175.889	31.097	B4300	19P30-	3
999	91.3	2.1	2700	67.2	169.248	32.873	B2700	19P30-	3
1082	84.3	3.2	4300	51.2	184.646	35.607	B4300	19P30-	3
1097	83.1	2.0	2700	61.2	169.122	36.102	B2700	19P30-	3
1110	82.1	1.1	1500	40.2	166.890	36.526	B1500	19P30-	3
1243	73.4	1.1	1500	40.7	165.303	40.895	B1500	19P30-	3
1300	70.2	3.0	4300	48.1	176.931	42.760	B4300	19P30-	3
1300	70.1	1.9	2700	42.3	174.139	42.772	B2700	19P30-	3
1366	66.7	1.0	1500	35.2	165.269	44.955	B1500	19P30-	3
1421	64.2	2.7	4300	43.1	176.755	46.737	B4300	19P30-	3
1428	63.9	1.7	2700	36.5	174.065	46.973	B2700	19P30-	3
1619	56.3	2.4	4300	40.2	173.583	53.258	B4300	19P30-	3
1783	51.1	2.2	4300	37.7	170.692	58.671	B4300	19P30-	3
1949	46.8	2.0	4300	34.5	170.598	64.127	B4300	19P30-	3
1959	46.5	1.2	2700	27.5	169.170	64.452	B2700	19P30-	3



Technical data

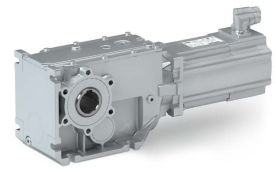
Selection tables
Inverter mains connection 400 V, Self-ventilated

Inverter operation						Geared motor			Number of stages
M_2	n_2	c	$M_{2, \max}$	$n_{2, \text{th}}$	J	i			
Nm	rpm		Nm	rpm	kgcm ²				
2186	41.7	1.8	4300	30.7	168.253	71.930	B4300	19P30-	3
2187	41.7	1.1	2700	26.6	167.266	71.951	B2700	19P30-	3
2390	38.2	1.6	4300	28.1	168.191	78.619	B4300	19P30-	3

Technical data

Selection tables

Inverter mains connection 400 V, Forced-ventilated



Inverter mains connection 400 V, Forced-ventilated

1.2 kW

Inverter operation						Geared motor			Number of stages
M_2	n_2	c	$M_{2, max}$	$n_{2, th}$	J	i			
Nm	rpm		Nm	rpm	kgcm ²				
24.0	463	5.6	60.0	463	6.972	3.565	B240	12D17-	2
33.0	338	4.4	82.0	338	5.744	4.889	B240	12D17-	2
42.0	264	3.6	105	264	5.151	6.257	B240	12D17-	2
46.0	241	5.4	115	241	6.482	6.860	B450	12D17-	3
46.0	240	3.8	116	240	5.674	6.883	B240	12D17-	2
52.0	211	3.5	131	211	5.513	7.817	B240	12D17-	2
62.0	177	5.8	157	177	7.206	9.315	B450	12D17-	3
63.0	175	3.0	159	175	5.054	9.440	B240	12D17-	2
63.0	173	5.3	160	173	7.761	9.520	B820	12D17-	3
69.0	160	5.4	174	160	7.060	10.328	B450	12D17-	3
71.0	154	2.8	180	154	4.968	10.720	B240	12D17-	2
80.0	137	2.5	203	137	4.729	12.081	B240	12D17-	2
81.0	136	4.5	204	136	6.520	12.143	B820	12D17-	3
85.0	129	4.6	215	129	5.868	12.775	B450	12D17-	3
89.0	123	5.6	225	123	6.506	13.369	B600	12D17-	3
89.0	123	5.6	225	123	7.701	13.370	B820	12D17-	3
91.0	120	2.3	217	120	4.677	13.719	B240	12D17-	2
94.0	117	4.3	238	117	5.791	14.165	B450	12D17-	3
97.0	113	5.3	246	113	7.204	14.626	B820	12D17-	3
98.0	112	5.9	248	112	7.306	14.730	B600	12D17-	3
100	110	2.2	223	110	4.586	15.008	B240	12D17-	2
109	101	3.9	275	101	5.227	16.349	B450	12D17-	3
109	101	5.3	275	101	7.096	16.352	B820	12D17-	3
112	97.9	2.1	240	97.9	4.447	16.857	B240	12D17-	2
119	92.3	3.6	301	92.3	5.046	17.885	B450	12D17-	3
124	88.4	4.5	314	88.4	6.178	18.655	B820	12D17-	3
125	87.5	4.6	317	87.5	6.288	18.851	B600	12D17-	3
127	86.2	1.8	240	86.2	4.420	19.143	B240	12D17-	2
132	83.2	3.3	333	83.2	5.006	19.831	B450	12D17-	3
137	80.0	4.2	347	80.0	6.023	20.622	B600	12D17-	3
137	79.9	1.7	240	79.9	4.340	20.650	B240	12D17-	2
139	79.1	4.5	351	79.1	6.111	20.857	B820	12D17-	3
152	72.3	2.9	384	72.3	4.702	22.813	B450	12D17-	3
152	72.2	3.8	384	72.2	5.188	22.852	B600	12D17-	3
152	72.2	3.9	384	72.2	5.597	22.853	B820	12D17-	3
156	70.4	1.5	240	70.4	4.322	23.450	B240	12D17-	2
168	65.2	2.6	425	65.2	4.678	25.294	B450	12D17-	3
169	65.1	3.5	426	65.1	6.177	25.347	B600	12D17-	3
170	64.6	3.9	430	64.6	5.553	25.550	B820	12D17-	3
173	63.3	3.4	438	63.3	6.882	26.061	B600	12D17-	3
175	62.7	4.5	443	62.7	7.077	26.324	B820	12D17-	3
186	59.0	2.4	450	59.0	4.510	27.945	B450	12D17-	3
194	56.5	5.6	491	56.5	8.294	29.206	B1500	12D17-	3
198	55.5	2.9	500	55.5	4.720	29.744	B600	12D17-	3
198	55.5	3.1	500	55.5	4.909	29.745	B820	12D17-	3
206	53.3	2.1	450	53.3	4.494	30.985	B450	12D17-	3
215	51.1	3.7	543	51.1	6.243	32.291	B820	12D17-	3
216	50.9	2.7	545	50.9	5.599	32.439	B600	12D17-	3
216	50.7	4.8	547	50.7	7.263	32.547	B1500	12D17-	3
238	46.2	2.5	600	46.2	6.117	35.740	B600	12D17-	3



Technical data

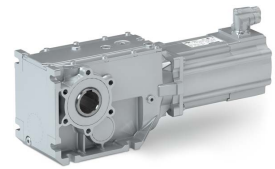
Selection tables
Inverter mains connection 400 V, Forced-ventilated

Inverter operation							Geared motor		Number of stages
M_2	n_2	c	$M_{2, \max}$	$n_{2, \text{th}}$	J	i			
Nm	rpm		Nm	rpm	kgcm ²				
238	46.1	4.8	602	46.1	7.210	35.778	B1500	12D17-	3
240	45.7	3.3	607	45.7	6.220	36.102	B820	12D17-	3
246	44.6	2.4	600	44.6	4.480	36.999	B600	12D17-	3
246	44.6	2.6	622	44.6	4.636	37.000	B820	12D17-	3
256	42.8	4.7	648	42.8	13.371	38.546	B4300	12D17-	3
272	40.3	5.5	688	40.3	9.303	40.895	B1500	12D17-	3
275	39.9	3.0	695	39.9	5.639	41.325	B820	12D17-	3
279	39.3	2.2	600	39.3	4.676	41.940	B600	12D17-	3
299	36.7	5.0	756	36.7	9.269	44.955	B1500	12D17-	3
301	36.5	2.7	760	36.5	5.481	45.207	B820	12D17-	3
304	36.1	2.0	600	36.1	5.562	45.739	B600	12D17-	3
310	35.4	4.0	783	35.4	6.138	46.568	B1500	12D17-	3
325	33.7	4.8	822	33.7	9.468	48.912	B2700	12D17-	3
333	33.0	1.8	600	33.0	5.417	50.036	B600	12D17-	3
336	32.6	2.4	820	32.6	5.470	50.543	B820	12D17-	3
345	31.8	3.4	873	31.8	5.485	51.920	B1500	12D17-	3
360	30.5	4.2	909	30.5	5.113	54.082	B2700	12D17-	3
369	29.8	1.6	600	29.8	4.878	55.447	B600	12D17-	3
373	29.4	1.2	450	29.4	4.475	56.154	B450	12D17-	3
379	28.9	3.4	960	28.9	5.464	57.074	B1500	12D17-	3
383	28.6	2.1	820	28.6	5.119	57.662	B820	12D17-	3
388	28.2	3.9	982	28.2	6.957	58.422	B1500	12D17-	3
395	27.8	4.2	999	27.8	5.113	59.393	B2700	12D17-	3
414	26.5	1.1	450	26.5	4.471	62.262	B450	12D17-	3
424	25.9	1.4	600	25.9	5.079	63.822	B600	12D17-	3
427	25.7	3.5	1080	25.7	6.940	64.221	B1500	12D17-	3
429	25.6	1.9	820	25.6	5.112	64.468	B820	12D17-	3
457	24.0	1.0	450	24.0	4.359	68.788	B450	12D17-	3
470	23.4	1.8	820	23.4	4.891	70.636	B820	12D17-	3
476	23.1	3.2	1203	23.1	6.318	71.566	B1500	12D17-	3
480	22.9	1.3	600	22.9	4.537	72.170	B600	12D17-	3
498	22.0	2.6	1260	22.0	4.906	74.963	B1500	12D17-	3
507	21.6	0.9	450	21.6	4.356	76.271	B450	12D17-	3
511	21.5	3.3	1292	21.5	6.609	76.862	B2700	12D17-	3
520	21.1	1.2	600	21.1	4.865	78.182	B600	12D17-	3
525	20.9	1.6	820	20.9	4.887	78.973	B820	12D17-	3
550	19.9	2.2	1213	19.9	4.667	82.762	B1500	12D17-	3
565	19.4	2.8	1428	19.4	5.923	84.940	B2700	12D17-	3
597	18.4	1.0	600	18.4	4.361	89.772	B600	12D17-	3
605	18.1	2.2	1333	18.1	4.658	90.978	B1500	12D17-	3
611	17.9	1.3	820	17.9	4.492	91.939	B820	12D17-	3
619	17.7	2.4	1500	17.7	5.612	93.150	B1500	12D17-	3
620	17.7	2.8	1568	17.7	5.904	93.283	B2700	12D17-	3
648	16.9	4.2	1639	16.9	8.457	97.481	B2700	12D17-	3
648	16.9	4.8	1638	16.9	8.994	97.453	B4300	12D17-	3
677	16.2	0.9	600	16.2	4.529	101.760	B600	12D17-	3
681	16.1	2.2	1500	16.1	5.605	102.396	B1500	12D17-	3
683	16.1	1.2	820	16.1	4.489	102.790	B820	12D17-	3
708	15.5	4.8	1791	15.5	8.960	106.517	B4300	12D17-	3
712	15.4	3.8	1800	15.4	8.442	107.056	B2700	12D17-	3
759	14.5	2.0	1500	14.5	5.113	114.166	B1500	12D17-	3
760	14.4	1.1	820	14.4	4.366	114.364	B820	12D17-	3

Technical data

Selection tables

Inverter mains connection 400 V, Forced-ventilated



Inverter operation							Geared motor		Number of stages
M_2	n_2	c	$M_{2, \max}$	$n_{2, \text{th}}$	J	i			
Nm	rpm		Nm	rpm	kgcm ²				
787	13.9	3.4	1990	13.9	5.113	118.370	B2700	12D17-	3
787	13.9	4.2	1990	13.9	5.113	118.336	B4300	12D17-	3
834	13.1	1.8	1500	13.1	5.113	125.498	B1500	12D17-	3
842	13.0	0.7	600	13.0	4.356	126.580	B600	12D17-	3
850	12.9	1.0	820	12.9	4.365	127.861	B820	12D17-	3
860	12.8	4.2	2175	12.8	5.113	129.342	B4300	12D17-	3
864	12.7	3.1	2186	12.7	5.113	129.996	B2700	12D17-	3
997	11.0	1.5	1500	11.0	4.703	149.949	B1500	12D17-	3
1018	10.8	3.3	2575	10.8	6.417	153.141	B4300	12D17-	3
1019	10.8	2.7	2575	10.8	6.199	153.185	B2700	12D17-	3
1096	10.0	1.4	1500	10.0	4.700	164.833	B1500	12D17-	3
1113	9.9	3.3	2814	9.9	6.403	167.383	B4300	12D17-	3
1119	9.8	2.4	2700	9.8	6.193	168.230	B2700	12D17-	3
1210	9.1	1.2	1500	9.1	4.521	181.983	B1500	12D17-	3
1236	8.9	2.2	2700	8.9	5.626	185.911	B2700	12D17-	3
1236	8.9	2.8	3125	8.9	5.773	185.857	B4300	12D17-	3
1330	8.2	1.1	1500	8.2	4.519	200.048	B1500	12D17-	3
1351	8.1	2.8	3415	8.1	5.764	203.143	B4300	12D17-	3
1358	8.1	2.0	2700	8.1	5.622	204.170	B2700	12D17-	3
1562	7.0	2.2	3474	7.0	5.173	234.932	B4300	12D17-	3
1563	7.0	1.7	2700	7.0	5.080	235.000	B2700	12D17-	3
1707	6.4	2.2	3798	6.4	5.167	256.781	B4300	12D17-	3
1716	6.4	1.6	2700	6.4	5.078	258.080	B2700	12D17-	3



Technical data

Selection tables

Inverter mains connection 400 V, Forced-ventilated

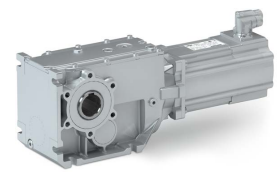
1.7 kW

Inverter operation							Geared motor		Number of stages
M_2	n_2	c	$M_{2, max}$	$n_{2, th}$	J	i			
Nm	rpm		Nm	rpm	kgcm ²				
41.0	379	3.4	98.0	379	10.272	3.565	B240	12H14-	2
56.0	276	2.6	135	276	9.044	4.889	B240	12H14-	2
57.0	272	4.8	137	272	18.822	4.958	B820	12H14-	3
57.0	272	5.5	137	272	19.622	4.958	B820	14D14-	3
57.0	270	3.9	138	270	11.660	5.002	B450	12H14-	3
57.0	270	4.9	138	270	12.460	5.002	B450	14D14-	3
58.0	266	4.8	140	266	14.031	5.067	B600	12H14-	3
71.0	216	2.2	156	216	8.451	6.257	B240	12H14-	2
78.0	199	4.0	187	199	14.011	6.800	B820	12H14-	3
78.0	199	5.1	187	199	14.811	6.800	B820	14D14-	3
78.0	197	3.2	189	197	9.782	6.860	B450	12H14-	3
78.0	197	3.9	189	197	10.582	6.860	B450	14D14-	3
78.0	196	2.3	179	196	8.974	6.883	B240	12H14-	2
79.0	194	4.0	191	194	11.463	6.949	B600	12H14-	3
79.0	194	5.0	191	194	12.263	6.949	B600	14D14-	3
87.0	177	4.8	210	177	13.090	7.617	B600	12H14-	3
87.0	177	4.8	210	177	16.772	7.618	B820	12H14-	3
87.0	177	4.9	210	177	17.572	7.618	B820	14D14-	3
87.0	177	5.3	210	177	13.890	7.617	B600	14D14-	3
89.0	173	2.1	187	173	8.813	7.817	B240	12H14-	2
97.0	159	4.7	235	159	16.371	8.517	B820	12H14-	3
97.0	159	4.7	235	159	17.171	8.517	B820	14D14-	3
106	145	3.5	257	145	10.506	9.315	B450	12H14-	3
106	145	3.5	257	145	11.306	9.315	B450	14D14-	3
108	143	1.8	191	143	8.354	9.440	B240	12H14-	2
109	142	3.2	262	142	11.061	9.520	B820	12H14-	3
109	142	4.6	262	142	11.861	9.520	B820	14D14-	3
118	131	3.3	285	131	10.360	10.328	B450	12H14-	3
118	131	3.3	285	131	11.160	10.328	B450	14D14-	3
119	129	4.0	288	129	12.920	10.447	B820	12H14-	3
119	129	4.4	288	129	13.720	10.447	B820	14D14-	3
122	126	1.7	204	126	8.268	10.720	B240	12H14-	2
122	126	4.4	296	126	12.418	10.741	B600	12H14-	3
122	126	4.4	296	126	13.218	10.741	B600	14D14-	3
133	116	4.0	322	116	12.707	11.680	B820	12H14-	3
133	116	4.3	322	116	13.507	11.680	B820	14D14-	3
138	112	1.5	208	112	8.029	12.081	B240	12H14-	2
138	111	2.7	334	111	9.820	12.143	B820	12H14-	3
138	111	3.9	334	111	10.620	12.143	B820	14D14-	3
146	106	2.8	352	106	9.168	12.775	B450	12H14-	3
146	106	2.8	352	106	9.968	12.775	B450	14D14-	3
150	103	4.0	361	103	14.961	13.118	B1500	12H14-	3
152	101	3.4	368	101	9.806	13.369	B600	12H14-	3
152	101	3.4	368	101	11.001	13.370	B820	12H14-	3
152	101	3.6	368	101	10.606	13.369	B600	14D14-	3
152	101	4.1	368	101	11.801	13.370	B820	14D14-	3
156	98.4	1.4	217	98.4	7.977	13.719	B240	12H14-	2
161	95.3	2.6	390	95.3	9.091	14.165	B450	12H14-	3
161	95.3	2.6	390	95.3	9.891	14.165	B450	14D14-	3
167	92.3	3.2	403	92.3	10.504	14.626	B820	12H14-	3
167	92.3	3.9	403	92.3	11.304	14.626	B820	14D14-	3

Technical data

Selection tables

Inverter mains connection 400 V, Forced-ventilated



Inverter operation							Geared motor		Number of stages
M_2	n_2	c	$M_{2, \max}$	$n_{2, \text{th}}$	J	i			
Nm	rpm		Nm	rpm	kgcm ²				
168	91.6	3.6	406	91.6	10.606	14.730	B600	12H14-	3
168	91.6	3.6	406	91.6	11.406	14.730	B600	14D14-	3
171	90.0	1.3	223	90.0	7.886	15.008	B240	12H14-	2
186	82.6	2.3	434	82.6	8.527	16.349	B450	12H14-	3
186	82.6	2.3	434	82.6	9.327	16.349	B450	14D14-	3
186	82.6	3.2	450	82.6	10.396	16.352	B820	12H14-	3
186	82.6	3.8	450	82.6	11.196	16.352	B820	14D14-	3
192	80.1	1.3	240	80.1	7.747	16.857	B240	12H14-	2
204	75.5	2.2	446	75.5	8.346	17.885	B450	12H14-	3
204	75.5	2.2	446	75.5	9.146	17.885	B450	14D14-	3
212	72.6	4.2	512	72.6	15.497	18.598	B1500	12H14-	3
213	72.4	2.7	514	72.4	9.478	18.655	B820	12H14-	3
213	72.4	3.5	514	72.4	10.278	18.655	B820	14D14-	3
215	71.6	2.8	519	71.6	9.588	18.851	B600	12H14-	3
215	71.6	2.8	519	71.6	10.388	18.851	B600	14D14-	3
218	70.5	1.1	240	70.5	7.720	19.143	B240	12H14-	2
226	68.1	2.0	450	68.1	8.306	19.831	B450	12H14-	3
226	68.1	2.0	450	68.1	9.106	19.831	B450	14D14-	3
233	66.0	4.2	563	66.0	15.331	20.444	B1500	12H14-	3
235	65.5	2.6	568	65.5	9.323	20.622	B600	12H14-	3
235	65.5	2.6	568	65.5	10.123	20.622	B600	14D14-	3
235	65.4	1.0	240	65.4	7.640	20.650	B240	12H14-	2
238	64.7	2.7	575	64.7	9.411	20.857	B820	12H14-	3
238	64.7	3.5	575	64.7	10.211	20.857	B820	14D14-	3
260	59.2	1.7	450	59.2	8.002	22.813	B450	12H14-	3
260	59.2	1.7	450	59.2	8.802	22.813	B450	14D14-	3
260	59.1	2.3	600	59.1	8.488	22.852	B600	12H14-	3
260	59.1	2.3	600	59.1	9.288	22.852	B600	14D14-	3
260	59.1	2.3	605	59.1	8.897	22.853	B820	12H14-	3
260	59.1	3.2	630	59.1	9.697	22.853	B820	14D14-	3
261	59.0	4.0	631	59.0	13.915	22.898	B1500	12H14-	3
261	59.0	5.8	631	59.0	14.715	22.898	B1500	14D14-	3
265	58.2	4.2	639	58.2	30.067	23.206	B4300	12H14-	3
267	57.6	0.9	240	57.6	7.622	23.450	B240	12H14-	2
273	56.3	5.5	660	56.3	18.292	23.973	B1500	14D14-	3
288	53.4	1.6	450	53.4	7.978	25.294	B450	12H14-	3
288	53.4	1.6	450	53.4	8.778	25.294	B450	14D14-	3
289	53.3	2.1	600	53.3	9.477	25.347	B600	12H14-	3
289	53.3	2.1	600	53.3	10.277	25.347	B600	14D14-	3
289	53.2	4.2	699	53.2	29.470	25.365	B4300	12H14-	3
291	52.8	2.3	676	52.8	8.853	25.550	B820	12H14-	3
291	52.8	2.8	704	52.8	9.653	25.550	B820	14D14-	3
297	51.8	2.0	600	51.8	10.182	26.061	B600	12H14-	3
297	51.8	2.0	600	51.8	10.982	26.061	B600	14D14-	3
300	51.3	2.7	725	51.3	10.377	26.324	B820	12H14-	3
300	51.3	2.7	725	51.3	11.177	26.324	B820	14D14-	3
300	51.2	5.0	726	51.2	18.193	26.353	B1500	14D14-	3
306	50.3	4.2	739	50.3	19.488	26.814	B2700	12H14-	3
319	48.3	1.4	450	48.3	7.810	27.945	B450	12H14-	3
333	46.2	3.3	805	46.2	11.594	29.206	B1500	12H14-	3
333	46.2	4.5	805	46.2	12.394	29.206	B1500	14D14-	3
336	45.8	4.2	811	45.8	19.299	29.447	B2700	12H14-	3



Technical data

Selection tables
Inverter mains connection 400 V, Forced-ventilated

Inverter operation							Geared motor		Number of stages
M_2	n_2	c	$M_{2, max}$	$n_{2, th}$	J	i			
Nm	rpm		Nm	rpm	kgcm ²				
339	45.4	1.8	600	45.4	8.020	29.744	B600	12H14-	3
339	45.4	1.8	600	45.4	8.820	29.744	B600	14D14-	3
339	45.4	1.9	630	45.4	8.209	29.745	B820	12H14-	3
339	45.4	2.4	819	45.4	9.009	29.745	B820	14D14-	3
353	43.6	1.3	450	43.6	7.794	30.985	B450	12H14-	3
354	43.4	5.6	857	43.4	23.989	31.097	B4300	14D14-	3
368	41.8	2.2	820	41.8	9.543	32.291	B820	12H14-	3
368	41.8	2.2	820	41.8	10.343	32.291	B820	14D14-	3
370	41.6	1.6	600	41.6	8.899	32.439	B600	12H14-	3
370	41.6	1.6	600	41.6	9.699	32.439	B600	14D14-	3
371	41.5	2.9	897	41.5	10.563	32.547	B1500	12H14-	3
371	41.5	4.0	897	41.5	11.363	32.547	B1500	14D14-	3
375	41.1	5.6	906	41.1	17.348	32.873	B2700	14D14-	3
407	37.8	1.5	600	37.8	9.417	35.740	B600	12H14-	3
407	37.8	1.5	600	37.8	10.217	35.740	B600	14D14-	3
408	37.7	2.9	986	37.7	10.510	35.778	B1500	12H14-	3
408	37.7	3.7	986	37.7	11.310	35.778	B1500	14D14-	3
412	37.4	2.0	820	37.4	9.520	36.102	B820	12H14-	3
412	37.4	2.0	820	37.4	10.320	36.102	B820	14D14-	3
412	37.4	5.6	994	37.4	17.222	36.102	B2700	14D14-	3
416	37.0	3.6	1006	37.0	14.990	36.526	B1500	14D14-	3
422	36.5	1.4	600	36.5	7.780	36.999	B600	12H14-	3
422	36.5	1.6	654	36.5	7.936	37.000	B820	12H14-	3
439	35.0	2.8	1062	35.0	16.671	38.546	B4300	12H14-	3
439	35.0	4.4	1062	35.0	17.471	38.546	B4300	14D14-	3
466	33.0	3.2	1126	33.0	12.603	40.895	B1500	12H14-	3
466	33.0	3.2	1126	33.0	13.403	40.895	B1500	14D14-	3
471	32.7	1.7	820	32.7	8.939	41.325	B820	12H14-	3
471	32.7	1.7	820	32.7	9.739	41.325	B820	14D14-	3
478	32.2	1.3	600	32.2	7.976	41.940	B600	12H14-	3
478	32.2	1.3	600	32.2	8.776	41.940	B600	14D14-	3
488	31.6	5.5	1178	31.6	22.239	42.772	B2700	14D14-	3
512	30.0	2.9	1238	30.0	12.569	44.955	B1500	12H14-	3
512	30.0	2.9	1238	30.0	13.369	44.955	B1500	14D14-	3
515	29.9	1.6	820	29.9	8.781	45.207	B820	12H14-	3
515	29.9	1.6	820	29.9	9.581	45.207	B820	14D14-	3
521	29.5	1.2	600	29.5	8.862	45.739	B600	12H14-	3
521	29.5	1.2	600	29.5	9.662	45.739	B600	14D14-	3
531	29.0	2.3	1223	29.0	9.438	46.568	B1500	12H14-	3
531	29.0	2.8	1283	29.0	10.238	46.568	B1500	14D14-	3
535	28.7	5.0	1294	28.7	22.165	46.973	B2700	14D14-	3
558	27.6	2.8	1347	27.6	12.768	48.912	B2700	12H14-	3
558	27.6	4.4	1347	27.6	13.568	48.912	B2700	14D14-	3
570	27.0	1.1	600	27.0	8.717	50.036	B600	12H14-	3
570	27.0	1.1	600	27.0	9.517	50.036	B600	14D14-	3
576	26.7	1.4	820	26.7	8.770	50.543	B820	12H14-	3
576	26.7	1.4	820	26.7	9.570	50.543	B820	14D14-	3
592	26.0	2.0	1166	26.0	8.785	51.920	B1500	12H14-	3
592	26.0	2.5	1430	26.0	9.585	51.920	B1500	14D14-	3
616	25.0	2.4	1490	25.0	8.413	54.082	B2700	12H14-	3
616	25.0	3.8	1490	25.0	9.213	54.082	B2700	14D14-	3
632	24.3	1.0	600	24.3	8.178	55.447	B600	12H14-	3

Technical data

Selection tables

Inverter mains connection 400 V, Forced-ventilated



Inverter operation							Geared motor		Number of stages
M_2	n_2	c	$M_{2, max}$	$n_{2, th}$	J	i			
Nm	rpm		Nm	rpm	kgcm ²				
632	24.3	1.0	600	24.3	8.978	55.447	B600	14D14-	3
640	24.0	0.7	450	24.0	7.775	56.154	B450	12H14-	3
640	24.0	0.7	450	24.0	8.575	56.154	B450	14D14-	3
651	23.7	2.0	1282	23.7	8.764	57.074	B1500	12H14-	3
651	23.7	2.3	1500	23.7	9.564	57.074	B1500	14D14-	3
657	23.4	1.3	820	23.4	8.419	57.662	B820	12H14-	3
657	23.4	1.3	820	23.4	9.219	57.662	B820	14D14-	3
666	23.1	2.3	1500	23.1	10.257	58.422	B1500	12H14-	3
666	23.1	2.3	1500	23.1	11.057	58.422	B1500	14D14-	3
669	23.0	4.2	1616	23.0	17.992	58.671	B4300	12H14-	3
677	22.7	2.4	1636	22.7	8.413	59.393	B2700	12H14-	3
677	22.7	3.8	1636	22.7	9.213	59.393	B2700	14D14-	3
710	21.7	0.6	450	21.7	7.771	62.262	B450	12H14-	3
710	21.7	0.6	450	21.7	8.571	62.262	B450	14D14-	3
727	21.2	0.8	600	21.2	8.379	63.822	B600	12H14-	3
727	21.2	0.8	600	21.2	9.179	63.822	B600	14D14-	3
731	21.1	4.2	1766	21.1	17.898	64.127	B4300	12H14-	3
731	21.1	5.9	1766	21.1	18.698	64.127	B4300	14D14-	3
732	21.0	2.1	1500	21.0	10.240	64.221	B1500	12H14-	3
732	21.0	2.1	1500	21.0	11.040	64.221	B1500	14D14-	3
735	20.9	1.1	820	20.9	8.412	64.468	B820	12H14-	3
735	20.9	1.1	820	20.9	9.212	64.468	B820	14D14-	3
735	20.9	3.7	1775	20.9	16.470	64.452	B2700	12H14-	3
735	20.9	3.7	1775	20.9	17.270	64.452	B2700	14D14-	3
784	19.6	0.6	450	19.6	7.659	68.788	B450	12H14-	3
805	19.1	1.0	820	19.1	8.191	70.636	B820	12H14-	3
805	19.1	1.0	820	19.1	8.991	70.636	B820	14D14-	3
816	18.9	1.8	1500	18.9	9.618	71.566	B1500	12H14-	3
816	18.9	1.8	1500	18.9	10.418	71.566	B1500	14D14-	3
820	18.8	3.3	1982	18.8	15.366	71.951	B2700	14D14-	3
820	18.8	5.2	1981	18.8	16.353	71.930	B4300	14D14-	3
823	18.7	0.7	600	18.7	7.837	72.170	B600	12H14-	3
823	18.7	0.7	600	18.7	8.637	72.170	B600	14D14-	3
854	18.0	1.5	1318	18.0	8.206	74.963	B1500	12H14-	3
869	17.7	0.5	450	17.7	7.656	76.271	B450	12H14-	3
876	17.6	1.9	1700	17.6	9.909	76.862	B2700	12H14-	3
876	17.6	3.0	2117	17.6	10.709	76.862	B2700	14D14-	3
891	17.3	0.7	600	17.3	8.165	78.182	B600	12H14-	3
891	17.3	0.7	600	17.3	8.965	78.182	B600	14D14-	3
896	17.2	4.8	2166	17.2	16.291	78.619	B4300	14D14-	3
900	17.1	0.9	820	17.1	8.187	78.973	B820	12H14-	3
900	17.1	0.9	820	17.1	8.987	78.973	B820	14D14-	3
943	16.3	1.3	1213	16.3	7.967	82.762	B1500	12H14-	3
968	15.9	1.6	1568	15.9	9.223	84.940	B2700	12H14-	3
968	15.9	2.5	2340	15.9	10.023	84.940	B2700	14D14-	3
1023	15.0	0.6	600	15.0	7.661	89.772	B600	12H14-	3
1037	14.8	1.3	1333	14.8	7.958	90.978	B1500	12H14-	3
1048	14.7	0.8	820	14.7	7.792	91.939	B820	12H14-	3
1048	14.7	0.8	820	14.7	8.592	91.939	B820	14D14-	3
1062	14.5	1.4	1500	14.5	8.912	93.150	B1500	12H14-	3
1062	14.5	1.4	1500	14.5	9.712	93.150	B1500	14D14-	3
1063	14.5	1.6	1722	14.5	9.204	93.283	B2700	12H14-	3



Technical data

Selection tables

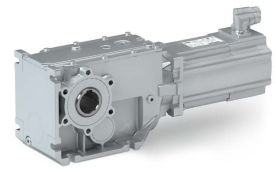
Inverter mains connection 400 V, Forced-ventilated

Inverter operation							Geared motor		Number of stages
M_2	n_2	c	$M_{2, \max}$	$n_{2, \text{th}}$	J	i			
Nm	rpm		Nm	rpm	kgcm ²				
1063	14.5	2.5	2570	14.5	10.004	93.283	B2700	14D14-	3
1111	13.9	2.8	2684	13.9	12.294	97.453	B4300	12H14-	3
1111	13.9	3.9	2684	13.9	13.094	97.453	B4300	14D14-	3
1111	13.8	2.4	2685	13.8	11.757	97.481	B2700	12H14-	3
1111	13.8	2.4	2685	13.8	12.557	97.481	B2700	14D14-	3
1160	13.3	0.5	600	13.3	7.829	101.760	B600	12H14-	3
1160	13.3	0.5	600	13.3	8.629	101.760	B600	14D14-	3
1167	13.2	1.3	1500	13.2	8.905	102.396	B1500	12H14-	3
1167	13.2	1.3	1500	13.2	9.705	102.396	B1500	14D14-	3
1172	13.1	0.7	820	13.1	7.789	102.790	B820	12H14-	3
1172	13.1	0.7	820	13.1	8.589	102.790	B820	14D14-	3
1214	12.7	2.8	2934	12.7	12.260	106.517	B4300	12H14-	3
1214	12.7	3.5	2934	12.7	13.060	106.517	B4300	14D14-	3
1220	12.6	2.2	2700	12.6	11.742	107.056	B2700	12H14-	3
1220	12.6	2.2	2700	12.6	12.542	107.056	B2700	14D14-	3
1301	11.8	1.2	1500	11.8	8.413	114.166	B1500	12H14-	3
1301	11.8	1.2	1500	11.8	9.213	114.166	B1500	14D14-	3
1304	11.8	0.6	820	11.8	7.666	114.364	B820	12H14-	3
1349	11.4	2.0	2700	11.4	8.413	118.370	B2700	12H14-	3
1349	11.4	2.0	2700	11.4	9.213	118.370	B2700	14D14-	3
1349	11.4	2.4	3260	11.4	8.413	118.336	B4300	12H14-	3
1349	11.4	3.2	3260	11.4	9.213	118.336	B4300	14D14-	3
1430	10.8	1.1	1500	10.8	8.413	125.498	B1500	12H14-	3
1430	10.8	1.1	1500	10.8	9.213	125.498	B1500	14D14-	3
1457	10.6	0.6	820	10.6	7.665	127.861	B820	12H14-	3
1474	10.4	2.4	3563	10.4	8.413	129.342	B4300	12H14-	3
1474	10.4	2.9	3563	10.4	9.213	129.342	B4300	14D14-	3
1482	10.4	1.8	2700	10.4	8.413	129.996	B2700	12H14-	3
1482	10.4	1.8	2700	10.4	9.213	129.996	B2700	14D14-	3
1709	9.0	0.9	1500	9.0	8.003	149.949	B1500	12H14-	3
1746	8.8	1.6	2700	8.8	9.499	153.185	B2700	12H14-	3
1746	8.8	1.6	2700	8.8	10.299	153.185	B2700	14D14-	3
1746	8.8	1.9	3388	8.8	9.717	153.141	B4300	12H14-	3
1746	8.8	2.5	4218	8.8	10.517	153.141	B4300	14D14-	3
1879	8.2	0.8	1500	8.2	8.000	164.833	B1500	12H14-	3
1908	8.1	1.9	3703	8.1	9.703	167.383	B4300	12H14-	3
1908	8.1	2.3	4300	8.1	10.503	167.383	B4300	14D14-	3
1918	8.0	1.4	2700	8.0	9.493	168.230	B2700	12H14-	3
1918	8.0	1.4	2700	8.0	10.293	168.230	B2700	14D14-	3
2074	7.4	0.7	1500	7.4	7.821	181.983	B1500	12H14-	3
2118	7.3	1.6	3430	7.3	9.073	185.857	B4300	12H14-	3
2118	7.3	2.0	4300	7.3	9.873	185.857	B4300	14D14-	3
2119	7.3	1.3	2700	7.3	8.926	185.911	B2700	12H14-	3
2119	7.3	1.3	2700	7.3	9.726	185.911	B2700	14D14-	3
2280	6.7	0.7	1500	6.7	7.819	200.048	B1500	12H14-	3
2315	6.6	1.6	3749	6.6	9.064	203.143	B4300	12H14-	3
2315	6.6	1.9	4300	6.6	9.864	203.143	B4300	14D14-	3
2327	6.6	1.2	2700	6.6	8.922	204.170	B2700	12H14-	3
2327	6.6	1.2	2700	6.6	9.722	204.170	B2700	14D14-	3
2678	5.7	1.3	3474	5.7	8.473	234.932	B4300	12H14-	3
2679	5.7	1.0	2700	5.7	8.380	235.000	B2700	12H14-	3
2927	5.3	1.3	3798	5.3	8.467	256.781	B4300	12H14-	3

Technical data

Selection tables

Inverter mains connection 400 V, Forced-ventilated



Inverter operation							Geared motor		Number of stages
M_2	n_2	c	$M_{2, \max}$	$n_{2, \text{th}}$	J	i			
Nm	rpm		Nm	rpm	kgcm ²				
2942	5.2	0.9	2700	5.2	8.378	258.080	B2700	12H14-	3



Technical data

Selection tables

Inverter mains connection 400 V, Forced-ventilated

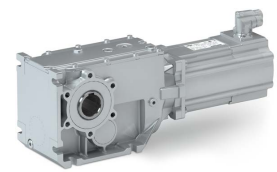
2.2 kW

Inverter operation						i	Geared motor		Number of stages
M ₂	n ₂	c	M _{2, max}	n _{2, th}	J				
Nm	rpm		Nm	rpm	kgcm ²				
20.0	989	5.1	60.0	850	6.972	3.565	B240	12D35-	2
28.0	721	4.0	82.0	692	5.744	4.889	B240	12D35-	2
29.0	705	5.8	84.0	620	8.360	5.002	B450	12D35-	3
36.0	563	3.3	105	563	5.151	6.257	B240	12D35-	2
39.0	514	4.9	115	512	6.482	6.860	B450	12D35-	3
39.0	512	3.4	116	407	5.674	6.883	B240	12D35-	2
45.0	451	3.2	131	352	5.513	7.817	B240	12D35-	2
53.0	378	5.2	157	326	7.206	9.315	B450	12D35-	3
54.0	373	2.7	159	332	5.054	9.440	B240	12D35-	2
54.0	370	4.8	160	369	7.761	9.520	B820	12D35-	3
59.0	341	4.9	174	291	7.060	10.328	B450	12D35-	3
61.0	329	2.5	180	288	4.968	10.720	B240	12D35-	2
69.0	292	2.3	203	276	4.729	12.081	B240	12D35-	2
69.0	290	4.1	204	290	6.520	12.143	B820	12D35-	3
73.0	276	4.2	215	268	5.868	12.775	B450	12D35-	3
75.0	269	6.0	221	233	11.661	13.118	B1500	12D35-	3
76.0	264	5.1	225	257	6.506	13.369	B600	12D35-	3
76.0	264	5.1	225	257	7.701	13.370	B820	12D35-	3
78.0	257	2.1	217	240	4.677	13.719	B240	12D35-	2
81.0	249	3.9	238	239	5.791	14.165	B450	12D35-	3
83.0	241	4.8	246	240	7.204	14.626	B820	12D35-	3
84.0	239	5.4	248	204	7.306	14.730	B600	12D35-	3
86.0	235	2.0	223	225	4.586	15.008	B240	12D35-	2
93.0	216	3.5	275	216	5.227	16.349	B450	12D35-	3
93.0	216	4.8	275	215	7.096	16.352	B820	12D35-	3
96.0	209	1.9	240	209	4.447	16.857	B240	12D35-	2
102	197	3.3	301	197	5.046	17.885	B450	12D35-	3
106	189	4.1	314	189	6.178	18.655	B820	12D35-	3
107	187	4.2	317	176	6.288	18.851	B600	12D35-	3
109	184	1.7	240	184	4.420	19.143	B240	12D35-	2
113	178	3.0	333	178	5.006	19.831	B450	12D35-	3
118	171	3.8	347	163	6.023	20.622	B600	12D35-	3
118	171	1.5	240	171	4.340	20.650	B240	12D35-	2
119	169	4.1	351	169	6.111	20.857	B820	12D35-	3
130	155	2.6	384	155	4.702	22.813	B450	12D35-	3
130	154	3.5	384	154	5.188	22.852	B600	12D35-	3
130	154	3.5	384	154	5.597	22.853	B820	12D35-	3
130	154	6.0	385	134	10.615	22.898	B1500	12D35-	3
134	150	1.4	240	150	4.322	23.450	B240	12D35-	2
144	139	2.4	425	139	4.678	25.294	B450	12D35-	3
144	139	3.1	426	106	6.177	25.347	B600	12D35-	3
146	138	3.5	430	138	5.553	25.550	B820	12D35-	3
149	135	3.0	438	88.3	6.882	26.061	B600	12D35-	3
150	134	4.1	443	93.3	7.077	26.324	B820	12D35-	3
159	126	2.1	450	126	4.510	27.945	B450	12D35-	3
166	121	5.0	491	118	8.294	29.206	B1500	12D35-	3
170	119	2.7	500	119	4.720	29.744	B600	12D35-	3
170	119	2.8	500	119	4.909	29.745	B820	12D35-	3
177	114	1.9	450	114	4.494	30.985	B450	12D35-	3
184	109	3.4	543	84.6	6.243	32.291	B820	12D35-	3
185	109	2.4	545	91.5	5.599	32.439	B600	12D35-	3

Technical data

Selection tables

Inverter mains connection 400 V, Forced-ventilated



Inverter operation							Geared motor		Number of stages
M_2	n_2	c	$M_{2, max}$	$n_{2, th}$	J	i			
Nm	rpm		Nm	rpm	kgcm ²				
185	108	4.3	547	108	7.263	32.547	B1500	12D35-	3
204	98.6	2.2	600	69.9	6.117	35.740	B600	12D35-	3
204	98.5	4.3	602	98.5	7.210	35.778	B1500	12D35-	3
206	97.6	3.0	607	73.9	6.220	36.102	B820	12D35-	3
211	95.3	2.1	600	95.3	4.480	36.999	B600	12D35-	3
211	95.3	2.3	622	95.3	4.636	37.000	B820	12D35-	3
220	91.4	4.3	648	91.4	13.371	38.546	B4300	12D35-	3
233	86.2	5.5	688	70.9	9.303	40.895	B1500	12D35-	3
236	85.3	3.0	695	74.9	5.639	41.325	B820	12D35-	3
239	84.0	2.2	600	84.0	4.676	41.940	B600	12D35-	3
256	78.4	5.0	756	63.3	9.269	44.955	B1500	12D35-	3
258	78.0	2.7	760	69.6	5.481	45.207	B820	12D35-	3
261	77.1	2.0	600	61.9	5.562	45.739	B600	12D35-	3
265	75.7	3.9	783	75.7	6.138	46.568	B1500	12D35-	3
279	72.1	4.8	822	72.1	9.468	48.912	B2700	12D35-	3
285	70.4	1.8	600	55.7	5.417	50.036	B600	12D35-	3
288	69.7	2.4	820	60.8	5.470	50.543	B820	12D35-	3
296	67.9	3.4	873	67.9	5.485	51.920	B1500	12D35-	3
308	65.2	4.1	909	65.2	5.113	54.082	B2700	12D35-	3
316	63.6	1.6	600	62.9	4.878	55.447	B600	12D35-	3
320	62.8	1.2	450	56.4	4.475	56.154	B450	12D35-	3
325	61.8	3.4	960	61.8	5.464	57.074	B1500	12D35-	3
329	61.1	2.1	820	57.8	5.119	57.662	B820	12D35-	3
333	60.3	3.9	982	56.1	6.957	58.422	B1500	12D35-	3
338	59.3	4.1	999	59.3	5.113	59.393	B2700	12D35-	3
355	56.6	1.1	450	48.7	4.471	62.262	B450	12D35-	3
364	55.2	1.4	600	43.7	5.079	63.822	B600	12D35-	3
366	54.9	3.5	1080	50.1	6.940	64.221	B1500	12D35-	3
367	54.7	1.9	820	50.1	5.112	64.468	B820	12D35-	3
392	51.2	1.0	450	48.0	4.359	68.788	B450	12D35-	3
403	49.9	1.7	820	49.9	4.891	70.636	B820	12D35-	3
408	49.3	3.1	1203	48.1	6.318	71.566	B1500	12D35-	3
411	48.8	1.3	600	48.8	4.537	72.170	B600	12D35-	3
427	47.0	2.6	1260	47.0	4.906	74.963	B1500	12D35-	3
435	46.2	0.9	450	39.1	4.356	76.271	B450	12D35-	3
438	45.9	3.3	1292	45.9	6.609	76.862	B2700	12D35-	3
446	45.1	1.2	600	37.7	4.865	78.182	B600	12D35-	3
450	44.6	1.6	820	43.2	4.887	78.973	B820	12D35-	3
472	42.6	2.2	1213	42.6	4.667	82.762	B1500	12D35-	3
484	41.5	2.8	1428	41.5	5.923	84.940	B2700	12D35-	3
512	39.3	1.0	600	39.3	4.361	89.772	B600	12D35-	3
518	38.7	2.2	1333	38.7	4.658	90.978	B1500	12D35-	3
524	38.3	1.3	820	38.3	4.492	91.939	B820	12D35-	3
531	37.8	2.4	1500	37.8	5.612	93.150	B1500	12D35-	3
532	37.8	2.8	1568	37.8	5.904	93.283	B2700	12D35-	3
555	36.2	4.8	1638	36.2	8.994	97.453	B4300	12D35-	3
556	36.2	4.2	1639	36.2	8.457	97.481	B2700	12D35-	3
580	34.6	0.9	600	29.0	4.529	101.760	B600	12D35-	3
584	34.4	2.2	1500	34.4	5.605	102.396	B1500	12D35-	3
586	34.3	1.2	820	34.3	4.489	102.790	B820	12D35-	3
607	33.1	4.8	1791	33.1	8.960	106.517	B4300	12D35-	3
610	32.9	3.8	1800	32.9	8.442	107.056	B2700	12D35-	3



Technical data

Selection tables

Inverter mains connection 400 V, Forced-ventilated

Inverter operation						Geared motor			Number of stages
M_2	n_2	c	$M_{2, \max}$	$n_{2, \text{th}}$	J	i			
Nm	rpm		Nm	rpm	kgcm ²				
651	30.9	2.2	1500	30.9	5.113	114.166	B1500	12D35-	3
652	30.8	1.2	820	30.8	4.366	114.364	B820	12D35-	3
674	29.8	4.6	1990	29.8	5.113	118.336	B4300	12D35-	3
675	29.8	3.8	1990	29.8	5.113	118.370	B2700	12D35-	3
715	28.1	2.0	1500	28.1	5.113	125.498	B1500	12D35-	3
721	27.8	0.8	600	24.4	4.356	126.580	B600	12D35-	3
729	27.6	1.1	820	27.6	4.365	127.861	B820	12D35-	3
737	27.3	4.6	2175	27.3	5.113	129.342	B4300	12D35-	3
741	27.1	3.5	2186	27.1	5.113	129.996	B2700	12D35-	3
855	23.5	1.7	1500	23.5	4.703	149.949	B1500	12D35-	3
873	23.0	2.9	2575	23.0	6.199	153.185	B2700	12D35-	3
873	23.0	3.7	2575	23.0	6.417	153.141	B4300	12D35-	3
939	21.4	1.5	1500	21.4	4.700	164.833	B1500	12D35-	3
954	21.1	3.7	2814	21.1	6.403	167.383	B4300	12D35-	3
959	21.0	2.7	2700	21.0	6.193	168.230	B2700	12D35-	3
1037	19.4	1.4	1500	19.4	4.521	181.983	B1500	12D35-	3
1059	19.0	3.1	3125	19.0	5.773	185.857	B4300	12D35-	3
1060	19.0	2.4	2700	19.0	5.626	185.911	B2700	12D35-	3
1140	17.6	1.3	1500	17.6	4.519	200.048	B1500	12D35-	3
1158	17.4	3.1	3415	17.4	5.764	203.143	B4300	12D35-	3
1164	17.3	2.2	2700	17.3	5.622	204.170	B2700	12D35-	3
1339	15.0	1.9	2700	15.0	5.080	235.000	B2700	12D35-	3
1339	15.0	2.5	3474	15.0	5.173	234.932	B4300	12D35-	3
1463	13.7	2.5	3798	13.7	5.167	256.781	B4300	12D35-	3
1471	13.7	1.7	2700	13.7	5.078	258.080	B2700	12D35-	3

Technical data

Selection tables

Inverter mains connection 400 V, Forced-ventilated



2.9 kW

Inverter operation						i	Geared motor		Number of stages
M ₂	n ₂	c	M _{2, max}	n _{2, th}	J				
Nm	rpm		Nm	rpm	kgcm ²				
58.0	463	2.3	138	463	13.572	3.565	B240	12L17-	2
79.0	338	1.8	147	338	12.344	4.889	B240	12L17-	2
80.0	333	3.3	266	333	22.122	4.958	B820	12L17-	3
81.0	330	2.6	221	330	14.960	5.002	B450	12L17-	3
82.0	326	3.3	271	326	17.331	5.067	B600	12L17-	3
101	264	1.5	156	264	11.751	6.257	B240	12L17-	2
110	243	2.7	310	243	17.311	6.800	B820	12L17-	3
111	241	2.2	253	241	13.082	6.860	B450	12L17-	3
111	240	1.6	179	240	12.274	6.883	B240	12L17-	2
112	238	2.7	317	238	14.763	6.949	B600	12L17-	3
123	217	3.3	408	217	16.390	7.617	B600	12L17-	3
123	217	3.3	408	217	20.072	7.618	B820	12L17-	3
126	211	1.4	187	211	12.113	7.817	B240	12L17-	2
138	194	3.2	456	194	19.671	8.517	B820	12L17-	3
150	177	2.4	368	177	13.806	9.315	B450	12L17-	3
152	175	1.2	191	175	11.654	9.440	B240	12L17-	2
154	173	2.2	349	173	14.361	9.520	B820	12L17-	3
167	160	2.2	384	160	13.660	10.328	B450	12L17-	3
169	158	2.7	476	158	16.220	10.447	B820	12L17-	3
173	154	1.1	204	154	11.568	10.720	B240	12L17-	2
173	154	3.0	541	154	15.718	10.741	B600	12L17-	3
189	141	2.7	532	141	16.007	11.680	B820	12L17-	3
195	137	1.0	208	137	11.329	12.081	B240	12L17-	2
196	136	1.9	374	136	13.120	12.143	B820	12L17-	3
206	129	1.9	404	129	12.468	12.775	B450	12L17-	3
212	126	2.7	594	126	18.261	13.118	B1500	12L17-	3
216	123	2.3	512	123	13.106	13.369	B600	12L17-	3
216	123	2.3	512	123	14.301	13.370	B820	12L17-	3
222	120	1.0	217	120	11.277	13.719	B240	12L17-	2
229	117	1.8	422	117	12.391	14.165	B450	12L17-	3
236	113	2.2	535	113	13.804	14.626	B820	12L17-	3
238	112	2.4	600	112	13.906	14.730	B600	12L17-	3
242	110	0.9	223	110	11.186	15.008	B240	12L17-	2
264	101	1.6	434	101	11.827	16.349	B450	12L17-	3
264	101	2.2	599	101	13.696	16.352	B820	12L17-	3
272	97.9	0.9	240	97.9	11.047	16.857	B240	12L17-	2
289	92.3	1.5	446	92.3	11.646	17.885	B450	12L17-	3
300	88.7	2.9	890	88.7	18.797	18.598	B1500	12L17-	3
301	88.4	1.9	575	88.4	12.778	18.655	B820	12L17-	3
304	87.5	1.9	600	87.5	12.888	18.851	B600	12L17-	3
309	86.2	0.8	240	86.2	11.020	19.143	B240	12L17-	2
320	83.2	1.4	450	83.2	11.606	19.831	B450	12L17-	3
330	80.7	2.9	978	80.7	18.631	20.444	B1500	12L17-	3
333	80.0	1.8	600	80.0	12.623	20.622	B600	12L17-	3
334	79.9	0.7	240	79.9	10.940	20.650	B240	12L17-	2
337	79.1	1.9	643	79.1	12.711	20.857	B820	12L17-	3
368	72.3	1.2	450	72.3	11.302	22.813	B450	12L17-	3
369	72.2	1.6	600	72.2	11.788	22.852	B600	12L17-	3
369	72.2	1.6	605	72.2	12.197	22.853	B820	12L17-	3
370	72.1	2.7	1036	72.1	17.215	22.898	B1500	12L17-	3
375	71.1	2.9	1111	71.1	33.367	23.206	B4300	12L17-	3



Technical data

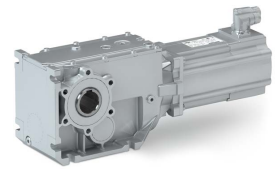
Selection tables
Inverter mains connection 400 V, Forced-ventilated

Inverter operation							Geared motor		Number of stages
M_2	n_2	c	$M_{2, \max}$	$n_{2, \text{th}}$	J	i			
Nm	rpm		Nm	rpm	kgcm ²				
379	70.4	0.6	240	70.4	10.922	23.450	B240	12L17-	2
408	65.2	1.1	450	65.2	11.278	25.294	B450	12L17-	3
409	65.1	1.4	600	65.1	12.777	25.347	B600	12L17-	3
410	65.1	2.9	1215	65.1	32.770	25.365	B4300	12L17-	3
413	64.6	1.6	676	64.6	12.153	25.550	B820	12L17-	3
421	63.3	1.4	600	63.3	13.482	26.061	B600	12L17-	3
425	62.7	1.9	820	62.7	13.677	26.324	B820	12L17-	3
433	61.5	2.9	1284	61.5	22.788	26.814	B2700	12L17-	3
451	59.0	1.0	450	59.0	11.110	27.945	B450	12L17-	3
472	56.5	2.3	1113	56.5	14.894	29.206	B1500	12L17-	3
476	56.0	2.9	1410	56.0	22.599	29.447	B2700	12L17-	3
480	55.5	1.2	600	55.5	11.320	29.744	B600	12L17-	3
480	55.5	1.3	630	55.5	11.509	29.745	B820	12L17-	3
500	53.3	0.9	450	53.3	11.094	30.985	B450	12L17-	3
521	51.1	1.5	820	51.1	12.843	32.291	B820	12L17-	3
524	50.9	1.1	600	50.9	12.199	32.439	B600	12L17-	3
526	50.7	2.0	1065	50.7	13.863	32.547	B1500	12L17-	3
577	46.2	1.0	600	46.2	12.717	35.740	B600	12L17-	3
578	46.1	2.0	1171	46.1	13.810	35.778	B1500	12L17-	3
583	45.7	1.4	820	45.7	12.820	36.102	B820	12L17-	3
597	44.6	1.0	600	44.6	11.080	36.999	B600	12L17-	3
597	44.6	1.1	654	44.6	11.236	37.000	B820	12L17-	3
622	42.8	1.9	1241	42.8	19.971	38.546	B4300	12L17-	3
660	40.3	2.3	1500	40.3	15.903	40.895	B1500	12L17-	3
667	39.9	1.2	820	39.9	12.239	41.325	B820	12L17-	3
677	39.3	0.9	600	39.3	11.276	41.940	B600	12L17-	3
726	36.7	2.1	1500	36.7	15.869	44.955	B1500	12L17-	3
730	36.5	1.1	820	36.5	12.081	45.207	B820	12L17-	3
739	36.1	0.8	600	35.0	12.162	45.739	B600	12L17-	3
752	35.4	1.6	1223	35.4	12.738	46.568	B1500	12L17-	3
790	33.7	2.0	1575	33.7	16.068	48.912	B2700	12L17-	3
808	33.0	0.7	600	30.9	12.017	50.036	B600	12L17-	3
816	32.6	1.0	820	32.6	12.070	50.543	B820	12L17-	3
838	31.8	1.4	1166	31.8	12.085	51.920	B1500	12L17-	3
873	30.5	1.7	1492	30.5	11.713	54.082	B2700	12L17-	3
895	29.8	0.7	600	29.8	11.478	55.447	B600	12L17-	3
922	28.9	1.4	1282	28.9	12.064	57.074	B1500	12L17-	3
931	28.6	0.9	820	28.6	11.719	57.662	B820	12L17-	3
943	28.2	1.6	1500	28.2	13.557	58.422	B1500	12L17-	3
947	28.1	3.0	2810	28.1	21.292	58.671	B4300	12L17-	3
959	27.8	1.7	1639	27.8	11.713	59.393	B2700	12L17-	3
1031	25.9	0.6	600	22.1	11.679	63.822	B600	12L17-	3
1036	25.7	3.0	3071	25.7	21.198	64.127	B4300	12L17-	3
1037	25.7	1.5	1500	25.7	13.540	64.221	B1500	12L17-	3
1041	25.6	0.8	820	25.6	11.712	64.468	B820	12L17-	3
1041	25.6	2.6	2700	25.6	19.770	64.452	B2700	12L17-	3
1141	23.4	0.7	820	23.4	11.491	70.636	B820	12L17-	3
1156	23.1	1.3	1500	23.1	12.918	71.566	B1500	12L17-	3
1165	22.9	0.5	600	22.9	11.137	72.170	B600	12L17-	3
1210	22.0	1.1	1318	22.0	11.506	74.963	B1500	12L17-	3
1241	21.5	1.4	1700	21.5	13.209	76.862	B2700	12L17-	3
1275	20.9	0.6	820	20.9	11.487	78.973	B820	12L17-	3

Technical data

Selection tables

Inverter mains connection 400 V, Forced-ventilated



Inverter operation							Geared motor		Number of stages
M_2	n_2	c	$M_{2, \max}$	$n_{2, \text{th}}$	J	i			
Nm	rpm		Nm	rpm	kgcm ²				
1336	19.9	0.9	1213	19.9	11.267	82.762	B1500	12L17-	3
1372	19.4	1.1	1568	19.4	12.523	84.940	B2700	12L17-	3
1469	18.1	0.9	1333	18.1	11.258	90.978	B1500	12L17-	3
1485	17.9	0.6	820	17.9	11.092	91.939	B820	12L17-	3
1504	17.7	1.0	1500	17.7	12.212	93.150	B1500	12L17-	3
1506	17.7	1.1	1722	17.7	12.504	93.283	B2700	12L17-	3
1574	16.9	1.7	2700	16.9	15.057	97.481	B2700	12L17-	3
1574	16.9	2.0	3138	16.9	15.594	97.453	B4300	12L17-	3
1653	16.1	0.9	1500	16.1	12.205	102.396	B1500	12L17-	3
1720	15.5	2.0	3430	15.5	15.560	106.517	B4300	12L17-	3
1729	15.4	1.6	2700	15.4	15.042	107.056	B2700	12L17-	3
1844	14.5	0.8	1500	14.5	11.713	114.166	B1500	12L17-	3
1911	13.9	1.4	2700	13.9	11.713	118.370	B2700	12L17-	3
1911	13.9	1.7	3265	13.9	11.713	118.336	B4300	12L17-	3
2027	13.1	0.7	1500	13.1	11.713	125.498	B1500	12L17-	3
2089	12.8	1.7	3569	12.8	11.713	129.342	B4300	12L17-	3
2099	12.7	1.3	2700	12.7	11.713	129.996	B2700	12L17-	3
2421	11.0	0.6	1500	11.0	11.303	149.949	B1500	12L17-	3
2473	10.8	1.4	3388	10.8	13.017	153.141	B4300	12L17-	3
2474	10.8	1.1	2700	10.8	12.799	153.185	B2700	12L17-	3
2662	10.0	0.6	1500	10.0	11.300	164.833	B1500	12L17-	3
2703	9.9	1.4	3703	9.9	13.003	167.383	B4300	12L17-	3
2717	9.8	1.0	2700	9.8	12.793	168.230	B2700	12L17-	3
2939	9.1	0.5	1500	9.1	11.121	181.983	B1500	12L17-	3
3001	8.9	1.1	3430	8.9	12.373	185.857	B4300	12L17-	3
3002	8.9	0.9	2700	8.9	12.226	185.911	B2700	12L17-	3
3280	8.1	1.1	3749	8.1	12.364	203.143	B4300	12L17-	3
3297	8.1	0.8	2700	8.1	12.222	204.170	B2700	12L17-	3
3794	7.0	0.9	3474	7.0	11.773	234.932	B4300	12L17-	3
3795	7.0	0.7	2700	7.0	11.680	235.000	B2700	12L17-	3
4146	6.4	0.9	3798	6.4	11.767	256.781	B4300	12L17-	3
4167	6.4	0.7	2700	6.4	11.678	258.080	B2700	12L17-	3



Technical data

Selection tables
Inverter mains connection 400 V, Forced-ventilated

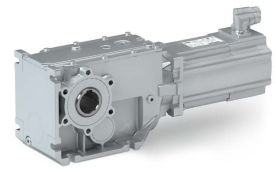
3 kW

Inverter operation							Geared motor		Number of stages
M_2	n_2	c	$M_{2, max}$	$n_{2, th}$	J	i			
Nm	rpm		Nm	rpm	kgcm ²				
111	242	2.8	258	242	25.722	4.958	B820	14H12-	3
112	240	2.5	260	240	18.560	5.002	B450	14H12-	3
113	237	3.3	264	237	20.931	5.067	B600	14H12-	3
152	177	2.6	354	177	20.911	6.800	B820	14H12-	3
153	175	2.0	308	175	16.682	6.860	B450	14H12-	3
153	175	4.4	357	175	36.152	6.866	B1500	14H12-	3
155	173	2.6	362	173	18.363	6.949	B600	14H12-	3
170	158	2.5	397	158	23.672	7.618	B820	14H12-	3
170	158	2.7	397	158	19.990	7.617	B600	14H12-	3
190	141	2.4	443	141	23.271	8.517	B820	14H12-	3
204	131	4.2	477	131	63.853	9.156	B4300	14H12-	3
208	129	1.8	368	129	17.406	9.315	B450	14H12-	3
212	126	3.9	495	126	27.264	9.516	B1500	14H12-	3
213	126	2.3	496	126	17.961	9.520	B820	14H12-	3
231	116	1.7	384	116	17.260	10.328	B450	14H12-	3
233	115	2.3	528	115	19.820	10.447	B820	14H12-	3
240	112	2.3	541	112	19.318	10.741	B600	14H12-	3
243	110	4.4	567	110	32.814	10.902	B1500	14H12-	3
261	103	2.2	569	103	19.607	11.680	B820	14H12-	3
268	100	4.4	624	100	32.332	11.985	B1500	14H12-	3
271	98.8	2.0	544	98.8	16.720	12.143	B820	14H12-	3
285	93.9	1.4	404	93.9	16.068	12.775	B450	14H12-	3
293	91.5	3.2	683	91.5	21.861	13.118	B1500	14H12-	3
298	89.8	1.9	553	89.8	16.706	13.369	B600	14H12-	3
298	89.8	2.1	619	89.8	17.901	13.370	B820	14H12-	3
316	84.7	1.3	422	84.7	15.991	14.165	B450	14H12-	3
326	82.0	2.0	653	82.0	17.404	14.626	B820	14H12-	3
329	81.5	1.8	600	81.5	17.506	14.730	B600	14H12-	3
337	79.4	3.9	787	79.4	25.526	15.111	B1500	14H12-	3
365	73.4	1.2	434	73.4	15.427	16.349	B450	14H12-	3
365	73.4	1.9	708	73.4	17.296	16.352	B820	14H12-	3
371	72.2	3.9	865	72.2	25.275	16.611	B1500	14H12-	3
378	71.0	4.2	880	71.0	53.864	16.913	B4300	14H12-	3
399	67.1	1.1	446	67.1	15.246	17.885	B450	14H12-	3
413	64.9	4.2	962	64.9	52.739	18.486	B4300	14H12-	3
415	64.5	3.4	968	64.5	22.397	18.598	B1500	14H12-	3
416	64.3	1.8	747	64.3	16.378	18.655	B820	14H12-	3
421	63.7	1.4	600	63.7	16.488	18.851	B600	14H12-	3
436	61.4	4.2	1017	61.4	33.948	19.542	B2700	14H12-	3
443	60.5	1.0	450	60.5	15.206	19.831	B450	14H12-	3
456	58.7	3.3	1064	58.7	22.231	20.444	B1500	14H12-	3
460	58.2	1.3	600	58.2	16.223	20.622	B600	14H12-	3
466	57.5	1.8	820	57.5	16.311	20.857	B820	14H12-	3
470	57.0	3.8	1097	57.0	44.559	21.065	B4300	14H12-	3
497	53.9	3.8	1159	53.9	30.087	22.269	B2700	14H12-	3
509	52.6	0.9	450	52.6	14.902	22.813	B450	14H12-	3
510	52.5	1.2	600	52.5	15.388	22.852	B600	14H12-	3
510	52.5	1.6	820	52.5	15.797	22.853	B820	14H12-	3
511	52.4	2.9	1192	52.4	20.815	22.898	B1500	14H12-	3
518	51.7	3.4	1208	51.7	36.967	23.206	B4300	14H12-	3
535	50.1	2.8	1248	50.1	24.392	23.973	B1500	14H12-	3

Technical data

Selection tables

Inverter mains connection 400 V, Forced-ventilated



Inverter operation							Geared motor		Number of stages
M_2	n_2	c	$M_{2, max}$	$n_{2, th}$	J	i			
Nm	rpm		Nm	rpm	kgcm ²				
546	49.1	3.8	1273	49.1	29.813	24.456	B2700	14H12-	3
565	47.4	0.8	450	47.4	14.878	25.294	B450	14H12-	3
566	47.3	1.1	600	47.3	16.377	25.347	B600	14H12-	3
566	47.3	3.4	1320	47.3	36.370	25.365	B4300	14H12-	3
570	47.0	1.4	820	47.0	15.753	25.550	B820	14H12-	3
582	46.0	1.0	600	46.0	17.082	26.061	B600	14H12-	3
588	45.6	1.4	820	45.6	17.277	26.324	B820	14H12-	3
588	45.5	2.6	1372	45.5	24.293	26.353	B1500	14H12-	3
599	44.8	3.4	1396	44.8	26.388	26.814	B2700	14H12-	3
652	41.1	2.3	1500	41.1	18.494	29.206	B1500	14H12-	3
657	40.8	3.4	1533	40.8	26.199	29.447	B2700	14H12-	3
664	40.3	0.9	600	40.3	14.920	29.744	B600	14H12-	3
664	40.3	1.2	820	40.3	15.109	29.745	B820	14H12-	3
694	38.6	2.9	1619	38.6	30.089	31.097	B4300	14H12-	3
721	37.2	1.1	820	37.2	16.443	32.291	B820	14H12-	3
724	37.0	0.8	600	37.0	15.799	32.439	B600	14H12-	3
727	36.9	2.1	1500	36.9	17.463	32.547	B1500	14H12-	3
734	36.5	2.9	1711	36.5	23.448	32.873	B2700	14H12-	3
798	33.6	0.8	600	33.6	16.317	35.740	B600	14H12-	3
799	33.5	1.9	1500	33.5	17.410	35.778	B1500	14H12-	3
806	33.2	1.0	820	33.2	16.420	36.102	B820	14H12-	3
806	33.2	2.9	1879	33.2	23.322	36.102	B2700	14H12-	3
815	32.9	1.8	1500	32.9	21.090	36.526	B1500	14H12-	3
860	31.1	2.3	1938	31.1	23.571	38.546	B4300	14H12-	3
913	29.3	1.6	1500	29.3	19.503	40.895	B1500	14H12-	3
922	29.0	0.9	820	29.0	15.839	41.325	B820	14H12-	3
936	28.6	0.6	600	28.6	14.876	41.940	B600	14H12-	3
954	28.1	4.2	2226	28.1	31.131	42.760	B4300	14H12-	3
955	28.1	2.8	2226	28.1	28.339	42.772	B2700	14H12-	3
1003	26.7	1.5	1500	26.7	19.469	44.955	B1500	14H12-	3
1009	26.5	0.8	820	26.5	15.681	45.207	B820	14H12-	3
1021	26.2	0.6	600	25.3	15.762	45.739	B600	14H12-	3
1039	25.8	1.4	1500	25.8	16.338	46.568	B1500	14H12-	3
1043	25.7	4.1	2433	25.7	30.955	46.737	B4300	14H12-	3
1049	25.5	2.6	2445	25.5	28.265	46.973	B2700	14H12-	3
1092	24.5	2.3	2460	24.5	19.668	48.912	B2700	14H12-	3
1117	24.0	0.5	600	22.3	15.617	50.036	B600	14H12-	3
1128	23.7	0.7	820	23.7	15.670	50.543	B820	14H12-	3
1159	23.1	1.3	1500	23.1	15.685	51.920	B1500	14H12-	3
1189	22.5	3.6	2772	22.5	27.783	53.258	B4300	14H12-	3
1207	22.2	1.9	2327	22.2	15.313	54.082	B2700	14H12-	3
1274	21.0	1.2	1500	21.0	15.664	57.074	B1500	14H12-	3
1287	20.8	0.6	820	20.8	15.319	57.662	B820	14H12-	3
1304	20.5	1.2	1500	20.5	17.157	58.422	B1500	14H12-	3
1310	20.5	3.3	3054	20.5	24.892	58.671	B4300	14H12-	3
1326	20.2	1.9	2556	20.2	15.313	59.393	B2700	14H12-	3
1431	18.7	3.0	3338	18.7	24.798	64.127	B4300	14H12-	3
1434	18.7	1.1	1500	18.7	17.140	64.221	B1500	14H12-	3
1439	18.6	0.6	820	18.6	15.312	64.468	B820	14H12-	3
1439	18.6	1.9	2700	18.6	23.370	64.452	B2700	14H12-	3
1577	17.0	0.5	820	17.0	15.091	70.636	B820	14H12-	3
1597	16.8	0.9	1500	16.8	16.518	71.566	B1500	14H12-	3



Technical data

Selection tables

Inverter mains connection 400 V, Forced-ventilated

Inverter operation							Geared motor		Number of stages
M_2	n_2	c	$M_{2, \max}$	$n_{2, \text{th}}$	J	i			
Nm	rpm		Nm	rpm	kgcm ²				
1606	16.7	1.7	2700	16.7	21.466	71.951	B2700	14H12-	3
1606	16.7	2.7	3744	16.7	22.453	71.930	B4300	14H12-	3
1716	15.6	1.5	2650	15.6	16.809	76.862	B2700	14H12-	3
1755	15.3	2.5	4092	15.3	22.391	78.619	B4300	14H12-	3
1896	14.1	1.3	2441	14.1	16.123	84.940	B2700	14H12-	3
2079	12.9	0.7	1500	12.9	15.812	93.150	B1500	14H12-	3
2082	12.9	1.3	2681	12.9	16.104	93.283	B2700	14H12-	3
2175	12.3	2.0	4300	12.3	19.194	97.453	B4300	14H12-	3
2176	12.3	1.2	2700	12.3	18.657	97.481	B2700	14H12-	3
2286	11.7	0.7	1500	11.7	15.805	102.396	B1500	14H12-	3
2378	11.3	1.8	4300	11.3	19.160	106.517	B4300	14H12-	3
2390	11.2	1.1	2700	11.2	18.642	107.056	B2700	14H12-	3
2548	10.5	0.6	1500	10.5	15.313	114.166	B1500	14H12-	3
2641	10.1	1.6	4300	10.1	15.313	118.336	B4300	14H12-	3
2642	10.1	1.0	2700	10.1	15.313	118.370	B2700	14H12-	3
2801	9.6	0.5	1500	9.6	15.313	125.498	B1500	14H12-	3
2887	9.3	1.5	4300	9.3	15.313	129.342	B4300	14H12-	3
2902	9.2	0.9	2700	9.2	15.313	129.996	B2700	14H12-	3
3418	7.8	1.3	4300	7.8	16.617	153.141	B4300	14H12-	3
3419	7.8	0.8	2700	7.8	16.399	153.185	B2700	14H12-	3
3736	7.2	1.2	4300	7.2	16.603	167.383	B4300	14H12-	3
3755	7.1	0.7	2700	7.1	16.393	168.230	B2700	14H12-	3
4149	6.5	1.0	4300	6.5	15.973	185.857	B4300	14H12-	3
4150	6.5	0.7	2700	6.5	15.826	185.911	B2700	14H12-	3
4534	5.9	1.0	4300	5.9	15.964	203.143	B4300	14H12-	3
4557	5.9	0.6	2700	5.9	15.822	204.170	B2700	14H12-	3

Technical data

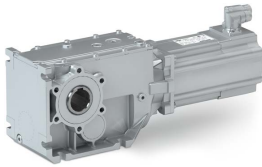
Selection tables

Inverter mains connection 400 V, Forced-ventilated



3.3 kW

Inverter operation							Geared motor		Number of stages
M_2	n_2	c	$M_{2, max}$	$n_{2, th}$	J	i			
Nm	rpm		Nm	rpm	kgcm ²				
49.0	605	5.0	137	516	19.622	4.958	B820	14D30-	3
50.0	600	4.5	138	590	12.460	5.002	B450	14D30-	3
51.0	592	5.9	140	521	14.831	5.067	B600	14D30-	3
68.0	441	4.6	187	428	14.811	6.800	B820	14D30-	3
68.0	437	3.6	189	437	10.582	6.860	B450	14D30-	3
69.0	432	4.6	191	419	12.263	6.949	B600	14D30-	3
76.0	394	4.4	210	327	17.572	7.618	B820	14D30-	3
76.0	394	4.8	210	333	13.890	7.617	B600	14D30-	3
85.0	352	4.3	235	291	17.171	8.517	B820	14D30-	3
93.0	322	3.1	257	296	11.306	9.315	B450	14D30-	3
95.0	315	4.2	262	315	11.861	9.520	B820	14D30-	3
103	291	3.0	285	263	11.160	10.328	B450	14D30-	3
104	287	4.0	288	272	13.720	10.447	B820	14D30-	3
107	279	4.0	296	228	13.218	10.741	B600	14D30-	3
116	257	3.9	322	241	13.507	11.680	B820	14D30-	3
121	247	3.6	334	247	10.620	12.143	B820	14D30-	3
127	235	2.5	352	235	9.968	12.775	B450	14D30-	3
131	229	5.6	361	229	15.761	13.118	B1500	14D30-	3
133	224	3.3	368	224	10.606	13.369	B600	14D30-	3
133	224	3.7	368	224	11.801	13.370	B820	14D30-	3
141	212	2.4	390	212	9.891	14.165	B450	14D30-	3
146	205	3.6	403	205	11.304	14.626	B820	14D30-	3
147	204	3.2	406	184	11.406	14.730	B600	14D30-	3
163	184	2.1	434	184	9.327	16.349	B450	14D30-	3
163	184	3.5	450	184	11.196	16.352	B820	14D30-	3
178	168	2.0	446	168	9.146	17.885	B450	14D30-	3
185	161	6.0	512	158	16.297	18.598	B1500	14D30-	3
186	161	3.2	514	161	10.278	18.655	B820	14D30-	3
188	159	2.5	519	159	10.388	18.851	B600	14D30-	3
198	151	1.8	450	151	9.106	19.831	B450	14D30-	3
204	147	5.8	563	144	16.131	20.444	B1500	14D30-	3
206	146	2.3	568	146	10.123	20.622	B600	14D30-	3
208	144	3.1	575	144	10.211	20.857	B820	14D30-	3
228	132	1.6	450	132	8.802	22.813	B450	14D30-	3
228	131	2.1	600	131	9.288	22.852	B600	14D30-	3
228	131	2.9	630	131	9.697	22.853	B820	14D30-	3
228	131	5.2	631	130	14.715	22.898	B1500	14D30-	3
231	129	6.0	639	127	30.867	23.206	B4300	14D30-	3
239	125	5.0	660	91.2	18.292	23.973	B1500	14D30-	3
252	119	1.4	450	119	8.778	25.294	B450	14D30-	3
253	118	1.9	600	93.4	10.277	25.347	B600	14D30-	3
253	118	6.0	699	116	30.270	25.365	B4300	14D30-	3
255	117	2.6	704	117	9.653	25.550	B820	14D30-	3
260	115	1.8	600	76.5	10.982	26.061	B600	14D30-	3
263	114	2.5	725	83.5	11.177	26.324	B820	14D30-	3
263	114	4.5	726	81.3	18.193	26.353	B1500	14D30-	3
267	112	6.0	739	110	20.288	26.814	B2700	14D30-	3
291	103	4.1	805	103	12.394	29.206	B1500	14D30-	3
294	102	6.0	811	100	20.099	29.447	B2700	14D30-	3
297	101	1.6	600	101	8.820	29.744	B600	14D30-	3
297	101	2.2	819	101	9.009	29.745	B820	14D30-	3



Technical data

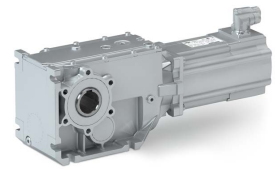
Selection tables
Inverter mains connection 400 V, Forced-ventilated

Inverter operation							Geared motor		Number of stages
M_2	n_2	c	$M_{2, \max}$	$n_{2, \text{th}}$	J	i			
Nm	rpm		Nm	rpm	kgcm ²				
310	96.5	5.1	857	96.5	23.989	31.097	B4300	14D30-	3
322	92.9	2.0	820	75.7	10.343	32.291	B820	14D30-	3
324	92.5	1.5	600	73.7	9.699	32.439	B600	14D30-	3
325	92.2	3.7	897	92.2	11.363	32.547	B1500	14D30-	3
328	91.3	5.1	906	91.3	17.348	32.873	B2700	14D30-	3
356	83.9	1.3	600	54.9	10.217	35.740	B600	14D30-	3
357	83.9	3.3	986	83.9	11.310	35.778	B1500	14D30-	3
360	83.1	1.8	820	64.0	10.320	36.102	B820	14D30-	3
360	83.1	5.1	994	83.1	17.222	36.102	B2700	14D30-	3
364	82.1	3.3	1006	62.9	14.990	36.526	B1500	14D30-	3
384	77.8	4.0	1062	77.8	17.471	38.546	B4300	14D30-	3
408	73.4	3.3	1126	63.8	13.403	40.895	B1500	14D30-	3
412	72.6	1.8	820	64.8	9.739	41.325	B820	14D30-	3
418	71.5	1.3	600	71.5	8.776	41.940	B600	14D30-	3
427	70.1	5.7	1178	55.2	22.239	42.772	B2700	14D30-	3
448	66.7	3.0	1238	56.9	13.369	44.955	B1500	14D30-	3
451	66.4	1.6	820	58.6	9.581	45.207	B820	14D30-	3
456	65.6	1.2	600	46.7	9.662	45.739	B600	14D30-	3
464	64.4	2.9	1283	64.4	10.238	46.568	B1500	14D30-	3
468	63.9	5.2	1294	49.3	22.165	46.973	B2700	14D30-	3
488	61.3	4.6	1347	61.3	13.568	48.912	B2700	14D30-	3
499	60.0	1.1	600	43.1	9.517	50.036	B600	14D30-	3
504	59.4	1.5	820	49.4	9.570	50.543	B820	14D30-	3
518	57.8	2.6	1430	57.8	9.585	51.920	B1500	14D30-	3
539	55.5	3.9	1490	55.5	9.213	54.082	B2700	14D30-	3
553	54.1	1.0	600	49.0	8.978	55.447	B600	14D30-	3
560	53.4	0.7	450	37.9	8.575	56.154	B450	14D30-	3
569	52.6	2.4	1500	52.6	9.564	57.074	B1500	14D30-	3
575	52.0	1.3	820	46.5	9.219	57.662	B820	14D30-	3
583	51.4	2.3	1500	50.6	11.057	58.422	B1500	14D30-	3
592	50.5	3.9	1636	50.5	9.213	59.393	B2700	14D30-	3
621	48.2	0.7	450	30.9	8.571	62.262	B450	14D30-	3
637	47.0	0.9	600	32.3	9.179	63.822	B600	14D30-	3
641	46.7	2.1	1500	45.1	11.040	64.221	B1500	14D30-	3
643	46.5	1.2	820	39.7	9.212	64.468	B820	14D30-	3
643	46.5	3.8	1775	41.7	17.270	64.452	B2700	14D30-	3
704	42.5	1.1	820	40.1	8.991	70.636	B820	14D30-	3
714	41.9	1.9	1500	41.9	10.418	71.566	B1500	14D30-	3
717	41.7	5.4	1981	41.7	16.353	71.930	B4300	14D30-	3
718	41.7	3.4	1982	39.7	15.366	71.951	B2700	14D30-	3
720	41.6	0.8	600	34.8	8.637	72.170	B600	14D30-	3
767	39.0	3.1	2117	39.0	10.709	76.862	B2700	14D30-	3
780	38.4	0.7	600	24.6	8.965	78.182	B600	14D30-	3
784	38.2	5.0	2166	38.2	16.291	78.619	B4300	14D30-	3
788	38.0	0.9	820	33.0	8.987	78.973	B820	14D30-	3
847	35.3	2.6	2340	35.3	10.023	84.940	B2700	14D30-	3
917	32.6	0.8	820	29.3	8.592	91.939	B820	14D30-	3
929	32.2	1.5	1500	32.2	9.712	93.150	B1500	14D30-	3
930	32.2	2.6	2570	32.2	10.004	93.283	B2700	14D30-	3
972	30.8	2.5	2685	30.8	12.557	97.481	B2700	14D30-	3
972	30.8	4.0	2684	30.8	13.094	97.453	B4300	14D30-	3
1015	29.5	0.5	600	17.5	8.629	101.760	B600	14D30-	3

Technical data

Selection tables

Inverter mains connection 400 V, Forced-ventilated



Inverter operation							Geared motor		Number of stages
M_2	n_2	c	$M_{2, \max}$	$n_{2, \text{th}}$	J	i			
Nm	rpm		Nm	rpm	kgcm ²				
1021	29.3	1.3	1500	29.3	9.705	102.396	B1500	14D30-	3
1025	29.2	0.7	820	23.5	8.589	102.790	B820	14D30-	3
1062	28.2	3.7	2934	28.2	13.060	106.517	B4300	14D30-	3
1068	28.0	2.3	2700	28.0	12.542	107.056	B2700	14D30-	3
1139	26.3	1.3	1500	26.3	9.213	114.166	B1500	14D30-	3
1180	25.4	3.6	3260	25.4	9.213	118.336	B4300	14D30-	3
1181	25.3	2.3	2700	25.3	9.213	118.370	B2700	14D30-	3
1252	23.9	1.2	1500	23.9	9.213	125.498	B1500	14D30-	3
1290	23.2	3.3	3563	23.2	9.213	129.342	B4300	14D30-	3
1297	23.1	2.1	2700	23.1	9.213	129.996	B2700	14D30-	3
1527	19.6	2.8	4218	19.6	10.517	153.141	B4300	14D30-	3
1528	19.6	1.8	2700	19.6	10.299	153.185	B2700	14D30-	3
1669	17.9	2.6	4300	17.9	10.503	167.383	B4300	14D30-	3
1678	17.8	1.6	2700	17.8	10.293	168.230	B2700	14D30-	3
1854	16.1	1.5	2700	16.1	9.726	185.911	B2700	14D30-	3
1854	16.1	2.3	4300	16.1	9.873	185.857	B4300	14D30-	3
2026	14.8	2.1	4300	14.8	9.864	203.143	B4300	14D30-	3
2036	14.7	1.3	2700	14.7	9.722	204.170	B2700	14D30-	3



Technical data

Selection tables

Inverter mains connection 400 V, Forced-ventilated

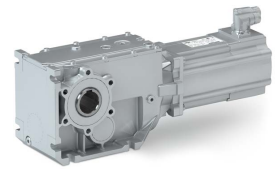
3.7 kW

Inverter operation						i	Geared motor		Number of stages
M ₂	n ₂	c	M _{2, max}	n _{2, th}	J				
Nm	rpm		Nm	rpm	kgcm ²				
36.0	947	3.0	98.0	763	10.272	3.565	B240	12H34-	2
49.0	690	2.3	135	621	9.044	4.889	B240	12H34-	2
49.0	681	4.2	137	497	18.822	4.958	B820	12H34-	3
50.0	675	3.4	138	558	11.660	5.002	B450	12H34-	3
51.0	666	4.2	140	487	14.031	5.067	B600	12H34-	3
62.0	539	1.9	156	511	8.451	6.257	B240	12H34-	2
68.0	496	3.5	187	405	14.011	6.800	B820	12H34-	3
68.0	492	2.8	189	461	9.782	6.860	B450	12H34-	3
69.0	490	2.0	179	364	8.974	6.883	B240	12H34-	2
69.0	486	3.5	191	397	11.463	6.949	B600	12H34-	3
76.0	443	4.2	210	324	13.090	7.617	B600	12H34-	3
76.0	443	4.2	210	324	16.772	7.618	B820	12H34-	3
78.0	432	1.8	187	305	8.813	7.817	B240	12H34-	2
85.0	396	4.1	235	289	16.371	8.517	B820	12H34-	3
93.0	362	3.0	257	293	10.506	9.315	B450	12H34-	3
94.0	358	1.6	191	272	8.354	9.440	B240	12H34-	2
95.0	355	2.8	262	332	11.061	9.520	B820	12H34-	3
103	327	2.8	285	261	10.360	10.328	B450	12H34-	3
104	323	3.5	288	264	12.920	10.447	B820	12H34-	3
107	315	1.5	204	232	8.268	10.720	B240	12H34-	2
107	314	3.9	296	226	12.418	10.741	B600	12H34-	3
116	289	3.5	322	236	12.707	11.680	B820	12H34-	3
121	279	1.3	208	221	8.029	12.081	B240	12H34-	2
121	278	2.4	334	278	9.820	12.143	B820	12H34-	3
127	264	2.4	352	240	9.168	12.775	B450	12H34-	3
131	257	3.5	361	209	14.961	13.118	B1500	12H34-	3
133	252	2.9	368	231	9.806	13.369	B600	12H34-	3
133	252	2.9	368	231	11.001	13.370	B820	12H34-	3
137	246	1.2	217	188	7.977	13.719	B240	12H34-	2
141	238	2.3	390	214	9.091	14.165	B450	12H34-	3
146	231	2.8	403	216	10.504	14.626	B820	12H34-	3
147	229	3.1	406	183	10.606	14.730	B600	12H34-	3
150	225	1.1	223	176	7.886	15.008	B240	12H34-	2
163	206	2.0	434	200	8.527	16.349	B450	12H34-	3
163	206	2.8	450	194	10.396	16.352	B820	12H34-	3
168	200	1.1	240	180	7.747	16.857	B240	12H34-	2
178	189	1.9	446	186	8.346	17.885	B450	12H34-	3
185	182	3.7	512	143	15.497	18.598	B1500	12H34-	3
186	181	2.4	514	181	9.478	18.655	B820	12H34-	3
188	179	2.4	519	157	9.588	18.851	B600	12H34-	3
191	176	1.0	240	147	7.720	19.143	B240	12H34-	2
198	170	1.7	450	160	8.306	19.831	B450	12H34-	3
204	165	3.7	563	130	15.331	20.444	B1500	12H34-	3
206	164	2.2	568	146	9.323	20.622	B600	12H34-	3
206	163	0.9	240	145	7.640	20.650	B240	12H34-	2
208	162	2.4	575	162	9.411	20.857	B820	12H34-	3
228	148	1.5	450	148	8.002	22.813	B450	12H34-	3
228	148	2.0	600	148	8.488	22.852	B600	12H34-	3
228	148	2.0	605	148	8.897	22.853	B820	12H34-	3
228	147	3.5	631	120	13.915	22.898	B1500	12H34-	3
231	145	3.7	639	115	30.067	23.206	B4300	12H34-	3

Technical data

Selection tables

Inverter mains connection 400 V, Forced-ventilated



Inverter operation							Geared motor		Number of stages
M_2	n_2	c	$M_{2, max}$	$n_{2, th}$	J	i			
Nm	rpm		Nm	rpm	kgcm ²				
234	144	0.8	240	112	7.622	23.450	B240	12H34-	2
252	133	1.4	450	133	7.978	25.294	B450	12H34-	3
253	133	1.8	600	91.3	9.477	25.347	B600	12H34-	3
253	133	3.7	699	105	29.470	25.365	B4300	12H34-	3
255	132	2.0	676	132	8.853	25.550	B820	12H34-	3
260	130	1.8	600	74.8	10.182	26.061	B600	12H34-	3
263	128	2.4	725	82.7	10.377	26.324	B820	12H34-	3
267	126	3.7	739	99.4	19.488	26.814	B2700	12H34-	3
279	121	1.2	450	121	7.810	27.945	B450	12H34-	3
291	116	2.9	805	106	11.594	29.206	B1500	12H34-	3
294	115	3.7	811	90.5	19.299	29.447	B2700	12H34-	3
297	114	1.5	600	114	8.020	29.744	B600	12H34-	3
297	114	1.6	630	114	8.209	29.745	B820	12H34-	3
309	109	1.1	450	109	7.794	30.985	B450	12H34-	3
322	105	1.9	820	74.7	9.543	32.291	B820	12H34-	3
324	104	1.4	600	72.1	8.899	32.439	B600	12H34-	3
325	104	2.5	897	101	10.563	32.547	B1500	12H34-	3
356	94.4	1.3	600	53.9	9.417	35.740	B600	12H34-	3
357	94.3	2.5	986	92.1	10.510	35.778	B1500	12H34-	3
360	93.5	1.7	820	62.6	9.520	36.102	B820	12H34-	3
369	91.2	1.2	600	91.2	7.780	36.999	B600	12H34-	3
369	91.2	1.4	654	91.2	7.936	37.000	B820	12H34-	3
384	87.6	2.5	1062	84.7	16.671	38.546	B4300	12H34-	3
408	82.5	3.2	1126	63.3	12.603	40.895	B1500	12H34-	3
412	81.7	1.7	820	63.3	8.939	41.325	B820	12H34-	3
418	80.5	1.2	600	80.5	7.976	41.940	B600	12H34-	3
448	75.1	2.9	1238	56.4	12.569	44.955	B1500	12H34-	3
451	74.7	1.6	820	57.3	8.781	45.207	B820	12H34-	3
456	73.8	1.1	600	45.8	8.862	45.739	B600	12H34-	3
464	72.5	2.3	1223	72.5	9.438	46.568	B1500	12H34-	3
488	69.0	2.8	1347	68.4	12.768	48.912	B2700	12H34-	3
499	67.5	1.0	600	42.3	8.717	50.036	B600	12H34-	3
504	66.8	1.4	820	48.4	8.770	50.543	B820	12H34-	3
518	65.0	2.0	1166	65.0	8.785	51.920	B1500	12H34-	3
539	62.4	2.4	1490	62.4	8.413	54.082	B2700	12H34-	3
553	60.9	0.9	600	47.1	8.178	55.447	B600	12H34-	3
560	60.1	0.7	450	36.5	7.775	56.154	B450	12H34-	3
569	59.1	2.0	1282	59.1	8.764	57.074	B1500	12H34-	3
575	58.5	1.2	820	45.7	8.419	57.662	B820	12H34-	3
583	57.8	2.2	1500	50.2	10.257	58.422	B1500	12H34-	3
585	57.5	4.2	1616	46.7	17.992	58.671	B4300	12H34-	3
592	56.8	2.4	1636	56.8	8.413	59.393	B2700	12H34-	3
621	54.2	0.6	450	29.7	7.771	62.262	B450	12H34-	3
637	52.9	0.8	600	31.1	8.379	63.822	B600	12H34-	3
640	52.6	4.2	1766	42.7	17.898	64.127	B4300	12H34-	3
641	52.6	2.0	1500	44.7	10.240	64.221	B1500	12H34-	3
643	52.4	1.1	820	39.1	8.412	64.468	B820	12H34-	3
643	52.4	3.6	1775	41.3	16.470	64.452	B2700	12H34-	3
686	49.1	0.6	450	27.8	7.659	68.788	B450	12H34-	3
704	47.8	1.0	820	39.5	8.191	70.636	B820	12H34-	3
714	47.2	1.8	1500	42.1	9.618	71.566	B1500	12H34-	3
720	46.8	0.7	600	33.5	7.837	72.170	B600	12H34-	3



Technical data

Selection tables
Inverter mains connection 400 V, Forced-ventilated

Inverter operation							Geared motor		Number of stages
M_2	n_2	c	$M_{2, \max}$	$n_{2, \text{th}}$	J	i			
Nm	rpm		Nm	rpm	kgcm ²				
748	45.0	1.5	1318	45.0	8.206	74.963	B1500	12H34-	3
761	44.2	0.5	450	22.6	7.656	76.271	B450	12H34-	3
767	43.9	1.9	1700	43.9	9.909	76.862	B2700	12H34-	3
780	43.2	0.7	600	23.7	8.165	78.182	B600	12H34-	3
788	42.7	0.9	820	31.7	8.187	78.973	B820	12H34-	3
825	40.8	1.3	1213	40.8	7.967	82.762	B1500	12H34-	3
847	39.7	1.6	1568	39.7	9.223	84.940	B2700	12H34-	3
895	37.6	0.6	600	25.4	7.661	89.772	B600	12H34-	3
907	37.1	1.3	1333	37.1	7.958	90.978	B1500	12H34-	3
917	36.7	0.8	820	28.2	7.792	91.939	B820	12H34-	3
929	36.2	1.4	1500	34.4	8.912	93.150	B1500	12H34-	3
930	36.2	1.6	1722	36.2	9.204	93.283	B2700	12H34-	3
972	34.6	2.4	2685	33.3	11.757	97.481	B2700	12H34-	3
972	34.6	2.8	2684	34.3	12.294	97.453	B4300	12H34-	3
1015	33.2	0.5	600	16.8	7.829	101.760	B600	12H34-	3
1021	33.0	1.3	1500	29.9	8.905	102.396	B1500	12H34-	3
1025	32.8	0.7	820	22.6	7.789	102.790	B820	12H34-	3
1062	31.7	2.8	2934	31.4	12.260	106.517	B4300	12H34-	3
1068	31.5	2.2	2700	29.8	11.742	107.056	B2700	12H34-	3
1139	29.6	1.3	1500	29.6	8.413	114.166	B1500	12H34-	3
1141	29.5	0.7	820	23.7	7.666	114.364	B820	12H34-	3
1180	28.5	2.7	3260	28.5	8.413	118.336	B4300	12H34-	3
1181	28.5	2.2	2700	28.5	8.413	118.370	B2700	12H34-	3
1252	26.9	1.2	1500	26.8	8.413	125.498	B1500	12H34-	3
1275	26.4	0.6	820	19.0	7.665	127.861	B820	12H34-	3
1290	26.1	2.7	3563	26.1	8.413	129.342	B4300	12H34-	3
1297	26.0	2.0	2700	26.0	8.413	129.996	B2700	12H34-	3
1496	22.5	1.0	1500	22.5	8.003	149.949	B1500	12H34-	3
1527	22.0	2.1	3388	22.0	9.717	153.141	B4300	12H34-	3
1528	22.0	1.7	2700	22.0	9.499	153.185	B2700	12H34-	3
1644	20.5	0.9	1500	20.5	8.000	164.833	B1500	12H34-	3
1669	20.2	2.1	3703	20.2	9.703	167.383	B4300	12H34-	3
1678	20.1	1.6	2700	20.1	9.493	168.230	B2700	12H34-	3
1815	18.5	0.8	1500	18.5	7.821	181.983	B1500	12H34-	3
1854	18.2	1.4	2700	18.2	8.926	185.911	B2700	12H34-	3
1854	18.2	1.8	3430	18.2	9.073	185.857	B4300	12H34-	3
1995	16.9	0.7	1500	16.9	7.819	200.048	B1500	12H34-	3
2026	16.6	1.8	3749	16.6	9.064	203.143	B4300	12H34-	3
2036	16.5	1.3	2700	16.5	8.922	204.170	B2700	12H34-	3
2343	14.4	1.4	3474	14.4	8.473	234.932	B4300	12H34-	3
2344	14.4	1.1	2700	14.4	8.380	235.000	B2700	12H34-	3
2561	13.1	1.4	3798	13.1	8.467	256.781	B4300	12H34-	3
2574	13.1	1.0	2700	13.1	8.378	258.080	B2700	12H34-	3

Technical data

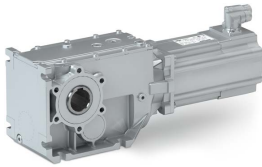
Selection tables

Inverter mains connection 400 V, Forced-ventilated



4.3 kW

Inverter operation							Geared motor		Number of stages
M_2	n_2	c	$M_{2, max}$	$n_{2, th}$	J	i			
Nm	rpm		Nm	rpm	kgcm ²				
144	272	2.2	312	272	34.922	4.958	B820	14L14-	3
145	270	1.9	280	270	27.760	5.002	B450	14L14-	3
147	266	2.6	371	266	30.131	5.067	B600	14L14-	3
197	199	2.0	391	199	30.111	6.800	B820	14L14-	3
199	197	1.6	308	197	25.882	6.860	B450	14L14-	3
199	197	3.4	503	197	45.352	6.866	B1500	14L14-	3
201	194	2.0	398	194	27.563	6.949	B600	14L14-	3
221	177	1.9	424	177	32.872	7.618	B820	14L14-	3
221	177	2.1	462	177	29.190	7.617	B600	14L14-	3
247	159	1.9	459	159	32.471	8.517	B820	14L14-	3
265	147	3.2	671	147	73.053	9.156	B4300	14L14-	3
270	145	1.4	368	145	26.606	9.315	B450	14L14-	3
276	142	3.0	697	142	36.464	9.516	B1500	14L14-	3
276	142	1.8	496	142	27.161	9.520	B820	14L14-	3
299	131	1.3	384	131	26.460	10.328	B450	14L14-	3
303	129	1.8	528	129	29.020	10.447	B820	14L14-	3
311	126	1.7	541	126	28.518	10.741	B600	14L14-	3
316	124	3.4	798	124	42.014	10.902	B1500	14L14-	3
338	116	1.7	569	116	28.807	11.680	B820	14L14-	3
347	113	3.4	878	113	41.532	11.985	B1500	14L14-	3
352	111	1.6	544	111	25.920	12.143	B820	14L14-	3
370	106	1.1	404	106	25.268	12.775	B450	14L14-	3
380	103	2.4	923	103	31.061	13.118	B1500	14L14-	3
387	101	1.4	553	101	25.906	13.369	B600	14L14-	3
387	101	1.6	619	101	27.101	13.370	B820	14L14-	3
410	95.3	1.0	422	95.3	25.191	14.165	B450	14L14-	3
424	92.3	1.5	653	92.3	26.604	14.626	B820	14L14-	3
427	91.6	1.4	600	91.6	26.706	14.730	B600	14L14-	3
438	89.3	3.0	1107	89.3	34.726	15.111	B1500	14L14-	3
474	82.6	0.9	434	82.6	24.627	16.349	B450	14L14-	3
474	82.6	1.5	708	82.6	26.496	16.352	B820	14L14-	3
481	81.3	3.0	1217	81.3	34.475	16.611	B1500	14L14-	3
490	79.8	3.2	1239	79.8	63.064	16.913	B4300	14L14-	3
518	75.5	0.9	446	75.5	24.446	17.885	B450	14L14-	3
536	73.0	3.2	1354	73.0	61.939	18.486	B4300	14L14-	3
539	72.6	2.6	1362	72.6	31.597	18.598	B1500	14L14-	3
540	72.4	1.4	747	72.4	25.578	18.655	B820	14L14-	3
546	71.6	1.1	600	71.6	25.688	18.851	B600	14L14-	3
566	69.1	3.2	1431	69.1	43.148	19.542	B2700	14L14-	3
575	68.1	0.8	450	68.1	24.406	19.831	B450	14L14-	3
592	66.0	2.5	1497	66.0	31.431	20.444	B1500	14L14-	3
597	65.5	1.0	600	65.5	25.423	20.622	B600	14L14-	3
604	64.7	1.4	820	64.7	25.511	20.857	B820	14L14-	3
610	64.1	3.0	1543	64.1	53.759	21.065	B4300	14L14-	3
645	60.6	3.0	1631	60.6	39.287	22.269	B2700	14L14-	3
661	59.2	0.7	450	59.2	24.102	22.813	B450	14L14-	3
662	59.1	0.9	600	59.1	24.588	22.852	B600	14L14-	3
662	59.1	1.2	820	59.1	24.997	22.853	B820	14L14-	3
663	59.0	2.3	1500	59.0	30.015	22.898	B1500	14L14-	3
672	58.2	2.6	1699	58.2	46.167	23.206	B4300	14L14-	3
695	56.3	2.2	1500	56.3	33.592	23.973	B1500	14L14-	3



Technical data

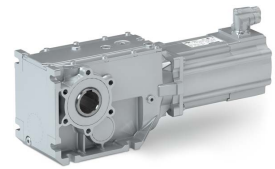
Selection tables
Inverter mains connection 400 V, Forced-ventilated

Inverter operation							Geared motor		Number of stages
M_2	n_2	c	$M_{2, \max}$	$n_{2, \text{th}}$	J	i			
Nm	rpm		Nm	rpm	kgcm ²				
709	55.2	3.0	1791	55.2	39.013	24.456	B2700	14L14-	3
733	53.4	0.6	450	53.4	24.078	25.294	B450	14L14-	3
734	53.3	0.8	600	53.3	25.577	25.347	B600	14L14-	3
735	53.2	2.6	1858	53.2	45.570	25.365	B4300	14L14-	3
740	52.8	1.1	820	52.8	24.953	25.550	B820	14L14-	3
755	51.8	0.8	600	44.5	26.282	26.061	B600	14L14-	3
763	51.3	1.1	820	51.3	26.477	26.324	B820	14L14-	3
763	51.2	2.0	1500	51.2	33.493	26.353	B1500	14L14-	3
777	50.3	2.6	1964	50.3	35.588	26.814	B2700	14L14-	3
846	46.2	1.8	1500	46.2	27.694	29.206	B1500	14L14-	3
853	45.8	2.6	2157	45.8	35.399	29.447	B2700	14L14-	3
862	45.4	0.7	600	45.4	24.120	29.744	B600	14L14-	3
862	45.4	1.0	820	45.4	24.309	29.745	B820	14L14-	3
901	43.4	2.2	2001	43.4	39.289	31.097	B4300	14L14-	3
935	41.8	0.9	820	41.8	25.643	32.291	B820	14L14-	3
940	41.6	0.6	600	38.8	24.999	32.439	B600	14L14-	3
943	41.5	1.6	1500	41.5	26.663	32.547	B1500	14L14-	3
952	41.1	2.2	2115	41.1	32.648	32.873	B2700	14L14-	3
1035	37.8	0.6	600	27.8	25.517	35.740	B600	14L14-	3
1037	37.7	1.5	1500	37.7	26.610	35.778	B1500	14L14-	3
1046	37.4	0.8	820	37.2	25.620	36.102	B820	14L14-	3
1046	37.4	2.2	2323	37.4	32.522	36.102	B2700	14L14-	3
1058	37.0	1.4	1500	37.0	30.290	36.526	B1500	14L14-	3
1117	35.0	1.7	1938	35.0	32.771	38.546	B4300	14L14-	3
1185	33.0	1.3	1500	33.0	28.703	40.895	B1500	14L14-	3
1197	32.7	0.7	820	32.7	25.039	41.325	B820	14L14-	3
1239	31.6	2.2	2700	31.6	37.539	42.772	B2700	14L14-	3
1239	31.6	3.2	3132	31.6	40.331	42.760	B4300	14L14-	3
1302	30.0	1.2	1500	30.0	28.669	44.955	B1500	14L14-	3
1310	29.9	0.6	820	28.8	24.881	45.207	B820	14L14-	3
1349	29.0	1.1	1500	29.0	25.538	46.568	B1500	14L14-	3
1354	28.9	3.2	3423	28.9	40.155	46.737	B4300	14L14-	3
1361	28.7	2.0	2700	28.7	37.465	46.973	B2700	14L14-	3
1417	27.6	1.7	2460	27.6	28.868	48.912	B2700	14L14-	3
1464	26.7	0.6	820	23.0	24.870	50.543	B820	14L14-	3
1504	26.0	1.0	1500	26.0	24.885	51.920	B1500	14L14-	3
1543	25.3	2.8	3900	25.3	36.983	53.258	B4300	14L14-	3
1567	25.0	1.5	2327	25.0	24.513	54.082	B2700	14L14-	3
1653	23.7	0.9	1500	23.7	24.864	57.074	B1500	14L14-	3
1693	23.1	0.9	1500	23.1	26.357	58.422	B1500	14L14-	3
1700	23.0	2.5	4297	23.0	34.092	58.671	B4300	14L14-	3
1721	22.7	1.5	2556	22.7	24.513	59.393	B2700	14L14-	3
1858	21.1	2.3	4300	21.1	33.998	64.127	B4300	14L14-	3
1861	21.0	0.8	1500	21.0	26.340	64.221	B1500	14L14-	3
1867	20.9	1.5	2700	20.9	32.570	64.452	B2700	14L14-	3
2073	18.9	0.7	1500	18.9	25.718	71.566	B1500	14L14-	3
2084	18.8	1.3	2700	18.8	30.666	71.951	B2700	14L14-	3
2084	18.8	2.1	4300	18.8	31.653	71.930	B4300	14L14-	3
2227	17.6	1.2	2650	17.6	26.009	76.862	B2700	14L14-	3
2278	17.2	1.9	4300	17.2	31.591	78.619	B4300	14L14-	3
2461	15.9	1.0	2441	15.9	25.323	84.940	B2700	14L14-	3
2699	14.5	0.6	1500	14.5	25.012	93.150	B1500	14L14-	3

Technical data

Selection tables

Inverter mains connection 400 V, Forced-ventilated



Inverter operation							Geared motor		Number of stages
M_2	n_2	c	$M_{2, \max}$	$n_{2, \text{th}}$	J	i			
Nm	rpm		Nm	rpm	kgcm ²				
2702	14.5	1.0	2681	14.5	25.304	93.283	B2700	14L14-	3
2823	13.9	1.5	4300	13.9	28.394	97.453	B4300	14L14-	3
2824	13.8	1.0	2700	13.8	27.857	97.481	B2700	14L14-	3
2967	13.2	0.5	1500	13.2	25.005	102.396	B1500	14L14-	3
3086	12.7	1.4	4300	12.7	28.360	106.517	B4300	14L14-	3
3101	12.6	0.9	2700	12.6	27.842	107.056	B2700	14L14-	3
3428	11.4	1.3	4300	11.4	24.513	118.336	B4300	14L14-	3
3429	11.4	0.8	2700	11.4	24.513	118.370	B2700	14L14-	3
3747	10.4	1.2	4300	10.4	24.513	129.342	B4300	14L14-	3
3766	10.4	0.7	2700	10.4	24.513	129.996	B2700	14L14-	3
4437	8.8	1.0	4300	8.8	25.817	153.141	B4300	14L14-	3
4438	8.8	0.6	2700	8.8	25.599	153.185	B2700	14L14-	3
4849	8.1	0.9	4300	8.1	25.803	167.383	B4300	14L14-	3
4874	8.0	0.6	2700	8.0	25.593	168.230	B2700	14L14-	3
5384	7.3	0.8	4300	7.3	25.173	185.857	B4300	14L14-	3
5386	7.3	0.5	2700	7.3	25.026	185.911	B2700	14L14-	3
5885	6.6	0.7	4300	6.6	25.164	203.143	B4300	14L14-	3



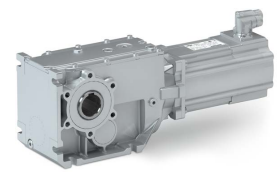
4.6 kW

Inverter operation							Geared motor		Number of stages
M_2	n_2	c	$M_{2, max}$	$n_{2, th}$	J	i			
Nm	rpm		Nm	rpm	kgcm ²				
198	212	1.6	312	212	46.222	4.958	B820	14P11-	3
200	210	1.4	280	210	39.060	5.002	B450	14P11-	3
202	207	1.9	376	207	41.431	5.067	B600	14P11-	3
271	154	1.4	391	154	41.411	6.800	B820	14P11-	3
274	153	1.1	308	153	37.182	6.860	B450	14P11-	3
274	153	2.5	670	153	56.652	6.866	B1500	14P11-	3
277	151	1.4	398	151	38.863	6.949	B600	14P11-	3
304	138	1.4	424	138	44.172	7.618	B820	14P11-	3
304	138	1.5	462	138	40.490	7.617	B600	14P11-	3
340	123	1.4	459	123	43.771	8.517	B820	14P11-	3
365	115	2.3	855	115	84.353	9.156	B4300	14P11-	3
372	113	1.0	368	113	37.906	9.315	B450	14P11-	3
380	110	1.3	496	110	38.461	9.520	B820	14P11-	3
380	110	2.2	822	110	47.764	9.516	B1500	14P11-	3
412	102	0.9	384	102	37.760	10.328	B450	14P11-	3
417	101	1.3	528	101	40.320	10.447	B820	14P11-	3
428	97.8	1.3	541	97.8	39.818	10.741	B600	14P11-	3
435	96.3	2.5	1064	96.3	53.314	10.902	B1500	14P11-	3
466	89.9	1.2	569	89.9	40.107	11.680	B820	14P11-	3
478	87.6	2.5	1170	87.6	52.832	11.985	B1500	14P11-	3
484	86.5	1.1	544	86.5	37.220	12.143	B820	14P11-	3
510	82.2	0.8	404	82.2	36.568	12.775	B450	14P11-	3
523	80.0	1.8	923	80.0	42.361	13.118	B1500	14P11-	3
533	78.5	1.0	553	78.5	37.206	13.369	B600	14P11-	3
533	78.5	1.2	619	78.5	38.401	13.370	B820	14P11-	3
565	74.1	0.8	422	74.1	36.491	14.165	B450	14P11-	3
583	71.8	1.1	653	71.8	37.904	14.626	B820	14P11-	3
588	71.3	1.0	600	71.3	38.006	14.730	B600	14P11-	3
603	69.5	2.2	1305	69.5	46.026	15.111	B1500	14P11-	3
652	64.2	0.7	434	64.2	35.927	16.349	B450	14P11-	3
652	64.2	1.1	708	64.2	37.796	16.352	B820	14P11-	3
663	63.2	2.2	1435	63.2	45.775	16.611	B1500	14P11-	3
675	62.1	2.3	1580	62.1	74.364	16.913	B4300	14P11-	3
714	58.7	0.6	446	58.7	35.746	17.885	B450	14P11-	3
737	56.8	2.3	1727	56.8	73.239	18.486	B4300	14P11-	3
742	56.5	1.9	1396	56.5	42.897	18.598	B1500	14P11-	3
744	56.3	1.0	747	56.3	36.878	18.655	B820	14P11-	3
752	55.7	0.8	600	55.7	36.988	18.851	B600	14P11-	3
780	53.7	2.3	1826	53.7	54.448	19.542	B2700	14P11-	3
791	52.9	0.6	450	52.9	35.706	19.831	B450	14P11-	3
816	51.4	1.8	1500	51.4	42.731	20.444	B1500	14P11-	3
823	50.9	0.7	600	50.9	36.723	20.622	B600	14P11-	3
832	50.3	1.0	820	50.3	36.811	20.857	B820	14P11-	3
840	49.8	2.1	1802	49.8	65.059	21.065	B4300	14P11-	3
888	47.2	2.1	1905	47.2	50.587	22.269	B2700	14P11-	3
912	45.9	0.7	600	45.9	35.888	22.852	B600	14P11-	3
912	45.9	0.9	820	45.9	36.297	22.853	B820	14P11-	3
913	45.9	1.6	1500	45.9	41.315	22.898	B1500	14P11-	3
926	45.2	1.9	1740	45.2	57.467	23.206	B4300	14P11-	3
956	43.8	1.6	1500	43.8	44.892	23.973	B1500	14P11-	3
976	42.9	2.1	2092	42.9	50.313	24.456	B2700	14P11-	3

Technical data

Selection tables

Inverter mains connection 400 V, Forced-ventilated



Inverter operation							Geared motor		Number of stages
M_2	n_2	c	$M_{2, \max}$	$n_{2, \text{th}}$	J	i			
Nm	rpm		Nm	rpm	kgcm ²				
1011	41.4	0.6	600	40.1	36.877	25.347	B600	14P11-	3
1012	41.4	1.9	1901	41.4	56.870	25.365	B4300	14P11-	3
1019	41.1	0.8	820	41.1	36.253	25.550	B820	14P11-	3
1040	40.3	0.6	600	32.3	37.582	26.061	B600	14P11-	3
1050	39.9	0.8	820	39.9	37.777	26.324	B820	14P11-	3
1051	39.8	1.4	1500	39.8	44.793	26.353	B1500	14P11-	3
1070	39.2	1.9	2010	39.2	46.888	26.814	B2700	14P11-	3
1165	36.0	1.3	1500	36.0	38.994	29.206	B1500	14P11-	3
1175	35.7	1.9	2207	35.7	46.699	29.447	B2700	14P11-	3
1187	35.3	0.5	600	35.3	35.420	29.744	B600	14P11-	3
1187	35.3	0.7	820	35.3	35.609	29.745	B820	14P11-	3
1241	33.8	1.6	2001	33.8	50.589	31.097	B4300	14P11-	3
1288	32.5	0.6	820	32.5	36.943	32.291	B820	14P11-	3
1298	32.3	1.2	1500	32.3	37.963	32.547	B1500	14P11-	3
1311	31.9	1.6	2115	31.9	43.948	32.873	B2700	14P11-	3
1427	29.3	1.1	1500	29.3	37.910	35.778	B1500	14P11-	3
1440	29.1	0.6	820	27.0	36.920	36.102	B820	14P11-	3
1440	29.1	1.6	2323	29.1	43.822	36.102	B2700	14P11-	3
1457	28.7	1.0	1500	28.7	41.590	36.526	B1500	14P11-	3
1538	27.2	1.3	1938	27.2	44.071	38.546	B4300	14P11-	3
1631	25.7	0.9	1500	25.7	40.003	40.895	B1500	14P11-	3
1706	24.6	2.3	3995	24.6	51.631	42.760	B4300	14P11-	3
1706	24.5	1.6	2700	24.5	48.839	42.772	B2700	14P11-	3
1793	23.4	0.8	1500	23.4	39.969	44.955	B1500	14P11-	3
1858	22.5	0.8	1500	22.5	36.838	46.568	B1500	14P11-	3
1865	22.5	2.3	4300	22.5	51.455	46.737	B4300	14P11-	3
1874	22.4	1.4	2700	22.4	48.765	46.973	B2700	14P11-	3
1951	21.5	1.3	2460	21.5	40.168	48.912	B2700	14P11-	3
2071	20.2	0.7	1500	20.2	36.185	51.920	B1500	14P11-	3
2125	19.7	2.0	4300	19.7	48.283	53.258	B4300	14P11-	3
2158	19.4	1.1	2327	19.4	35.813	54.082	B2700	14P11-	3
2277	18.4	0.7	1500	18.4	36.164	57.074	B1500	14P11-	3
2331	18.0	0.6	1500	18.0	37.657	58.422	B1500	14P11-	3
2341	17.9	1.8	4300	17.9	45.392	58.671	B4300	14P11-	3
2369	17.7	1.1	2556	17.7	35.813	59.393	B2700	14P11-	3
2558	16.4	1.7	4300	16.4	45.298	64.127	B4300	14P11-	3
2562	16.3	0.6	1500	16.3	37.640	64.221	B1500	14P11-	3
2571	16.3	1.1	2700	16.3	43.870	64.452	B2700	14P11-	3
2855	14.7	0.5	1500	14.7	37.018	71.566	B1500	14P11-	3
2870	14.6	0.9	2700	14.6	41.966	71.951	B2700	14P11-	3
2870	14.6	1.5	4300	14.6	42.953	71.930	B4300	14P11-	3
3066	13.7	0.9	2650	13.7	37.309	76.862	B2700	14P11-	3
3136	13.4	1.4	4300	13.4	42.891	78.619	B4300	14P11-	3
3389	12.4	0.7	2441	12.4	36.623	84.940	B2700	14P11-	3
3721	11.3	0.7	2681	11.3	36.604	93.283	B2700	14P11-	3
3888	10.8	1.1	4300	10.8	39.694	97.453	B4300	14P11-	3
3889	10.8	0.7	2700	10.8	39.157	97.481	B2700	14P11-	3
4249	9.9	1.0	4300	9.9	39.660	106.517	B4300	14P11-	3
4271	9.8	0.6	2700	9.8	39.142	107.056	B2700	14P11-	3
4721	8.9	0.9	4300	8.9	35.813	118.336	B4300	14P11-	3
4722	8.9	0.6	2700	8.9	35.813	118.370	B2700	14P11-	3
5160	8.1	0.8	4300	8.1	35.813	129.342	B4300	14P11-	3



Technical data

Selection tables
 Inverter mains connection 400 V, Forced-ventilated

Inverter operation						Geared motor			Number of stages
M_2	n_2	c	$M_{2, \max}$	$n_{2, \text{th}}$	J	i			
Nm	rpm		Nm	rpm	kgcm ²				
5186	8.1	0.5	2700	8.1	35.813	129.996	B2700	14P11-	3
6109	6.9	0.7	4300	6.9	37.117	153.141	B4300	14P11-	3
6678	6.3	0.6	4300	6.3	37.103	167.383	B4300	14P11-	3
7415	5.6	0.6	4300	5.6	36.473	185.857	B4300	14P11-	3
8104	5.2	0.5	4300	5.2	36.464	203.143	B4300	14P11-	3

Technical data

Selection tables

Inverter mains connection 400 V, Forced-ventilated



4.8 kW

Inverter operation						i	Geared motor		Number of stages
M ₂	n ₂	c	M _{2, max}	n _{2, th}	J				
Nm	rpm		Nm	rpm	kgcm ²				
198	219	5.3	448	219	190.776	5.488	B4300	19F12-	3
248	175	3.4	561	175	86.952	6.866	B1500	19F12-	3
250	174	5.3	565	174	114.215	6.918	B2700	19F12-	3
252	172	4.8	570	172	146.324	6.976	B4300	19F12-	3
317	137	4.8	718	137	98.939	8.793	B2700	19F12-	3
330	131	4.0	748	131	114.653	9.156	B4300	19F12-	3
343	126	2.9	777	126	78.064	9.516	B1500	19F12-	3
366	118	5.3	828	118	162.972	10.137	B4300	19F12-	3
394	110	3.4	891	110	83.614	10.902	B1500	19F12-	3
400	108	5.3	905	108	159.840	11.080	B4300	19F12-	3
423	103	5.2	957	103	107.531	11.713	B2700	19F12-	3
433	100	3.4	979	100	83.132	11.985	B1500	19F12-	3
464	93.3	4.9	1051	93.3	106.539	12.863	B2700	19F12-	3
465	93.1	4.8	1053	93.1	129.116	12.885	B4300	19F12-	3
473	91.5	2.4	1072	91.5	72.661	13.118	B1500	19F12-	3
508	85.2	4.8	1150	85.2	127.177	14.084	B4300	19F12-	3
537	80.6	4.4	1216	80.6	94.802	14.888	B2700	19F12-	3
545	79.4	2.8	1234	79.4	76.326	15.111	B1500	19F12-	3
590	73.4	4.1	1336	73.4	94.188	16.351	B2700	19F12-	3
600	72.2	2.5	1357	72.2	76.075	16.611	B1500	19F12-	3
610	71.0	4.0	1382	71.0	104.664	16.913	B4300	19F12-	3
667	64.9	4.0	1510	64.9	103.539	18.486	B4300	19F12-	3
671	64.5	2.2	1500	64.5	73.197	18.598	B1500	19F12-	3
705	61.4	3.7	1596	61.4	84.748	19.542	B2700	19F12-	3
738	58.7	2.0	1500	58.7	73.031	20.444	B1500	19F12-	3
760	57.0	3.7	1721	57.0	95.359	21.065	B4300	19F12-	3
804	53.9	3.3	1819	53.9	80.887	22.269	B2700	19F12-	3
826	52.4	1.8	1500	52.4	71.615	22.898	B1500	19F12-	3
838	51.7	3.2	1896	51.7	87.767	23.206	B4300	19F12-	3
865	50.1	1.7	1500	50.1	75.192	23.973	B1500	19F12-	3
883	49.1	3.1	1998	49.1	80.613	24.456	B2700	19F12-	3
916	47.3	3.2	2072	47.3	87.170	25.365	B4300	19F12-	3
951	45.5	1.6	1500	45.5	75.093	26.353	B1500	19F12-	3
968	44.8	2.8	2190	44.8	77.188	26.814	B2700	19F12-	3
1011	42.8	4.3	2288	42.8	99.200	28.013	B4300	19F12-	3
1063	40.8	2.5	2405	40.8	76.999	29.447	B2700	19F12-	3
1122	38.6	2.8	2540	38.6	80.889	31.097	B4300	19F12-	3
1187	36.5	2.3	2685	36.5	74.248	32.873	B2700	19F12-	3
1285	33.7	3.4	2909	33.7	89.646	35.607	B4300	19F12-	3
1303	33.2	2.1	2700	33.2	74.122	36.102	B2700	19F12-	3
1318	32.9	1.1	1500	32.9	71.890	36.526	B1500	19F12-	3
1476	29.3	1.0	1500	29.3	70.303	40.895	B1500	19F12-	3
1543	28.1	2.8	3493	28.1	81.931	42.760	B4300	19F12-	3
1544	28.1	1.8	2700	28.1	79.139	42.772	B2700	19F12-	3
1623	26.7	0.9	1500	26.7	70.269	44.955	B1500	19F12-	3
1687	25.7	2.6	3818	25.7	81.755	46.737	B4300	19F12-	3
1695	25.5	1.6	2700	25.5	79.065	46.973	B2700	19F12-	3
1922	22.5	2.2	4300	22.5	78.583	53.258	B4300	19F12-	3
2118	20.5	2.0	4300	20.5	75.692	58.671	B4300	19F12-	3
2315	18.7	1.9	4300	18.7	75.598	64.127	B4300	19F12-	3
2326	18.6	1.2	2700	18.6	74.170	64.452	B2700	19F12-	3



Technical data

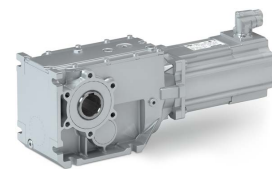
Selection tables
 Inverter mains connection 400 V, Forced-ventilated

Inverter operation						Geared motor		Number of stages	
M_2	n_2	c	$M_{2, \max}$	$n_{2, \text{th}}$	J	i			
Nm	rpm		Nm	rpm	kgcm ²				
2596	16.7	1.7	4300	16.7	73.253	71.930	B4300	19F12-	3
2597	16.7	1.0	2700	16.7	72.266	71.951	B2700	19F12-	3
2838	15.3	1.5	4300	15.3	73.191	78.619	B4300	19F12-	3

Technical data

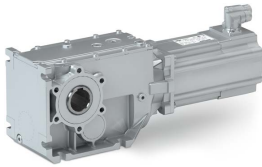
Selection tables

Inverter mains connection 400 V, Forced-ventilated



5.7 kW

Inverter operation						i	Geared motor		Number of stages
M ₂	n ₂	c	M _{2, max}	n _{2, th}	J				
Nm	rpm		Nm	rpm	kgcm ²				
47.0	1094	2.1	138	709	13.572	3.565	B240	12L39-	2
65.0	798	1.6	147	542	12.344	4.889	B240	12L39-	2
66.0	787	3.0	266	463	22.122	4.958	B820	12L39-	3
67.0	780	2.4	221	520	14.960	5.002	B450	12L39-	3
67.0	770	3.0	271	453	17.331	5.067	B600	12L39-	3
83.0	623	1.4	156	433	11.751	6.257	B240	12L39-	2
90.0	574	2.5	310	377	17.311	6.800	B820	12L39-	3
91.0	569	2.0	253	430	13.082	6.860	B450	12L39-	3
92.0	567	1.4	179	303	12.274	6.883	B240	12L39-	2
92.0	561	2.5	317	369	14.763	6.949	B600	12L39-	3
101	512	3.0	408	301	16.390	7.617	B600	12L39-	3
101	512	3.0	408	301	20.072	7.618	B820	12L39-	3
104	499	1.3	187	256	12.113	7.817	B240	12L39-	2
113	458	3.0	456	268	19.671	8.517	B820	12L39-	3
124	419	2.2	368	273	13.806	9.315	B450	12L39-	3
126	413	1.1	191	230	11.654	9.440	B240	12L39-	2
127	410	2.0	349	310	14.361	9.520	B820	12L39-	3
137	378	2.0	384	242	13.660	10.328	B450	12L39-	3
139	373	2.5	476	245	16.220	10.447	B820	12L39-	3
143	364	1.0	204	197	11.568	10.720	B240	12L39-	2
143	363	2.8	541	210	15.718	10.741	B600	12L39-	3
155	334	2.5	532	220	16.007	11.680	B820	12L39-	3
161	323	0.9	208	186	11.329	12.081	B240	12L39-	2
161	321	1.7	374	250	13.120	12.143	B820	12L39-	3
170	305	1.7	404	213	12.468	12.775	B450	12L39-	3
174	297	2.5	594	195	18.261	13.118	B1500	12L39-	3
178	292	2.1	512	215	13.106	13.369	B600	12L39-	3
178	292	2.1	512	215	14.301	13.370	B820	12L39-	3
182	284	0.9	217	151	11.277	13.719	B240	12L39-	2
188	275	1.6	422	186	12.391	14.165	B450	12L39-	3
194	267	2.0	535	202	13.804	14.626	B820	12L39-	3
196	265	2.2	600	170	13.906	14.730	B600	12L39-	3
200	260	0.8	223	137	11.186	15.008	B240	12L39-	2
217	239	1.5	434	171	11.827	16.349	B450	12L39-	3
217	239	2.0	599	180	13.696	16.352	B820	12L39-	3
224	231	0.8	240	136	11.047	16.857	B240	12L39-	2
238	218	1.4	446	159	11.646	17.885	B450	12L39-	3
247	210	2.6	890	133	18.797	18.598	B1500	12L39-	3
248	209	1.7	575	163	12.778	18.655	B820	12L39-	3
251	207	1.7	600	139	12.888	18.851	B600	12L39-	3
255	204	0.7	240	105	11.020	19.143	B240	12L39-	2
264	197	1.2	450	138	11.606	19.831	B450	12L39-	3
272	191	2.6	978	121	18.631	20.444	B1500	12L39-	3
274	189	1.6	600	126	12.623	20.622	B600	12L39-	3
275	189	0.6	240	104	10.940	20.650	B240	12L39-	2
277	187	1.7	643	146	12.711	20.857	B820	12L39-	3
303	171	1.1	450	133	11.302	22.813	B450	12L39-	3
304	171	1.4	600	143	11.788	22.852	B600	12L39-	3
304	171	1.5	605	144	12.197	22.853	B820	12L39-	3
304	170	2.5	1036	112	17.215	22.898	B1500	12L39-	3
309	168	2.6	1111	107	33.367	23.206	B4300	12L39-	3



Technical data

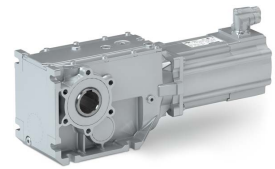
Selection tables
Inverter mains connection 400 V, Forced-ventilated

Inverter operation						Geared motor			Number of stages
M_2	n_2	c	$M_{2, \max}$	$n_{2, \text{th}}$	J	i			
Nm	rpm		Nm	rpm	kgcm ²				
312	166	0.6	240	80.3	10.922	23.450	B240	12L39-	2
336	154	1.0	450	113	11.278	25.294	B450	12L39-	3
337	154	1.3	600	76.2	12.777	25.347	B600	12L39-	3
337	154	2.6	1215	97.5	32.770	25.365	B4300	12L39-	3
340	153	1.5	676	129	12.153	25.550	B820	12L39-	3
347	150	1.3	600	62.4	13.482	26.061	B600	12L39-	3
350	148	1.7	820	72.6	13.677	26.324	B820	12L39-	3
357	145	2.6	1284	92.3	22.788	26.814	B2700	12L39-	3
372	140	0.9	450	106	11.110	27.945	B450	12L39-	3
388	134	2.1	1113	98.9	14.894	29.206	B1500	12L39-	3
392	132	2.6	1410	84.0	22.599	29.447	B2700	12L39-	3
396	131	1.1	600	116	11.320	29.744	B600	12L39-	3
396	131	1.2	630	119	11.509	29.745	B820	12L39-	3
412	126	0.8	450	86.3	11.094	30.985	B450	12L39-	3
429	121	1.4	820	62.0	12.843	32.291	B820	12L39-	3
431	120	1.0	600	61.1	12.199	32.439	B600	12L39-	3
433	120	1.8	1065	91.7	13.863	32.547	B1500	12L39-	3
475	109	0.9	600	44.0	12.717	35.740	B600	12L39-	3
476	109	1.8	1171	83.4	13.810	35.778	B1500	12L39-	3
480	108	1.2	820	52.4	12.820	36.102	B820	12L39-	3
492	105	0.9	600	94.1	11.080	36.999	B600	12L39-	3
492	105	1.0	654	103	11.236	37.000	B820	12L39-	3
513	101	1.8	1241	76.2	19.971	38.546	B4300	12L39-	3
544	95.4	2.3	1500	58.6	15.903	40.895	B1500	12L39-	3
550	94.4	1.2	820	52.7	12.239	41.325	B820	12L39-	3
558	93.0	0.9	600	70.9	11.276	41.940	B600	12L39-	3
598	86.8	2.1	1500	52.1	15.869	44.955	B1500	12L39-	3
601	86.3	1.1	820	48.5	12.081	45.207	B820	12L39-	3
608	85.3	0.8	600	35.1	12.162	45.739	B600	12L39-	3
619	83.7	1.6	1223	74.4	12.738	46.568	B1500	12L39-	3
650	79.7	2.0	1575	64.0	16.068	48.912	B2700	12L39-	3
665	77.9	0.8	600	31.0	12.017	50.036	B600	12L39-	3
672	77.2	1.0	820	41.3	12.070	50.543	B820	12L39-	3
690	75.1	1.4	1166	70.1	12.085	51.920	B1500	12L39-	3
719	72.1	1.7	1492	63.3	11.713	54.082	B2700	12L39-	3
737	70.3	0.7	600	33.7	11.478	55.447	B600	12L39-	3
759	68.3	1.4	1282	63.8	12.064	57.074	B1500	12L39-	3
767	67.6	0.9	820	37.2	11.719	57.662	B820	12L39-	3
777	66.8	1.6	1500	43.2	13.557	58.422	B1500	12L39-	3
780	66.5	3.0	2810	43.4	21.292	58.671	B4300	12L39-	3
790	65.7	1.7	1639	57.7	11.713	59.393	B2700	12L39-	3
849	61.1	0.6	600	22.2	11.679	63.822	B600	12L39-	3
853	60.8	3.0	3071	39.7	21.198	64.127	B4300	12L39-	3
854	60.7	1.5	1500	37.3	13.540	64.221	B1500	12L39-	3
857	60.5	0.8	820	29.7	11.712	64.468	B820	12L39-	3
857	60.5	2.6	2700	38.3	19.770	64.452	B2700	12L39-	3
939	55.2	0.7	820	28.4	11.491	70.636	B820	12L39-	3
952	54.5	1.3	1500	35.6	12.918	71.566	B1500	12L39-	3
960	54.0	0.5	600	23.9	11.137	72.170	B600	12L39-	3
997	52.0	1.1	1318	52.0	11.506	74.963	B1500	12L39-	3
1022	50.7	1.4	1700	46.9	13.209	76.862	B2700	12L39-	3
1050	49.4	0.7	820	22.7	11.487	78.973	B820	12L39-	3

Technical data

Selection tables

Inverter mains connection 400 V, Forced-ventilated



Inverter operation							Geared motor		Number of stages
M_2	n_2	c	$M_{2, \max}$	$n_{2, \text{th}}$	J	i			
Nm	rpm		Nm	rpm	kgcm ²				
1101	47.1	0.9	1213	47.1	11.267	82.762	B1500	12L39-	3
1130	45.9	1.2	1568	45.5	12.523	84.940	B2700	12L39-	3
1210	42.9	0.9	1333	42.9	11.258	90.978	B1500	12L39-	3
1223	42.4	0.6	820	20.2	11.092	91.939	B820	12L39-	3
1239	41.9	1.0	1500	29.5	12.212	93.150	B1500	12L39-	3
1240	41.8	1.2	1722	41.4	12.504	93.283	B2700	12L39-	3
1296	40.0	1.7	2700	29.8	15.057	97.481	B2700	12L39-	3
1296	40.0	2.0	3138	32.1	15.594	97.453	B4300	12L39-	3
1362	38.1	0.9	1500	24.4	12.205	102.396	B1500	12L39-	3
1416	36.6	2.0	3430	29.4	15.560	106.517	B4300	12L39-	3
1424	36.4	1.6	2700	25.8	15.042	107.056	B2700	12L39-	3
1518	34.2	0.9	1500	25.3	11.713	114.166	B1500	12L39-	3
1574	33.0	1.9	3265	30.7	11.713	118.336	B4300	12L39-	3
1574	32.9	1.6	2700	27.6	11.713	118.370	B2700	12L39-	3
1669	31.1	0.8	1500	20.9	11.713	125.498	B1500	12L39-	3
1720	30.2	1.9	3569	28.1	11.713	129.342	B4300	12L39-	3
1729	30.0	1.4	2700	23.9	11.713	129.996	B2700	12L39-	3
1994	26.0	0.7	1500	18.0	11.303	149.949	B1500	12L39-	3
2036	25.5	1.5	3388	24.6	13.017	153.141	B4300	12L39-	3
2037	25.5	1.2	2700	22.3	12.799	153.185	B2700	12L39-	3
2192	23.7	0.6	1500	14.9	11.300	164.833	B1500	12L39-	3
2226	23.3	1.5	3703	22.5	13.003	167.383	B4300	12L39-	3
2237	23.2	1.1	2700	19.6	12.793	168.230	B2700	12L39-	3
2420	21.4	0.6	1500	14.3	11.121	181.983	B1500	12L39-	3
2472	21.0	1.0	2700	19.9	12.226	185.911	B2700	12L39-	3
2472	21.0	1.3	3430	21.0	12.373	185.857	B4300	12L39-	3
2660	19.5	0.5	1500	19.5	11.119	200.048	B1500	12L39-	3
2701	19.2	1.3	3749	19.2	12.364	203.143	B4300	12L39-	3
2715	19.1	0.9	2700	19.1	12.222	204.170	B2700	12L39-	3
3124	16.6	1.0	3474	16.6	11.773	234.932	B4300	12L39-	3
3125	16.6	0.8	2700	16.6	11.680	235.000	B2700	12L39-	3
3415	15.2	1.0	3798	15.2	11.767	256.781	B4300	12L39-	3
3432	15.1	0.7	2700	15.1	11.678	258.080	B2700	12L39-	3



Technical data

Selection tables
Inverter mains connection 400 V, Forced-ventilated

6 kW

Inverter operation						i	Geared motor		Number of stages
M ₂	n ₂	c	M _{2, max}	n _{2, th}	J				
Nm	rpm		Nm	rpm	kgcm ²				
97.0	560	2.6	258	449	25.722	4.958	B820	14H28-	3
97.0	555	2.3	260	517	18.560	5.002	B450	14H28-	3
99.0	548	3.1	264	456	20.931	5.067	B600	14H28-	3
132	408	2.4	354	374	20.911	6.800	B820	14H28-	3
134	405	1.9	308	405	16.682	6.860	B450	14H28-	3
134	404	4.1	357	305	36.152	6.866	B1500	14H28-	3
135	399	2.4	362	366	18.363	6.949	B600	14H28-	3
148	364	2.3	397	284	23.672	7.618	B820	14H28-	3
148	364	2.5	397	290	19.990	7.617	B600	14H28-	3
166	326	2.3	443	252	23.271	8.517	B820	14H28-	3
178	303	3.9	477	238	63.853	9.156	B4300	14H28-	3
181	298	1.7	368	242	17.406	9.315	B450	14H28-	3
185	292	3.6	495	247	27.264	9.516	B1500	14H28-	3
185	292	2.2	496	292	17.961	9.520	B820	14H28-	3
201	269	1.6	384	211	17.260	10.328	B450	14H28-	3
203	266	2.1	528	237	19.820	10.447	B820	14H28-	3
209	258	2.1	541	197	19.318	10.741	B600	14H28-	3
212	255	4.1	567	192	32.814	10.902	B1500	14H28-	3
227	238	2.0	569	210	19.607	11.680	B820	14H28-	3
233	232	4.1	624	175	32.332	11.985	B1500	14H28-	3
236	229	1.9	544	229	16.720	12.143	B820	14H28-	3
249	217	1.3	404	185	16.068	12.775	B450	14H28-	3
255	212	2.9	683	202	21.861	13.118	B1500	14H28-	3
260	208	1.7	553	196	16.706	13.369	B600	14H28-	3
260	208	1.9	619	208	17.901	13.370	B820	14H28-	3
276	196	1.3	422	162	15.991	14.165	B450	14H28-	3
285	190	1.9	653	190	17.404	14.626	B820	14H28-	3
287	188	1.7	600	152	17.506	14.730	B600	14H28-	3
294	184	3.6	787	156	25.526	15.111	B1500	14H28-	3
318	170	1.1	434	152	15.427	16.349	B450	14H28-	3
318	170	1.8	708	170	17.296	16.352	B820	14H28-	3
323	167	3.6	865	142	25.275	16.611	B1500	14H28-	3
329	164	3.9	880	129	53.864	16.913	B4300	14H28-	3
348	155	1.0	446	143	15.246	17.885	B450	14H28-	3
360	150	3.9	962	118	52.739	18.486	B4300	14H28-	3
362	149	3.1	968	139	22.397	18.598	B1500	14H28-	3
363	149	1.7	747	149	16.378	18.655	B820	14H28-	3
367	147	1.3	600	120	16.488	18.851	B600	14H28-	3
381	142	3.9	1017	112	33.948	19.542	B2700	14H28-	3
386	140	1.0	450	121	15.206	19.831	B450	14H28-	3
398	136	3.1	1064	126	22.231	20.444	B1500	14H28-	3
402	135	1.2	600	110	16.223	20.622	B600	14H28-	3
406	133	1.6	820	133	16.311	20.857	B820	14H28-	3
410	132	3.6	1097	111	44.559	21.065	B4300	14H28-	3
434	125	3.6	1159	105	30.087	22.269	B2700	14H28-	3
444	122	0.8	450	106	14.902	22.813	B450	14H28-	3
445	121	1.1	600	121	15.388	22.852	B600	14H28-	3
445	121	1.5	820	121	15.797	22.853	B820	14H28-	3
446	121	2.7	1192	114	20.815	22.898	B1500	14H28-	3
452	120	3.1	1208	111	36.967	23.206	B4300	14H28-	3
467	116	2.6	1248	78.6	24.392	23.973	B1500	14H28-	3

Technical data

Selection tables

Inverter mains connection 400 V, Forced-ventilated



Inverter operation							Geared motor		Number of stages
M_2	n_2	c	$M_{2, max}$	$n_{2, th}$	J	i			
Nm	rpm		Nm	rpm	kgcm ²				
476	114	3.6	1273	95.8	29.813	24.456	B2700	14H28-	3
493	110	0.7	450	86.5	14.878	25.294	B450	14H28-	3
494	110	1.0	600	67.0	16.377	25.347	B600	14H28-	3
494	109	3.1	1320	102	36.370	25.365	B4300	14H28-	3
498	109	1.3	820	109	15.753	25.550	B820	14H28-	3
507	107	1.0	600	54.0	17.082	26.061	B600	14H28-	3
513	105	1.3	820	62.8	17.277	26.324	B820	14H28-	3
513	105	2.4	1372	69.8	24.293	26.353	B1500	14H28-	3
522	104	3.1	1396	96.1	26.388	26.814	B2700	14H28-	3
569	95.0	2.2	1500	95.0	18.494	29.206	B1500	14H28-	3
573	94.2	3.1	1533	87.5	26.199	29.447	B2700	14H28-	3
579	93.3	0.8	600	93.3	14.920	29.744	B600	14H28-	3
579	93.3	1.2	820	93.3	15.109	29.745	B820	14H28-	3
606	89.2	2.7	1619	87.5	30.089	31.097	B4300	14H28-	3
629	85.9	1.1	820	54.5	16.443	32.291	B820	14H28-	3
632	85.5	0.8	600	47.0	15.799	32.439	B600	14H28-	3
634	85.3	1.9	1500	85.3	17.463	32.547	B1500	14H28-	3
640	84.4	2.7	1711	82.8	23.448	32.873	B2700	14H28-	3
696	77.6	0.7	600	33.7	16.317	35.740	B600	14H28-	3
697	77.6	1.8	1500	77.6	17.410	35.778	B1500	14H28-	3
703	76.9	1.0	820	45.1	16.420	36.102	B820	14H28-	3
703	76.9	2.7	1879	75.4	23.322	36.102	B2700	14H28-	3
711	76.0	1.7	1500	51.5	21.090	36.526	B1500	14H28-	3
751	72.0	2.1	1938	72.0	23.571	38.546	B4300	14H28-	3
796	67.9	1.7	1500	52.5	19.503	40.895	B1500	14H28-	3
805	67.2	0.9	820	45.0	15.839	41.325	B820	14H28-	3
817	66.2	0.7	600	54.2	14.876	41.940	B600	14H28-	3
833	64.9	3.0	2226	48.1	28.339	42.772	B2700	14H28-	3
833	64.9	4.4	2226	52.4	31.131	42.760	B4300	14H28-	3
875	61.7	1.6	1500	45.2	19.469	44.955	B1500	14H28-	3
880	61.4	0.9	820	39.7	15.681	45.207	B820	14H28-	3
891	60.7	0.6	600	26.9	15.762	45.739	B600	14H28-	3
907	59.6	1.5	1500	59.6	16.338	46.568	B1500	14H28-	3
910	59.4	4.4	2433	47.8	30.955	46.737	B4300	14H28-	3
915	59.1	2.7	2445	42.9	28.265	46.973	B2700	14H28-	3
952	56.7	2.4	2460	56.7	19.668	48.912	B2700	14H28-	3
974	55.5	0.6	600	23.7	15.617	50.036	B600	14H28-	3
984	54.9	0.8	820	31.7	15.670	50.543	B820	14H28-	3
1011	53.4	1.4	1500	53.4	15.685	51.920	B1500	14H28-	3
1037	52.1	3.8	2772	44.7	27.783	53.258	B4300	14H28-	3
1053	51.3	2.1	2327	51.3	15.313	54.082	B2700	14H28-	3
1080	50.0	0.5	600	25.8	15.078	55.447	B600	14H28-	3
1111	48.6	1.3	1500	48.6	15.664	57.074	B1500	14H28-	3
1123	48.1	0.7	820	28.4	15.319	57.662	B820	14H28-	3
1138	47.5	1.2	1500	37.5	17.157	58.422	B1500	14H28-	3
1142	47.3	3.5	3054	44.9	24.892	58.671	B4300	14H28-	3
1157	46.7	2.1	2556	46.7	15.313	59.393	B2700	14H28-	3
1249	43.3	3.2	3338	40.3	24.798	64.127	B4300	14H28-	3
1251	43.2	1.1	1500	32.6	17.140	64.221	B1500	14H28-	3
1255	43.1	2.0	2700	36.1	23.370	64.452	B2700	14H28-	3
1255	43.0	0.6	820	22.7	15.312	64.468	B820	14H28-	3
1375	39.3	0.6	820	21.7	15.091	70.636	B820	14H28-	3



Technical data

Selection tables

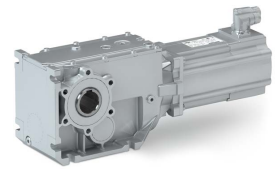
Inverter mains connection 400 V, Forced-ventilated

Inverter operation							Geared motor		Number of stages
M_2	n_2	c	$M_{2, \max}$	$n_{2, \text{th}}$	J	i			
Nm	rpm		Nm	rpm	kgcm ²				
1394	38.8	1.0	1500	31.8	16.518	71.566	B1500	14H28-	3
1401	38.6	1.8	2700	33.5	21.466	71.951	B2700	14H28-	3
1401	38.6	2.8	3744	38.3	22.453	71.930	B4300	14H28-	3
1497	36.1	1.6	2650	36.1	16.809	76.862	B2700	14H28-	3
1531	35.3	2.6	4092	34.4	22.391	78.619	B4300	14H28-	3
1654	32.7	1.4	2441	32.7	16.123	84.940	B2700	14H28-	3
1814	29.8	0.8	1500	22.6	15.812	93.150	B1500	14H28-	3
1816	29.7	1.4	2681	29.7	16.104	93.283	B2700	14H28-	3
1898	28.5	1.3	2700	26.1	18.657	97.481	B2700	14H28-	3
1898	28.5	2.1	4300	28.5	19.194	97.453	B4300	14H28-	3
1994	27.1	0.7	1500	18.7	15.805	102.396	B1500	14H28-	3
2074	26.1	1.9	4300	26.1	19.160	106.517	B4300	14H28-	3
2085	25.9	1.2	2700	22.8	18.642	107.056	B2700	14H28-	3
2223	24.3	0.7	1500	18.9	15.313	114.166	B1500	14H28-	3
2304	23.5	1.9	4300	23.5	15.313	118.336	B4300	14H28-	3
2305	23.4	1.2	2700	23.4	15.313	118.370	B2700	14H28-	3
2444	22.1	0.6	1500	15.6	15.313	125.498	B1500	14H28-	3
2519	21.5	1.7	4300	21.5	15.313	129.342	B4300	14H28-	3
2531	21.3	1.1	2700	20.7	15.313	129.996	B2700	14H28-	3
2982	18.1	1.4	4300	18.1	16.617	153.141	B4300	14H28-	3
2983	18.1	0.9	2700	18.1	16.399	153.185	B2700	14H28-	3
3259	16.6	1.3	4300	16.6	16.603	167.383	B4300	14H28-	3
3276	16.5	0.8	2700	15.6	16.393	168.230	B2700	14H28-	3
3619	14.9	1.2	4300	14.9	15.973	185.857	B4300	14H28-	3
3620	14.9	0.8	2700	14.8	15.826	185.911	B2700	14H28-	3
3956	13.7	1.1	4300	13.7	15.964	203.143	B4300	14H28-	3
3976	13.6	0.7	2700	13.6	15.822	204.170	B2700	14H28-	3

Technical data

Selection tables

Inverter mains connection 400 V, Forced-ventilated



7.9 kW

Inverter operation							Geared motor		Number of stages
M_2	n_2	c	$M_{2, max}$	$n_{2, th}$	J	i			
Nm	rpm		Nm	rpm	kgcm ²				
326	219	3.2	672	219	230.776	5.488	B4300	19J12-	3
408	175	2.1	837	175	126.952	6.866	B1500	19J12-	3
411	174	3.2	848	174	154.215	6.918	B2700	19J12-	3
414	172	2.9	855	172	186.324	6.976	B4300	19J12-	3
522	137	2.9	1077	137	138.939	8.793	B2700	19J12-	3
544	131	2.4	1122	131	154.653	9.156	B4300	19J12-	3
565	126	1.8	1006	126	118.064	9.516	B1500	19J12-	3
602	118	3.2	1242	118	202.972	10.137	B4300	19J12-	3
647	110	2.1	1330	110	123.614	10.902	B1500	19J12-	3
658	108	3.2	1358	108	199.840	11.080	B4300	19J12-	3
695	103	3.2	1435	103	147.531	11.713	B2700	19J12-	3
711	100	2.1	1461	100	123.132	11.985	B1500	19J12-	3
764	93.3	3.0	1576	93.3	146.539	12.863	B2700	19J12-	3
765	93.1	2.9	1579	93.1	169.116	12.885	B4300	19J12-	3
779	91.5	1.4	1118	91.5	112.661	13.118	B1500	19J12-	3
836	85.2	2.9	1726	85.2	167.177	14.084	B4300	19J12-	3
884	80.6	2.7	1824	80.6	134.802	14.888	B2700	19J12-	3
897	79.4	1.7	1500	79.4	116.326	15.111	B1500	19J12-	3
971	73.4	2.5	2003	73.4	134.188	16.351	B2700	19J12-	3
986	72.2	1.5	1500	72.2	116.075	16.611	B1500	19J12-	3
1004	71.0	2.4	2072	71.0	144.664	16.913	B4300	19J12-	3
1097	64.9	2.4	2265	64.9	143.539	18.486	B4300	19J12-	3
1104	64.5	1.4	1500	64.5	113.197	18.598	B1500	19J12-	3
1160	61.4	2.2	2395	61.4	124.748	19.542	B2700	19J12-	3
1214	58.7	1.2	1500	58.7	113.031	20.444	B1500	19J12-	3
1251	57.0	2.2	2581	57.0	135.359	21.065	B4300	19J12-	3
1322	53.9	2.0	2684	53.9	120.887	22.269	B2700	19J12-	3
1359	52.4	1.1	1500	52.4	111.615	22.898	B1500	19J12-	3
1378	51.7	2.0	2702	51.7	127.767	23.206	B4300	19J12-	3
1423	50.1	1.1	1500	50.1	115.192	23.973	B1500	19J12-	3
1452	49.1	1.9	2700	49.1	120.613	24.456	B2700	19J12-	3
1506	47.3	2.0	2954	47.3	127.170	25.365	B4300	19J12-	3
1564	45.5	1.0	1500	43.7	115.093	26.353	B1500	19J12-	3
1592	44.8	1.7	2700	44.8	117.188	26.814	B2700	19J12-	3
1663	42.8	2.6	3432	42.8	139.200	28.013	B4300	19J12-	3
1748	40.8	1.5	2700	40.8	116.999	29.447	B2700	19J12-	3
1846	38.6	1.7	3110	38.6	120.889	31.097	B4300	19J12-	3
1952	36.5	1.4	2700	36.5	114.248	32.873	B2700	19J12-	3
2114	33.7	2.0	4300	33.7	129.646	35.607	B4300	19J12-	3
2143	33.2	1.3	2700	33.2	114.122	36.102	B2700	19J12-	3
2168	32.9	0.7	1500	26.9	111.890	36.526	B1500	19J12-	3
2428	29.3	0.6	1500	24.1	110.303	40.895	B1500	19J12-	3
2539	28.1	1.1	2700	28.1	119.139	42.772	B2700	19J12-	3
2539	28.1	1.7	4300	28.1	121.931	42.760	B4300	19J12-	3
2669	26.7	0.6	1500	20.0	110.269	44.955	B1500	19J12-	3
2775	25.7	1.6	4300	25.7	121.755	46.737	B4300	19J12-	3
2789	25.5	1.0	2700	25.5	119.065	46.973	B2700	19J12-	3
3162	22.5	1.4	4300	22.5	118.583	53.258	B4300	19J12-	3
3483	20.5	1.2	4300	20.5	115.692	58.671	B4300	19J12-	3
3807	18.7	1.1	4300	18.7	115.598	64.127	B4300	19J12-	3
3826	18.6	0.7	2700	17.5	114.170	64.452	B2700	19J12-	3



Technical data

Selection tables

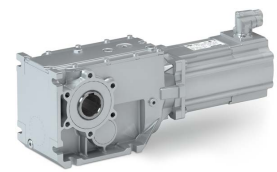
Inverter mains connection 400 V, Forced-ventilated

Inverter operation						Geared motor		Number of stages	
M_2	n_2	c	$M_{2, \max}$	$n_{2, \text{th}}$	J	i			
Nm	rpm		Nm	rpm	kgcm ²				
4270	16.7	1.0	4300	16.7	113.253	71.930	B4300	19J12-	3
4271	16.7	0.6	2700	16.1	112.266	71.951	B2700	19J12-	3
4667	15.3	0.9	4300	15.3	113.191	78.619	B4300	19J12-	3

Technical data

Selection tables

Inverter mains connection 400 V, Forced-ventilated



8 kW

Inverter operation						i	Geared motor		Number of stages
M ₂	n ₂	c	M _{2, max}	n _{2, th}	J				
Nm	rpm		Nm	rpm	kgcm ²				
120	605	2.1	312	424	34.922	4.958	B820	14L30-	3
121	600	1.8	280	477	27.760	5.002	B450	14L30-	3
123	592	2.4	371	432	30.131	5.067	B600	14L30-	3
165	441	1.9	391	349	30.111	6.800	B820	14L30-	3
166	437	1.5	308	364	25.882	6.860	B450	14L30-	3
166	437	3.2	503	288	45.352	6.866	B1500	14L30-	3
168	432	1.9	398	340	27.563	6.949	B600	14L30-	3
185	394	1.8	424	261	32.872	7.618	B820	14L30-	3
185	394	2.0	462	275	29.190	7.617	B600	14L30-	3
206	352	1.8	459	229	32.471	8.517	B820	14L30-	3
222	328	3.1	671	226	73.053	9.156	B4300	14L30-	3
226	322	1.3	368	213	26.606	9.315	B450	14L30-	3
230	315	2.8	697	234	36.464	9.516	B1500	14L30-	3
231	315	1.7	496	285	27.161	9.520	B820	14L30-	3
250	291	1.2	384	187	26.460	10.328	B450	14L30-	3
253	287	1.7	528	211	29.020	10.447	B820	14L30-	3
260	279	1.7	541	175	28.518	10.741	B600	14L30-	3
264	275	3.2	798	182	42.014	10.902	B1500	14L30-	3
283	257	1.6	569	185	28.807	11.680	B820	14L30-	3
290	250	3.2	878	165	41.532	11.985	B1500	14L30-	3
294	247	1.5	544	234	25.920	12.143	B820	14L30-	3
309	235	1.0	404	165	25.268	12.775	B450	14L30-	3
318	229	2.3	923	192	31.061	13.118	B1500	14L30-	3
324	224	1.4	553	171	25.906	13.369	B600	14L30-	3
324	224	1.5	619	182	27.101	13.370	B820	14L30-	3
343	212	1.0	422	143	25.191	14.165	B450	14L30-	3
354	205	1.5	653	170	26.604	14.626	B820	14L30-	3
357	204	1.3	600	133	26.706	14.730	B600	14L30-	3
366	199	2.8	1107	147	34.726	15.111	B1500	14L30-	3
396	184	0.9	434	127	24.627	16.349	B450	14L30-	3
396	184	1.4	708	150	26.496	16.352	B820	14L30-	3
402	181	2.8	1217	134	34.475	16.611	B1500	14L30-	3
410	177	3.1	1239	122	63.064	16.913	B4300	14L30-	3
433	168	0.8	446	115	24.446	17.885	B450	14L30-	3
448	162	3.1	1354	112	61.939	18.486	B4300	14L30-	3
450	161	2.5	1362	131	31.597	18.598	B1500	14L30-	3
452	161	1.3	747	145	25.578	18.655	B820	14L30-	3
457	159	1.0	600	107	25.688	18.851	B600	14L30-	3
473	154	3.1	1431	106	43.148	19.542	B2700	14L30-	3
480	151	0.7	450	94.5	24.406	19.831	B450	14L30-	3
495	147	2.4	1497	119	31.431	20.444	B1500	14L30-	3
500	146	1.0	600	96.2	25.423	20.622	B600	14L30-	3
505	144	1.3	820	129	25.511	20.857	B820	14L30-	3
510	142	2.8	1543	105	53.759	21.065	B4300	14L30-	3
539	135	2.8	1631	99.7	39.287	22.269	B2700	14L30-	3
553	132	0.7	450	83.3	24.102	22.813	B450	14L30-	3
554	131	0.9	600	105	24.588	22.852	B600	14L30-	3
554	131	1.2	820	130	24.997	22.853	B820	14L30-	3
555	131	2.2	1500	108	30.015	22.898	B1500	14L30-	3
562	129	2.5	1699	105	46.167	23.206	B4300	14L30-	3
581	125	2.1	1500	73.8	33.592	23.973	B1500	14L30-	3



Technical data

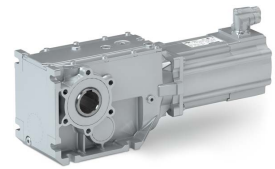
Selection tables
Inverter mains connection 400 V, Forced-ventilated

Inverter operation							Geared motor		Number of stages
M_2	n_2	c	$M_{2, max}$	$n_{2, th}$	J	i			
Nm	rpm		Nm	rpm	kgcm ²				
592	123	2.8	1791	90.7	39.013	24.456	B2700	14L30-	3
613	119	0.6	450	67.7	24.078	25.294	B450	14L30-	3
614	118	0.8	600	52.4	25.577	25.347	B600	14L30-	3
614	118	2.5	1858	96.1	45.570	25.365	B4300	14L30-	3
619	117	1.1	820	111	24.953	25.550	B820	14L30-	3
631	115	0.8	600	42.3	26.282	26.061	B600	14L30-	3
638	114	1.0	820	56.0	26.477	26.324	B820	14L30-	3
638	114	1.9	1500	64.3	33.493	26.353	B1500	14L30-	3
649	112	2.5	1964	90.9	35.588	26.814	B2700	14L30-	3
707	103	1.7	1500	89.0	27.694	29.206	B1500	14L30-	3
713	102	2.5	2157	82.8	35.399	29.447	B2700	14L30-	3
720	101	0.7	600	74.3	24.120	29.744	B600	14L30-	3
720	101	0.9	820	101	24.309	29.745	B820	14L30-	3
753	96.5	2.1	2001	83.0	39.289	31.097	B4300	14L30-	3
782	92.9	0.8	820	44.2	25.643	32.291	B820	14L30-	3
786	92.5	0.6	600	36.8	24.999	32.439	B600	14L30-	3
788	92.2	1.5	1500	84.0	26.663	32.547	B1500	14L30-	3
796	91.3	2.1	2115	78.6	32.648	32.873	B2700	14L30-	3
866	83.9	0.6	600	26.4	25.517	35.740	B600	14L30-	3
867	83.9	1.4	1500	73.1	26.610	35.778	B1500	14L30-	3
874	83.1	0.7	820	35.3	25.620	36.102	B820	14L30-	3
874	83.1	2.1	2323	71.5	32.522	36.102	B2700	14L30-	3
885	82.1	1.4	1500	45.0	30.290	36.526	B1500	14L30-	3
934	77.8	1.7	1938	73.6	32.771	38.546	B4300	14L30-	3
991	73.4	1.4	1500	45.7	28.703	40.895	B1500	14L30-	3
1001	72.6	0.7	820	35.2	25.039	41.325	B820	14L30-	3
1016	71.5	0.5	600	42.5	24.076	41.940	B600	14L30-	3
1036	70.2	3.5	3132	49.7	40.331	42.760	B4300	14L30-	3
1036	70.1	2.4	2700	45.4	37.539	42.772	B2700	14L30-	3
1089	66.7	1.2	1500	39.5	28.669	44.955	B1500	14L30-	3
1095	66.4	0.7	820	31.1	24.881	45.207	B820	14L30-	3
1128	64.4	1.2	1500	63.9	25.538	46.568	B1500	14L30-	3
1132	64.2	3.4	3423	45.4	40.155	46.737	B4300	14L30-	3
1138	63.9	2.1	2700	40.4	37.465	46.973	B2700	14L30-	3
1185	61.3	1.9	2460	61.3	28.868	48.912	B2700	14L30-	3
1224	59.4	0.6	820	24.9	24.870	50.543	B820	14L30-	3
1258	57.8	1.1	1500	57.8	24.885	51.920	B1500	14L30-	3
1290	56.3	3.0	3900	42.3	36.983	53.258	B4300	14L30-	3
1310	55.5	1.6	2327	55.5	24.513	54.082	B2700	14L30-	3
1382	52.6	1.0	1500	52.6	24.864	57.074	B1500	14L30-	3
1397	52.0	0.5	820	22.3	24.519	57.662	B820	14L30-	3
1415	51.4	1.0	1500	32.6	26.357	58.422	B1500	14L30-	3
1421	51.1	2.7	4297	42.6	34.092	58.671	B4300	14L30-	3
1439	50.5	1.6	2556	50.5	24.513	59.393	B2700	14L30-	3
1553	46.8	2.5	4300	38.2	33.998	64.127	B4300	14L30-	3
1556	46.7	0.9	1500	27.0	26.340	64.221	B1500	14L30-	3
1561	46.5	1.6	2700	31.2	32.570	64.452	B2700	14L30-	3
1733	41.9	0.8	1500	24.9	25.718	71.566	B1500	14L30-	3
1742	41.7	2.2	4300	36.3	31.653	71.930	B4300	14L30-	3
1743	41.7	1.4	2700	29.5	30.666	71.951	B2700	14L30-	3
1862	39.0	1.3	2650	39.0	26.009	76.862	B2700	14L30-	3
1904	38.2	2.0	4300	32.6	31.591	78.619	B4300	14L30-	3

Technical data

Selection tables

Inverter mains connection 400 V, Forced-ventilated



Inverter operation							Geared motor		Number of stages
M_2	n_2	c	$M_{2, \max}$	$n_{2, \text{th}}$	J	i			
Nm	rpm		Nm	rpm	kgcm ²				
2057	35.3	1.1	2441	35.3	25.323	84.940	B2700	14L30-	3
2256	32.2	0.6	1500	17.7	25.012	93.150	B1500	14L30-	3
2259	32.2	1.1	2681	32.2	25.304	93.283	B2700	14L30-	3
2360	30.8	1.6	4300	29.1	28.394	97.453	B4300	14L30-	3
2361	30.8	1.0	2700	23.5	27.857	97.481	B2700	14L30-	3
2480	29.3	0.6	1500	14.6	25.005	102.396	B1500	14L30-	3
2580	28.2	1.5	4300	25.4	28.360	106.517	B4300	14L30-	3
2593	28.0	0.9	2700	19.8	27.842	107.056	B2700	14L30-	3
2765	26.3	0.5	1500	15.2	24.513	114.166	B1500	14L30-	3
2866	25.4	1.5	4300	25.4	24.513	118.336	B4300	14L30-	3
2867	25.3	0.9	2700	20.8	24.513	118.370	B2700	14L30-	3
3133	23.2	1.4	4300	23.2	24.513	129.342	B4300	14L30-	3
3149	23.1	0.9	2700	17.2	24.513	129.996	B2700	14L30-	3
3709	19.6	1.2	4300	19.6	25.817	153.141	B4300	14L30-	3
3710	19.6	0.7	2700	15.1	25.599	153.185	B2700	14L30-	3
4054	17.9	1.1	4300	17.9	25.803	167.383	B4300	14L30-	3
4075	17.8	0.7	2700	12.5	25.593	168.230	B2700	14L30-	3
4502	16.1	1.0	4300	16.1	25.173	185.857	B4300	14L30-	3
4503	16.1	0.6	2700	11.9	25.026	185.911	B2700	14L30-	3
4920	14.8	0.9	4300	14.8	25.164	203.143	B4300	14L30-	3
4945	14.7	0.6	2700	14.7	25.022	204.170	B2700	14L30-	3



Technical data

Selection tables

Inverter mains connection 400 V, Forced-ventilated

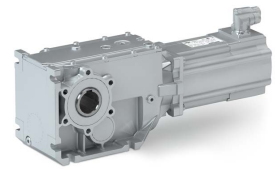
9 kW

Inverter operation							Geared motor		Number of stages
M_2	n_2	c	$M_{2, max}$	$n_{2, th}$	J	i			
Nm	rpm		Nm	rpm	kgcm ²				
375	219	2.8	990	219	285.776	5.488	B4300	19P12-	3
470	175	1.8	837	175	181.952	6.866	B1500	19P12-	3
473	174	2.8	1249	174	209.215	6.918	B2700	19P12-	3
477	172	2.5	1201	172	241.324	6.976	B4300	19P12-	3
601	137	2.5	1514	137	193.939	8.793	B2700	19P12-	3
626	131	2.1	1329	131	209.653	9.156	B4300	19P12-	3
651	126	1.6	1006	126	173.064	9.516	B1500	19P12-	3
693	118	2.8	1829	118	257.972	10.137	B4300	19P12-	3
746	110	1.8	1330	110	178.614	10.902	B1500	19P12-	3
758	108	2.8	2000	108	254.840	11.080	B4300	19P12-	3
801	103	2.8	2114	103	202.531	11.713	B2700	19P12-	3
820	100	1.8	1461	100	178.132	11.985	B1500	19P12-	3
880	93.3	2.6	2262	93.3	201.539	12.863	B2700	19P12-	3
881	93.1	2.5	2219	93.1	224.116	12.885	B4300	19P12-	3
897	91.5	1.3	1118	91.5	167.661	13.118	B1500	19P12-	3
963	85.2	2.5	2425	85.2	222.177	14.084	B4300	19P12-	3
1018	80.6	2.3	2380	80.6	189.802	14.888	B2700	19P12-	3
1033	79.4	1.5	1500	79.4	171.326	15.111	B1500	19P12-	3
1118	73.4	2.2	2429	73.4	189.188	16.351	B2700	19P12-	3
1136	72.2	1.3	1500	72.2	171.075	16.611	B1500	19P12-	3
1157	71.0	2.1	2455	71.0	199.664	16.913	B4300	19P12-	3
1264	64.9	2.1	2683	64.9	198.539	18.486	B4300	19P12-	3
1272	64.5	1.2	1500	64.5	168.197	18.598	B1500	19P12-	3
1336	61.4	1.9	2579	61.4	179.748	19.542	B2700	19P12-	3
1398	58.7	1.1	1500	58.7	168.031	20.444	B1500	19P12-	3
1441	57.0	1.9	2799	57.0	190.359	21.065	B4300	19P12-	3
1523	53.9	1.8	2684	53.9	175.887	22.269	B2700	19P12-	3
1566	52.4	1.0	1500	52.4	166.615	22.898	B1500	19P12-	3
1587	51.7	1.7	2702	51.7	182.767	23.206	B4300	19P12-	3
1640	50.1	0.9	1500	45.9	170.192	23.973	B1500	19P12-	3
1673	49.1	1.6	2700	49.1	175.613	24.456	B2700	19P12-	3
1735	47.3	1.7	2954	47.3	182.170	25.365	B4300	19P12-	3
1802	45.5	0.8	1500	38.0	170.093	26.353	B1500	19P12-	3
1834	44.8	1.5	2700	44.8	172.188	26.814	B2700	19P12-	3
1916	42.8	2.2	4300	42.8	194.200	28.013	B4300	19P12-	3
2014	40.8	1.3	2700	40.8	171.999	29.447	B2700	19P12-	3
2127	38.6	1.5	3110	38.6	175.889	31.097	B4300	19P12-	3
2248	36.5	1.2	2700	36.5	169.248	32.873	B2700	19P12-	3
2435	33.7	1.8	4300	33.7	184.646	35.607	B4300	19P12-	3
2469	33.2	1.1	2700	33.2	169.122	36.102	B2700	19P12-	3
2498	32.9	0.6	1500	23.3	166.890	36.526	B1500	19P12-	3
2797	29.3	0.5	1500	20.9	165.303	40.895	B1500	19P12-	3
2924	28.1	1.5	4300	28.1	176.931	42.760	B4300	19P12-	3
2925	28.1	0.9	2700	28.1	174.139	42.772	B2700	19P12-	3
3196	25.7	1.4	4300	25.7	176.755	46.737	B4300	19P12-	3
3213	25.5	0.8	2700	23.5	174.065	46.973	B2700	19P12-	3
3642	22.5	1.2	4300	22.5	173.583	53.258	B4300	19P12-	3
4012	20.5	1.1	4300	20.5	170.692	58.671	B4300	19P12-	3
4386	18.7	1.0	4300	18.7	170.598	64.127	B4300	19P12-	3
4408	18.6	0.6	2700	15.2	169.170	64.452	B2700	19P12-	3
4919	16.7	0.9	4300	16.7	168.253	71.930	B4300	19P12-	3

Technical data

Selection tables

Inverter mains connection 400 V, Forced-ventilated



Inverter operation						Geared motor			Number of stages
M_2	n_2	c	$M_{2, \max}$	$n_{2, \text{th}}$	J	i			
Nm	rpm		Nm	rpm	kgcm²				
4921	16.7	0.6	2700	13.9	167.266	71.951	B2700	19P12-	3
5377	15.3	0.8	4300	15.3	168.191	78.619	B4300	19P12-	3



9.1 kW

Inverter operation						i	Geared motor		Number of stages
M ₂	n ₂	c	M _{2, max}	n _{2, th}	J				
Nm	rpm		Nm	rpm	kgcm ²				
155	529	1.7	312	381	46.222	4.958	B820	14P26-	3
157	525	1.5	280	425	39.060	5.002	B450	14P26-	3
159	518	2.0	376	410	41.431	5.067	B600	14P26-	3
213	386	1.5	391	309	41.411	6.800	B820	14P26-	3
215	383	1.2	308	327	37.182	6.860	B450	14P26-	3
215	382	2.6	670	274	56.652	6.866	B1500	14P26-	3
218	378	1.5	398	302	38.863	6.949	B600	14P26-	3
239	345	1.5	424	232	44.172	7.618	B820	14P26-	3
239	345	1.6	462	243	40.490	7.617	B600	14P26-	3
267	308	1.4	459	204	43.771	8.517	B820	14P26-	3
287	287	2.5	855	215	84.353	9.156	B4300	14P26-	3
292	282	1.1	368	194	37.906	9.315	B450	14P26-	3
298	276	2.3	822	223	47.764	9.516	B1500	14P26-	3
298	276	1.4	496	254	38.461	9.520	B820	14P26-	3
324	254	1.0	384	169	37.760	10.328	B450	14P26-	3
327	251	1.3	528	188	40.320	10.447	B820	14P26-	3
337	244	1.3	541	156	39.818	10.741	B600	14P26-	3
342	241	2.6	1064	172	53.314	10.902	B1500	14P26-	3
366	225	1.3	569	165	40.107	11.680	B820	14P26-	3
376	219	2.6	1170	157	52.832	11.985	B1500	14P26-	3
381	216	1.2	544	213	37.220	12.143	B820	14P26-	3
400	206	0.8	404	136	36.568	12.775	B450	14P26-	3
411	200	1.9	923	179	42.361	13.118	B1500	14P26-	3
419	196	1.1	553	154	37.206	13.369	B600	14P26-	3
419	196	1.2	619	162	38.401	13.370	B820	14P26-	3
444	185	0.8	422	116	36.491	14.165	B450	14P26-	3
458	180	1.2	653	153	37.904	14.626	B820	14P26-	3
462	178	1.1	600	120	38.006	14.730	B600	14P26-	3
474	174	2.3	1305	140	46.026	15.111	B1500	14P26-	3
512	161	0.7	434	103	35.927	16.349	B450	14P26-	3
513	161	1.2	708	135	37.796	16.352	B820	14P26-	3
521	158	2.3	1435	127	45.775	16.611	B1500	14P26-	3
530	155	2.5	1580	116	74.364	16.913	B4300	14P26-	3
561	147	0.7	446	93.1	35.746	17.885	B450	14P26-	3
579	142	2.5	1727	106	73.239	18.486	B4300	14P26-	3
583	141	2.0	1396	125	42.897	18.598	B1500	14P26-	3
585	141	1.1	747	133	36.878	18.655	B820	14P26-	3
591	139	0.8	600	88.1	36.988	18.851	B600	14P26-	3
613	134	2.5	1826	101	54.448	19.542	B2700	14P26-	3
622	132	0.6	450	76.4	35.706	19.831	B450	14P26-	3
641	128	1.9	1500	112	42.731	20.444	B1500	14P26-	3
646	127	0.8	600	77.7	36.723	20.622	B600	14P26-	3
654	126	1.0	820	118	36.811	20.857	B820	14P26-	3
660	125	2.3	1802	100	65.059	21.065	B4300	14P26-	3
698	118	2.3	1905	94.8	50.587	22.269	B2700	14P26-	3
715	115	0.5	450	67.3	35.402	22.813	B450	14P26-	3
716	115	0.7	600	84.5	35.888	22.852	B600	14P26-	3
716	115	1.0	820	115	36.297	22.853	B820	14P26-	3
718	115	1.7	1500	98.4	41.315	22.898	B1500	14P26-	3
727	113	2.0	1740	100	57.467	23.206	B4300	14P26-	3
751	110	1.7	1500	65.8	44.892	23.973	B1500	14P26-	3

Technical data

Selection tables

Inverter mains connection 400 V, Forced-ventilated



Inverter operation							Geared motor		Number of stages
M_2	n_2	c	$M_{2, \max}$	$n_{2, \text{th}}$	J	i			
Nm	rpm		Nm	rpm	kgcm ²				
767	107	2.3	2092	86.3	50.313	24.456	B2700	14P26-	3
795	104	0.6	600	42.4	36.877	25.347	B600	14P26-	3
795	104	2.0	1901	91.7	56.870	25.365	B4300	14P26-	3
801	103	0.9	820	92.4	36.253	25.550	B820	14P26-	3
817	101	0.6	600	34.1	37.582	26.061	B600	14P26-	3
825	99.7	0.8	820	45.7	37.777	26.324	B820	14P26-	3
826	99.6	1.5	1500	56.6	44.793	26.353	B1500	14P26-	3
840	97.9	2.0	2010	86.7	46.888	26.814	B2700	14P26-	3
915	89.9	1.4	1500	79.2	38.994	29.206	B1500	14P26-	3
923	89.1	2.0	2207	79.0	46.699	29.447	B2700	14P26-	3
932	88.3	0.5	600	60.0	35.420	29.744	B600	14P26-	3
932	88.2	0.7	820	82.0	35.609	29.745	B820	14P26-	3
975	84.4	1.7	2001	75.5	50.589	31.097	B4300	14P26-	3
1012	81.3	0.7	820	35.7	36.943	32.291	B820	14P26-	3
1020	80.7	1.2	1500	76.1	37.963	32.547	B1500	14P26-	3
1030	79.9	1.7	2115	71.4	43.948	32.873	B2700	14P26-	3
1121	73.4	1.1	1500	66.5	37.910	35.778	B1500	14P26-	3
1132	72.7	0.6	820	28.5	36.920	36.102	B820	14P26-	3
1132	72.7	1.7	2323	65.1	43.822	36.102	B2700	14P26-	3
1145	71.9	1.1	1500	40.4	41.590	36.526	B1500	14P26-	3
1208	68.1	1.3	1938	66.3	44.071	38.546	B4300	14P26-	3
1282	64.2	1.1	1500	40.9	40.003	40.895	B1500	14P26-	3
1295	63.5	0.6	820	28.5	36.339	41.325	B820	14P26-	3
1340	61.4	2.8	3995	47.4	51.631	42.760	B4300	14P26-	3
1341	61.4	1.9	2700	42.6	48.839	42.772	B2700	14P26-	3
1409	58.4	1.0	1500	35.6	39.969	44.955	B1500	14P26-	3
1417	58.1	0.6	820	25.1	36.181	45.207	B820	14P26-	3
1460	56.4	1.0	1500	56.4	36.838	46.568	B1500	14P26-	3
1465	56.2	2.8	4300	43.2	51.455	46.737	B4300	14P26-	3
1472	55.9	1.7	2700	36.8	48.765	46.973	B2700	14P26-	3
1533	53.7	1.5	2460	53.7	40.168	48.912	B2700	14P26-	3
1627	50.6	0.9	1500	50.6	36.185	51.920	B1500	14P26-	3
1669	49.3	2.4	4300	40.3	48.283	53.258	B4300	14P26-	3
1695	48.5	1.3	2327	48.5	35.813	54.082	B2700	14P26-	3
1789	46.0	0.8	1500	44.2	36.164	57.074	B1500	14P26-	3
1831	44.9	0.8	1500	26.3	37.657	58.422	B1500	14P26-	3
1839	44.7	2.2	4300	40.5	45.392	58.671	B4300	14P26-	3
1862	44.2	1.3	2556	44.2	35.813	59.393	B2700	14P26-	3
2010	40.9	2.0	4300	36.3	45.298	64.127	B4300	14P26-	3
2013	40.9	0.7	1500	21.8	37.640	64.221	B1500	14P26-	3
2020	40.7	1.3	2700	27.7	43.870	64.452	B2700	14P26-	3
2243	36.7	0.6	1500	20.1	37.018	71.566	B1500	14P26-	3
2255	36.5	1.1	2700	26.7	41.966	71.951	B2700	14P26-	3
2255	36.5	1.8	4300	33.6	42.953	71.930	B4300	14P26-	3
2409	34.2	1.0	2650	34.2	37.309	76.862	B2700	14P26-	3
2464	33.4	1.7	4300	29.3	42.891	78.619	B4300	14P26-	3
2662	30.9	0.9	2441	30.9	36.623	84.940	B2700	14P26-	3
2924	28.1	0.9	2681	28.1	36.604	93.283	B2700	14P26-	3
3055	26.9	1.3	4300	26.2	39.694	97.453	B4300	14P26-	3
3056	26.9	0.8	2700	19.3	39.157	97.481	B2700	14P26-	3
3339	24.6	1.2	4300	23.0	39.660	106.517	B4300	14P26-	3
3356	24.5	0.8	2700	16.0	39.142	107.056	B2700	14P26-	3



Technical data

Selection tables

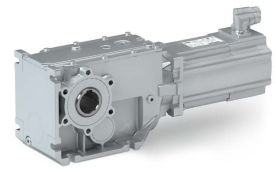
Inverter mains connection 400 V, Forced-ventilated

Inverter operation						i	Geared motor		Number of stages
M_2	n_2	c	$M_{2, \max}$	$n_{2, \text{th}}$	J				
Nm	rpm		Nm	rpm	kgcm ²				
3709	22.2	1.2	4300	22.2	35.813	118.336	B4300	14P26-	3
3710	22.2	0.7	2700	16.0	35.813	118.370	B2700	14P26-	3
4054	20.3	1.1	4300	20.3	35.813	129.342	B4300	14P26-	3
4075	20.2	0.7	2700	13.3	35.813	129.996	B2700	14P26-	3
4800	17.1	0.9	4300	17.1	37.117	153.141	B4300	14P26-	3
4802	17.1	0.6	2700	11.7	36.899	153.185	B2700	14P26-	3
5247	15.7	0.8	4300	15.6	37.103	167.383	B4300	14P26-	3
5273	15.6	0.5	2700	9.7	36.893	168.230	B2700	14P26-	3
5826	14.1	0.7	4300	14.1	36.473	185.857	B4300	14P26-	3
6368	12.9	0.7	4300	12.9	36.464	203.143	B4300	14P26-	3

Technical data

Selection tables

Inverter mains connection 400 V, Forced-ventilated



9.7 kW

Inverter operation						i	Geared motor		Number of stages
M ₂	n ₂	c	M _{2, max}	n _{2, th}	J				
Nm	rpm		Nm	rpm	kgcm ²				
169	519	5.0	448	333	190.776	5.488	B4300	19F29-	3
212	415	3.2	561	288	86.952	6.866	B1500	19F29-	3
214	412	5.0	565	264	114.215	6.918	B2700	19F29-	3
215	409	4.5	570	284	146.324	6.976	B4300	19F29-	3
271	324	4.5	718	225	98.939	8.793	B2700	19F29-	3
283	311	3.8	748	237	114.653	9.156	B4300	19F29-	3
294	300	2.8	777	232	78.064	9.516	B1500	19F29-	3
313	281	5.0	828	180	162.972	10.137	B4300	19F29-	3
337	261	3.2	891	181	83.614	10.902	B1500	19F29-	3
342	257	5.0	905	165	159.840	11.080	B4300	19F29-	3
362	243	4.9	957	156	107.531	11.713	B2700	19F29-	3
370	238	3.2	979	165	83.132	11.985	B1500	19F29-	3
397	222	4.6	1051	139	106.539	12.863	B2700	19F29-	3
398	221	4.5	1053	154	129.116	12.885	B4300	19F29-	3
405	217	2.2	1072	169	72.661	13.118	B1500	19F29-	3
435	202	4.5	1150	141	127.177	14.084	B4300	19F29-	3
460	191	4.2	1216	131	94.802	14.888	B2700	19F29-	3
466	189	2.6	1234	144	76.326	15.111	B1500	19F29-	3
505	174	3.9	1336	117	94.188	16.351	B2700	19F29-	3
513	172	2.4	1357	128	76.075	16.611	B1500	19F29-	3
522	169	3.8	1382	128	104.664	16.913	B4300	19F29-	3
571	154	3.8	1510	117	103.539	18.486	B4300	19F29-	3
574	153	2.1	1500	119	73.197	18.598	B1500	19F29-	3
603	146	3.5	1596	109	84.748	19.542	B2700	19F29-	3
631	139	1.9	1500	108	73.031	20.444	B1500	19F29-	3
650	135	3.5	1721	105	95.359	21.065	B4300	19F29-	3
687	128	3.2	1819	99.3	80.887	22.269	B2700	19F29-	3
707	125	1.7	1500	96.5	71.615	22.898	B1500	19F29-	3
716	123	3.1	1896	95.3	87.767	23.206	B4300	19F29-	3
740	119	1.6	1500	65.3	75.192	23.973	B1500	19F29-	3
755	117	2.9	1998	90.4	80.613	24.456	B2700	19F29-	3
783	112	3.1	2072	87.2	87.170	25.365	B4300	19F29-	3
814	108	1.5	1500	56.2	75.093	26.353	B1500	19F29-	3
828	106	2.6	2190	82.4	77.188	26.814	B2700	19F29-	3
865	102	4.0	2288	62.0	99.200	28.013	B4300	19F29-	3
909	96.8	2.4	2405	75.1	76.999	29.447	B2700	19F29-	3
960	91.6	2.6	2540	71.1	80.889	31.097	B4300	19F29-	3
1015	86.7	2.2	2685	67.2	74.248	32.873	B2700	19F29-	3
1099	80.0	3.2	2909	51.2	89.646	35.607	B4300	19F29-	3
1114	78.9	2.0	2700	61.2	74.122	36.102	B2700	19F29-	3
1128	78.0	1.1	1500	40.2	71.890	36.526	B1500	19F29-	3
1262	69.7	1.1	1500	40.7	70.303	40.895	B1500	19F29-	3
1320	66.7	3.0	3493	48.1	81.931	42.760	B4300	19F29-	3
1320	66.6	1.9	2700	42.3	79.139	42.772	B2700	19F29-	3
1388	63.4	1.0	1500	35.2	70.269	44.955	B1500	19F29-	3
1443	61.0	2.7	3818	43.1	81.755	46.737	B4300	19F29-	3
1450	60.7	1.7	2700	36.5	79.065	46.973	B2700	19F29-	3
1644	53.5	2.4	4300	40.2	78.583	53.258	B4300	19F29-	3
1811	48.6	2.2	4300	37.7	75.692	58.671	B4300	19F29-	3
1980	44.4	2.0	4300	34.5	75.598	64.127	B4300	19F29-	3
1990	44.2	1.2	2700	27.6	74.170	64.452	B2700	19F29-	3



Technical data

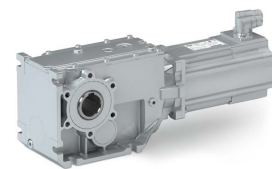
Selection tables
 Inverter mains connection 400 V, Forced-ventilated

Inverter operation						Geared motor			Number of stages
M_2	n_2	c	$M_{2, \max}$	$n_{2, \text{th}}$	J	i			
Nm	rpm		Nm	rpm	kgcm²				
2221	39.6	1.1	2700	26.6	72.266	71.951	B2700	19F29-	3
2221	39.6	1.8	4300	30.7	73.253	71.930	B4300	19F29-	3
2427	36.3	1.6	4300	28.1	73.191	78.619	B4300	19F29-	3

Technical data

Selection tables

Inverter mains connection 400 V, Forced-ventilated



15.1 kW

Inverter operation						i	Geared motor		Number of stages
M ₂	n ₂	c	M _{2, max}	n _{2, th}	J				
Nm	rpm		Nm	rpm	kgcm ²				
263	519	3.2	672	301	230.776	5.488	B4300	19J29-	3
329	415	2.1	837	258	126.952	6.866	B1500	19J29-	3
332	412	3.2	848	239	154.215	6.918	B2700	19J29-	3
335	409	2.9	855	256	186.324	6.976	B4300	19J29-	3
422	324	2.9	1077	203	138.939	8.793	B2700	19J29-	3
439	311	2.4	1122	214	154.653	9.156	B4300	19J29-	3
456	300	1.8	1006	202	118.064	9.516	B1500	19J29-	3
486	281	3.2	1242	163	202.972	10.137	B4300	19J29-	3
523	261	2.1	1330	162	123.614	10.902	B1500	19J29-	3
531	257	3.2	1358	149	199.840	11.080	B4300	19J29-	3
562	243	3.2	1435	140	147.531	11.713	B2700	19J29-	3
575	238	2.1	1461	148	123.132	11.985	B1500	19J29-	3
617	222	3.0	1576	126	146.539	12.863	B2700	19J29-	3
618	221	2.9	1579	139	169.116	12.885	B4300	19J29-	3
629	217	1.4	1118	155	112.661	13.118	B1500	19J29-	3
676	202	2.9	1726	127	167.177	14.084	B4300	19J29-	3
714	191	2.7	1824	118	134.802	14.888	B2700	19J29-	3
725	189	1.7	1500	123	116.326	15.111	B1500	19J29-	3
784	174	2.5	2003	105	134.188	16.351	B2700	19J29-	3
797	172	1.5	1500	106	116.075	16.611	B1500	19J29-	3
811	169	2.4	2072	116	144.664	16.913	B4300	19J29-	3
887	154	2.4	2265	106	143.539	18.486	B4300	19J29-	3
892	153	1.4	1500	100	113.197	18.598	B1500	19J29-	3
937	146	2.2	2395	98.1	124.748	19.542	B2700	19J29-	3
981	139	1.2	1500	86.6	113.031	20.444	B1500	19J29-	3
1010	135	2.2	2581	99.9	135.359	21.065	B4300	19J29-	3
1068	128	2.0	2684	92.3	120.887	22.269	B2700	19J29-	3
1098	125	1.1	1500	78.0	111.615	22.898	B1500	19J29-	3
1113	123	2.0	2702	95.3	127.767	23.206	B4300	19J29-	3
1150	119	1.1	1500	51.4	115.192	23.973	B1500	19J29-	3
1173	117	1.9	2700	80.5	120.613	24.456	B2700	19J29-	3
1217	112	2.0	2954	87.2	127.170	25.365	B4300	19J29-	3
1264	108	1.0	1500	43.7	115.093	26.353	B1500	19J29-	3
1286	106	1.7	2700	78.7	117.188	26.814	B2700	19J29-	3
1344	102	2.6	3432	55.7	139.200	28.013	B4300	19J29-	3
1413	96.8	1.5	2700	67.9	116.999	29.447	B2700	19J29-	3
1492	91.6	1.7	3110	71.1	120.889	31.097	B4300	19J29-	3
1577	86.7	1.4	2700	64.2	114.248	32.873	B2700	19J29-	3
1708	80.0	2.0	4300	45.9	129.646	35.607	B4300	19J29-	3
1732	78.9	1.3	2700	55.9	114.122	36.102	B2700	19J29-	3
1752	78.0	0.7	1500	26.9	111.890	36.526	B1500	19J29-	3
1962	69.7	0.7	1500	27.4	110.303	40.895	B1500	19J29-	3
2051	66.7	1.9	4300	43.0	121.931	42.760	B4300	19J29-	3
2052	66.6	1.2	2700	33.4	119.139	42.772	B2700	19J29-	3
2156	63.4	0.6	1500	22.7	110.269	44.955	B1500	19J29-	3
2242	61.0	1.8	4300	37.3	121.755	46.737	B4300	19J29-	3
2253	60.7	1.1	2700	29.1	119.065	46.973	B2700	19J29-	3
2555	53.5	1.5	4300	33.2	118.583	53.258	B4300	19J29-	3
2814	48.6	1.4	4300	32.3	115.692	58.671	B4300	19J29-	3
3076	44.4	1.3	4300	28.1	115.598	64.127	B4300	19J29-	3
3092	44.2	0.8	2700	19.8	114.170	64.452	B2700	19J29-	3



Technical data

Selection tables

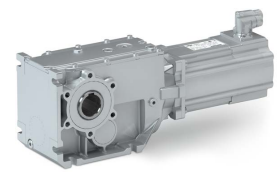
Inverter mains connection 400 V, Forced-ventilated

Inverter operation						Geared motor		Number of stages	
M_2	n_2	c	$M_{2, \max}$	$n_{2, \text{th}}$	J	i			
Nm	rpm		Nm	rpm	kgcm ²				
3450	39.6	1.1	4300	26.9	113.253	71.930	B4300	19J29-	3
3451	39.6	0.7	2700	18.2	112.266	71.951	B2700	19J29-	3
3771	36.3	1.1	4300	23.7	113.191	78.619	B4300	19J29-	3

Technical data

Selection tables

Inverter mains connection 400 V, Forced-ventilated



15.8 kW

Inverter operation						i	Geared motor		Number of stages
M ₂	n ₂	c	M _{2, max}	n _{2, th}	J				
Nm	rpm		Nm	rpm	kgcm ²				
276	519	3.1	990	297	285.776	5.488	B4300	19P29-	3
346	415	2.0	837	254	181.952	6.866	B1500	19P29-	3
348	412	3.1	1249	236	209.215	6.918	B2700	19P29-	3
351	409	2.8	1201	253	241.324	6.976	B4300	19P29-	3
443	324	2.8	1514	201	193.939	8.793	B2700	19P29-	3
461	311	2.3	1329	212	209.653	9.156	B4300	19P29-	3
479	300	1.7	1006	196	173.064	9.516	B1500	19P29-	3
510	281	3.1	1829	161	257.972	10.137	B4300	19P29-	3
549	261	2.0	1330	160	178.614	10.902	B1500	19P29-	3
558	257	3.1	2000	147	254.840	11.080	B4300	19P29-	3
590	243	3.0	2114	139	202.531	11.713	B2700	19P29-	3
603	238	2.0	1461	146	178.132	11.985	B1500	19P29-	3
648	222	2.8	2262	124	201.539	12.863	B2700	19P29-	3
649	221	2.8	2219	137	224.116	12.885	B4300	19P29-	3
660	217	1.4	1118	151	167.661	13.118	B1500	19P29-	3
709	202	2.8	2425	125	222.177	14.084	B4300	19P29-	3
750	191	2.6	2380	117	189.802	14.888	B2700	19P29-	3
761	189	1.6	1500	119	171.326	15.111	B1500	19P29-	3
823	174	2.4	2429	104	189.188	16.351	B2700	19P29-	3
836	172	1.5	1500	103	171.075	16.611	B1500	19P29-	3
851	169	2.3	2455	115	199.664	16.913	B4300	19P29-	3
931	154	2.3	2683	105	198.539	18.486	B4300	19P29-	3
936	153	1.3	1500	97.6	168.197	18.598	B1500	19P29-	3
984	146	2.1	2579	96.9	179.748	19.542	B2700	19P29-	3
1029	139	1.2	1500	84.5	168.031	20.444	B1500	19P29-	3
1060	135	2.1	2799	98.7	190.359	21.065	B4300	19P29-	3
1121	128	1.9	2684	90.6	175.887	22.269	B2700	19P29-	3
1153	125	1.1	1500	76.3	166.615	22.898	B1500	19P29-	3
1168	123	1.9	2702	95.3	182.767	23.206	B4300	19P29-	3
1207	119	1.0	1500	50.2	170.192	23.973	B1500	19P29-	3
1231	117	1.8	2700	78.2	175.613	24.456	B2700	19P29-	3
1277	112	1.9	2954	87.2	182.170	25.365	B4300	19P29-	3
1327	108	0.9	1500	41.6	170.093	26.353	B1500	19P29-	3
1350	106	1.6	2700	76.5	172.188	26.814	B2700	19P29-	3
1410	102	2.5	4300	55.0	194.200	28.013	B4300	19P29-	3
1482	96.8	1.5	2700	66.0	171.999	29.447	B2700	19P29-	3
1565	91.6	1.6	3110	71.1	175.889	31.097	B4300	19P29-	3
1655	86.7	1.3	2700	62.7	169.248	32.873	B2700	19P29-	3
1793	80.0	1.9	4300	45.1	184.646	35.607	B4300	19P29-	3
1817	78.9	1.2	2700	54.7	169.122	36.102	B2700	19P29-	3
1839	78.0	0.7	1500	25.6	166.890	36.526	B1500	19P29-	3
2059	69.7	0.7	1500	26.1	165.303	40.895	B1500	19P29-	3
2153	66.7	1.8	4300	41.8	176.931	42.760	B4300	19P29-	3
2153	66.6	1.2	2700	32.7	174.139	42.772	B2700	19P29-	3
2263	63.4	0.6	1500	21.6	165.269	44.955	B1500	19P29-	3
2353	61.0	1.7	4300	36.3	176.755	46.737	B4300	19P29-	3
2365	60.7	1.1	2700	28.5	174.065	46.973	B2700	19P29-	3
2681	53.5	1.5	4300	32.3	173.583	53.258	B4300	19P29-	3
2954	48.6	1.3	4300	31.4	170.692	58.671	B4300	19P29-	3
3228	44.4	1.2	4300	27.4	170.598	64.127	B4300	19P29-	3
3245	44.2	0.8	2700	18.9	169.170	64.452	B2700	19P29-	3



Technical data

Selection tables

Inverter mains connection 400 V, Forced-ventilated

Inverter operation						Geared motor		Number of stages	
M_2	n_2	c	$M_{2, \max}$	$n_{2, \text{th}}$	J	i			
Nm	rpm		Nm	rpm	kgcm ²				
3621	39.6	1.1	4300	26.3	168.253	71.930	B4300	19P29-	3
3622	39.6	0.7	2700	17.4	167.266	71.951	B2700	19P29-	3
3958	36.3	1.0	4300	23.2	168.191	78.619	B4300	19P29-	3

Technical data

Dimensions
Basic dimensions



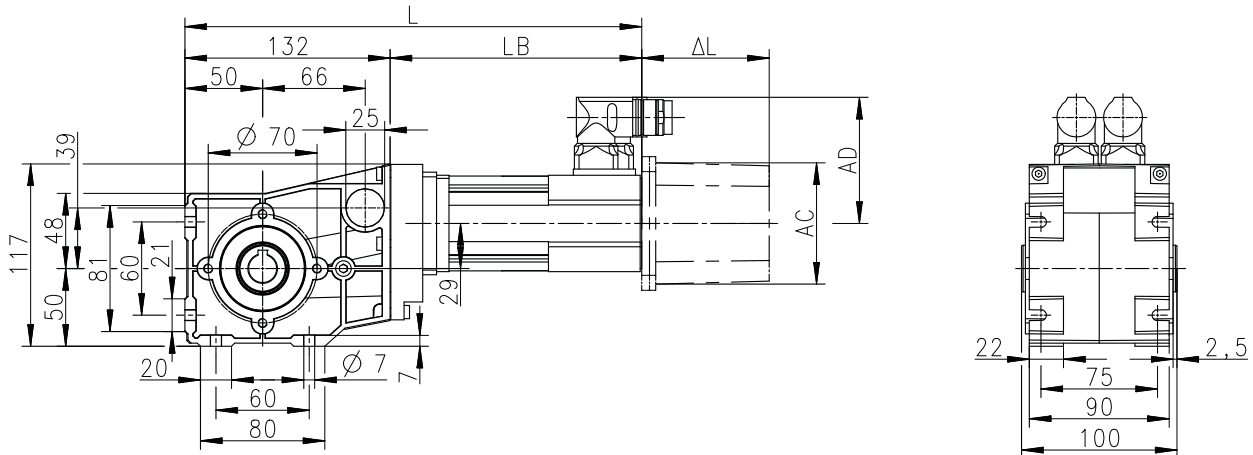
Dimensions

Basic dimensions

Notes on the basic dimensions

The following legend shows the layout of the dimension sheets:

Example	Explanation
g500-B45 with MCS06	Gearbox with motor
Gearbox design: hollow shaft, with foot (HAR/HBR/HAK)	Gearbox version 12



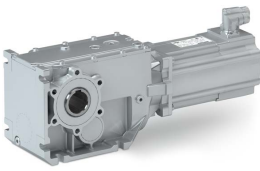
Motor	MCS		
	06C41- 06C41L	06F41- 06F41L	06I41- 06I41L
Cooling type	Natural	Natural	Natural

Table content	Explanation
Total length	L Total length of the drive with resolver
Motor length	LB Length of the motor with resolver
Length of motor options	Δ L Additional length (longest design) In detail ► Additional lengths □ 296
Motor diameter	AC Motor diameter
Motor/connection distance	AD Distance from motor centre to connector end



If the mounting area (foot support) towards the motor is longer than the gearbox foot, some motors collide with the mounting area!

For an accurate check of the geometrical data, Lenze recommends the use of the »Product Finder« at www.Lenze.com.

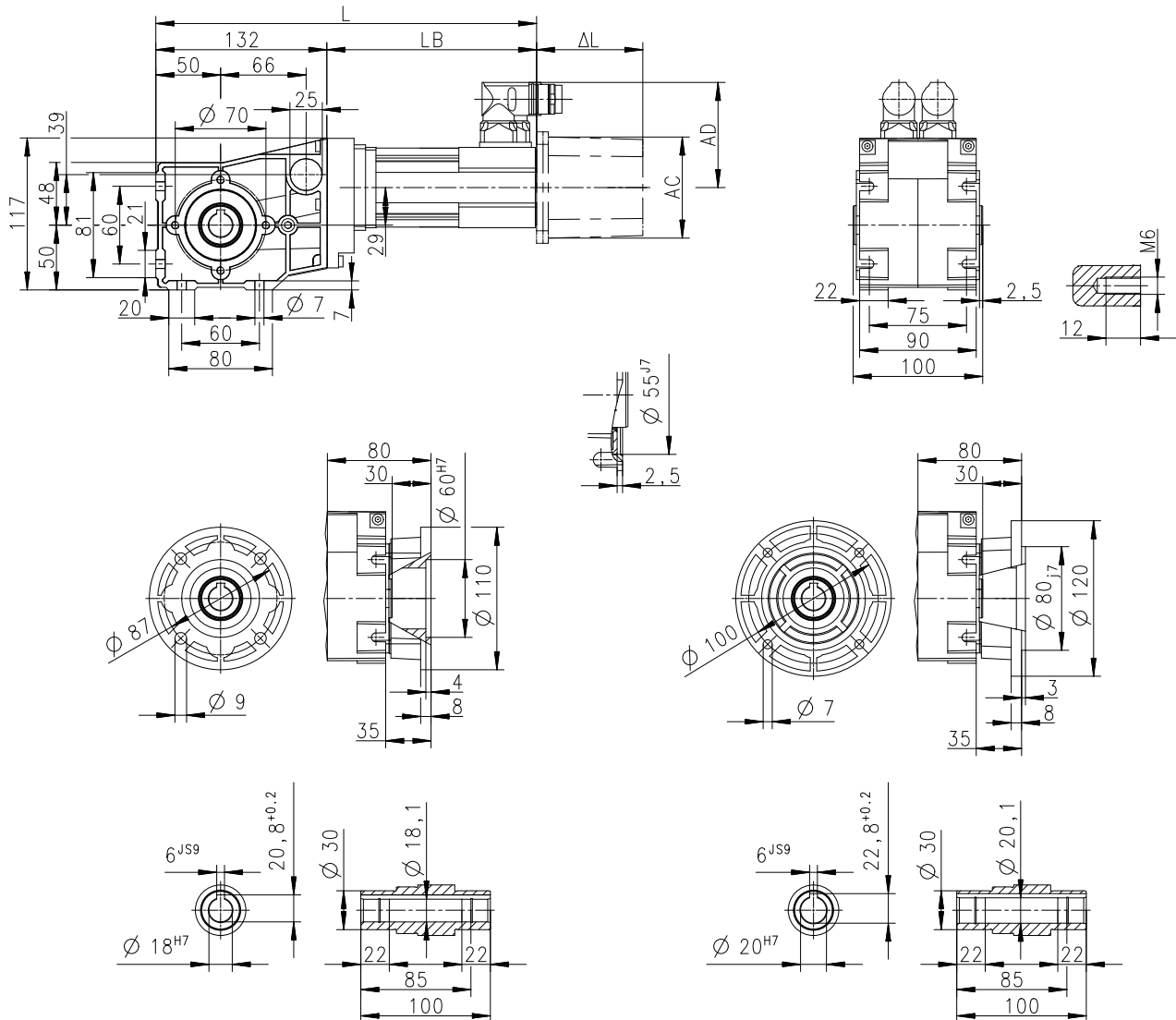


Technical data

Dimensions
Basic dimensions

g500-B45 with MCS06

Gearbox design: hollow shaft, with foot (HAR/HBR/HAK)



8800145-00

Motor			MCS		
			06C41-06C41L	06F41-06F41L	06I41-06I41L
Cooling type			Natural	Natural	Natural
Total length	L	mm	294	324	354
Motor length	LB	mm	162	192	222
Length of motor options	ΔL	mm		142	
Motor diameter	AC	mm		86	
Motor/connection distance	AD	mm		77	

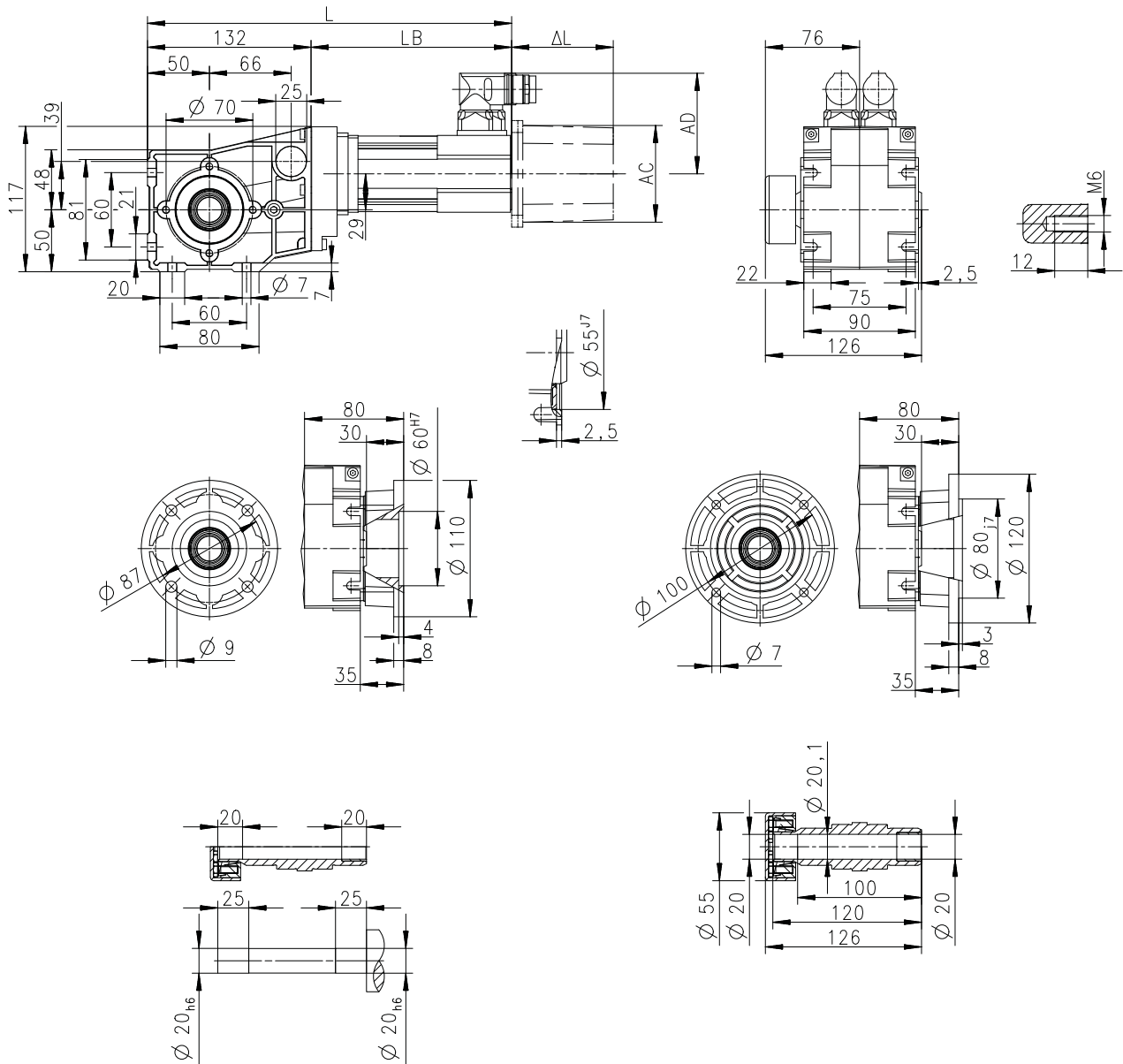
Technical data

Dimensions
Basic dimensions



g500-B45 with MCS06

Gearbox design: Hollow shaft with shrink disc, with foot (SAR/SBR/SAK)



8800217-00

Motor			MCS		
			06C41- 06C41L	06F41- 06F41L	06I41- 06I41L
Cooling type			Natural	Natural	Natural
Total length	L	mm	294	324	354
Motor length	LB	mm	162	192	222
Length of motor options	Δ L	mm		142	
Motor diameter	AC	mm		86	
Motor/connection distance	AD	mm		77	

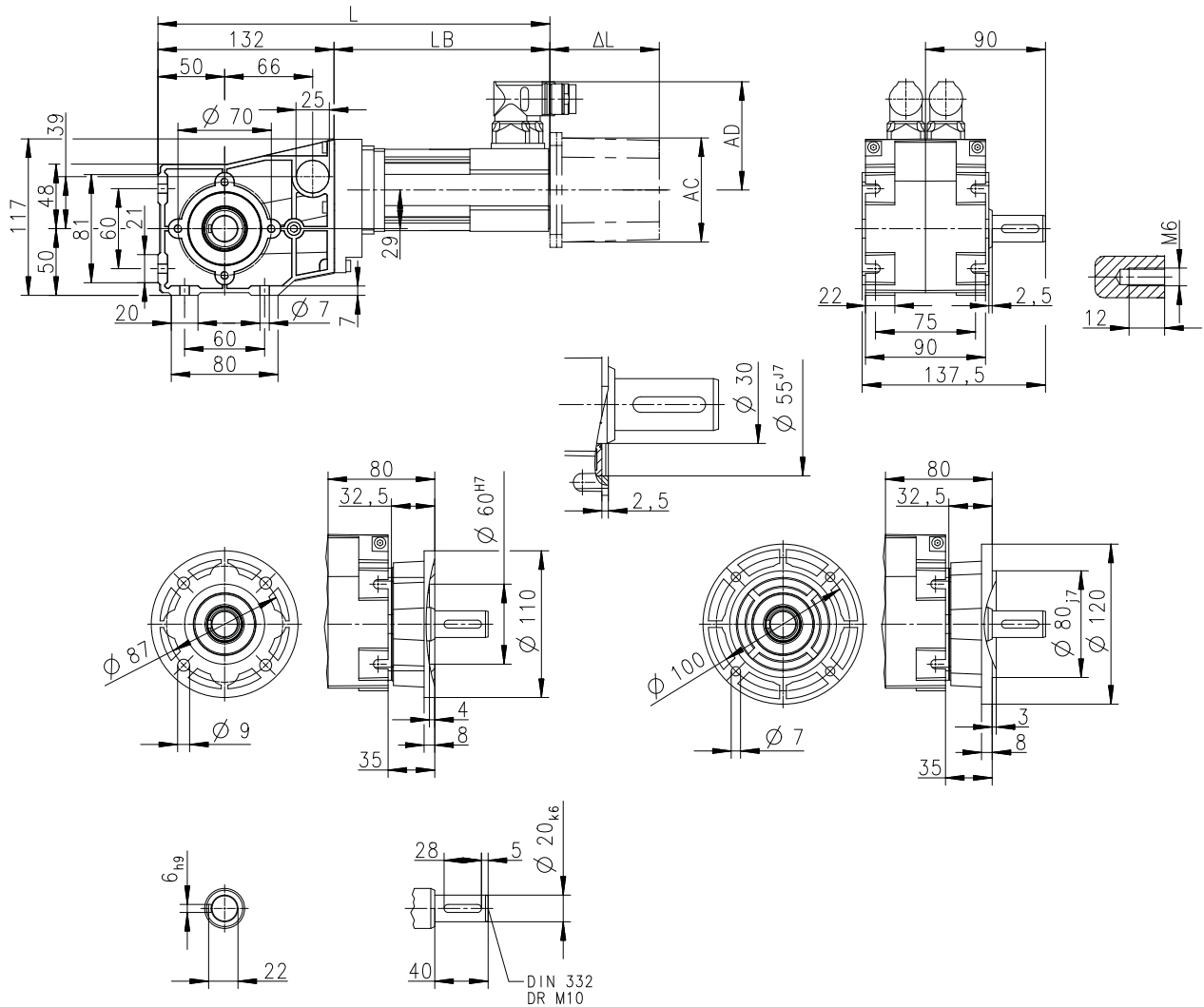


Technical data

Dimensions
Basic dimensions

g500-B45 with MCS06

Gearbox design: solid shaft, with foot (VAR/VBR/VAK)

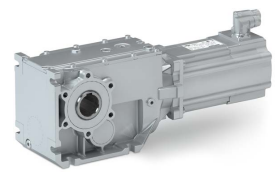


8800146-00

Motor			MCS		
			06C41-06C41L	06F41-06F41L	06I41-06I41L
Cooling type			Natural	Natural	Natural
Total length	L	mm	294	324	354
Motor length	LB	mm	162	192	222
Length of motor options	Δ L	mm		142	
Motor diameter	AC	mm		86	
Motor/connection distance	AD	mm		77	

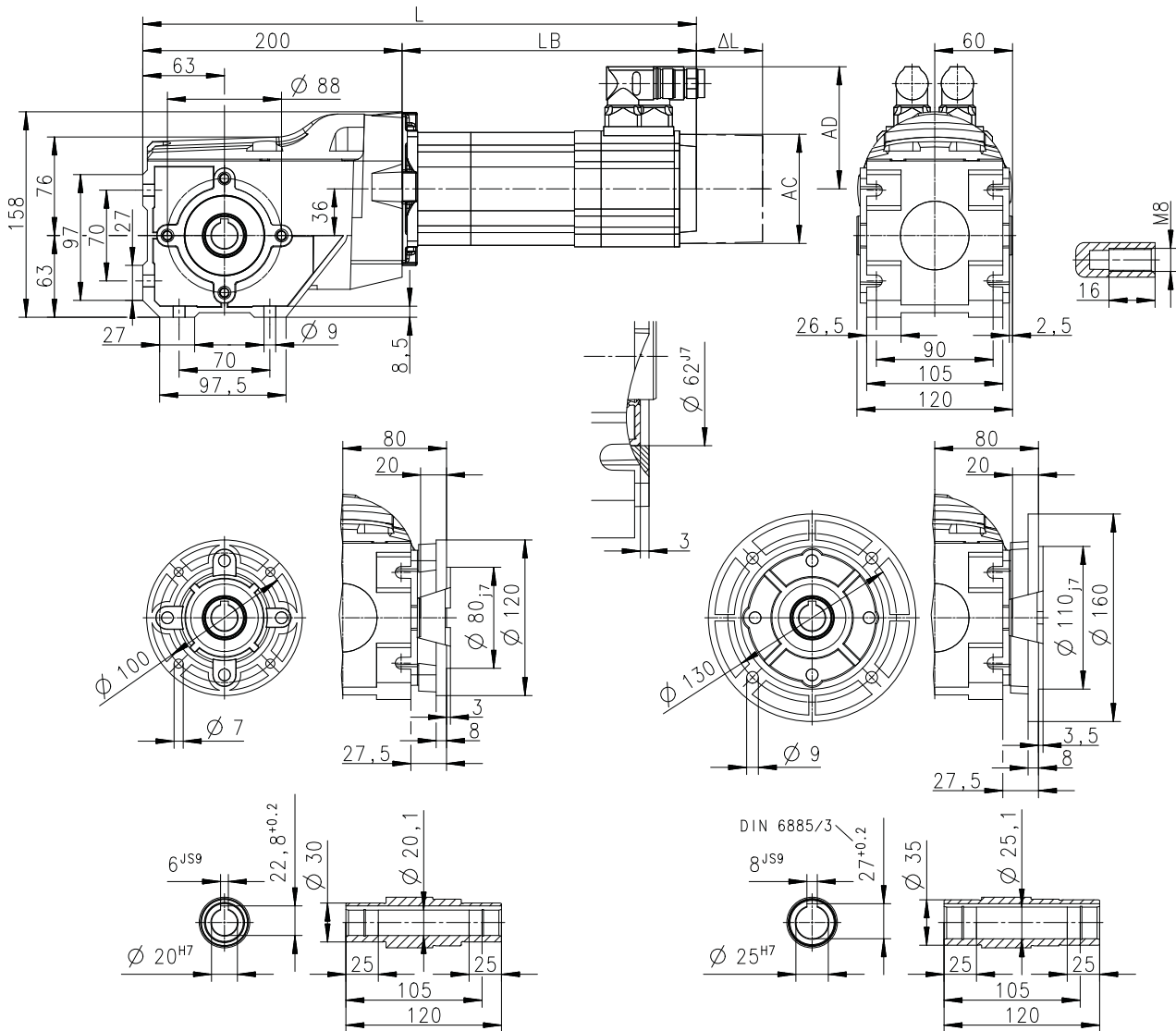
Technical data

Dimensions
Basic dimensions



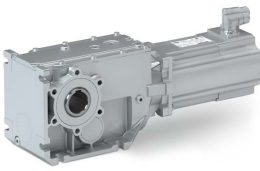
g500-B110 with MCS06

Gearbox design: hollow shaft, with foot (HAR/HBR/HAK)



8800153-01

Motor			MCS		
			06C41- 06C41L	06F41- 06F41L	06I41- 06I41L
Cooling type			Natural	Natural	Natural
Total length	L	mm	331	361	391
Motor length	LB	mm	131	161	191
Length of motor options	Δ L	mm		142	
Motor diameter	AC	mm		86	
Motor/connection distance	AD	mm		77	

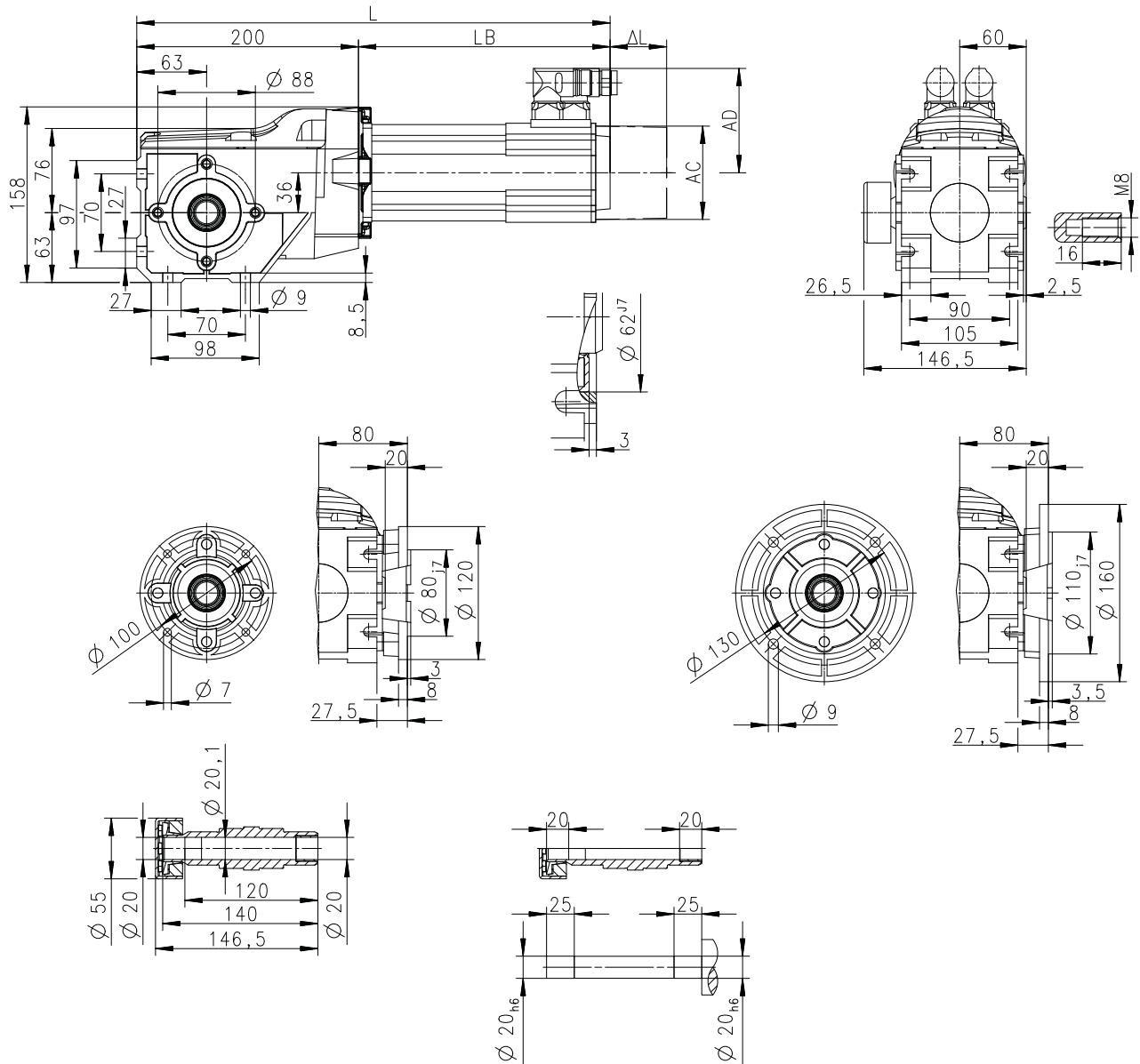


Technical data

Dimensions
Basic dimensions

g500-B110 with MCS06

Gearbox design: Hollow shaft with shrink disc, with foot (SAR/SBR/SAK)



8800221-00

Motor			MCS		
			06C41-06C41L	06F41-06F41L	06I41-06I41L
Cooling type			Natural	Natural	Natural
Total length	L	mm	331	361	391
Motor length	LB	mm	131	161	191
Length of motor options	Δ L	mm		142	
Motor diameter	AC	mm		86	
Motor/connection distance	AD	mm		77	

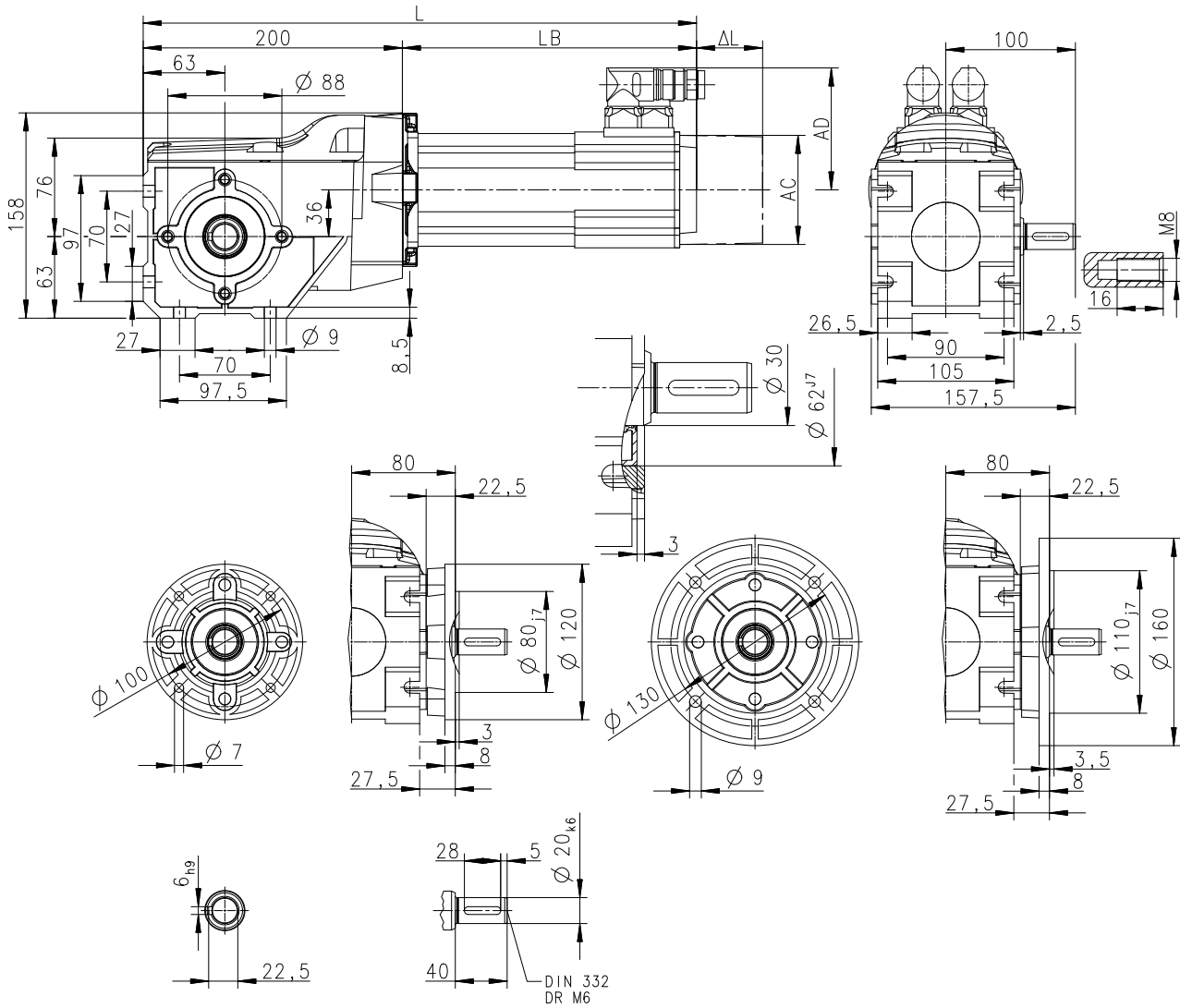
Technical data

Dimensions
Basic dimensions



g500-B110 with MCS06

Gearbox design: solid shaft, with foot (VAR/VBR/VAK)



8800154-00

Motor			MCS		
			06C41-06C41L	06F41-06F41L	06I41-06I41L
Cooling type			Natural	Natural	Natural
Total length	L	mm	331	361	391
Motor length	LB	mm	131	161	191
Length of motor options	Δ L	mm		142	
Motor diameter	AC	mm		86	
Motor/connection distance	AD	mm		77	

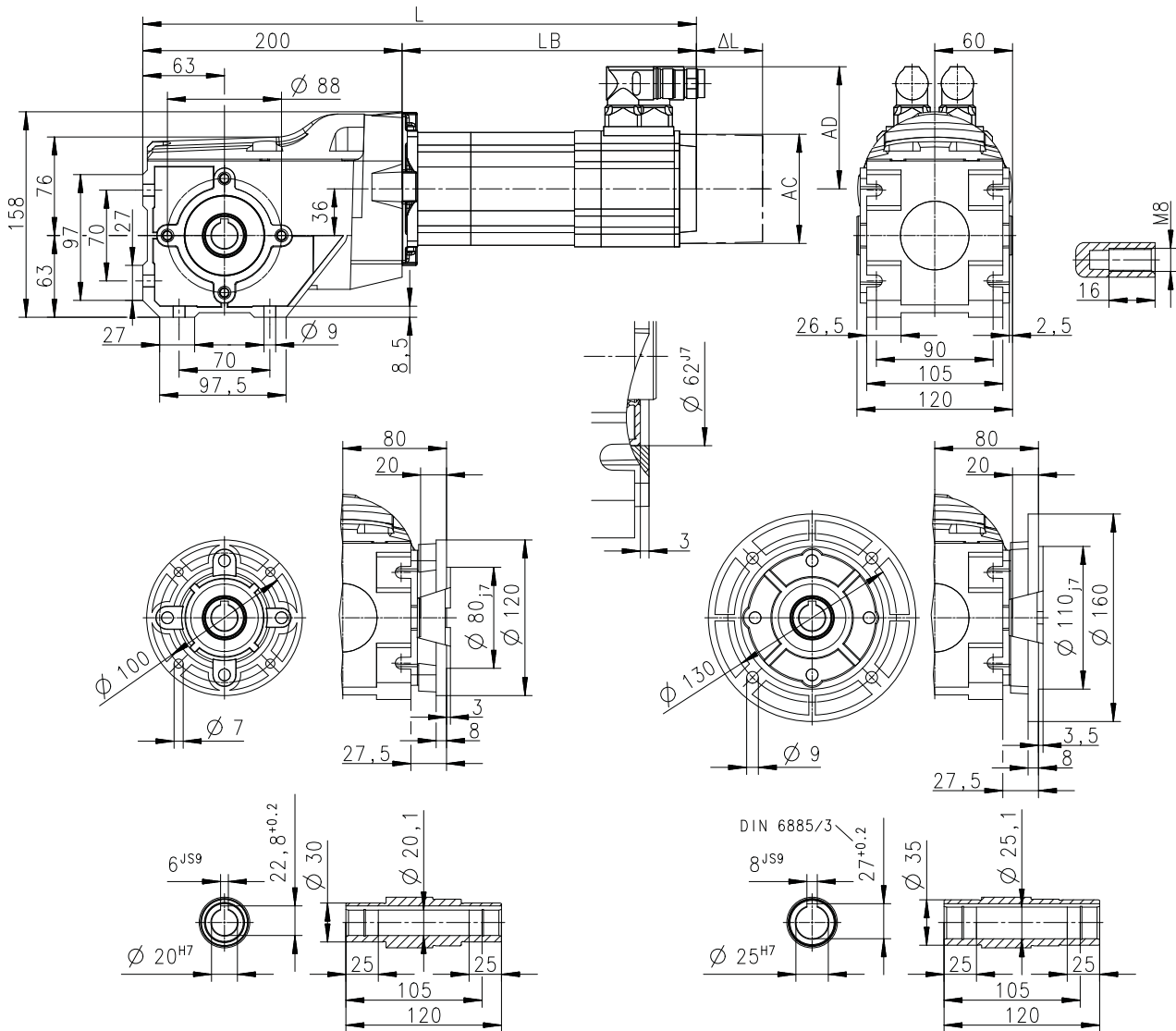


Technical data

Dimensions
Basic dimensions

g500-B110 with MCS09

Gearbox design: hollow shaft, with foot (HAR/HBR/HAK)

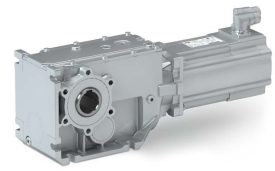


8800153-01

Motor			MCS			
			09D41-09D41L	09F38-09F38L	09H41-09H41L	09L41-09L41L
Cooling type			Natural	Natural	Natural	Natural
Total length	L	mm	384	404	424	464
Motor length	LB	mm	184	204	224	264
Length of motor options	Δ L	mm	71			
Motor diameter	AC	mm	89			
Motor/connection distance	AD	mm	90			

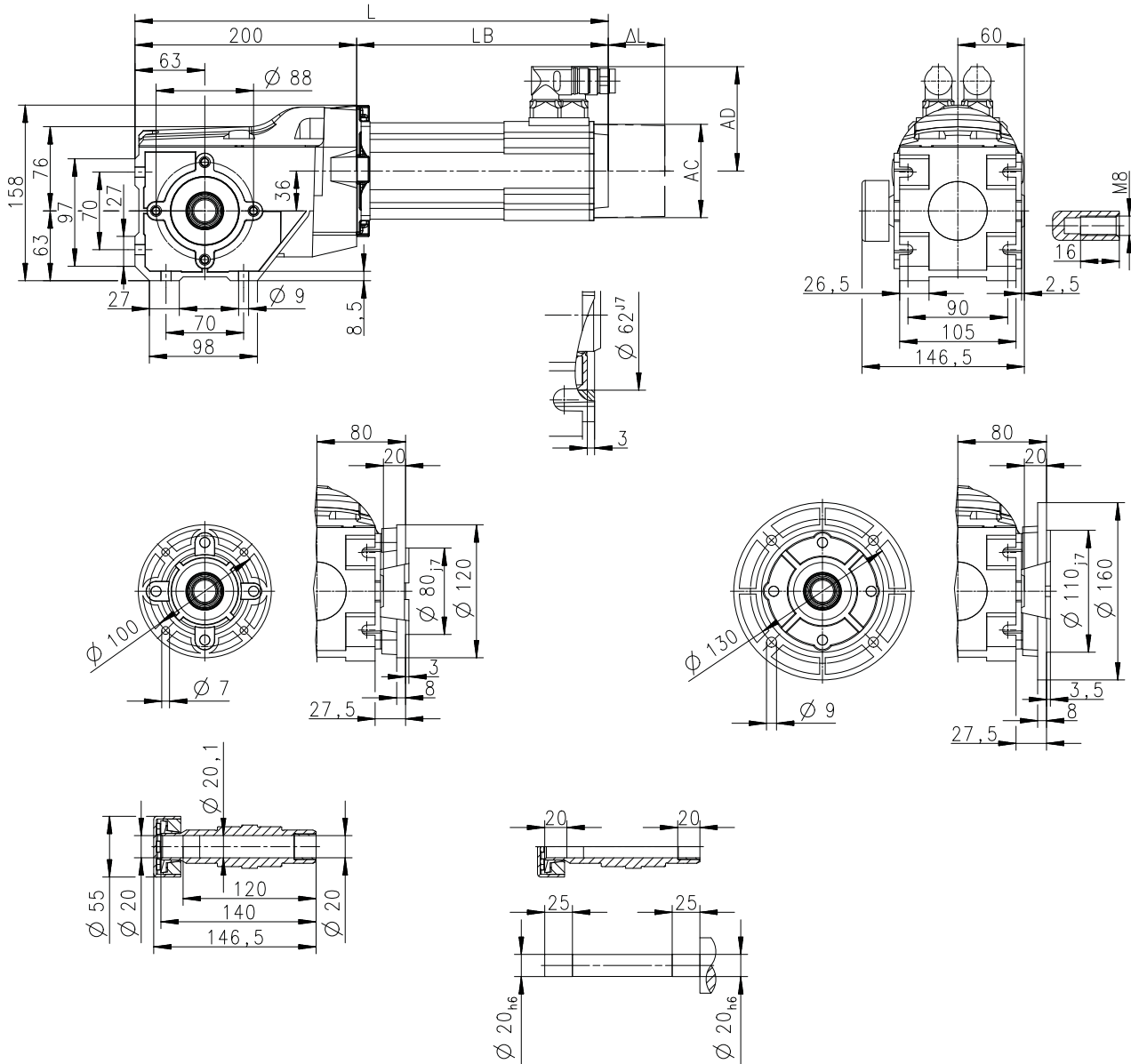
Technical data

Dimensions
Basic dimensions



g500-B110 with MCS09

Gearbox design: Hollow shaft with shrink disc, with foot (SAR/SBR/SAK)



8800221-00

Motor			MCS			
			09D41-09D41L	09F38-09F38L	09H41-09H41L	09L41-09L41L
Cooling type			Natural	Natural	Natural	Natural
Total length	L	mm	384	404	424	464
Motor length	LB	mm	184	204	224	264
Length of motor options	ΔL	mm	71			
Motor diameter	AC	mm	89			
Motor/connection distance	AD	mm	90			

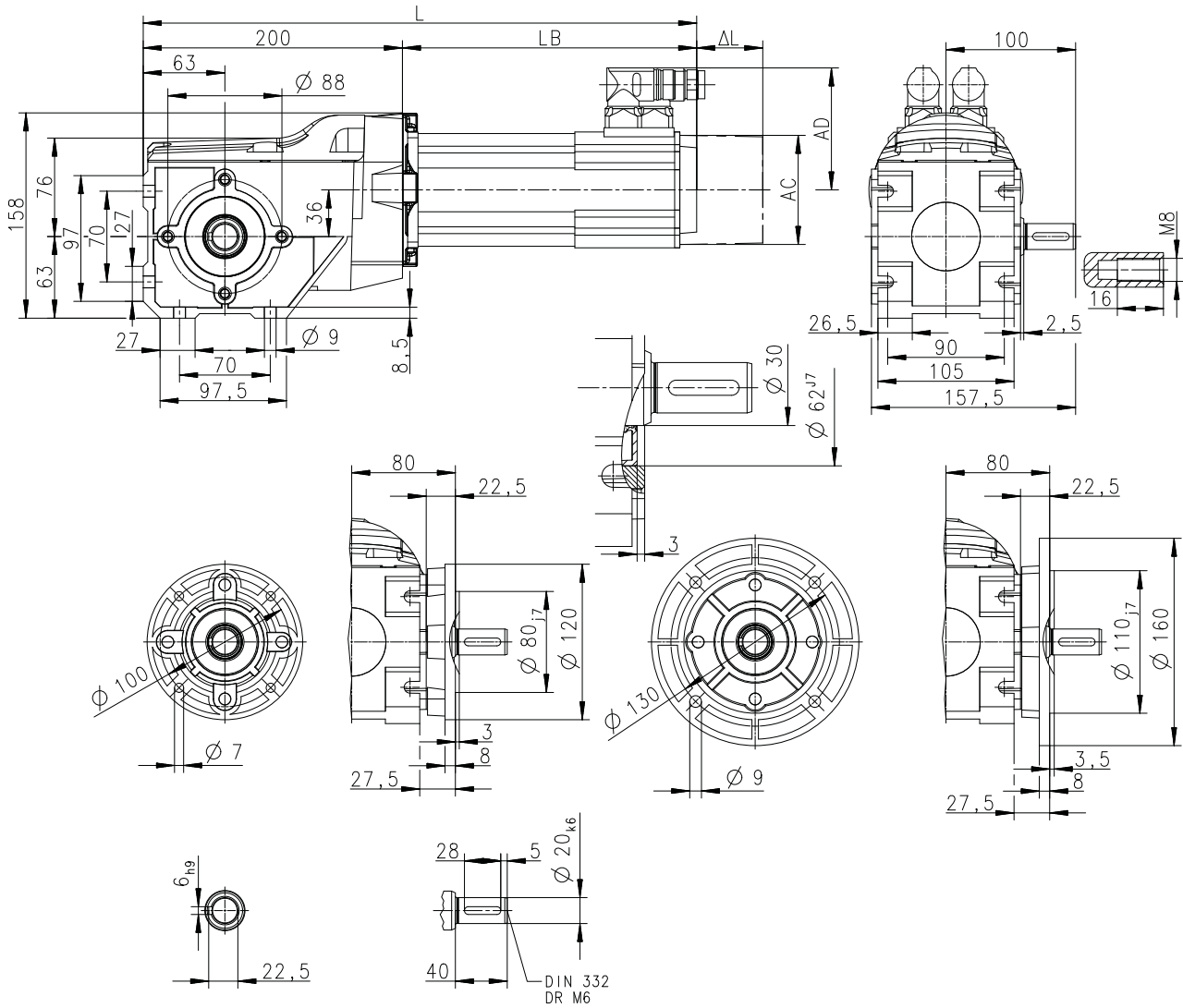


Technical data

Dimensions
Basic dimensions

g500-B110 with MCS09

Gearbox design: solid shaft, with foot (VAR/VBR/VAK)



8800154-00

Motor			MCS			
			09D41- 09D41L	09F38- 09F38L	09H41- 09H41L	09L41- 09L41L
Cooling type			Natural	Natural	Natural	Natural
Total length	L	mm	384	404	424	464
Motor length	LB	mm	184	204	224	264
Length of motor options	ΔL	mm	71			
Motor diameter	AC	mm	89			
Motor/connection distance	AD	mm	90			

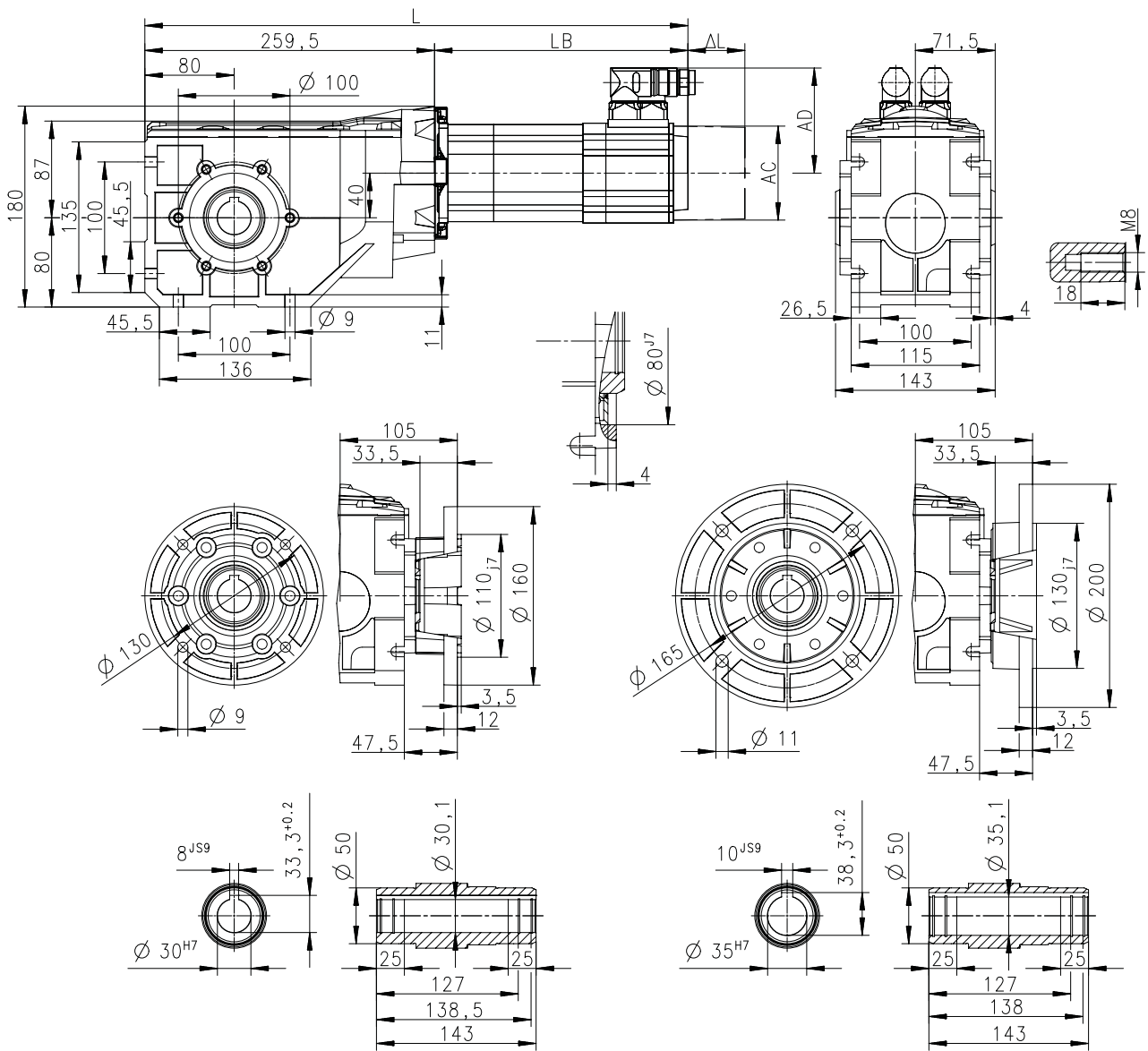
Technical data

Dimensions
Basic dimensions



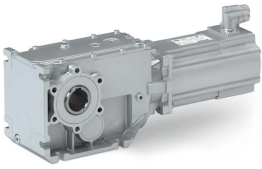
g500-B240 with MCS06

Gearbox design: hollow shaft, with foot (HAR/HBR/HAK)



8800161-01

Motor			MCS		
			06C41-06C41L	06F41-06F41L	06I41-06I41L
Cooling type			Natural	Natural	Natural
Total length	L	mm	391	421	451
Motor length	LB	mm	131	161	191
Length of motor options	Δ L	mm		142	
Motor diameter	AC	mm		86	
Motor/connection distance	AD	mm		77	

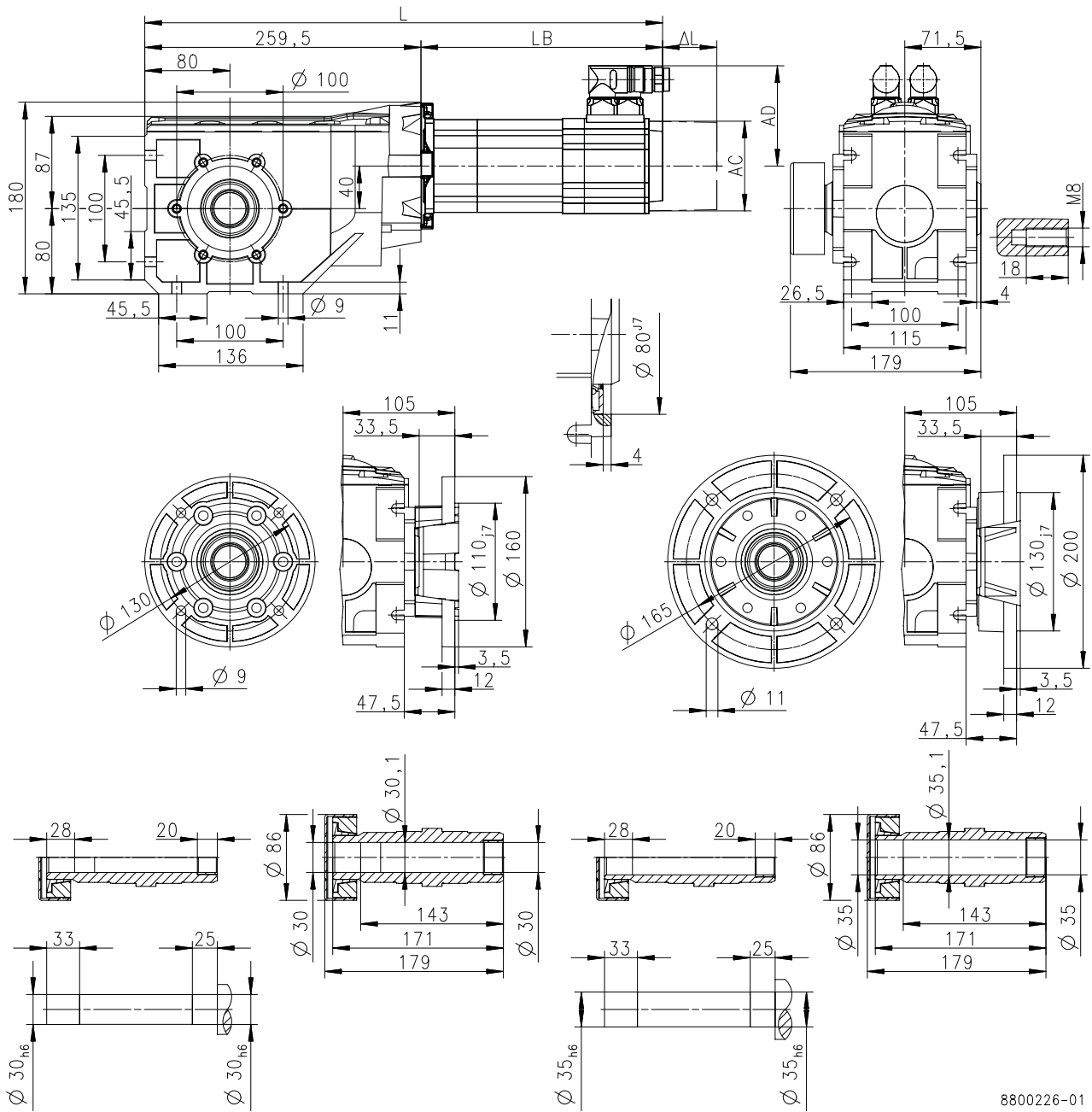


Technical data

Dimensions
Basic dimensions

g500-B240 with MCS06

Gearbox design: Hollow shaft with shrink disc, with foot (SAR/SBR/SAK)



8800226-01

Motor			MCS		
			06C41-06C41L	06F41-06F41L	06I41-06I41L
Cooling type			Natural	Natural	Natural
Total length	L	mm	391	421	451
Motor length	LB	mm	131	161	191
Length of motor options	Δ L	mm		142	
Motor diameter	AC	mm		86	
Motor/connection distance	AD	mm		77	

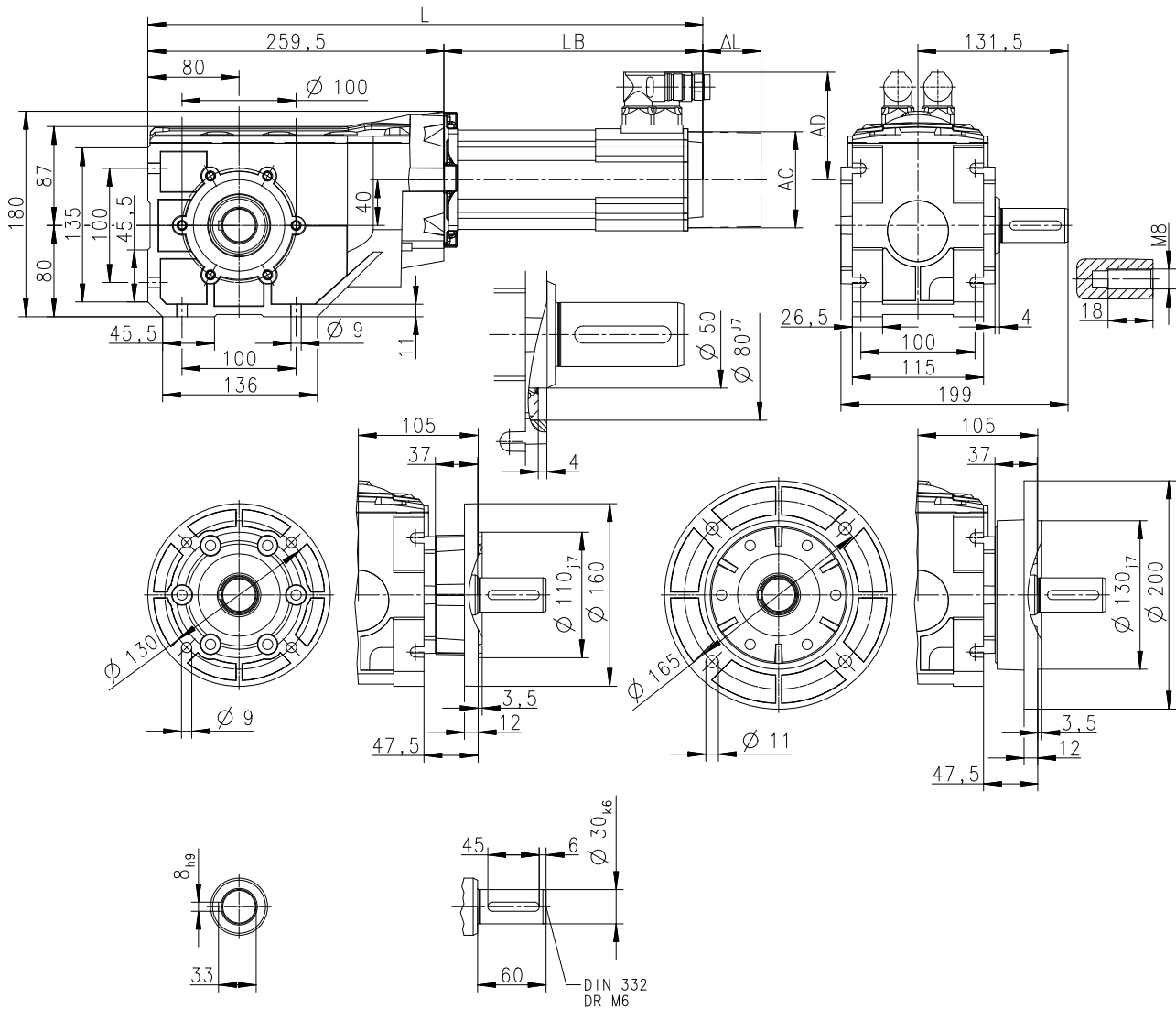
Technical data

Dimensions
Basic dimensions



g500-B240 with MCS06

Gearbox design: solid shaft, with foot (VAR/VBR/VAK)



8800162-00

Motor			MCS		
			06C41- 06C41L	06F41- 06F41L	06I41- 06I41L
Cooling type			Natural	Natural	Natural
Total length	L	mm	391	421	451
Motor length	LB	mm	131	161	191
Length of motor options	Δ L	mm		142	
Motor diameter	AC	mm		86	
Motor/connection distance	AD	mm		77	

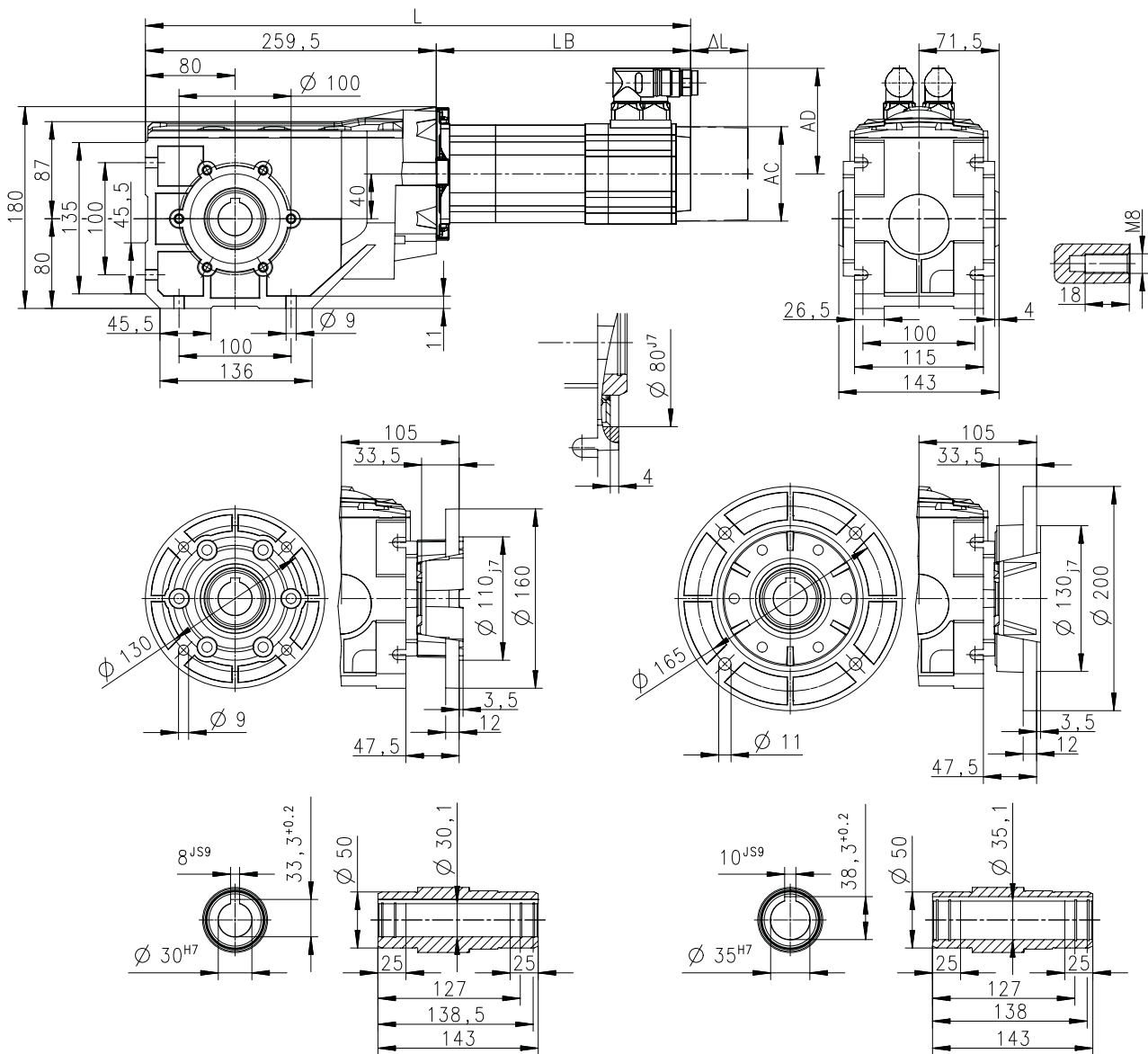


Technical data

Dimensions
Basic dimensions

g500-B240 with MCS09

Gearbox design: hollow shaft, with foot (HAR/HBR/HAK)

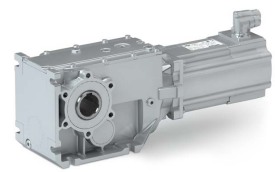


8800161-01

Motor			MCS			
			09D41- 09D41L	09F38- 09F38L	09H41- 09H41L	09L41- 09L41L
Cooling type			Natural	Natural	Natural	Natural
Total length	L	mm	443	463	483	523
Motor length	LB	mm	184	204	224	264
Length of motor options	Δ L	mm	71			
Motor diameter	AC	mm	89			
Motor/connection distance	AD	mm	90			

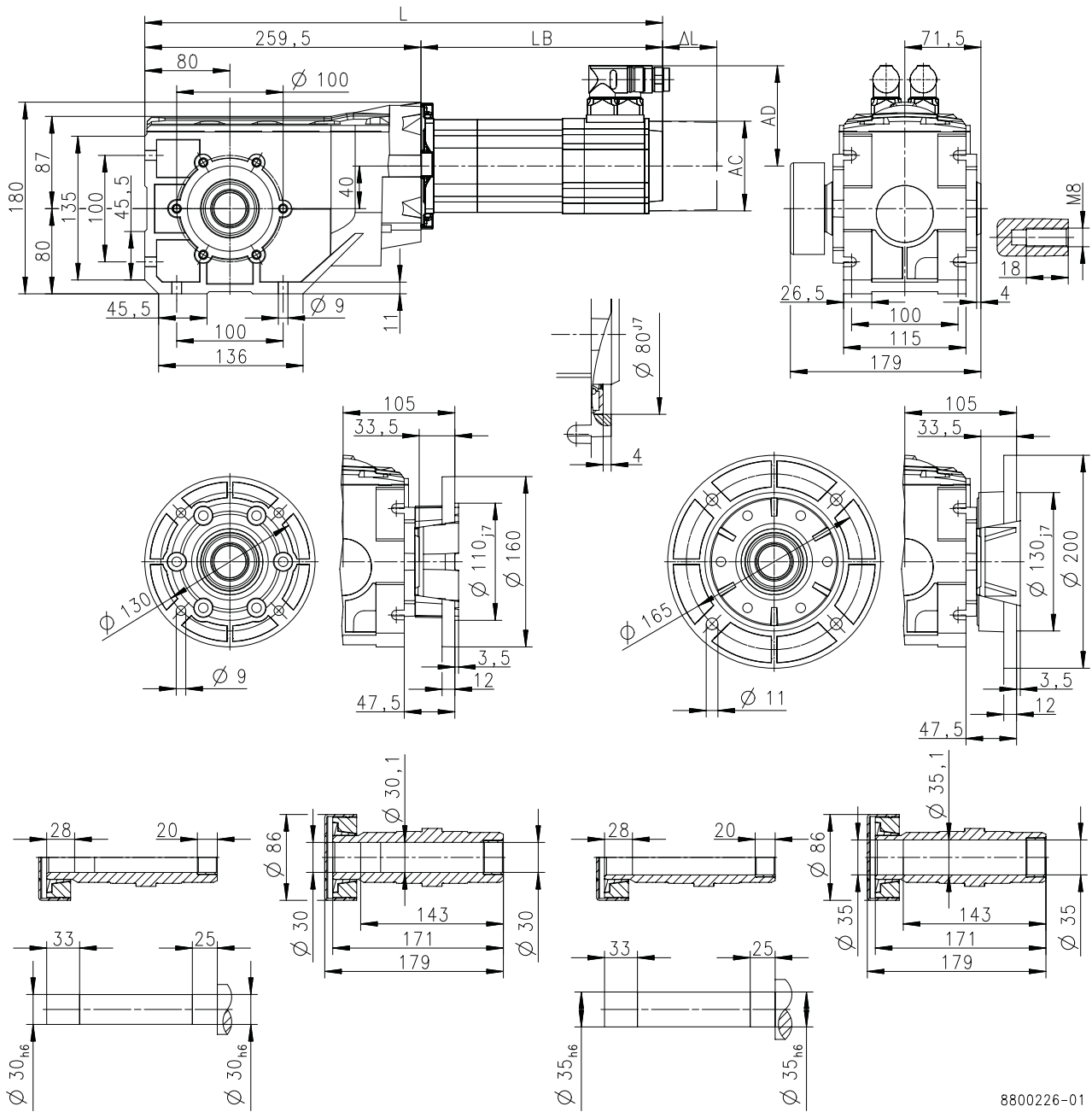
Technical data

Dimensions
Basic dimensions



g500-B240 with MCS09

Gearbox design: Hollow shaft with shrink disc, with foot (SAR/SBR/SAK)



8800226-01

Motor			MCS			
			09D41-09D41L	09F38-09F38L	09H41-09H41L	09L41-09L41L
Cooling type			Natural	Natural	Natural	Natural
Total length	L	mm	443	463	483	523
Motor length	LB	mm	184	204	224	264
Length of motor options	Δ L	mm	71			
Motor diameter	AC	mm	89			
Motor/connection distance	AD	mm	90			

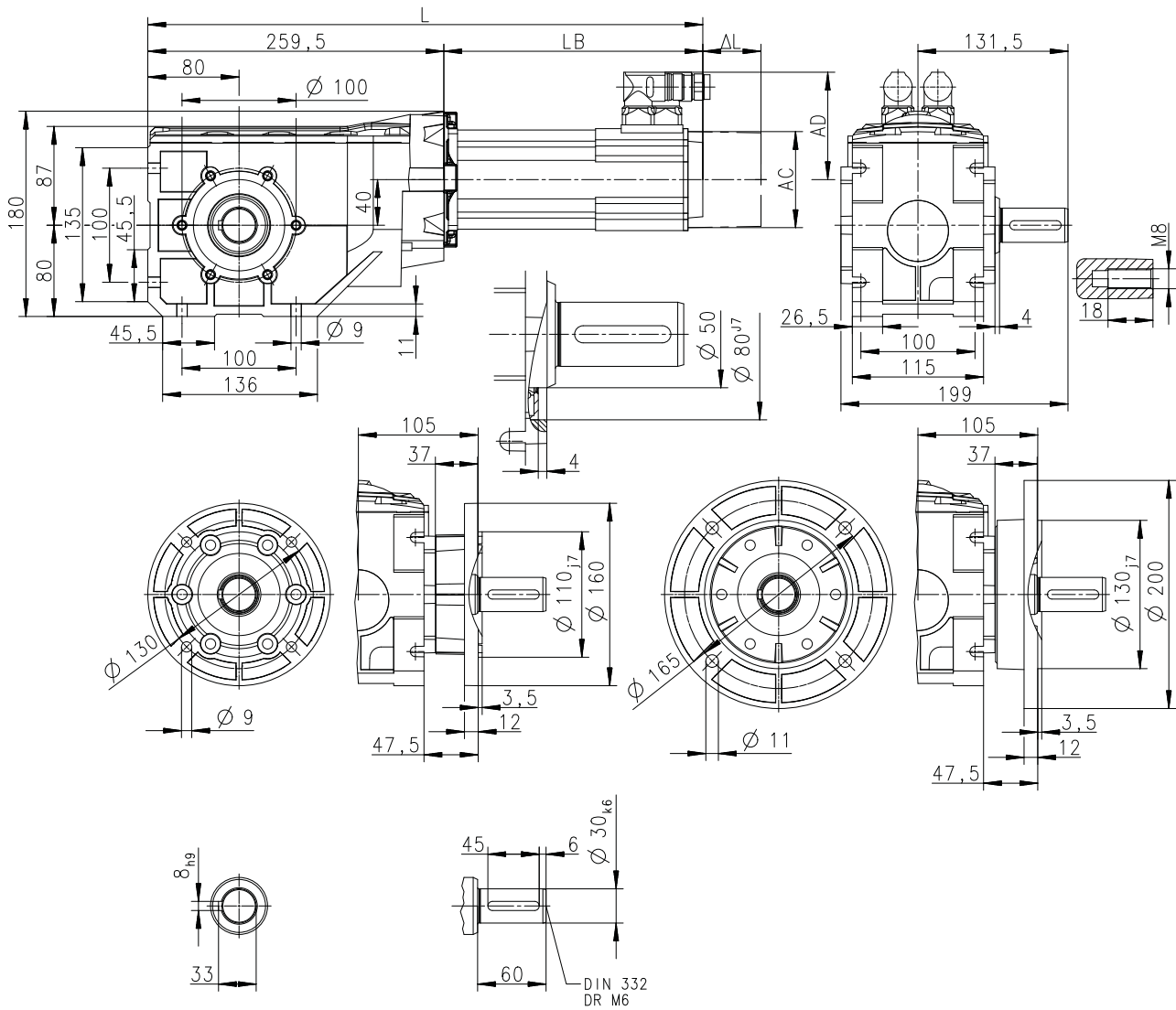


Technical data

Dimensions
Basic dimensions

g500-B240 with MCS09

Gearbox design: solid shaft, with foot (VAR/VBR/VAK)



8800162-00

Motor			MCS			
			09D41-09D41L	09F38-09F38L	09H41-09H41L	09L41-09L41L
Cooling type			Natural	Natural	Natural	Natural
Total length	L	mm	443	463	483	523
Motor length	LB	mm	184	204	224	264
Length of motor options	ΔL	mm	71			
Motor diameter	AC	mm	89			
Motor/connection distance	AD	mm	90			

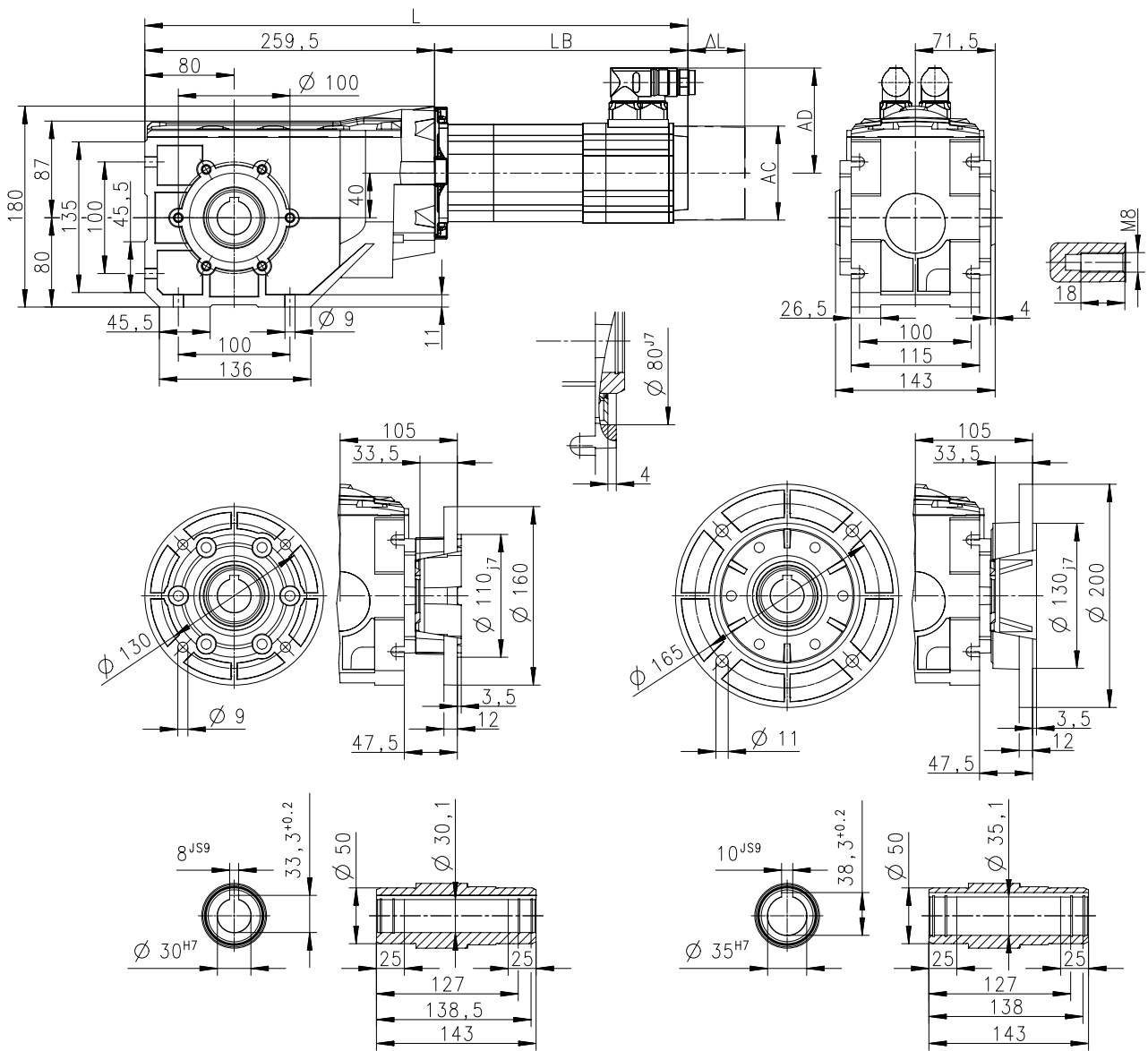
Technical data

Dimensions
Basic dimensions



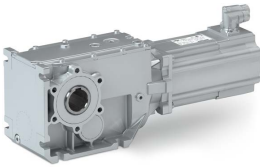
g500-B240 with MCS12

Gearbox design: hollow shaft, with foot (HAR/HBR/HAK)



8800161-01

Motor			MCS					
			12D17-	12D20- 12D20L	12D35-	12D41- 12D41L	12H14-	12H15- 12H15L
Cooling type			Forced	Natural	Forced	Natural	Forced	Natural
Total length	L	mm	533	460	533	460	573	500
Motor length	LB	mm	274	201	274	201	314	241
Length of motor options	Δ L	mm	63	69	63	69	63	69
Motor diameter	AC	mm	140	116	140	116	140	116
Motor/connection distance	AD	mm	105	105	105	105	105	105

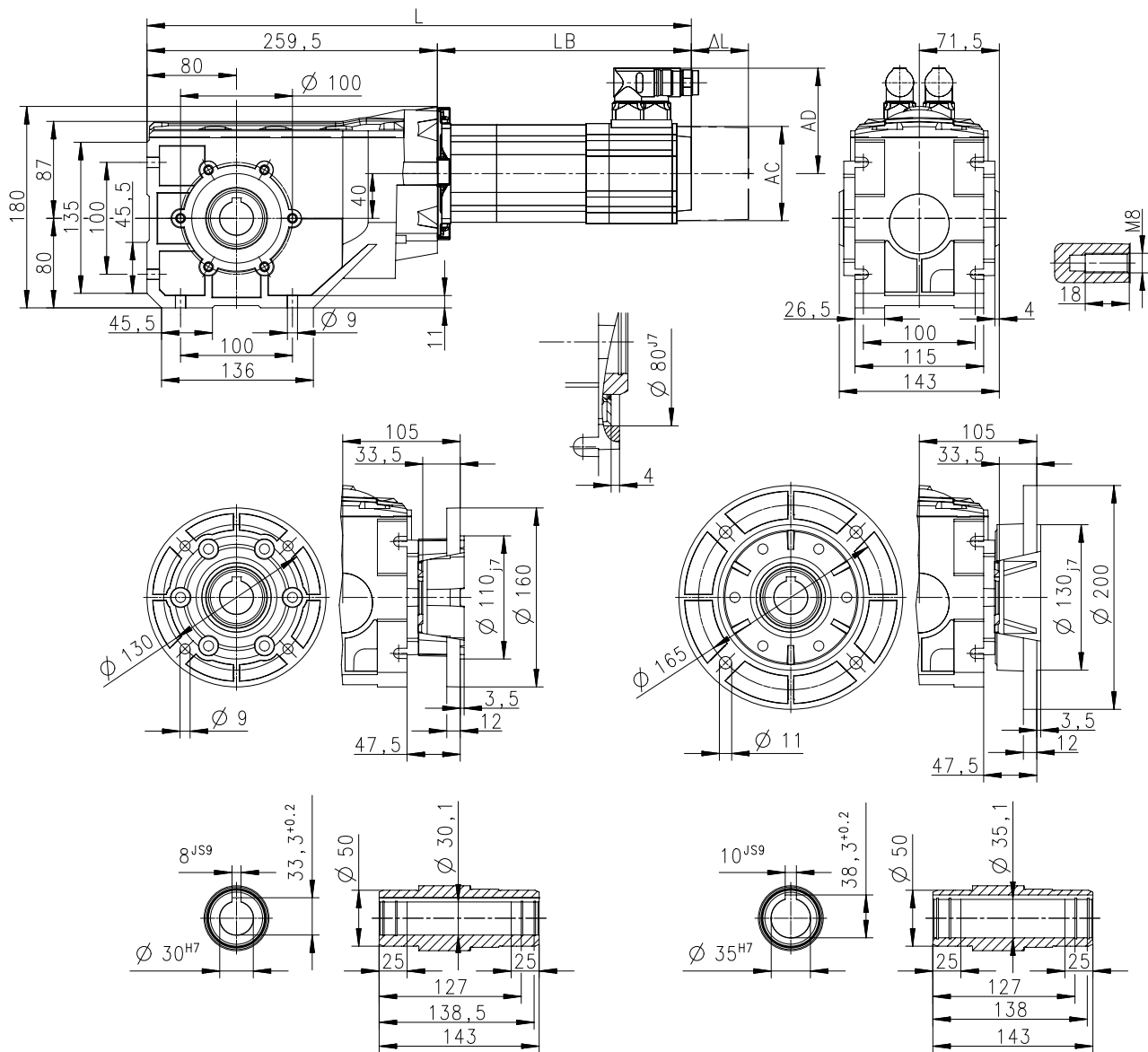


Technical data

Dimensions
Basic dimensions

g500-B240 with MCS12

Gearbox design: hollow shaft, with foot (HAR/HBR/HAK)



8800161-01

Motor			MCS					
			12H34-	12H35- 12H30L	12L17-	12L20- 12L20L	12L39-	12L41- 12L41L
Cooling type			Forced	Natural	Forced	Natural	Forced	Natural
Total length	L	mm	573	500	613	540	613	540
Motor length	LB	mm	314	241	354	281	354	281
Length of motor options	Δ L	mm	63	69	63	69	63	69
Motor diameter	AC	mm	140	116	140	116	140	116
Motor/connection distance	AD	mm	105	105	105	105	105	105

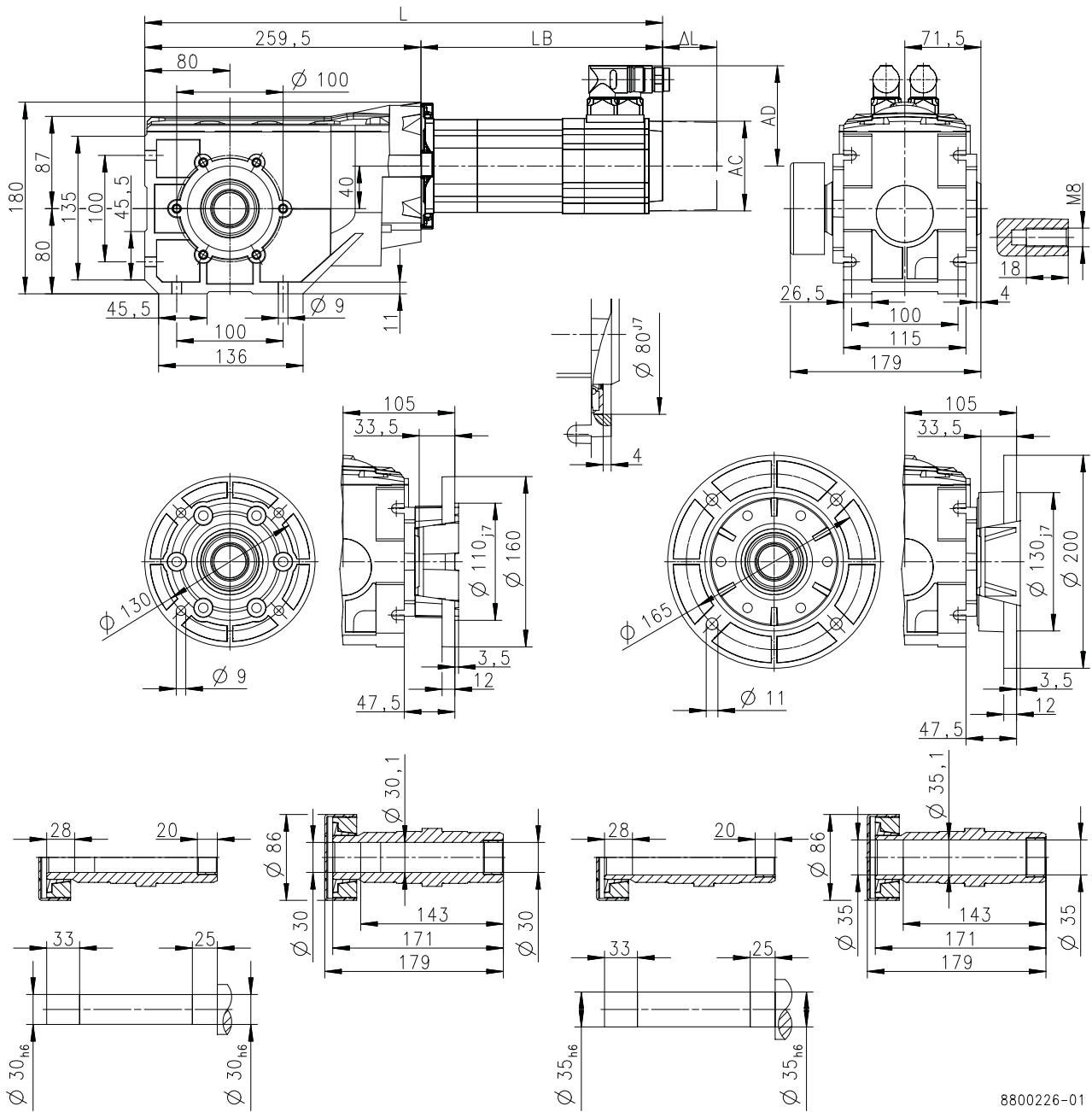
Technical data

Dimensions
Basic dimensions



g500-B240 with MCS12

Gearbox design: Hollow shaft with shrink disc, with foot (SAR/SBR/SAK)



8800226-01

Motor			MCS					
			12D17-	12D20- 12D20L	12D35-	12D41- 12D41L	12H14-	12H15- 12H15L
Cooling type			Forced	Natural	Forced	Natural	Forced	Natural
Total length	L	mm	533	460	533	460	573	500
Motor length	LB	mm	274	201	274	201	314	241
Length of motor options	Δ L	mm	63	69	63	69	63	69
Motor diameter	AC	mm	140	116	140	116	140	116
Motor/connection distance	AD	mm	105	105	105	105	105	105

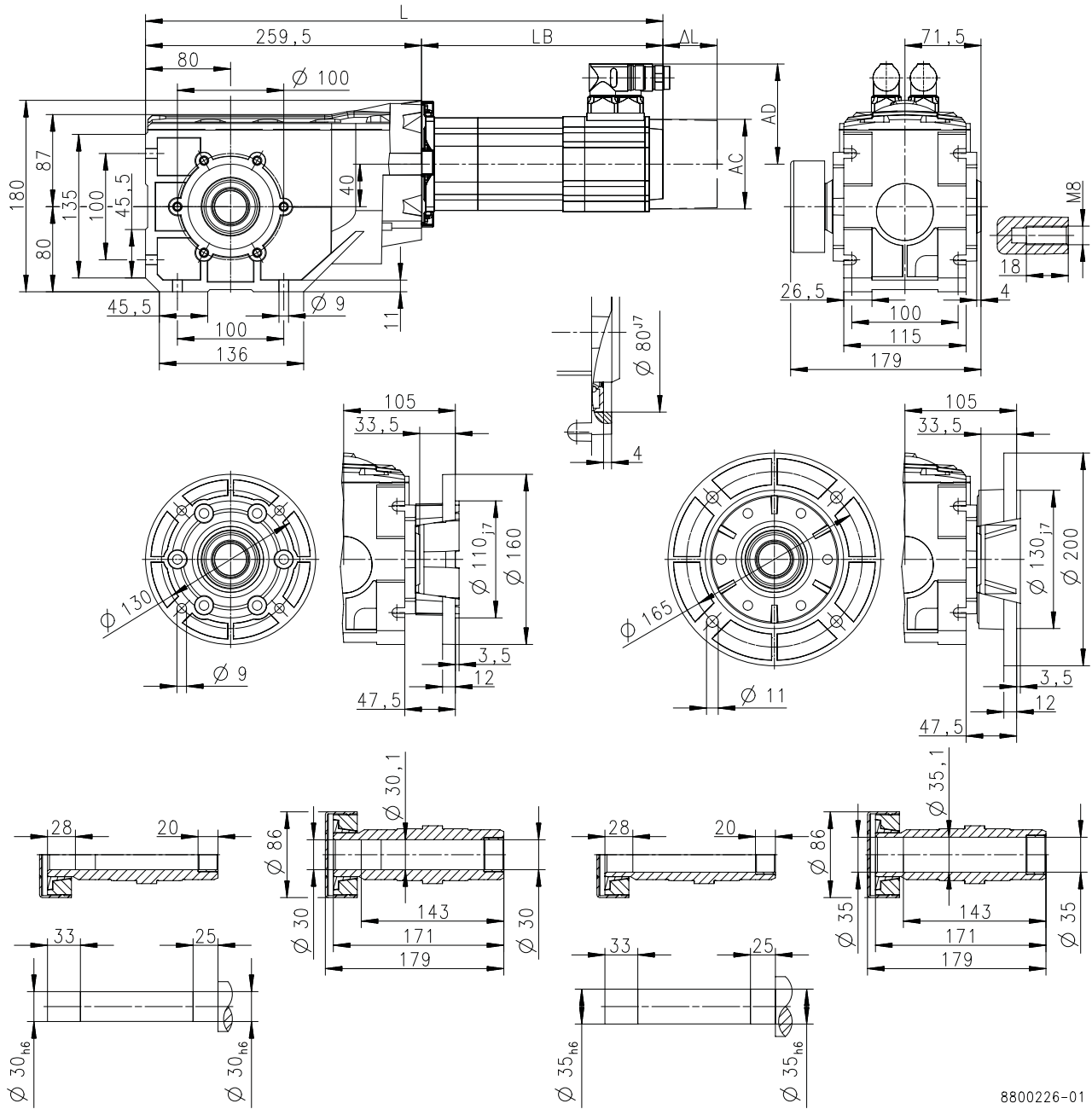


Technical data

Dimensions
Basic dimensions

g500-B240 with MCS12

Gearbox design: Hollow shaft with shrink disc, with foot (SAR/SBR/SAK)



8800226-01

Motor			MCS					
			12H34-	12H35- 12H30L	12L17-	12L20- 12L20L	12L39-	12L41- 12L41L
Cooling type			Forced	Natural	Forced	Natural	Forced	Natural
Total length	L	mm	573	500	613	540	613	540
Motor length	LB	mm	314	241	354	281	354	281
Length of motor options	Δ L	mm	63	69	63	69	63	69
Motor diameter	AC	mm	140	116	140	116	140	116
Motor/connection distance	AD	mm	105	105	105	105	105	105

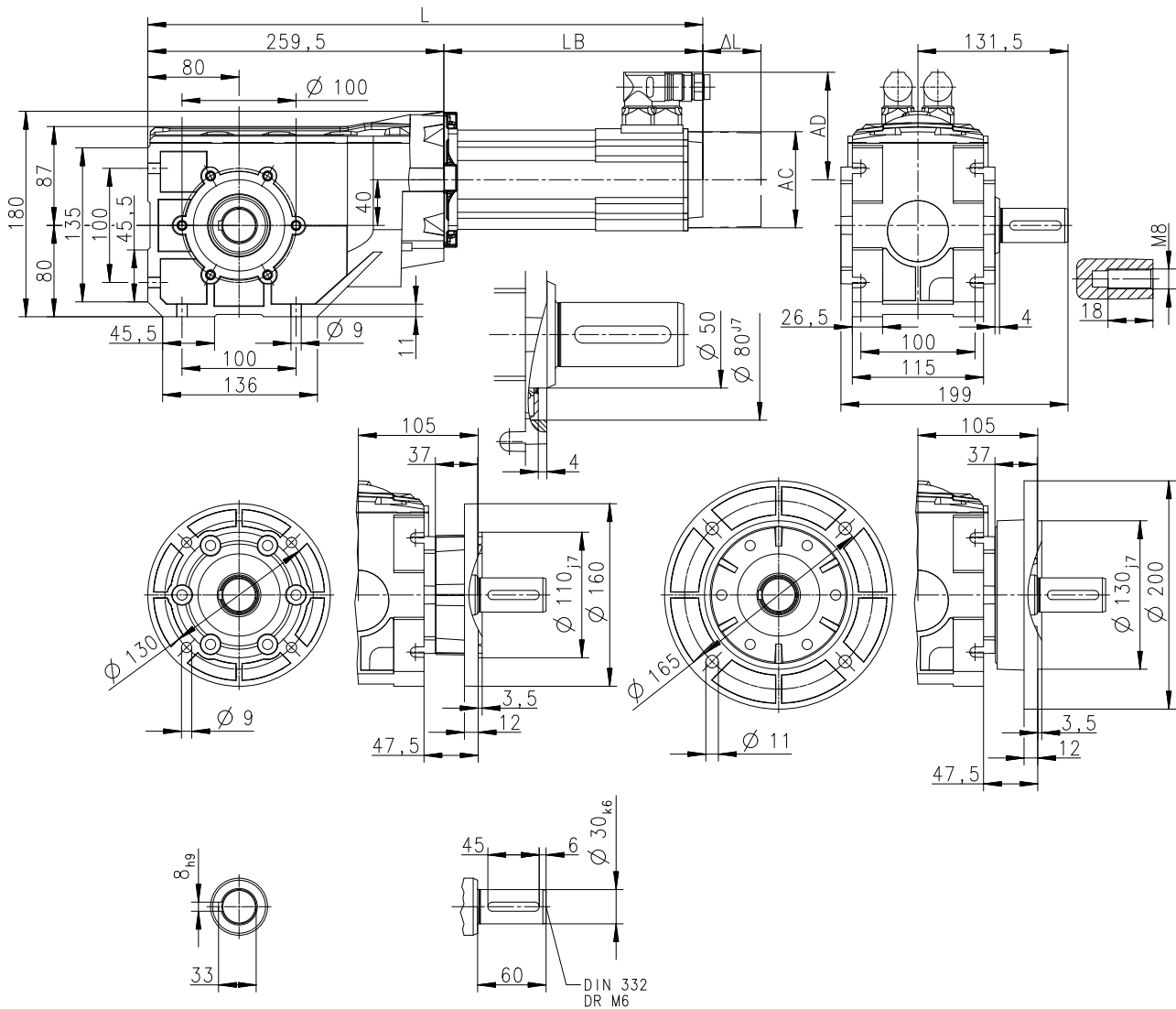
Technical data

Dimensions
Basic dimensions



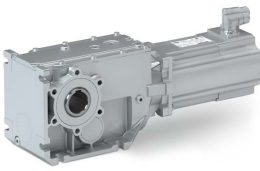
g500-B240 with MCS12

Gearbox design: solid shaft, with foot (VAR/VBR/VAK)



8800162-00

Motor			MCS					
			12D17-	12D20- 12D20L	12D35-	12D41- 12D41L	12H14-	12H15- 12H15L
Cooling type			Forced	Natural	Forced	Natural	Forced	Natural
Total length	L	mm	533	460	533	460	573	500
Motor length	LB	mm	274	201	274	201	314	241
Length of motor options	Δ L	mm	63	69	63	69	63	69
Motor diameter	AC	mm	140	116	140	116	140	116
Motor/connection distance	AD	mm	105	105	105	105	105	105

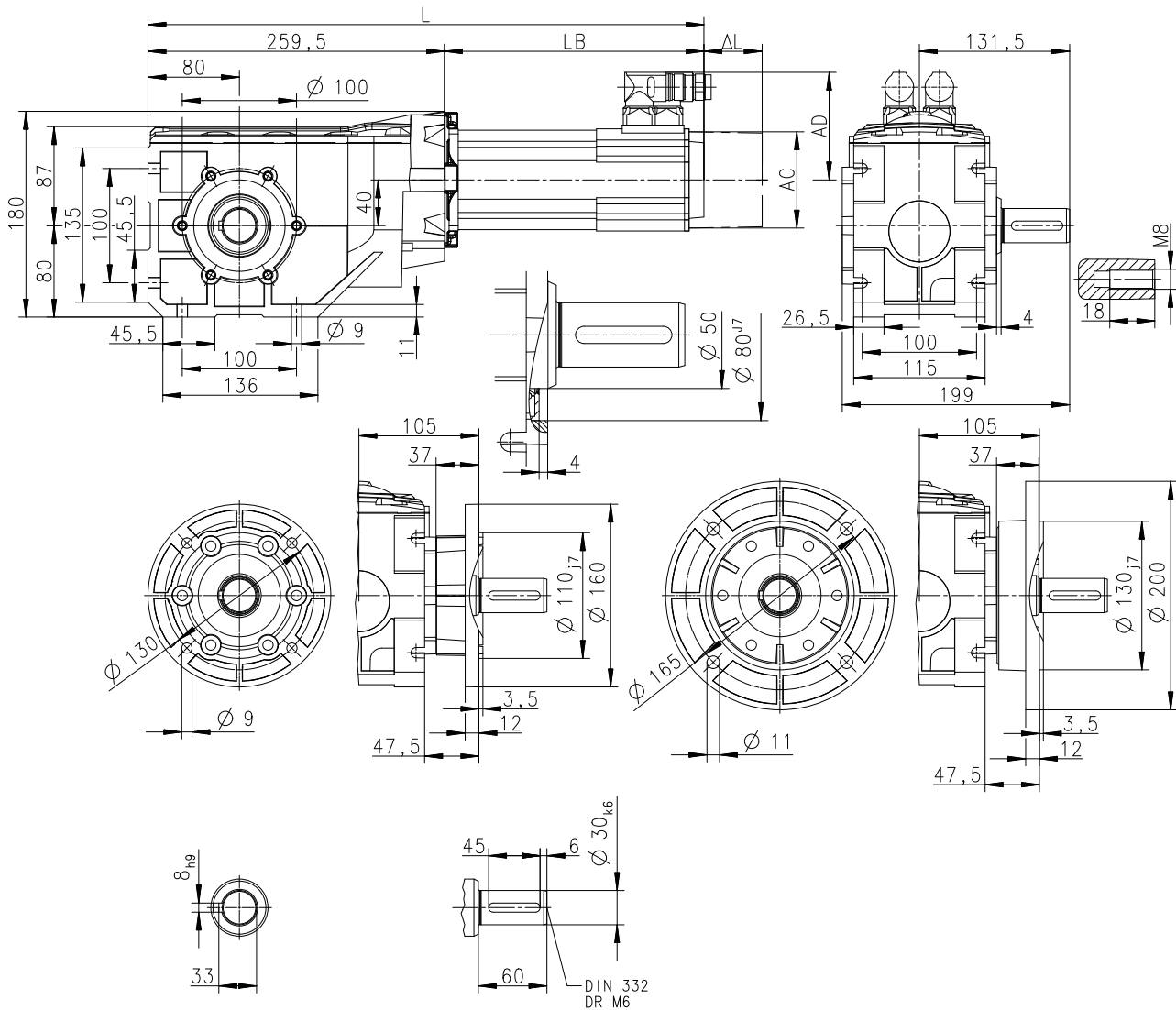


Technical data

Dimensions
Basic dimensions

g500-B240 with MCS12

Gearbox design: solid shaft, with foot (VAR/VBR/VAK)

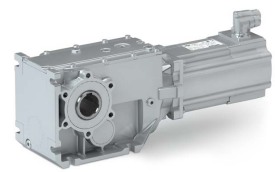


8800162-00

Motor			MCS					
			12H34-	12H35- 12H30L	12L17-	12L20- 12L20L	12L39-	12L41- 12L41L
Cooling type			Forced	Natural	Forced	Natural	Forced	Natural
Total length	L	mm	573	500	613	540	613	540
Motor length	LB	mm	314	241	354	281	354	281
Length of motor options	Δ L	mm	63	69	63	69	63	69
Motor diameter	AC	mm	140	116	140	116	140	116
Motor/connection distance	AD	mm	105	105	105	105	105	105

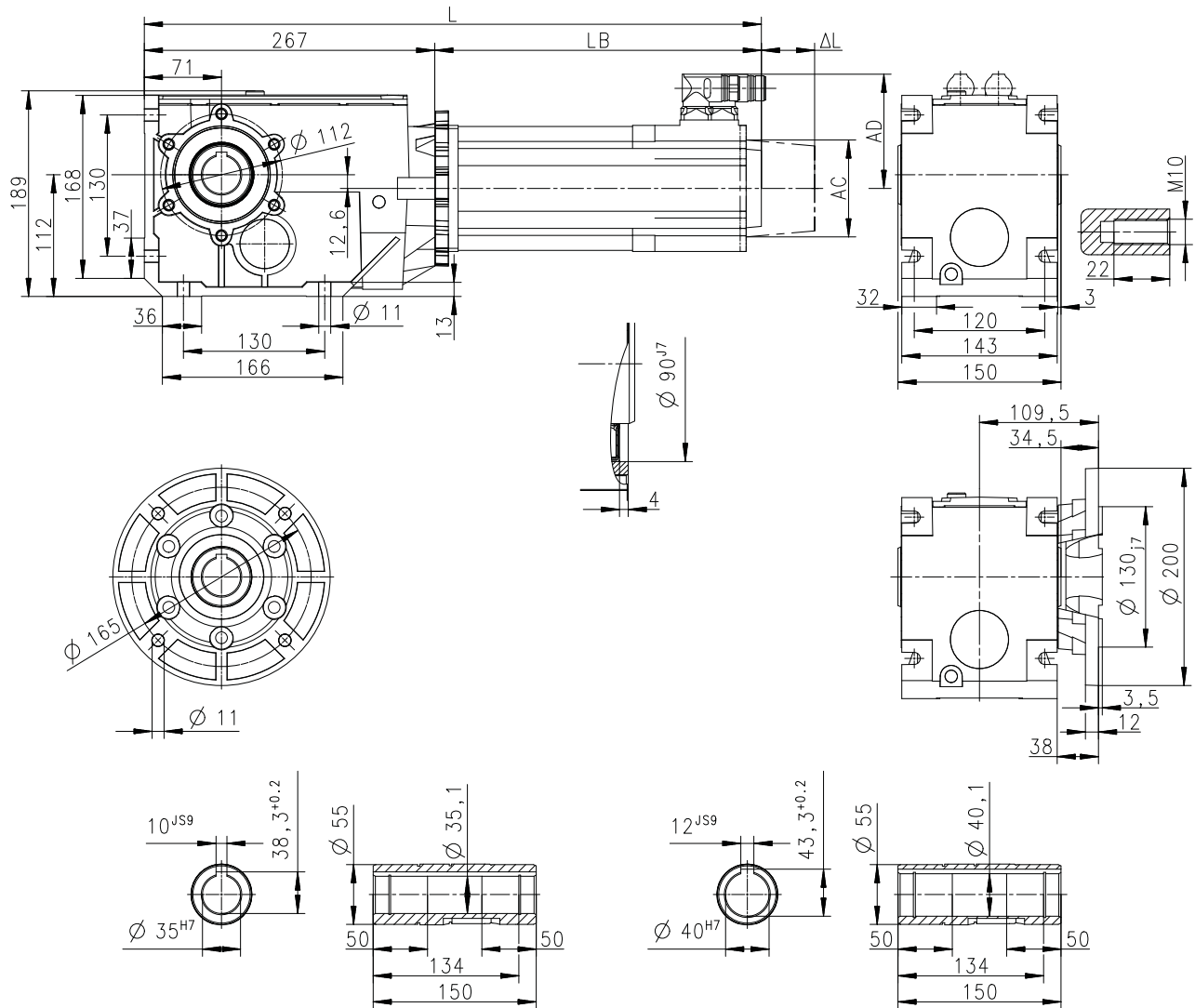
Technical data

Dimensions
Basic dimensions



g500-B450 with MCS06

Gearbox design: hollow shaft, with foot (HAR/HBR/HAK)



8800169-00

Motor			MCS		
			06C41-06C41L	06F41-06F41L	06I41-06I41L
Cooling type			Natural	Natural	Natural
Total length	L	mm	398	428	458
Motor length	LB	mm	131	161	191
Length of motor options	ΔL	mm		142	
Motor diameter	AC	mm		86	
Motor/connection distance	AD	mm		77	

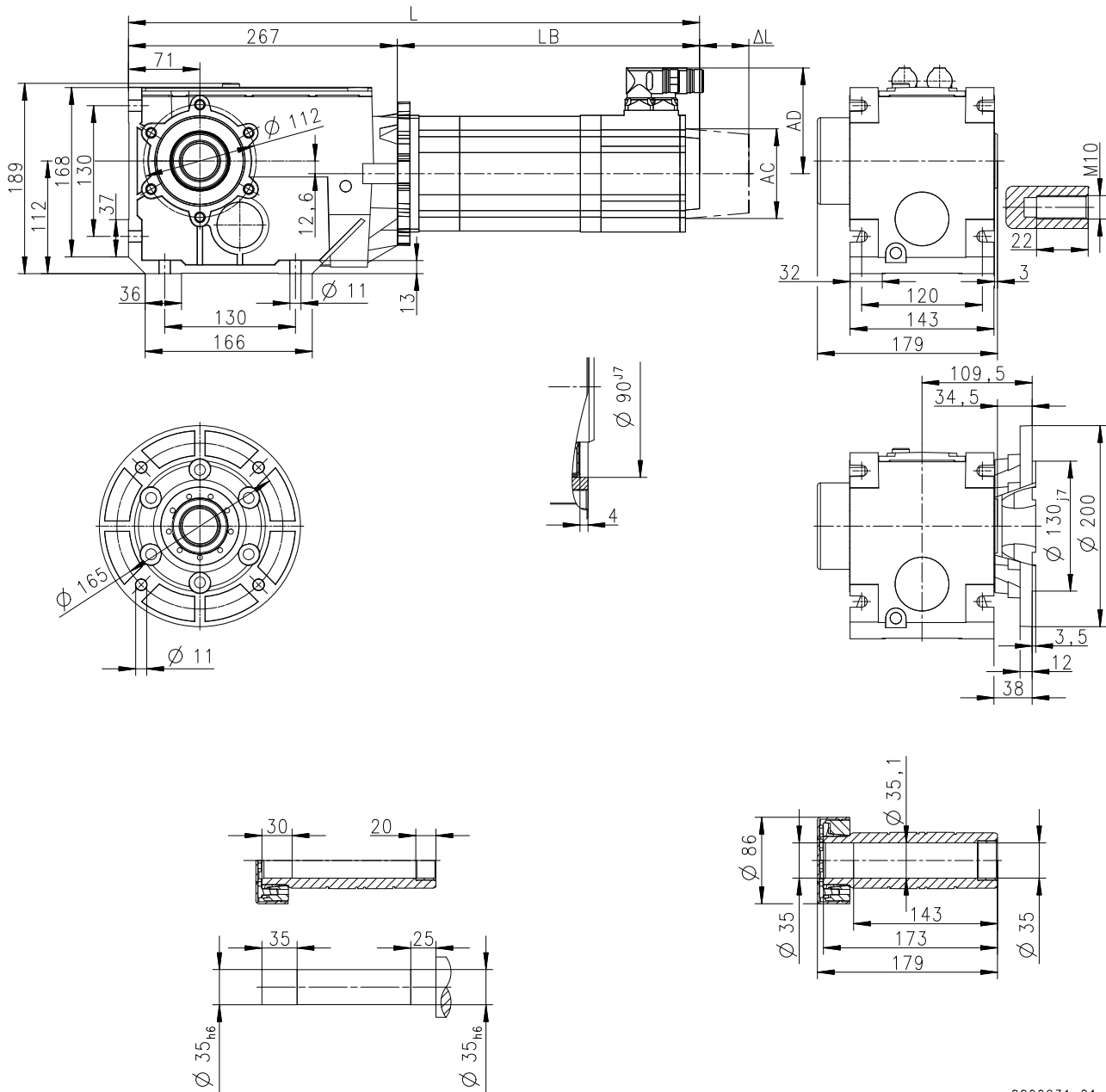


Technical data

Dimensions
Basic dimensions

g500-B450 with MCS06

Gearbox design: Hollow shaft with shrink disc, with foot (SAR/SBR/SAK)



8800231-01

Motor			MCS		
			06C41- 06C41L	06F41- 06F41L	06I41- 06I41L
Cooling type			Natural	Natural	Natural
Total length	L	mm	398	428	458
Motor length	LB	mm	131	161	191
Length of motor options	ΔL	mm		142	
Motor diameter	AC	mm		86	
Motor/connection distance	AD	mm		77	

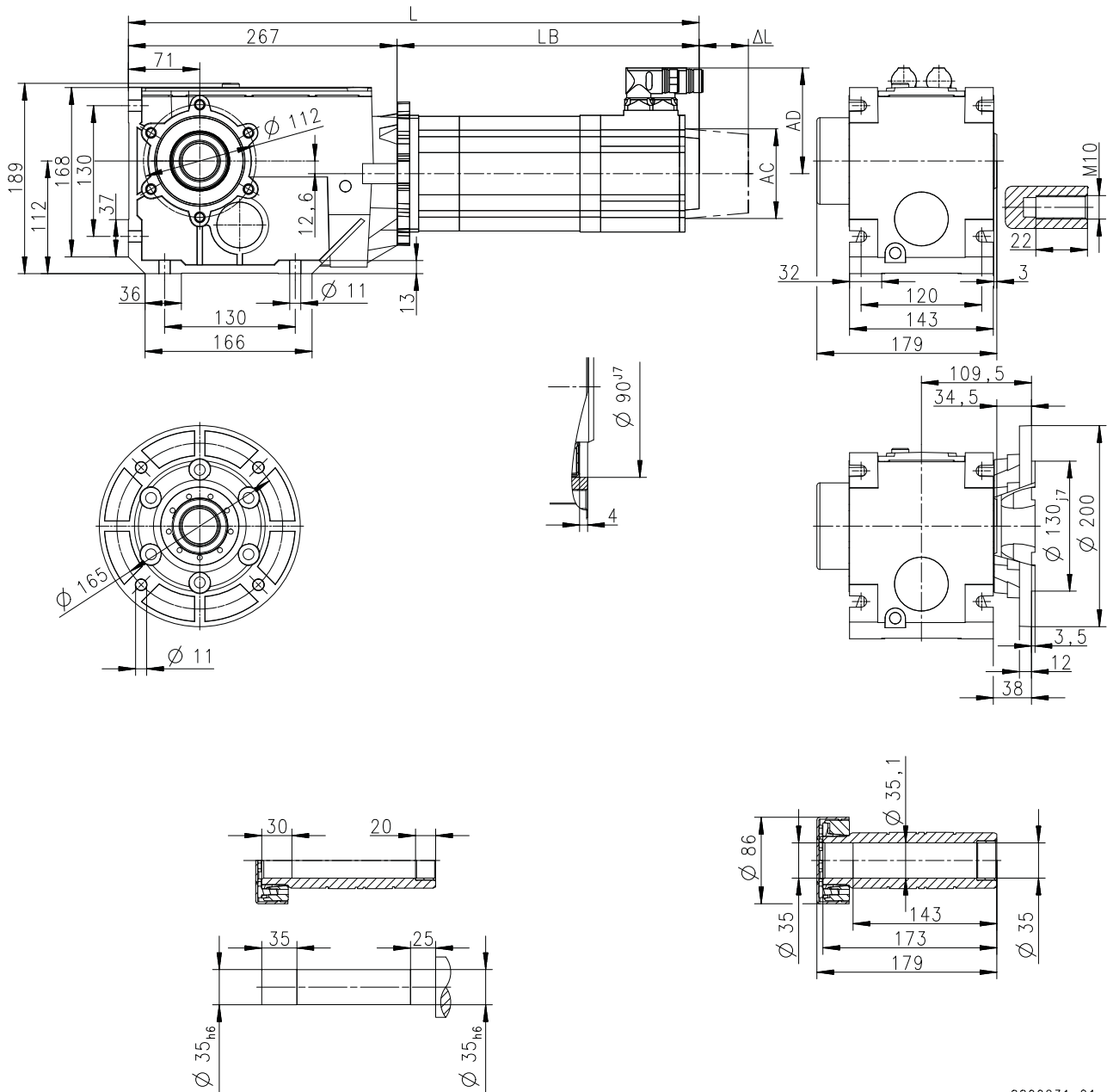
Technical data

Dimensions
Basic dimensions



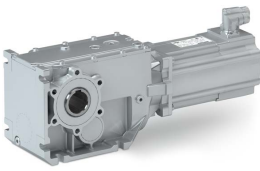
g500-B450 with MCS06

Gearbox design: solid shaft, with foot (VAR/VBR/VAK)



8800231-01

Motor			MCS		
			06C41- 06C41L	06F41- 06F41L	06I41- 06I41L
Cooling type			Natural	Natural	Natural
Total length	L	mm	398	428	458
Motor length	LB	mm	131	161	191
Length of motor options	Δ L	mm		142	
Motor diameter	AC	mm		86	
Motor/connection distance	AD	mm		77	

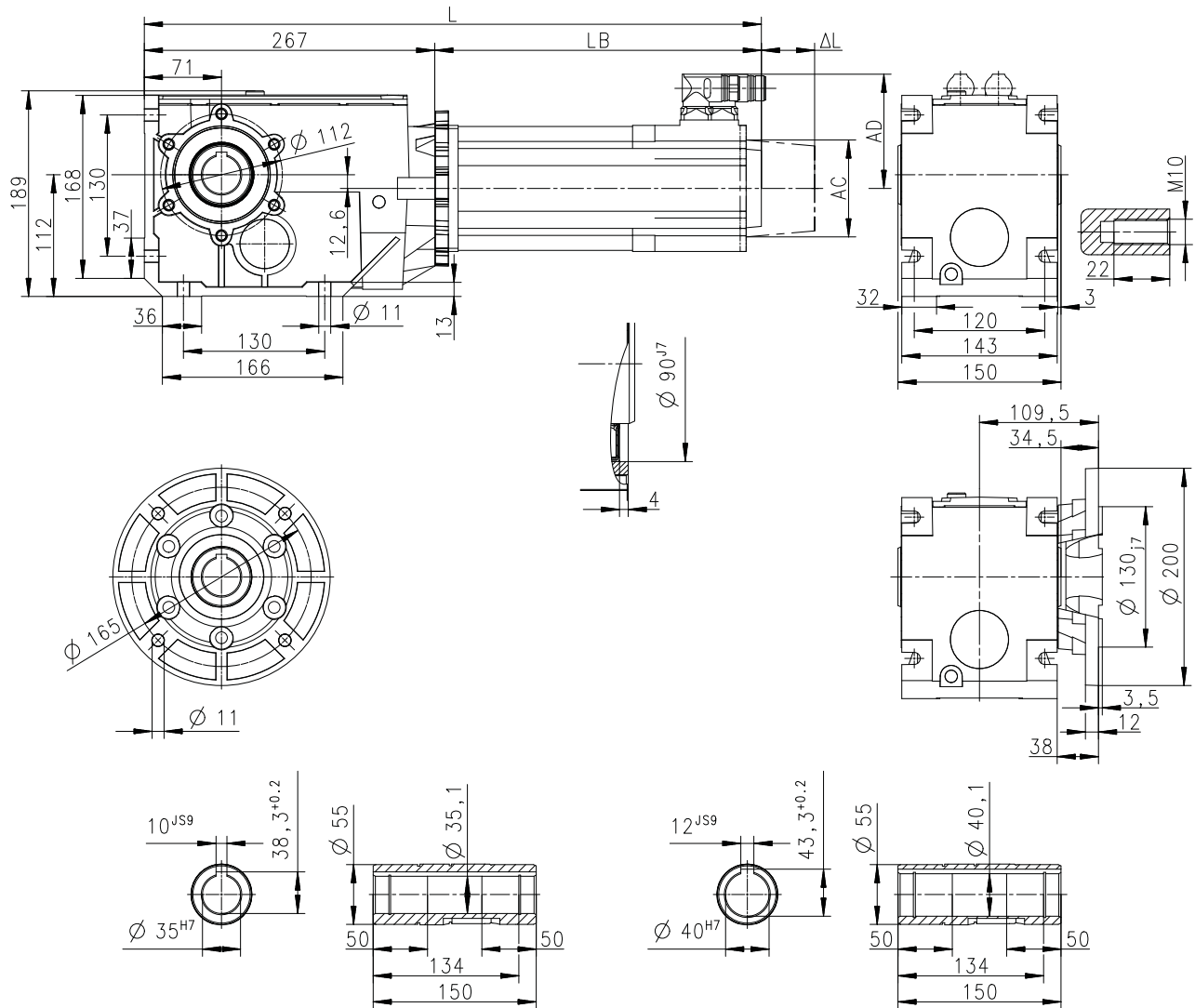


Technical data

Dimensions
Basic dimensions

g500-B450 with MCS09

Gearbox design: hollow shaft, with foot (HAR/HBR/HAK)

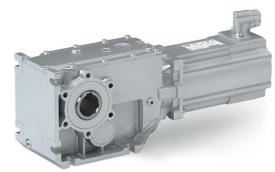


8800169-00

Motor			MCS			
			09D41-09D41L	09F38-09F38L	09H41-09H41L	09L41-09L41L
Cooling type			Natural	Natural	Natural	Natural
Total length	L	mm	451	471	491	531
Motor length	LB	mm	184	204	224	264
Length of motor options	ΔL	mm	71			
Motor diameter	AC	mm	89			
Motor/connection distance	AD	mm	90			

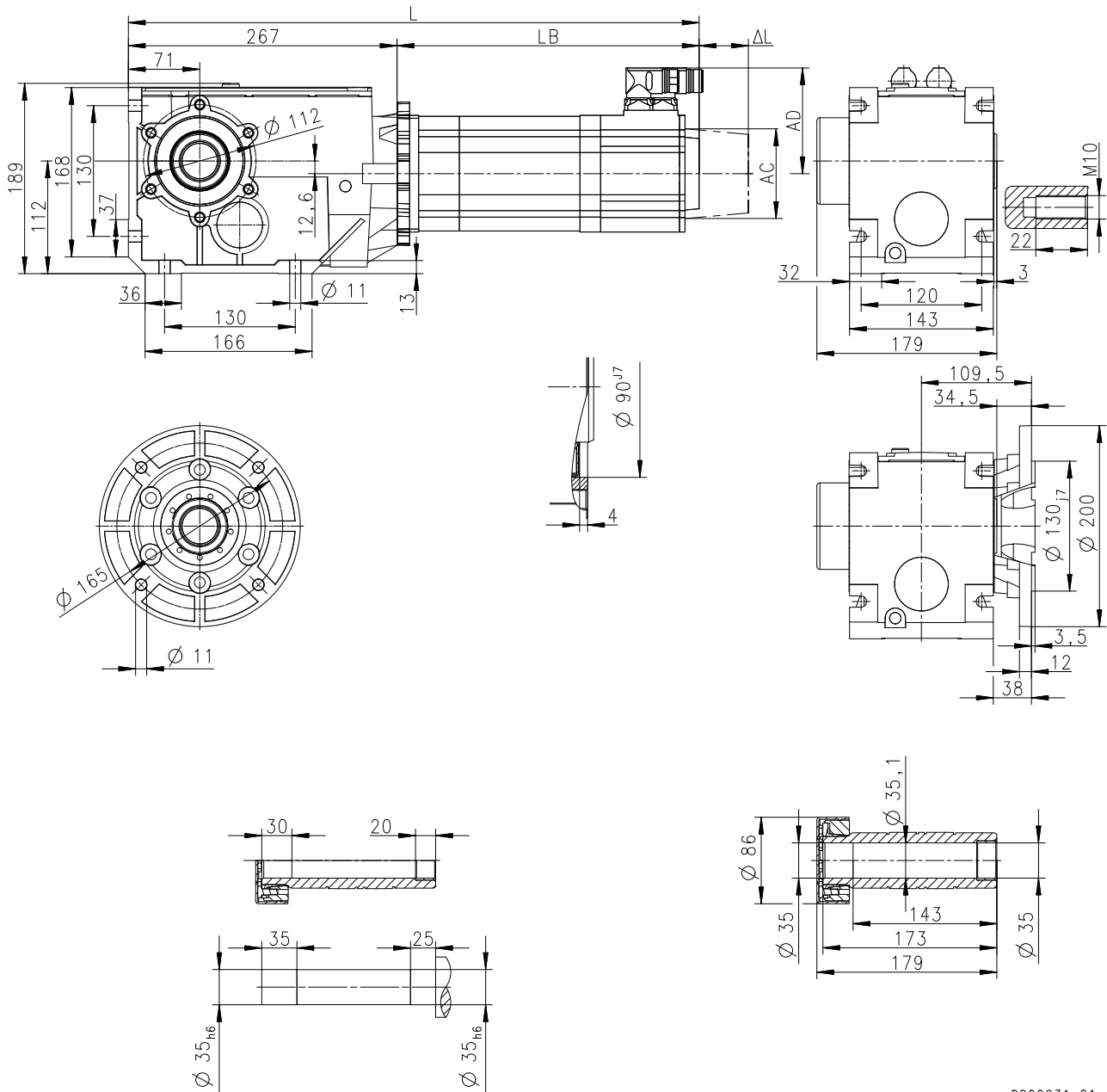
Technical data

Dimensions
Basic dimensions



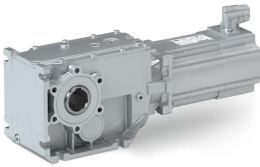
g500-B450 with MCS09

Gearbox design: Hollow shaft with shrink disc, with foot (SAR/SBR/SAK)



8800231-01

Motor			MCS			
			09D41-09D41L	09F38-09F38L	09H41-09H41L	09L41-09L41L
Cooling type			Natural	Natural	Natural	Natural
Total length	L	mm	451	471	491	531
Motor length	LB	mm	184	204	224	264
Length of motor options	ΔL	mm	71			
Motor diameter	AC	mm	89			
Motor/connection distance	AD	mm	90			

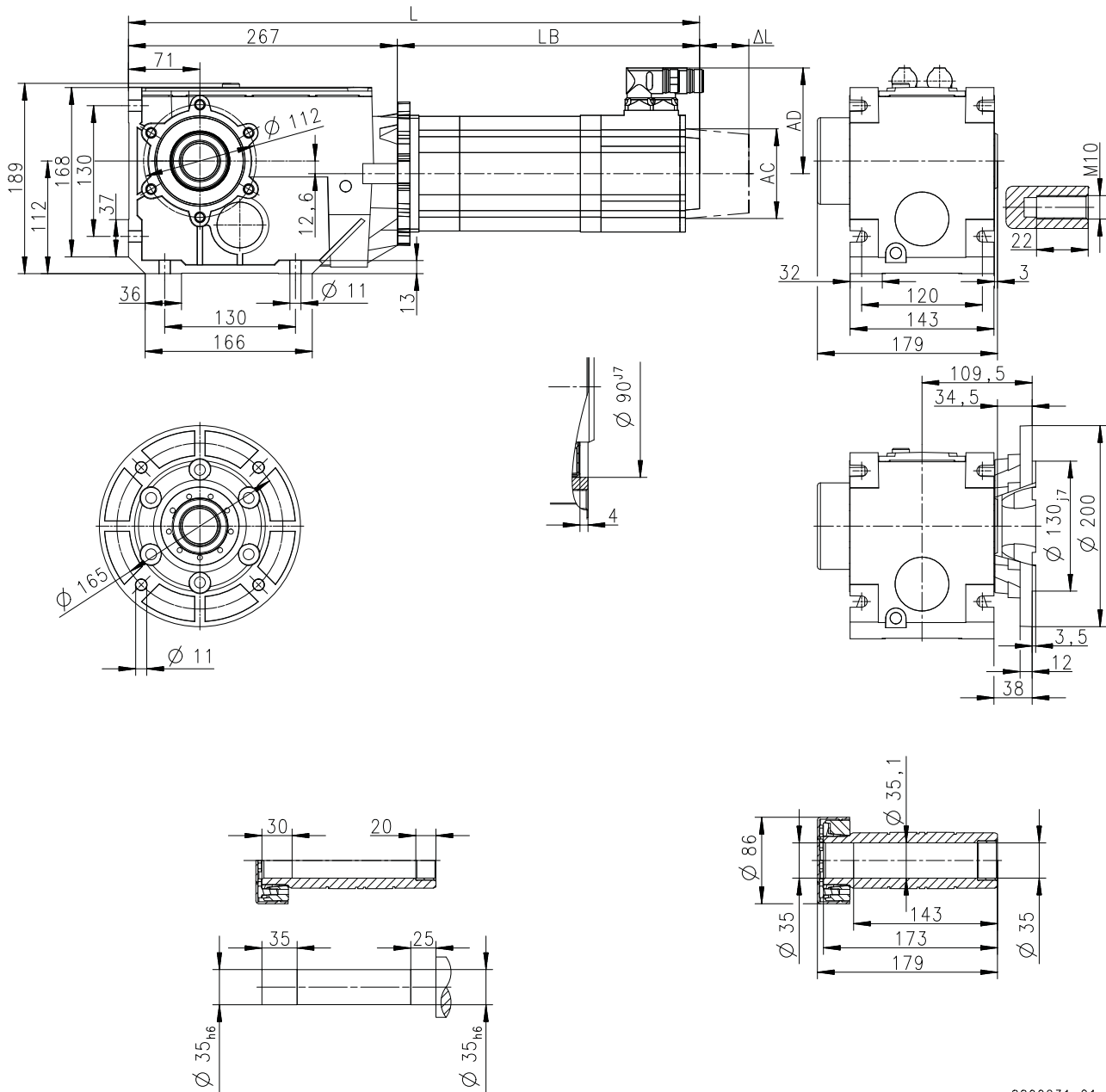


Technical data

Dimensions
Basic dimensions

g500-B450 with MCS09

Gearbox design: solid shaft, with foot (VAR/VBR/VAK)



8800231-01

Motor			MCS			
			09D41-09D41L	09F38-09F38L	09H41-09H41L	09L41-09L41L
Cooling type			Natural	Natural	Natural	Natural
Total length	L	mm	451	471	491	531
Motor length	LB	mm	184	204	224	264
Length of motor options	Δ L	mm	71			
Motor diameter	AC	mm	89			
Motor/connection distance	AD	mm	90			

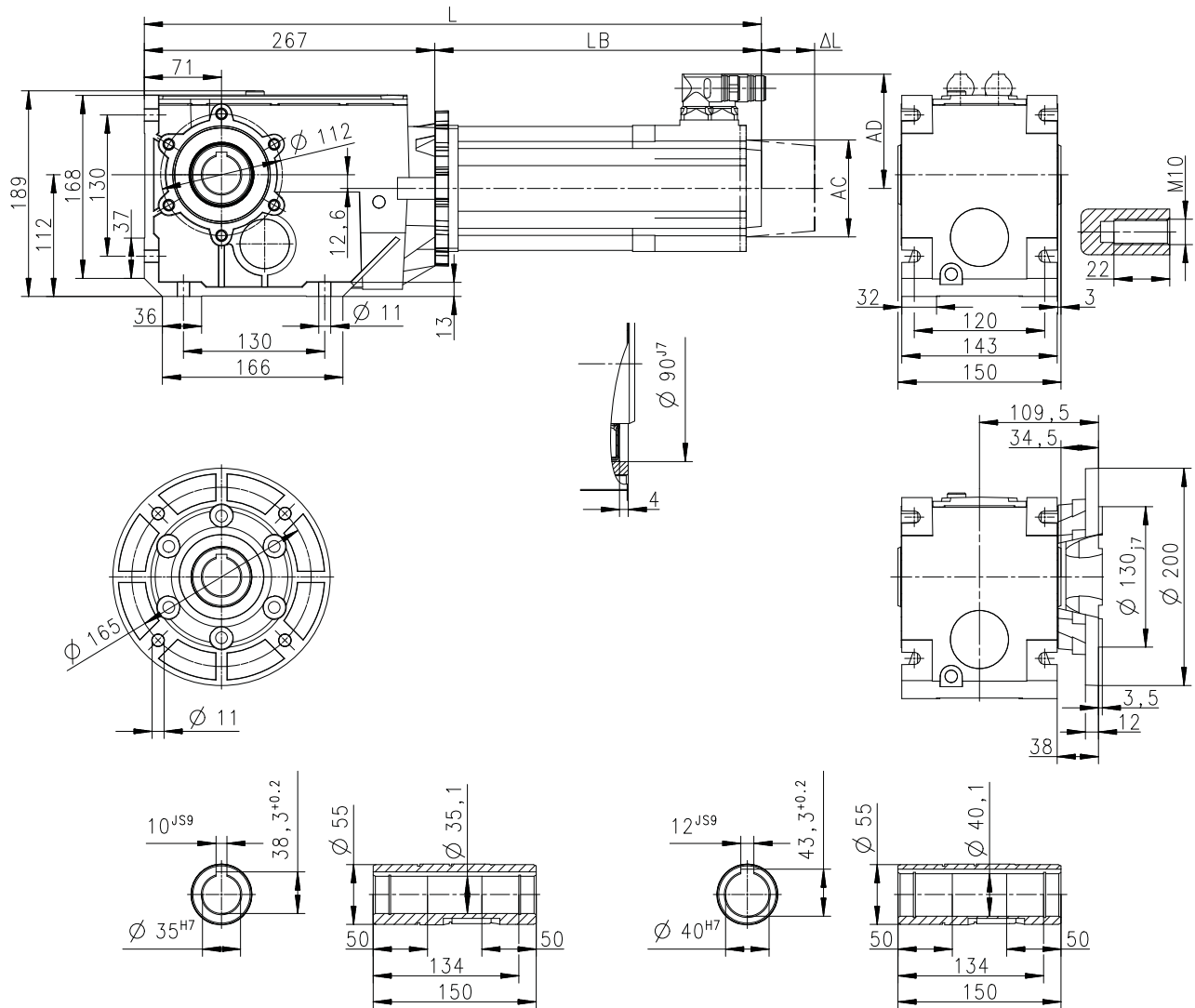
Technical data

Dimensions
Basic dimensions



g500-B450 with MCS12

Gearbox design: hollow shaft, with foot (HAR/HBR/HAK)



8800169-00

Motor			MCS					
			12D17-	12D20- 12D20L	12D35-	12D41- 12D41L	12H14-	12H15- 12H15L
Cooling type			Forced	Natural	Forced	Natural	Forced	Natural
Total length	L	mm	541	468	541	468	581	508
Motor length	LB	mm	274	201	274	201	314	241
Length of motor options	ΔL	mm	63	69	63	69	63	69
Motor diameter	AC	mm	140	116	140	116	140	116
Motor/connection distance	AD	mm	105	105	105	105	105	105

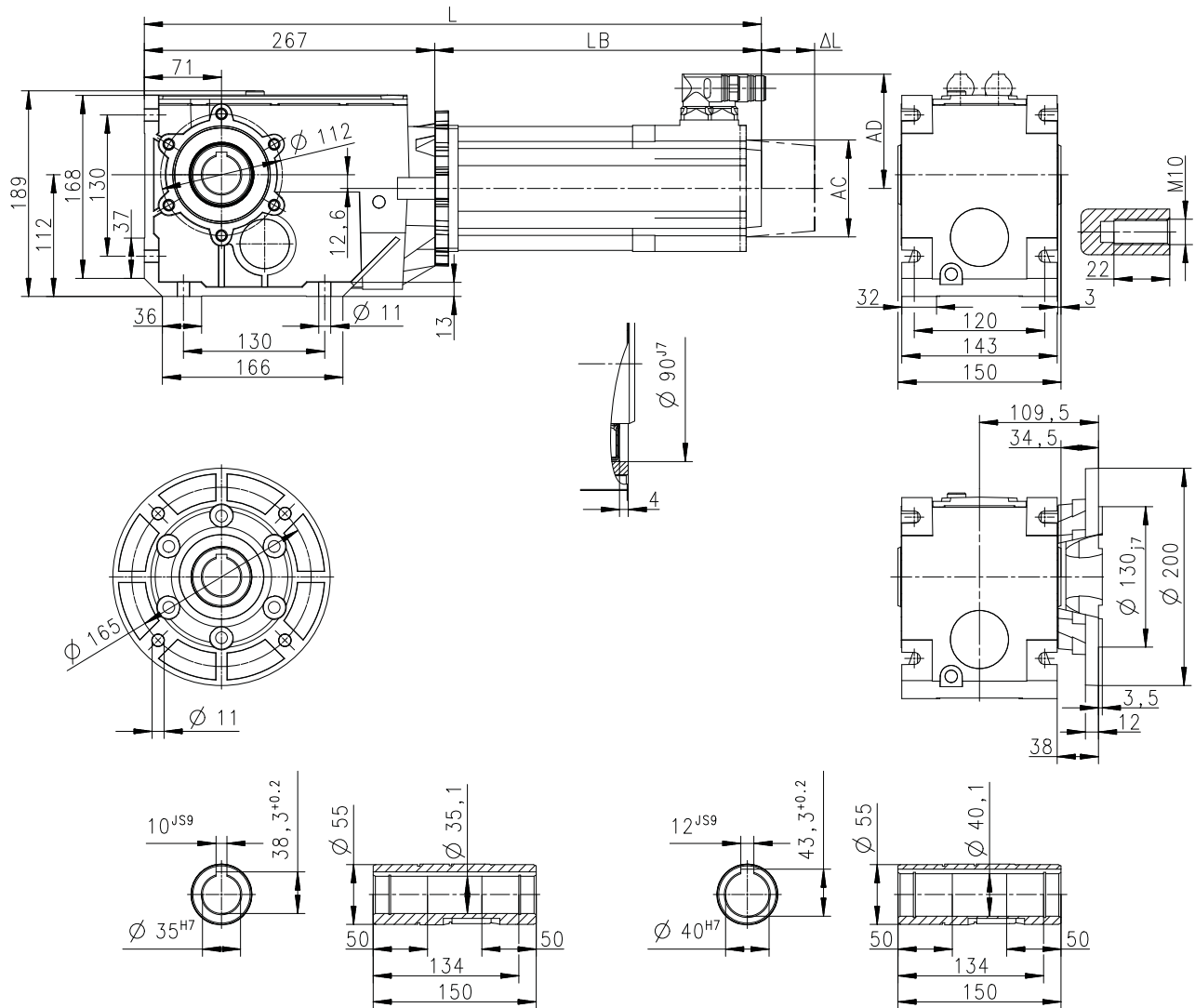


Technical data

Dimensions
Basic dimensions

g500-B450 with MCS12

Gearbox design: hollow shaft, with foot (HAR/HBR/HAK)

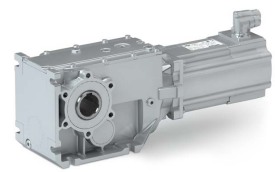


8800169-00

Motor			MCS					
			12H34-	12H35- 12H30L	12L17-	12L20- 12L20L	12L39-	12L41- 12L41L
Cooling type			Forced	Natural	Forced	Natural	Forced	Natural
Total length	L	mm	581	508	621	548	621	548
Motor length	LB	mm	314	241	354	281	354	281
Length of motor options	ΔL	mm	63	69	63	69	63	69
Motor diameter	AC	mm	140	116	140	116	140	116
Motor/connection distance	AD	mm	105	105	105	105	105	105

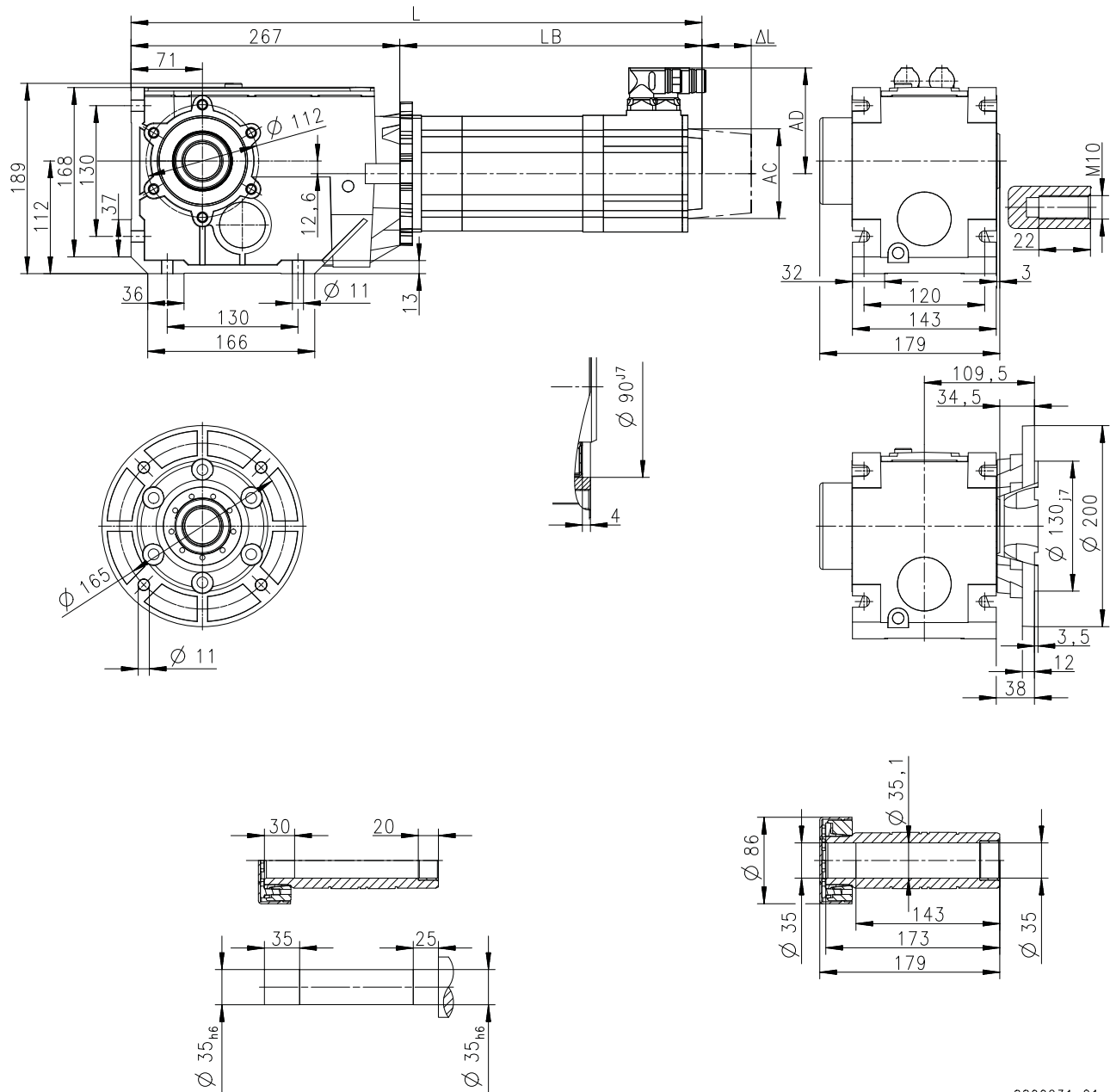
Technical data

Dimensions
Basic dimensions



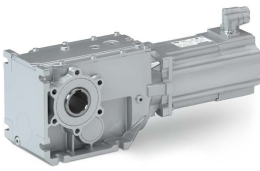
g500-B450 with MCS12

Gearbox design: Hollow shaft with shrink disc, with foot (SAR/SBR/SAK)



8800231-01

Motor			MCS					
			12D17-	12D20- 12D20L	12D35-	12D41- 12D41L	12H14-	12H15- 12H15L
Cooling type			Forced	Natural	Forced	Natural	Forced	Natural
Total length	L	mm	541	468	541	468	581	508
Motor length	LB	mm	274	201	274	201	314	241
Length of motor options	ΔL	mm	63	69	63	69	63	69
Motor diameter	AC	mm	140	116	140	116	140	116
Motor/connection distance	AD	mm	105	105	105	105	105	105

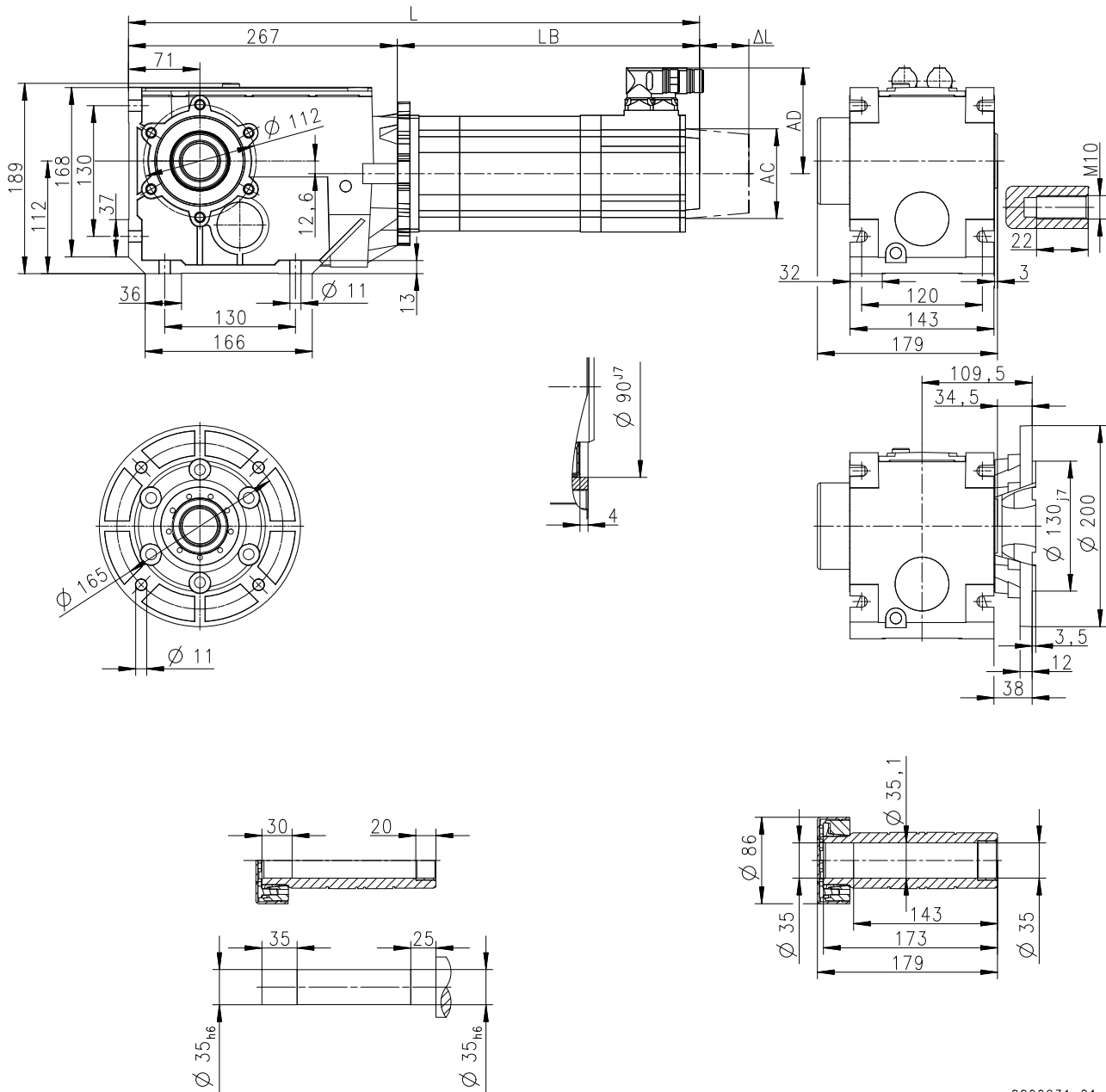


Technical data

Dimensions
Basic dimensions

g500-B450 with MCS12

Gearbox design: Hollow shaft with shrink disc, with foot (SAR/SBR/SAK)



8800231-01

Motor			MCS					
			12H34-	12H35- 12H30L	12L17-	12L20- 12L20L	12L39-	12L41- 12L41L
Cooling type			Forced	Natural	Forced	Natural	Forced	Natural
Total length	L	mm	581	508	621	548	621	548
Motor length	LB	mm	314	241	354	281	354	281
Length of motor options	Δ L	mm	63	69	63	69	63	69
Motor diameter	AC	mm	140	116	140	116	140	116
Motor/connection distance	AD	mm	105	105	105	105	105	105

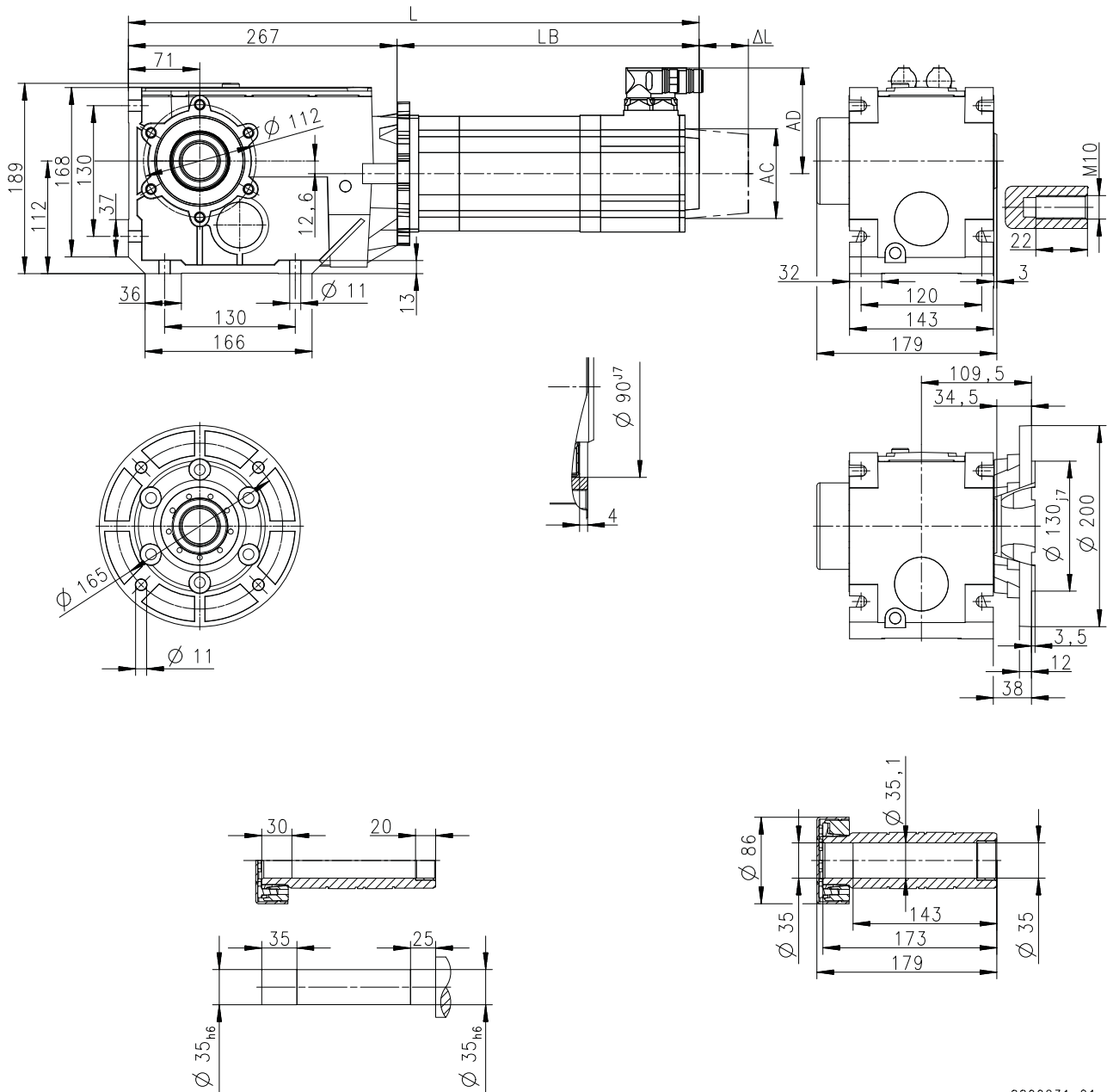
Technical data

Dimensions
Basic dimensions



g500-B450 with MCS12

Gearbox design: solid shaft, with foot (VAR/VBR/VAK)



8800231-01

Motor			MCS					
			12D17-	12D20- 12D20L	12D35-	12D41- 12D41L	12H14-	12H15- 12H15L
Cooling type			Forced	Natural	Forced	Natural	Forced	Natural
Total length	L	mm	541	468	541	468	581	508
Motor length	LB	mm	274	201	274	201	314	241
Length of motor options	Δ L	mm	63	69	63	69	63	69
Motor diameter	AC	mm	140	116	140	116	140	116
Motor/connection distance	AD	mm	105	105	105	105	105	105

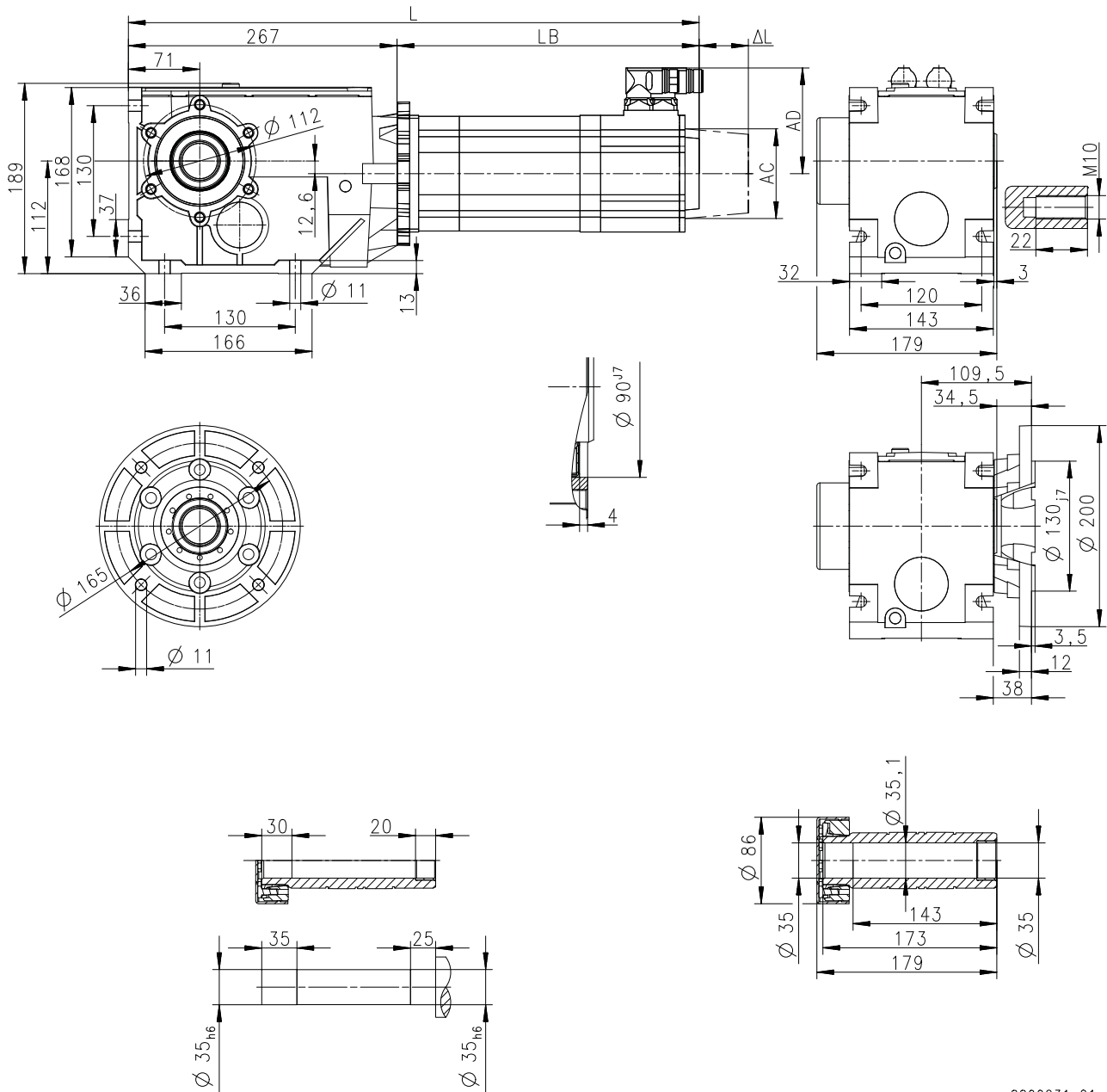


Technical data

Dimensions
Basic dimensions

g500-B450 with MCS12

Gearbox design: solid shaft, with foot (VAR/VBR/VAK)



8800231-01

Motor			MCS					
			12H34-	12H35- 12H30L	12L17-	12L20- 12L20L	12L39-	12L41- 12L41L
Cooling type			Forced	Natural	Forced	Natural	Forced	Natural
Total length	L	mm	581	508	621	548	621	548
Motor length	LB	mm	314	241	354	281	354	281
Length of motor options	Δ L	mm	63	69	63	69	63	69
Motor diameter	AC	mm	140	116	140	116	140	116
Motor/connection distance	AD	mm	105	105	105	105	105	105

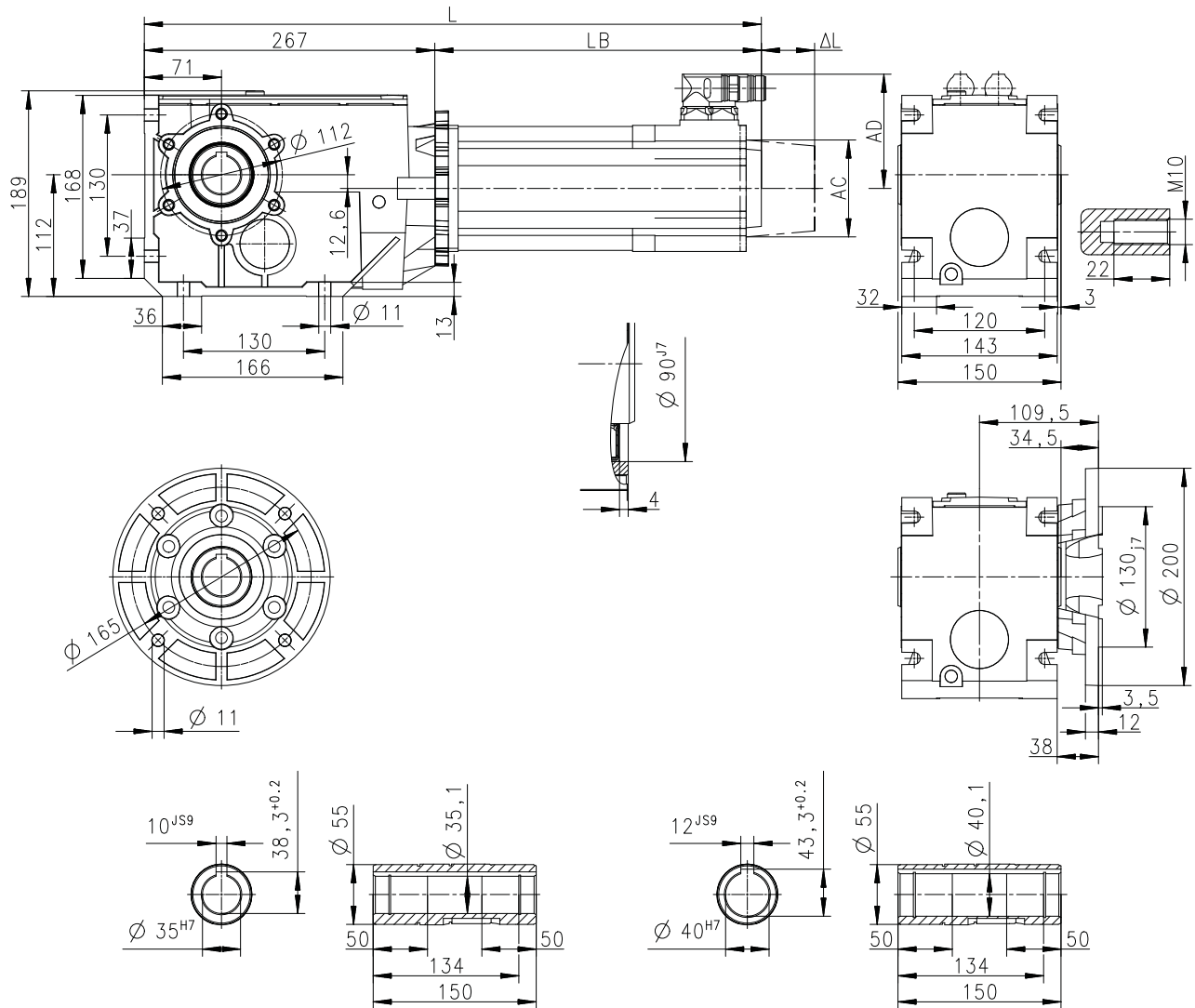
Technical data

Dimensions
Basic dimensions



g500-B450 with MCS14

Gearbox design: hollow shaft, with foot (HAR/HBR/HAK)



8800169-00

Motor			MCS							
			14D14-	14D15-	14D30-	14D36-	14H12-	14H15-	14H28-	14H32-
Cooling type			Forced	Natural	Forced	Natural	Forced	Natural	Forced	Natural
Total length	L	mm	571	483	571	483	611	523	611	523
Motor length	LB	mm	304	216	304	216	344	256	344	256
Length of motor options	ΔL	mm	82	78	82	78	82	78	82	78
Motor diameter	AC	mm	167	143	167	143	167	143	167	143
Motor/connection distance	AD	mm	117	117	117	117	117	117	146	117

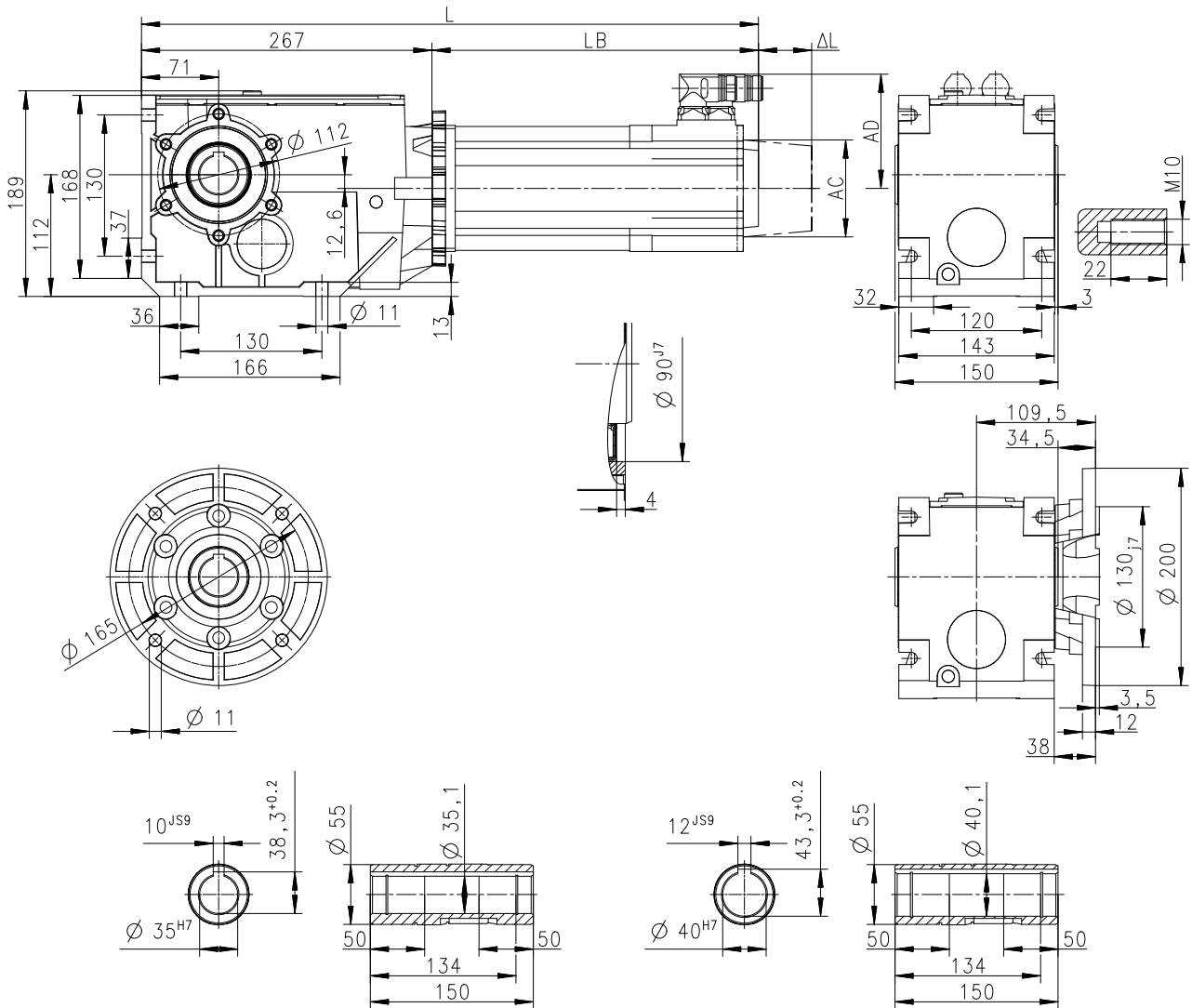


Technical data

Dimensions
Basic dimensions

g500-B450 with MCS14

Gearbox design: hollow shaft, with foot (HAR/HBR/HAK)

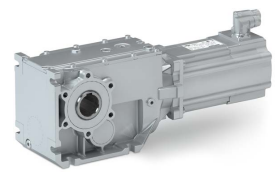


8800169-00

Motor			MCS							
			14L14-	14L15-	14L30-	14L32-	14P11-	14P14-	14P26-	14P32-
Cooling type			Forced	Natural	Forced	Natural	Forced	Natural	Forced	Natural
Total length	L	mm	651	563	651	563	691	603	691	603
Motor length	LB	mm	384	296	384	296	424	336	424	336
Length of motor options	ΔL	mm	82	78	82	78	82	78	82	78
Motor diameter	AC	mm	167	143	167	143	167	143	167	143
Motor/connection distance	AD	mm	117	117	146	146	117	117	146	146

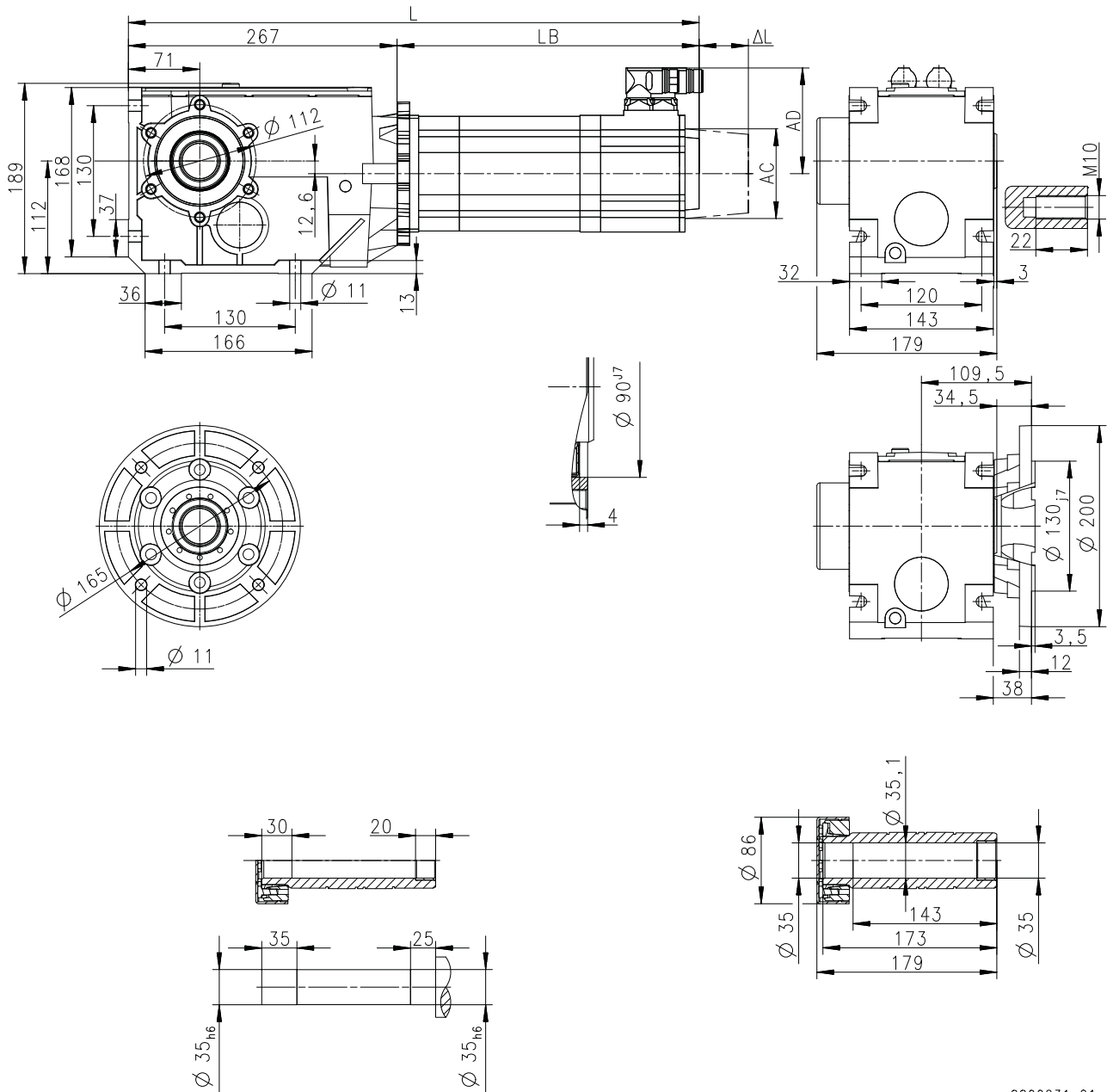
Technical data

Dimensions
Basic dimensions



g500-B450 with MCS14

Gearbox design: Hollow shaft with shrink disc, with foot (SAR/SBR/SAK)



8800231-01

Motor			MCS							
			14D14-	14D15-	14D30-	14D36-	14H12-	14H15-	14H28-	14H32-
Cooling type			Forced	Natural	Forced	Natural	Forced	Natural	Forced	Natural
Total length	L	mm	571	483	571	483	611	523	611	523
Motor length	LB	mm	304	216	304	216	344	256	344	256
Length of motor options	ΔL	mm	82	78	82	78	82	78	82	78
Motor diameter	AC	mm	167	143	167	143	167	143	167	143
Motor/connection distance	AD	mm	117	117	117	117	117	117	146	117

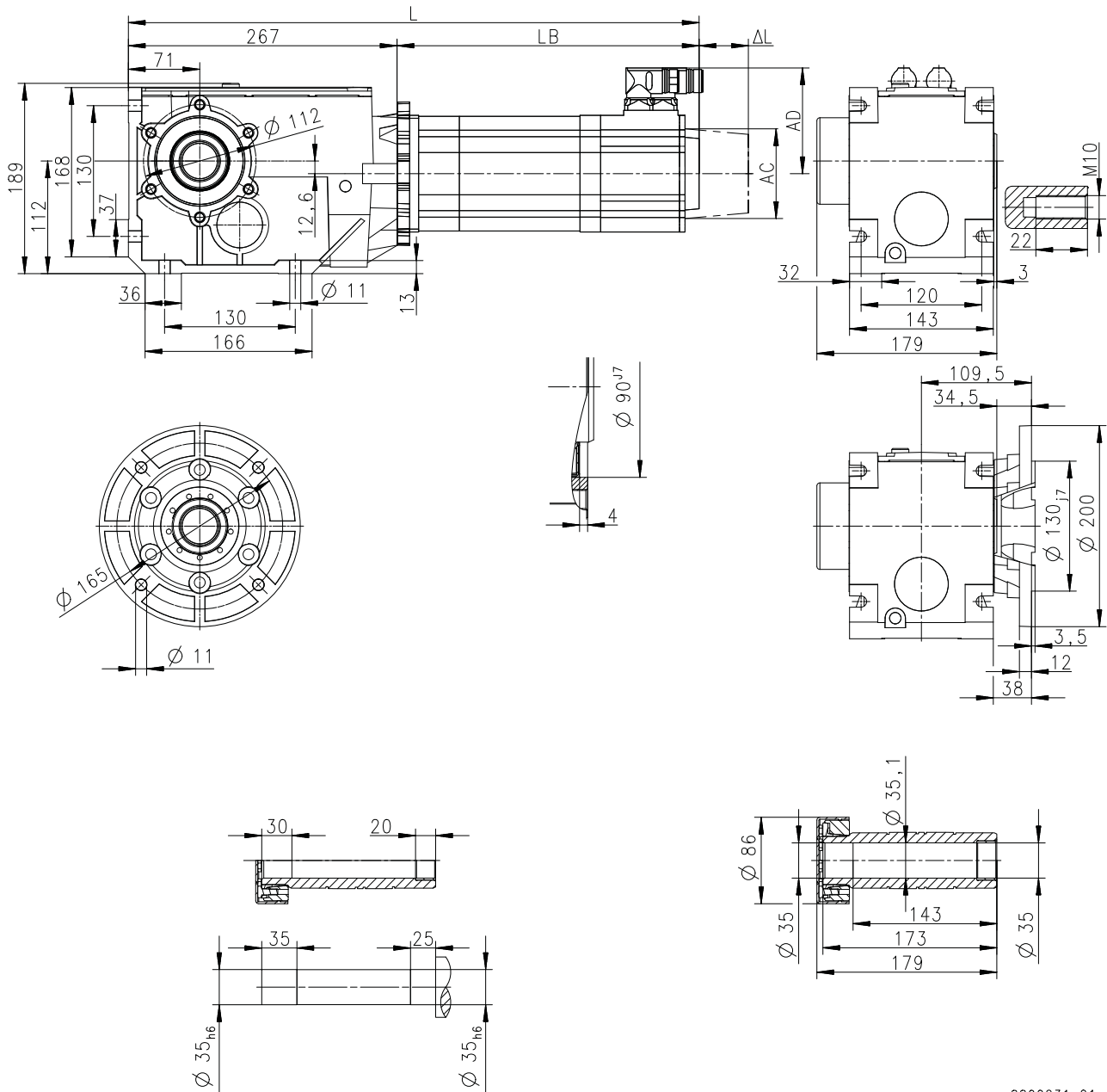


Technical data

Dimensions
Basic dimensions

g500-B450 with MCS14

Gearbox design: Hollow shaft with shrink disc, with foot (SAR/SBR/SAK)



8800231-01

Motor			MCS							
			14L14-	14L15-	14L30-	14L32-	14P11-	14P14-	14P26-	14P32-
Cooling type			Forced	Natural	Forced	Natural	Forced	Natural	Forced	Natural
Total length	L	mm	651	563	651	563	691	603	691	603
Motor length	LB	mm	384	296	384	296	424	336	424	336
Length of motor options	Δ L	mm	82	78	82	78	82	78	82	78
Motor diameter	AC	mm	167	143	167	143	167	143	167	143
Motor/connection distance	AD	mm	117	117	146	146	117	117	146	146

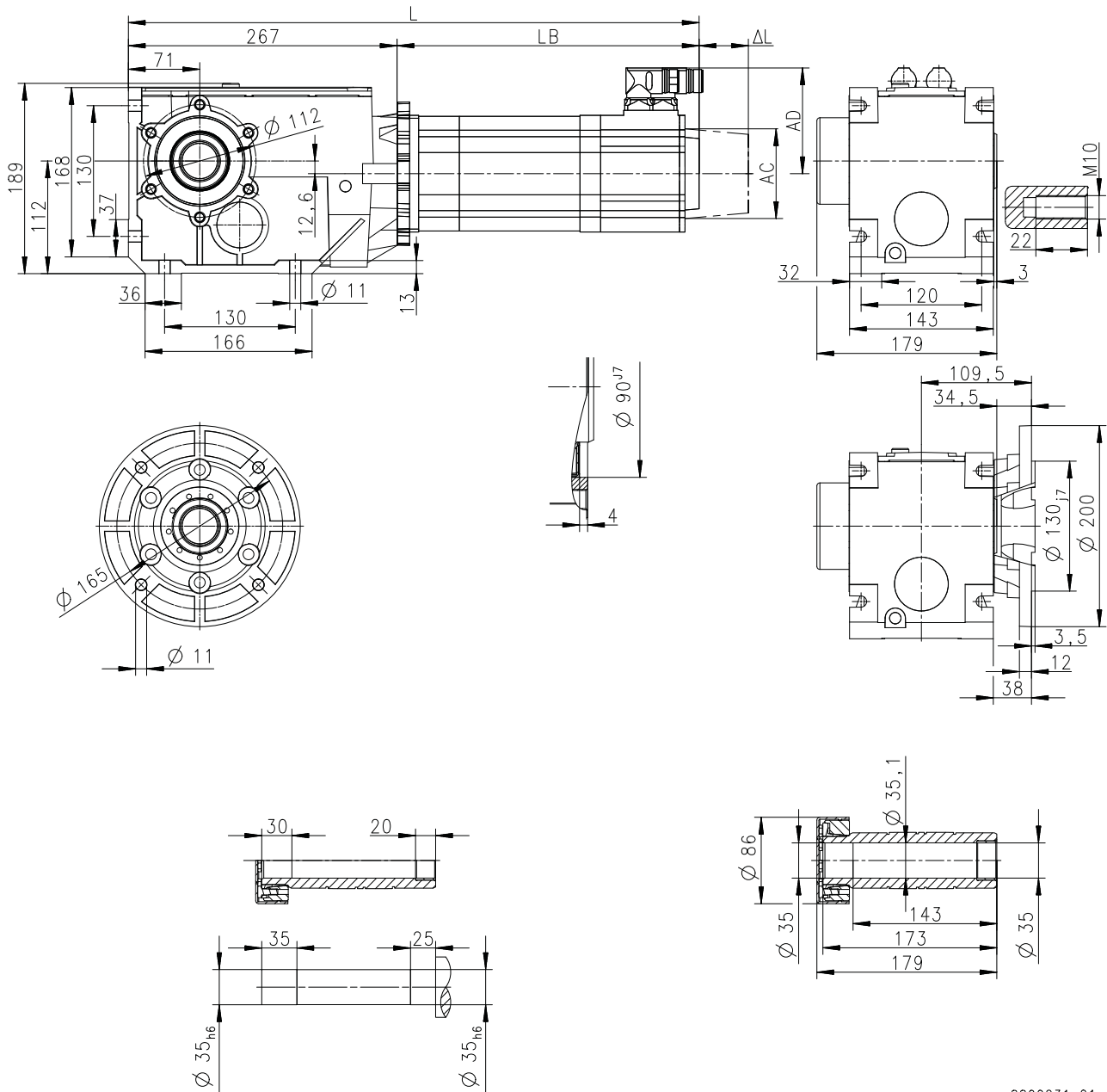
Technical data

Dimensions
Basic dimensions



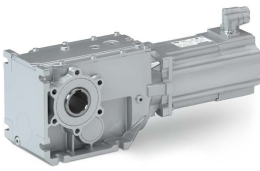
g500-B450 with MCS14

Gearbox design: solid shaft, with foot (VAR/VBR/VAK)



8800231-01

Motor			MCS							
			14D14-	14D15-	14D30-	14D36-	14H12-	14H15-	14H28-	14H32-
Cooling type			Forced	Natural	Forced	Natural	Forced	Natural	Forced	Natural
Total length	L	mm	571	483	571	483	611	523	611	523
Motor length	LB	mm	304	216	304	216	344	256	344	256
Length of motor options	Δ L	mm	82	78	82	78	82	78	82	78
Motor diameter	AC	mm	167	143	167	143	167	143	167	143
Motor/connection distance	AD	mm	117	117	117	117	117	117	146	117

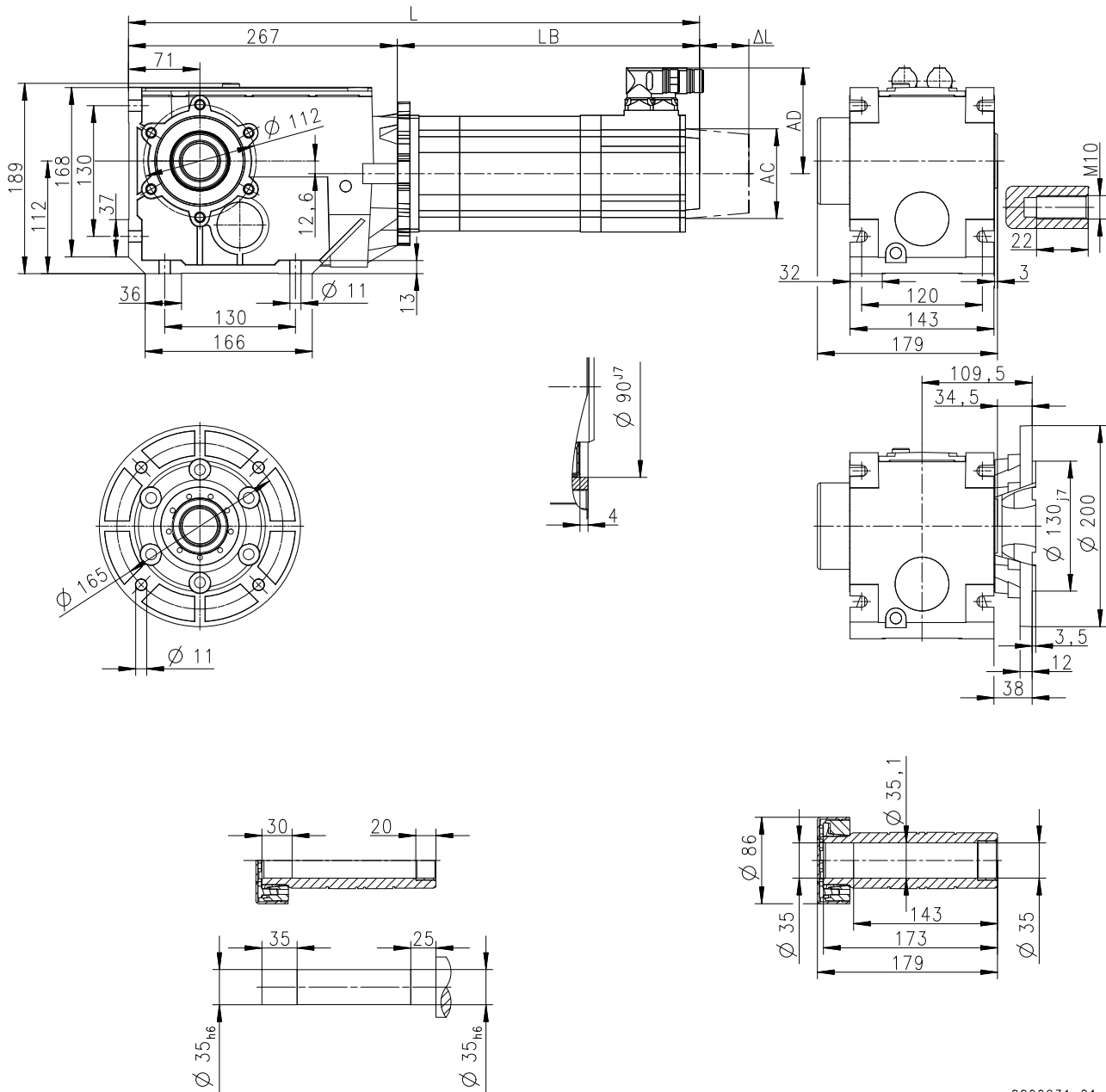


Technical data

Dimensions
Basic dimensions

g500-B450 with MCS14

Gearbox design: solid shaft, with foot (VAR/VBR/VAK)



8800231-01

Motor			MCS							
			14L14-	14L15-	14L30-	14L32-	14P11-	14P14-	14P26-	14P32-
Cooling type			Forced	Natural	Forced	Natural	Forced	Natural	Forced	Natural
Total length	L	mm	651	563	651	563	691	603	691	603
Motor length	LB	mm	384	296	384	296	424	336	424	336
Length of motor options	Δ L	mm	82	78	82	78	82	78	82	78
Motor diameter	AC	mm	167	143	167	143	167	143	167	143
Motor/connection distance	AD	mm	117	117	146	146	117	117	146	146

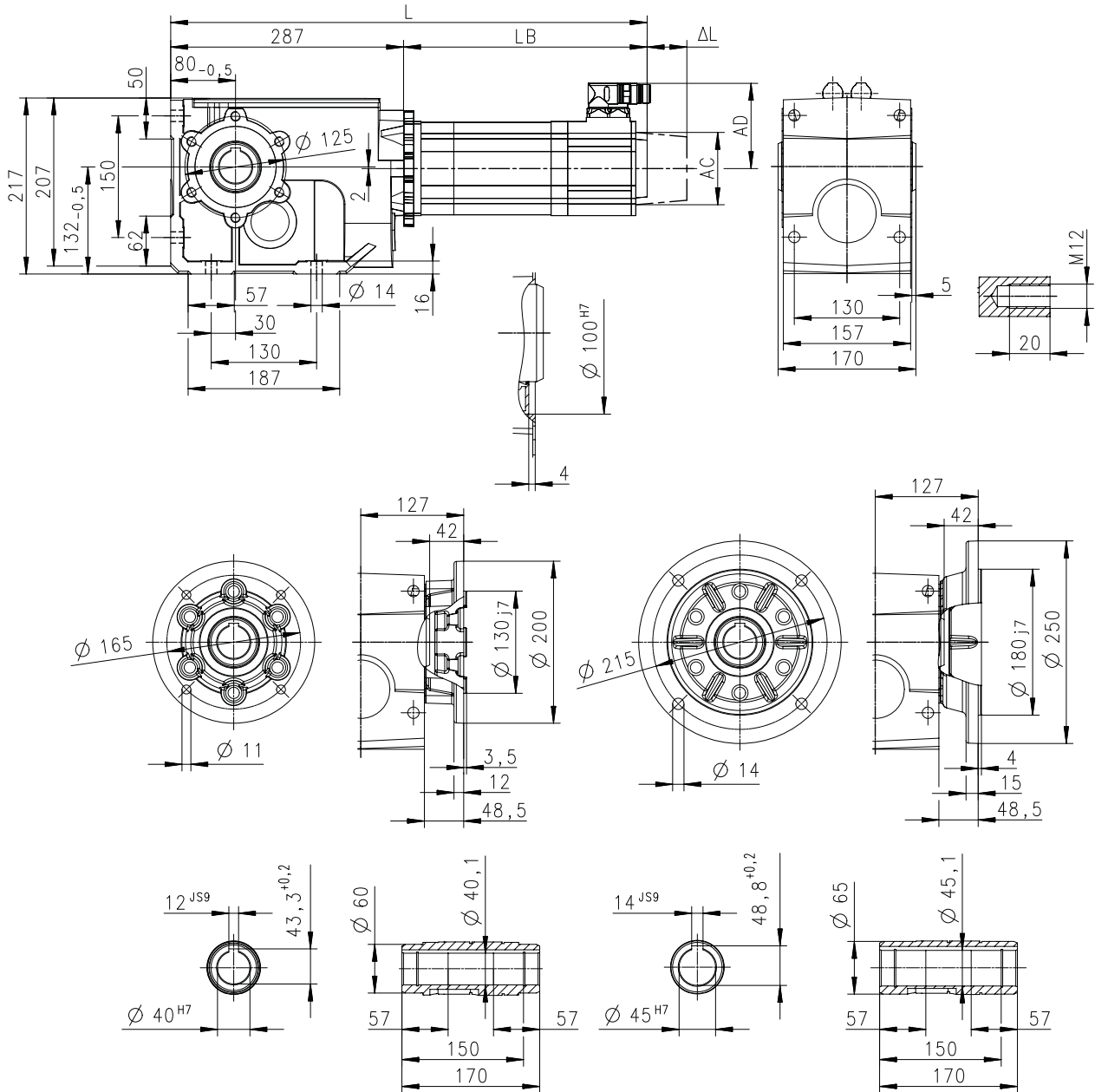
Technical data

Dimensions
Basic dimensions



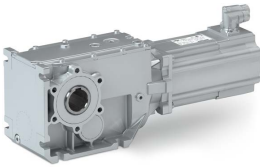
g500-B600 with MCS06

Gearbox design: hollow shaft, with foot (HAR/HBR/HAK)



8800569-00

Motor			MCS		
			06C41-06C41L	06F41-06F41L	06I41-06I41L
Cooling type			Natural	Natural	Natural
Total length	L	mm	418	448	478
Motor length	LB	mm	131	161	191
Length of motor options	ΔL	mm		142	
Motor diameter	AC	mm		86	
Motor/connection distance	AD	mm		77	

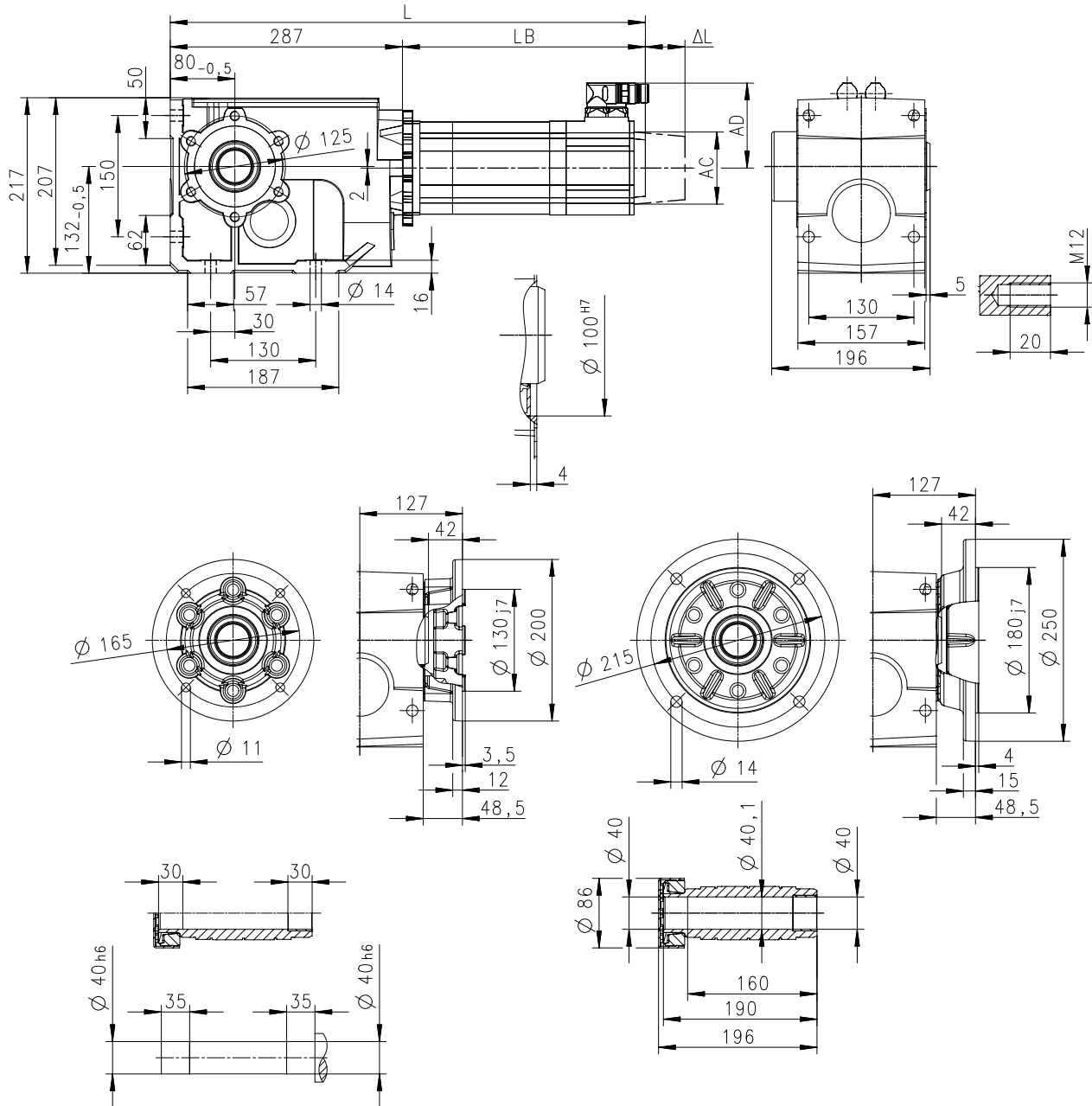


Technical data

Dimensions
Basic dimensions

g500-B600 with MCS06

Gearbox design: Hollow shaft with shrink disc, with foot (SAR/SBR/SAK)



8800571-00

Motor			MCS		
			06C41-06C41L	06F41-06F41L	06I41-06I41L
Cooling type			Natural	Natural	Natural
Total length	L	mm	418	448	478
Motor length	LB	mm	131	161	191
Length of motor options	ΔL	mm		142	
Motor diameter	AC	mm		86	
Motor/connection distance	AD	mm		77	

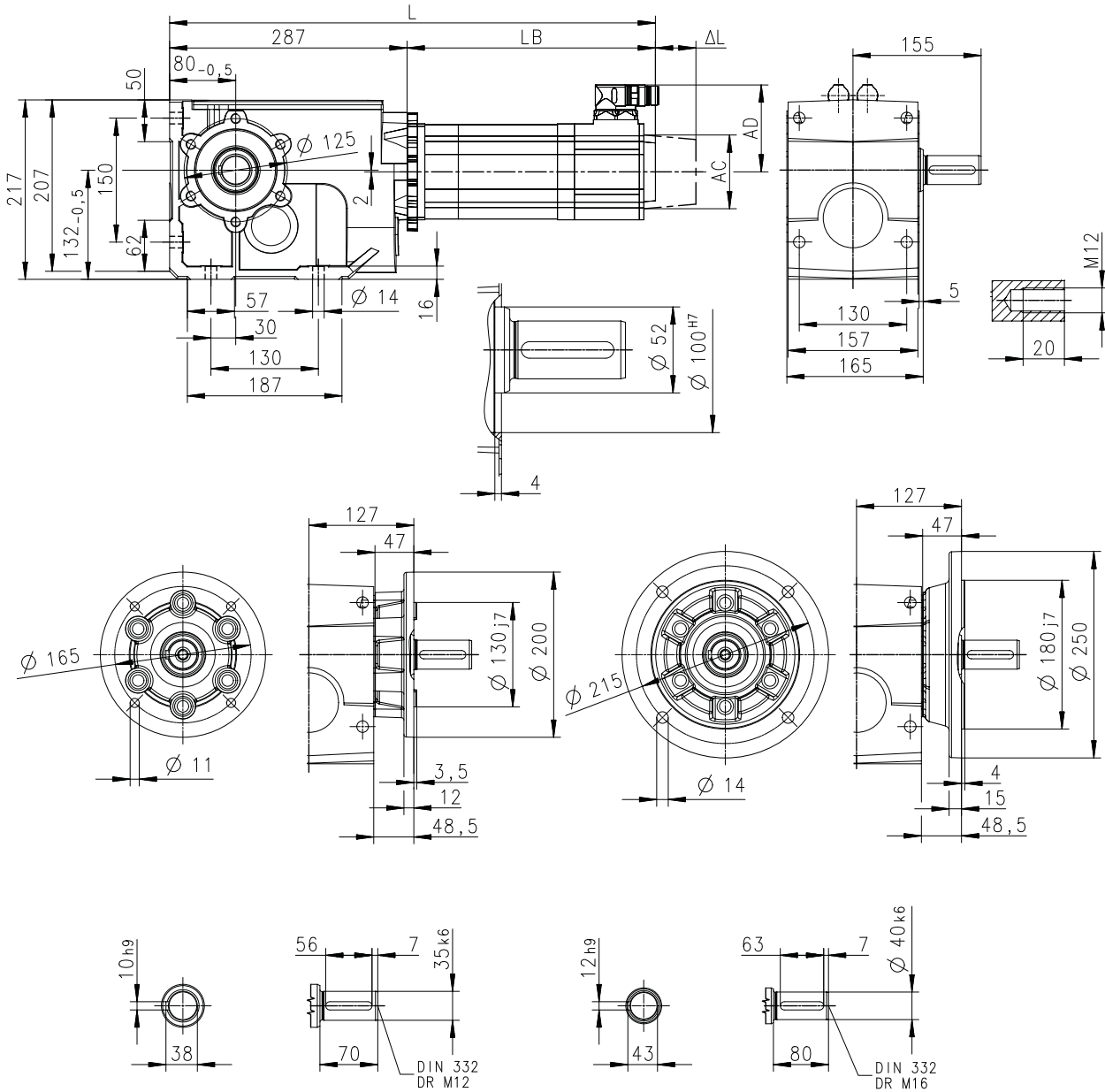
Technical data

Dimensions
Basic dimensions



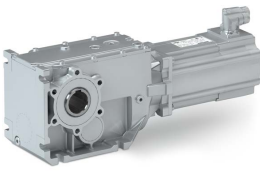
g500-B600 with MCS06

Gearbox design: solid shaft, with foot (VAR/VBR/VAK)



8800570-00

Motor			MCS		
			06C41-06C41L	06F41-06F41L	06I41-06I41L
Cooling type			Natural	Natural	Natural
Total length	L	mm	418	448	478
Motor length	LB	mm	131	161	191
Length of motor options	Δ L	mm		142	
Motor diameter	AC	mm		86	
Motor/connection distance	AD	mm		77	

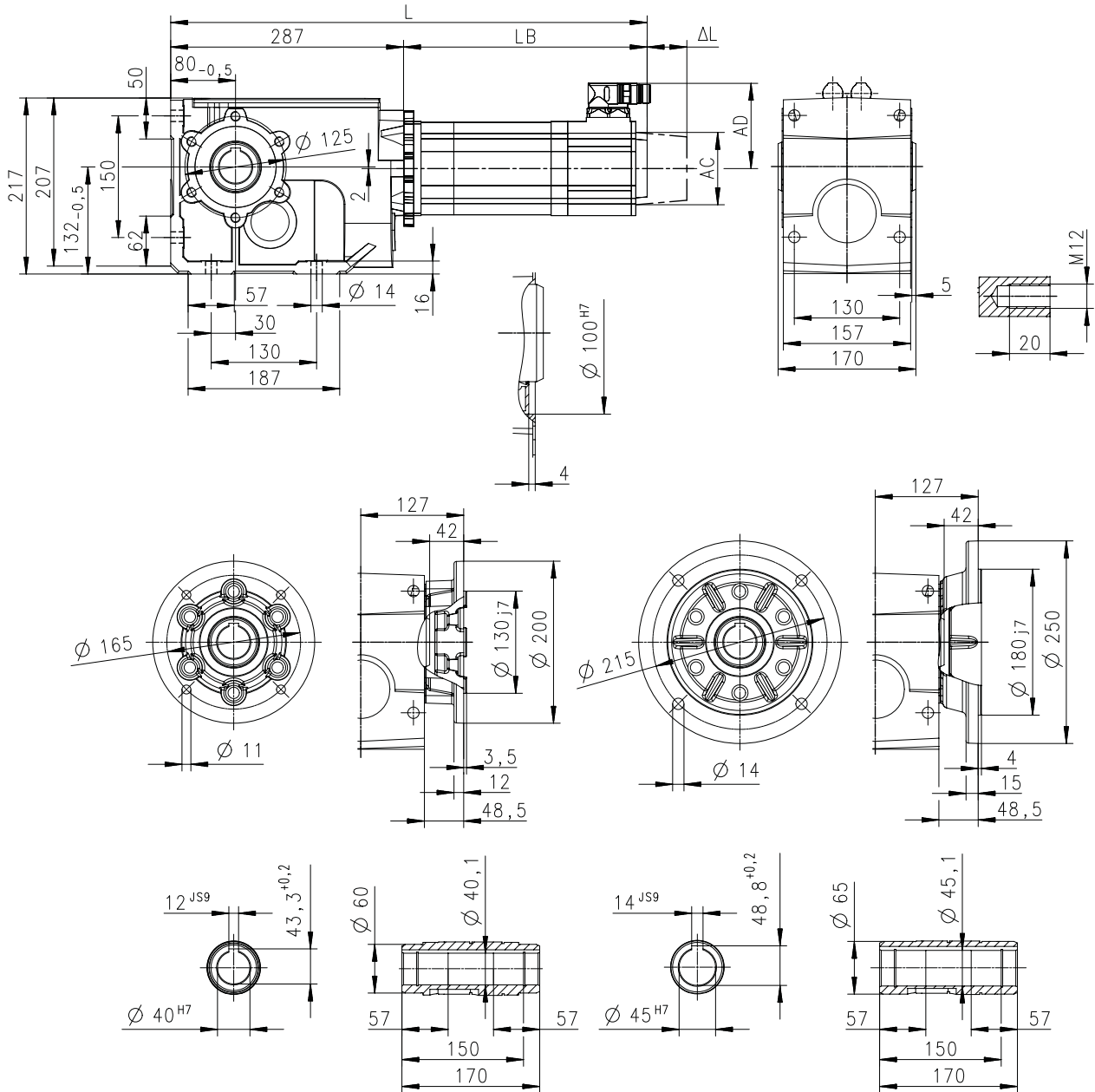


Technical data

Dimensions
Basic dimensions

g500-B600 with MCS09

Gearbox design: hollow shaft, with foot (HAR/HBR/HAK)



8800569-00

Motor			MCS			
			09D41-09D41L	09F38-09F38L	09H41-09H41L	09L41-09L41L
Cooling type			Natural	Natural	Natural	Natural
Total length	L	mm	471	491	511	551
Motor length	LB	mm	184	204	224	264
Length of motor options	ΔL	mm	71			
Motor diameter	AC	mm	89			
Motor/connection distance	AD	mm	90			

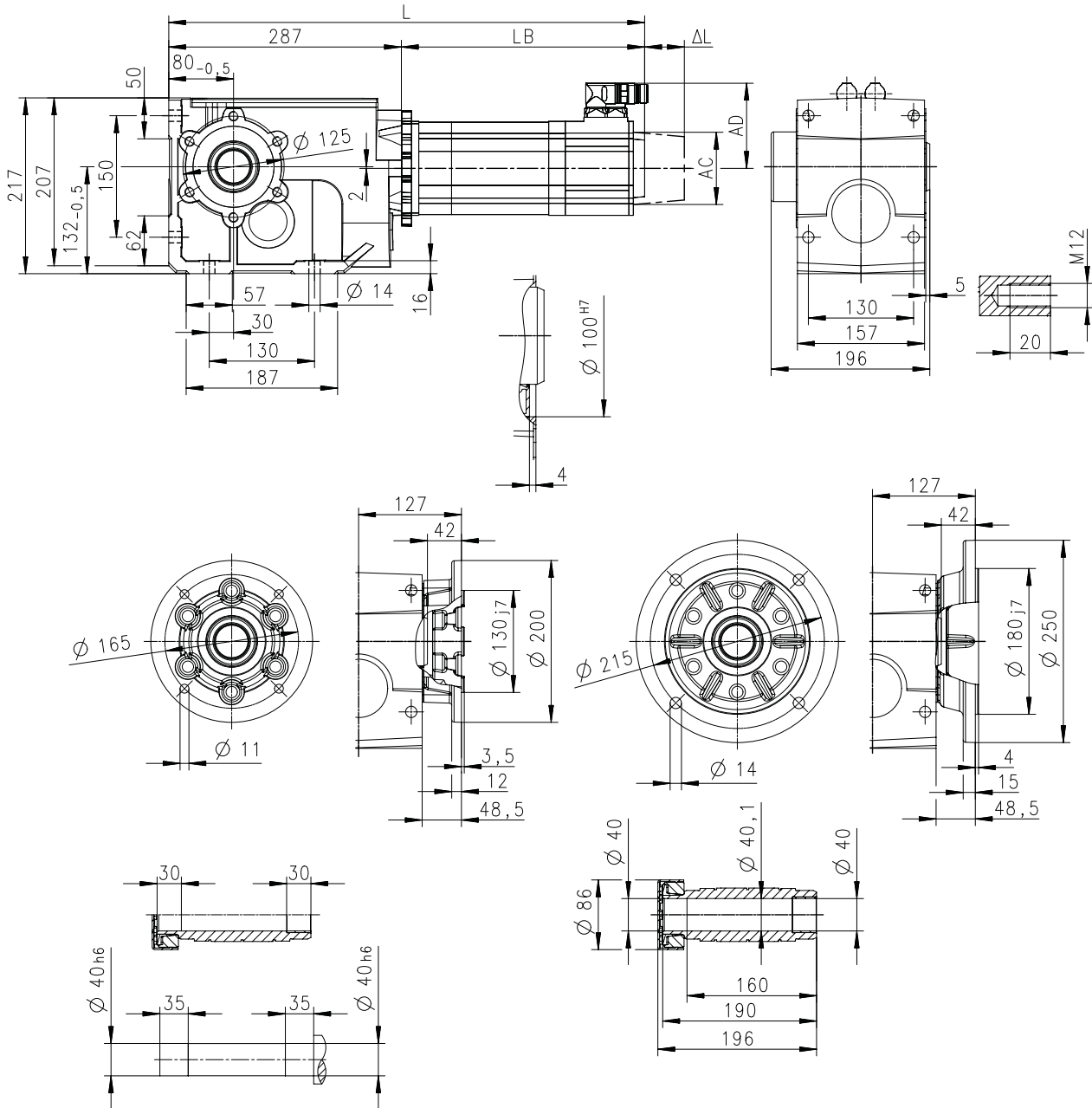
Technical data

Dimensions
Basic dimensions



g500-B600 with MCS09

Gearbox design: Hollow shaft with shrink disc, with foot (SAR/SBR/SAK)



8800571-00

Motor			MCS			
			09D41-09D41L	09F38-09F38L	09H41-09H41L	09L41-09L41L
Cooling type			Natural	Natural	Natural	Natural
Total length	L	mm	471	491	511	551
Motor length	LB	mm	184	204	224	264
Length of motor options	Δ L	mm	71			
Motor diameter	AC	mm	89			
Motor/connection distance	AD	mm	90			

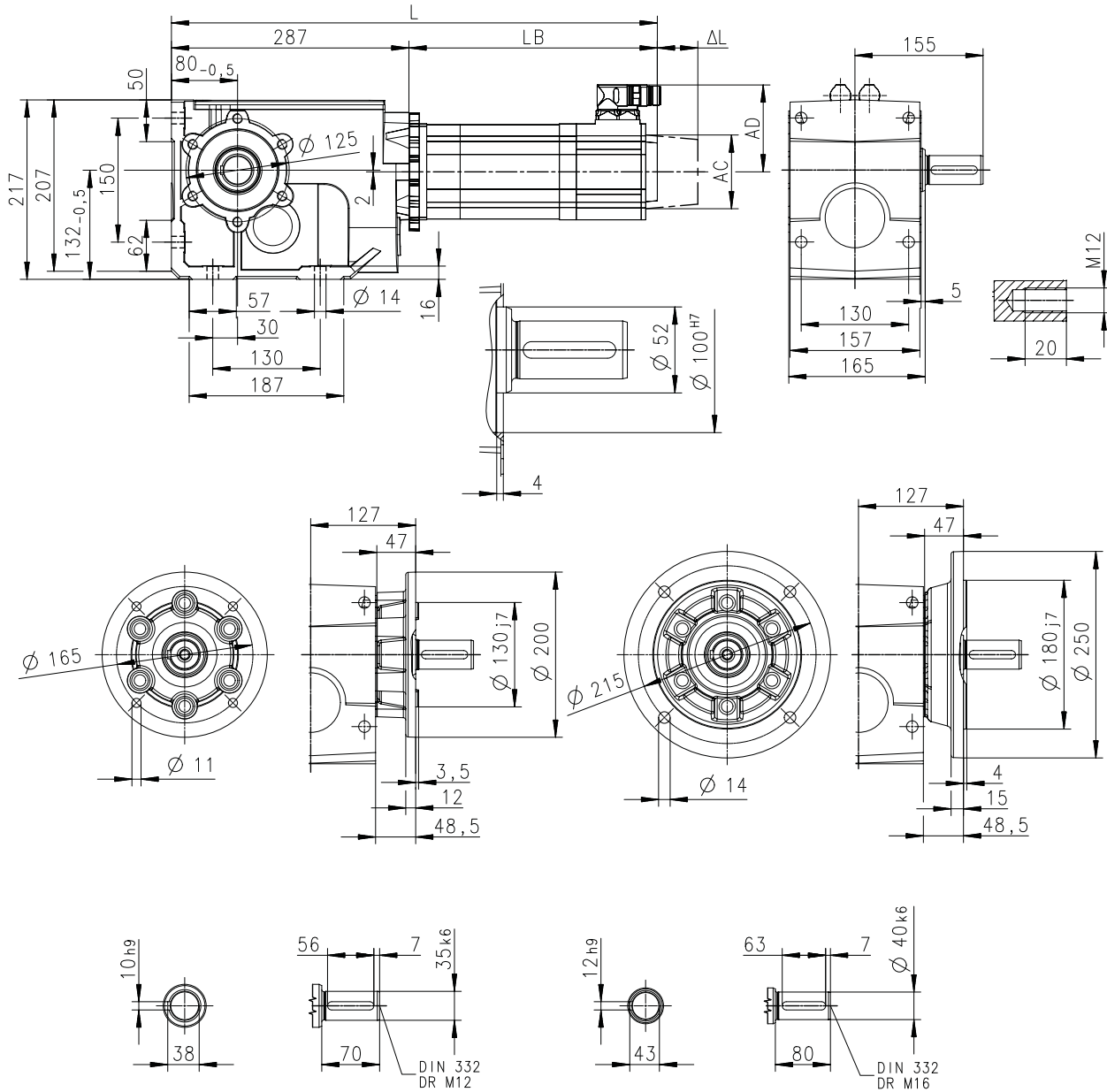


Technical data

Dimensions
Basic dimensions

g500-B600 with MCS09

Gearbox design: solid shaft, with foot (VAR/VBR/VAK)



8800570-00

Motor			MCS			
			09D41- 09D41L	09F38- 09F38L	09H41- 09H41L	09L41- 09L41L
Cooling type			Natural	Natural	Natural	Natural
Total length	L	mm	471	491	511	551
Motor length	LB	mm	184	204	224	264
Length of motor options	ΔL	mm	71			
Motor diameter	AC	mm	89			
Motor/connection distance	AD	mm	90			

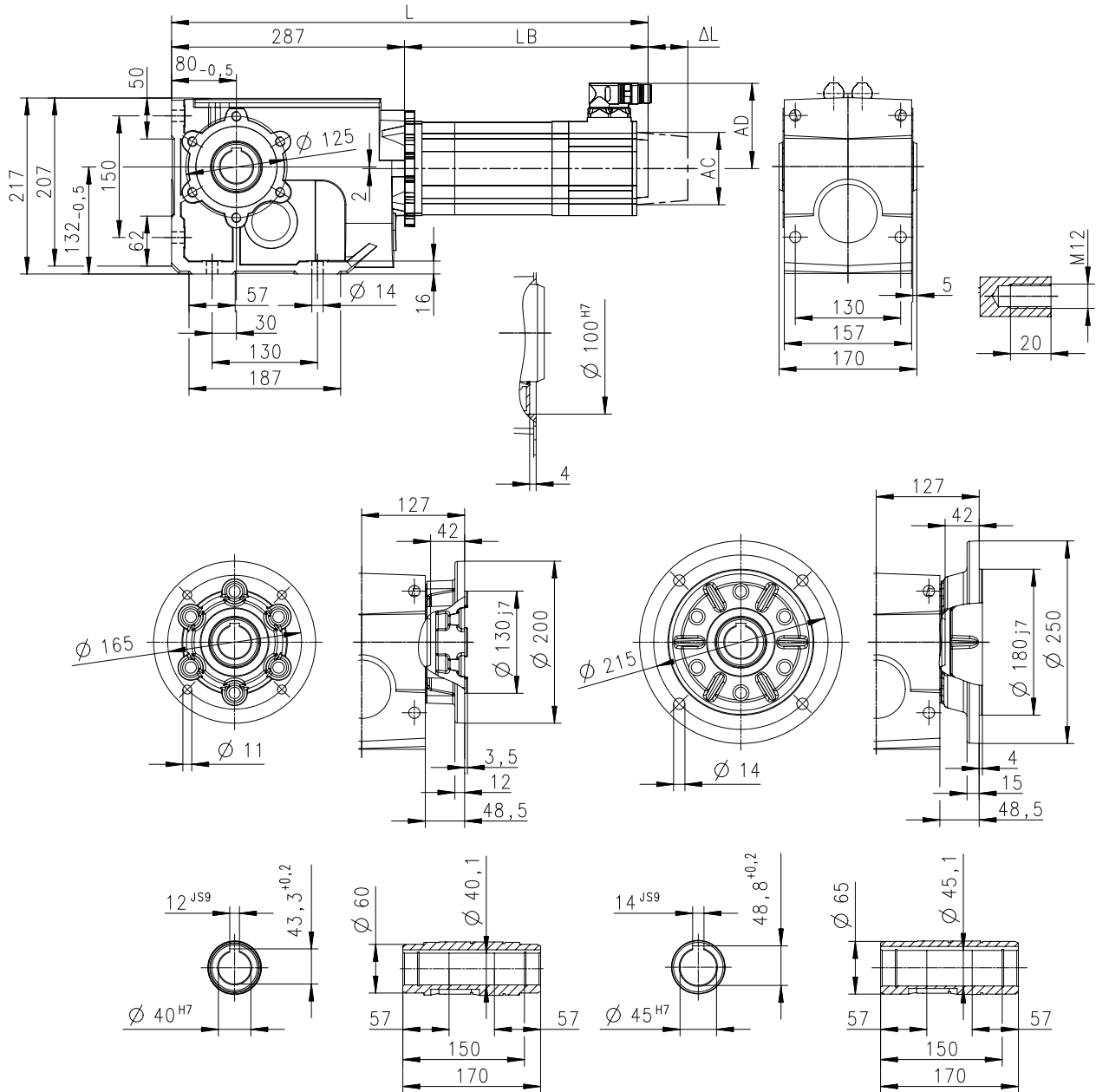
Technical data

Dimensions
Basic dimensions



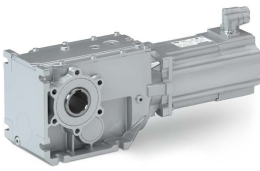
g500-B600 with MCS12

Gearbox design: hollow shaft, with foot (HAR/HBR/HAK)



8800569-00

Motor			MCS					
			12D17-	12D20- 12D20L	12D35-	12D41- 12D41L	12H14-	12H15- 12H15L
Cooling type			Forced	Natural	Forced	Natural	Forced	Natural
Total length	L	mm	561	488	561	488	601	528
Motor length	LB	mm	274	201	274	201	314	241
Length of motor options	Δ L	mm	63	69	63	69	63	69
Motor diameter	AC	mm	140	116	140	116	140	116
Motor/connection distance	AD	mm	105	105	105	105	105	105

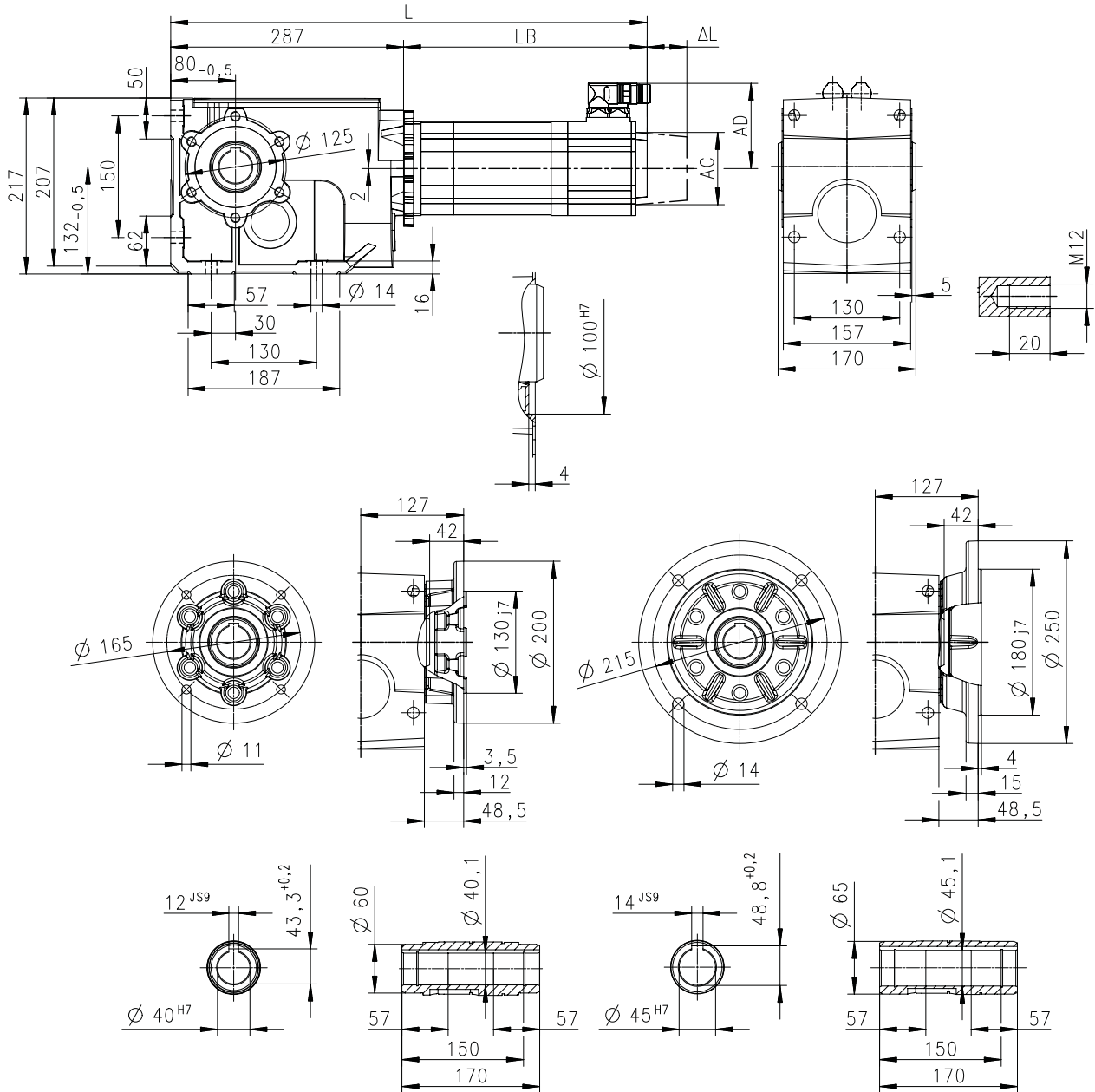


Technical data

Dimensions
Basic dimensions

g500-B600 with MCS12

Gearbox design: hollow shaft, with foot (HAR/HBR/HAK)



8800569-00

Motor			MCS					
			12H34-	12H35- 12H30L	12L17-	12L20- 12L20L	12L39-	12L41- 12L41L
Cooling type			Forced	Natural	Forced	Natural	Forced	Natural
Total length	L	mm	601	528	641	568	641	568
Motor length	LB	mm	314	241	354	281	354	281
Length of motor options	Δ L	mm	63	69	63	69	63	69
Motor diameter	AC	mm	140	116	140	116	140	116
Motor/connection distance	AD	mm	105	105	105	105	105	105

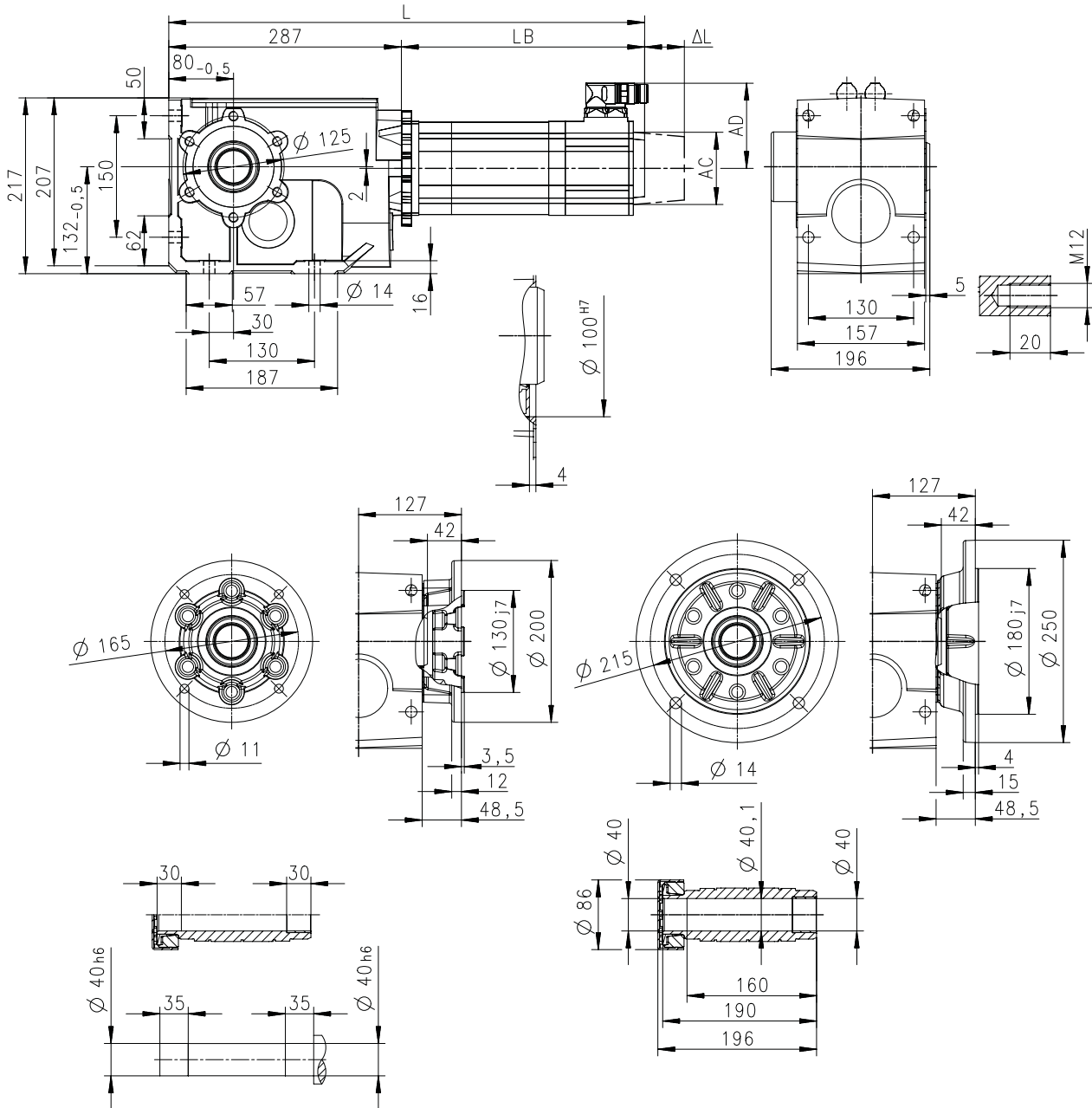
Technical data

Dimensions
Basic dimensions



g500-B600 with MCS12

Gearbox design: Hollow shaft with shrink disc, with foot (SAR/SBR/SAK)



8800571-00

Motor			MCS					
			12D17-	12D20- 12D20L	12D35-	12D41- 12D41L	12H14-	12H15- 12H15L
Cooling type			Forced	Natural	Forced	Natural	Forced	Natural
Total length	L	mm	561	488	561	488	601	528
Motor length	LB	mm	274	201	274	201	314	241
Length of motor options	Δ L	mm	63	69	63	69	63	69
Motor diameter	AC	mm	140	116	140	116	140	116
Motor/connection distance	AD	mm	105	105	105	105	105	105

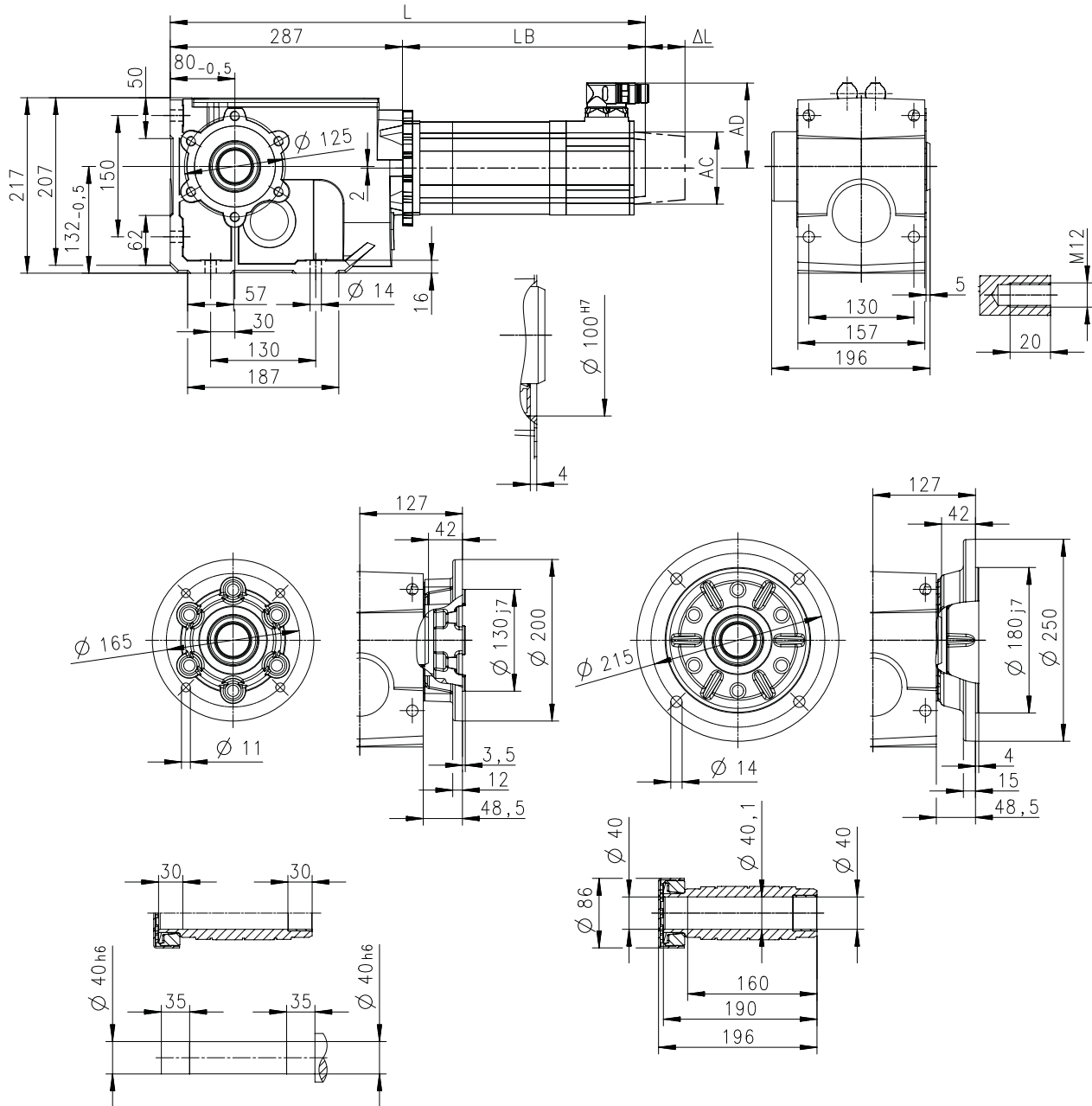


Technical data

Dimensions
Basic dimensions

g500-B600 with MCS12

Gearbox design: Hollow shaft with shrink disc, with foot (SAR/SBR/SAK)

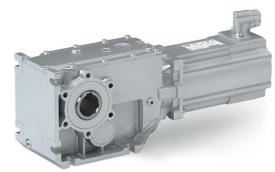


8800571-00

Motor			MCS					
			12H34-	12H35- 12H30L	12L17-	12L20- 12L20L	12L39-	12L41- 12L41L
Cooling type			Forced	Natural	Forced	Natural	Forced	Natural
Total length	L	mm	601	528	641	568	641	568
Motor length	LB	mm	314	241	354	281	354	281
Length of motor options	Δ L	mm	63	69	63	69	63	69
Motor diameter	AC	mm	140	116	140	116	140	116
Motor/connection distance	AD	mm	105	105	105	105	105	105

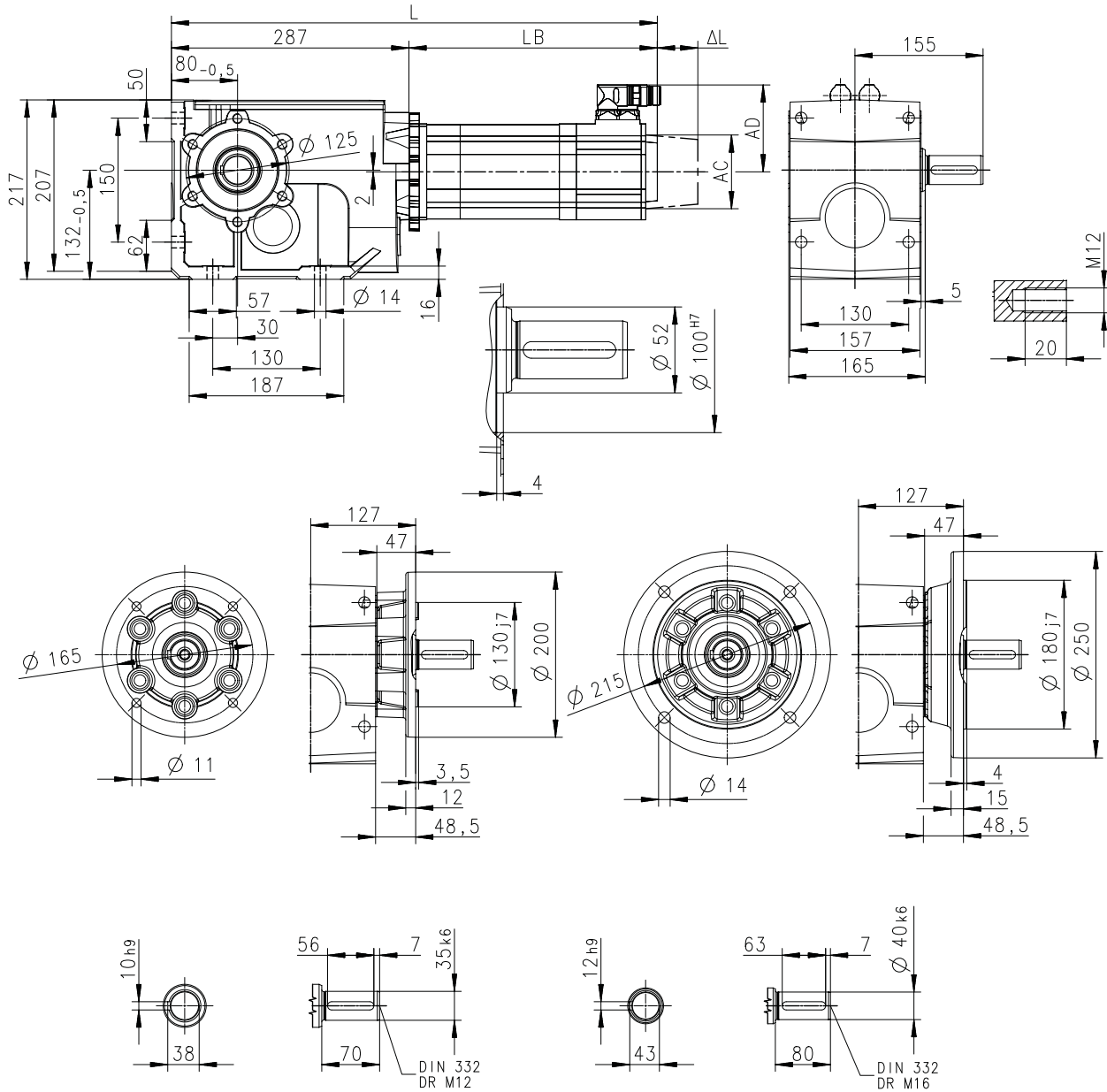
Technical data

Dimensions
Basic dimensions



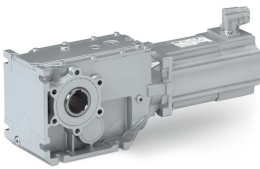
g500-B600 with MCS12

Gearbox design: solid shaft, with foot (VAR/VBR/VAK)



8800570-00

Motor			MCS					
			12D17-	12D20- 12D20L	12D35-	12D41- 12D41L	12H14-	12H15- 12H15L
Cooling type			Forced	Natural	Forced	Natural	Forced	Natural
Total length	L	mm	561	488	561	488	601	528
Motor length	LB	mm	274	201	274	201	314	241
Length of motor options	ΔL	mm	63	69	63	69	63	69
Motor diameter	AC	mm	140	116	140	116	140	116
Motor/connection distance	AD	mm	105	105	105	105	105	105

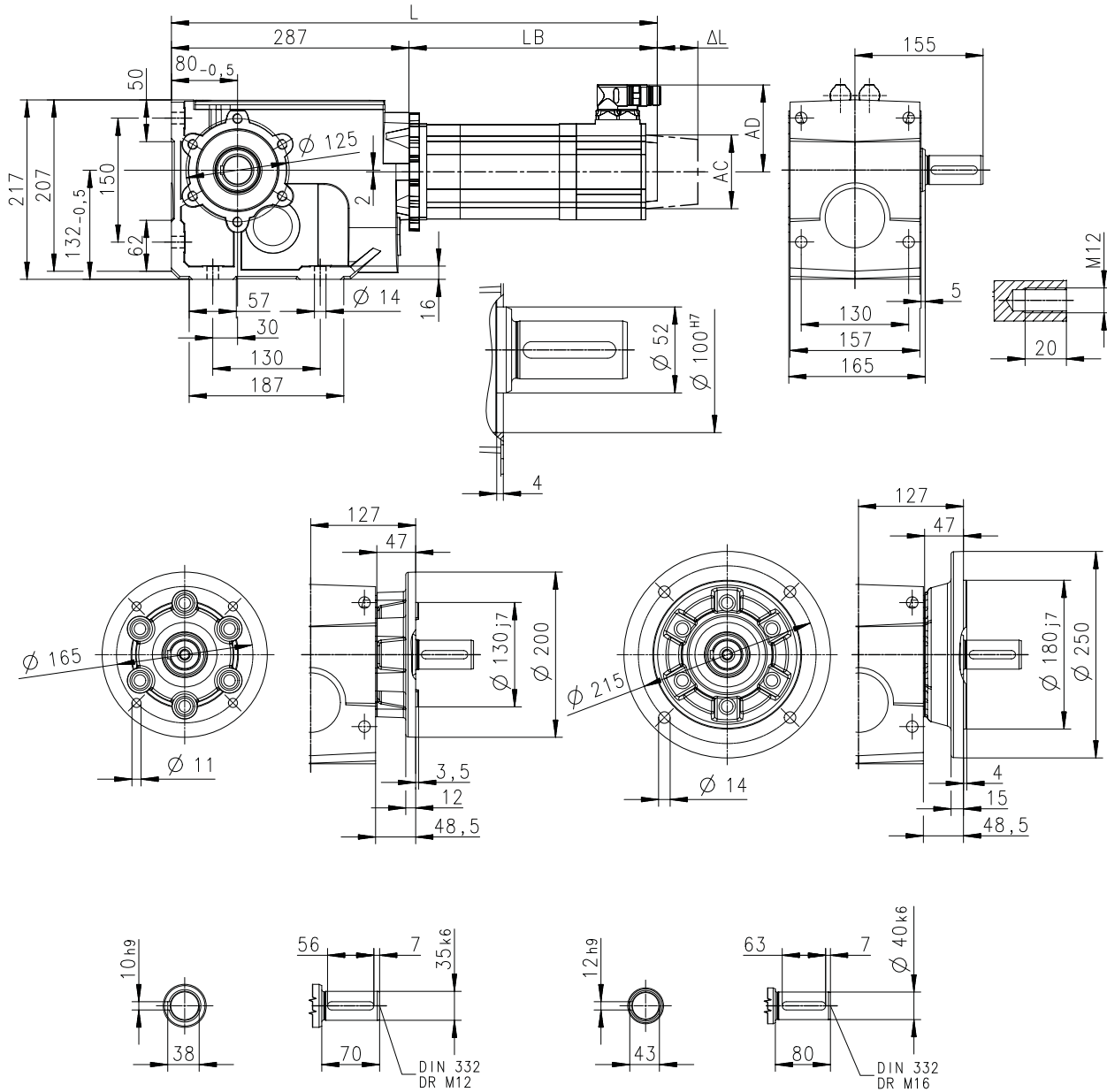


Technical data

Dimensions
Basic dimensions

g500-B600 with MCS12

Gearbox design: solid shaft, with foot (VAR/VBR/VAK)



8800570-00

Motor			MCS					
			12H34-	12H35- 12H30L	12L17-	12L20- 12L20L	12L39-	12L41- 12L41L
Cooling type			Forced	Natural	Forced	Natural	Forced	Natural
Total length	L	mm	601	528	641	568	641	568
Motor length	LB	mm	314	241	354	281	354	281
Length of motor options	ΔL	mm	63	69	63	69	63	69
Motor diameter	AC	mm	140	116	140	116	140	116
Motor/connection distance	AD	mm	105	105	105	105	105	105

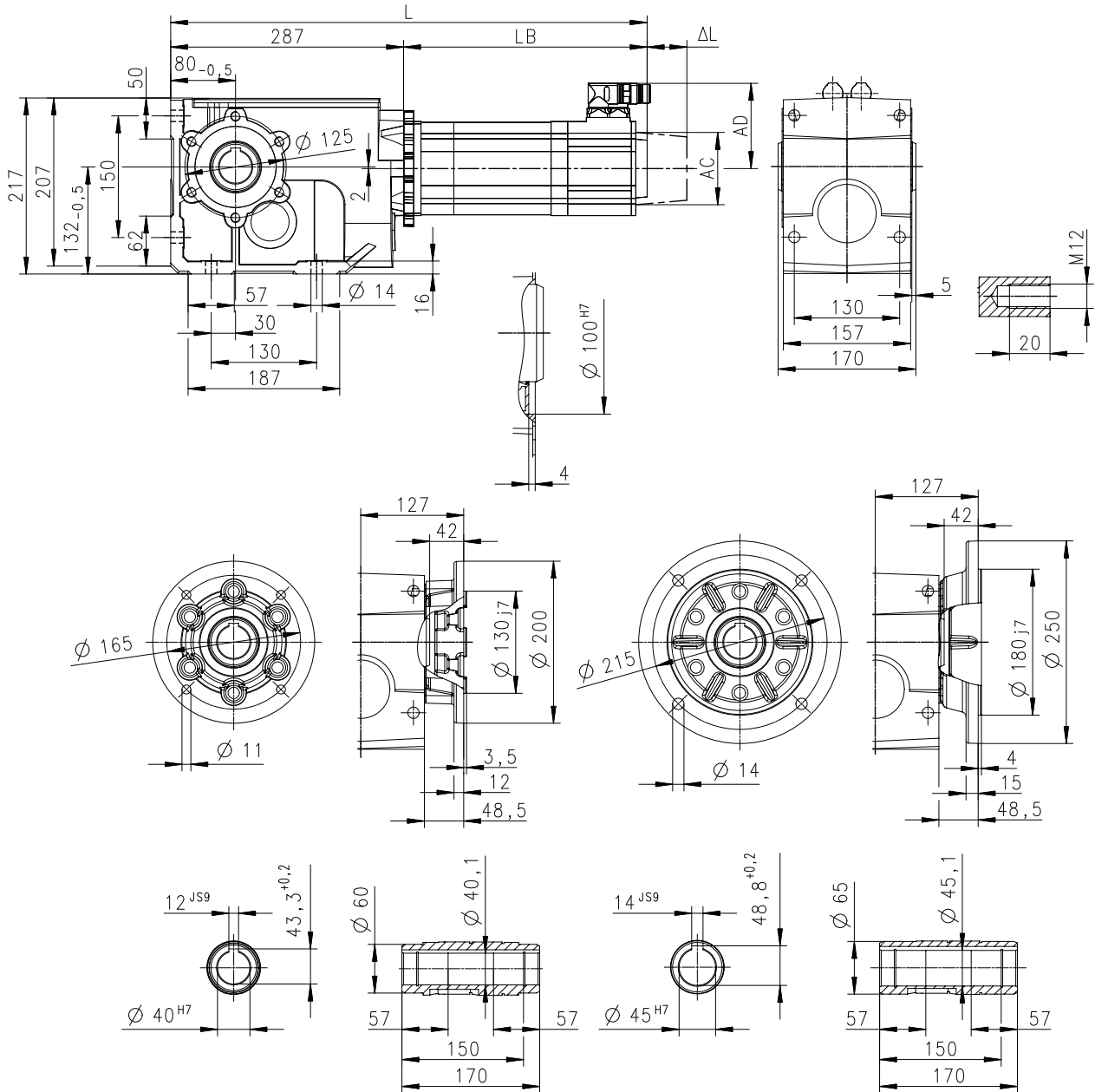
Technical data

Dimensions
Basic dimensions



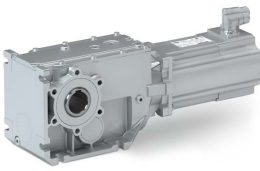
g500-B600 with MCS14

Gearbox design: hollow shaft, with foot (HAR/HBR/HAK)



8800569-00

Motor			MCS							
			14D14-	14D15-	14D30-	14D36-	14H12-	14H15-	14H28-	14H32-
Cooling type			Forced	Natural	Forced	Natural	Forced	Natural	Forced	Natural
Total length	L	mm	591	503	591	503	631	543	631	543
Motor length	LB	mm	304	216	304	216	344	256	344	256
Length of motor options	ΔL	mm	82	78	82	78	82	78	82	78
Motor diameter	AC	mm	167	143	167	143	167	143	167	143
Motor/connection distance	AD	mm	117	117	117	117	117	117	146	117

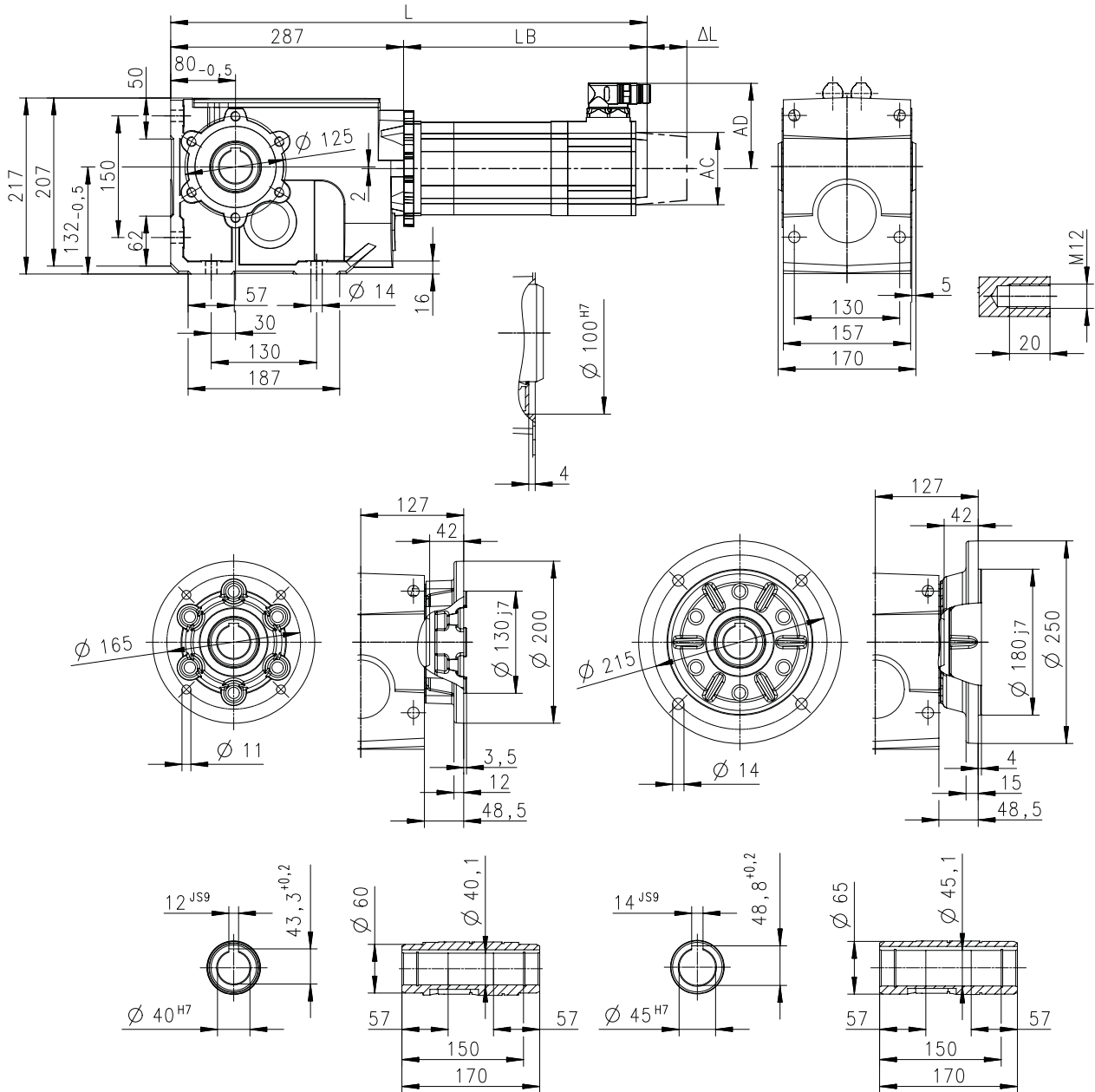


Technical data

Dimensions
Basic dimensions

g500-B600 with MCS14

Gearbox design: hollow shaft, with foot (HAR/HBR/HAK)



8800569-00

Motor			MCS							
			14L14-	14L15-	14L30-	14L32-	14P11-	14P14-	14P26-	14P32-
Cooling type			Forced	Natural	Forced	Natural	Forced	Natural	Forced	Natural
Total length	L	mm	671	583	671	583	711	623	711	623
Motor length	LB	mm	384	296	384	296	424	336	424	336
Length of motor options	Δ L	mm	82	78	82	78	82	78	82	78
Motor diameter	AC	mm	167	143	167	143	167	143	167	143
Motor/connection distance	AD	mm	117	117	146	146	117	117	146	146

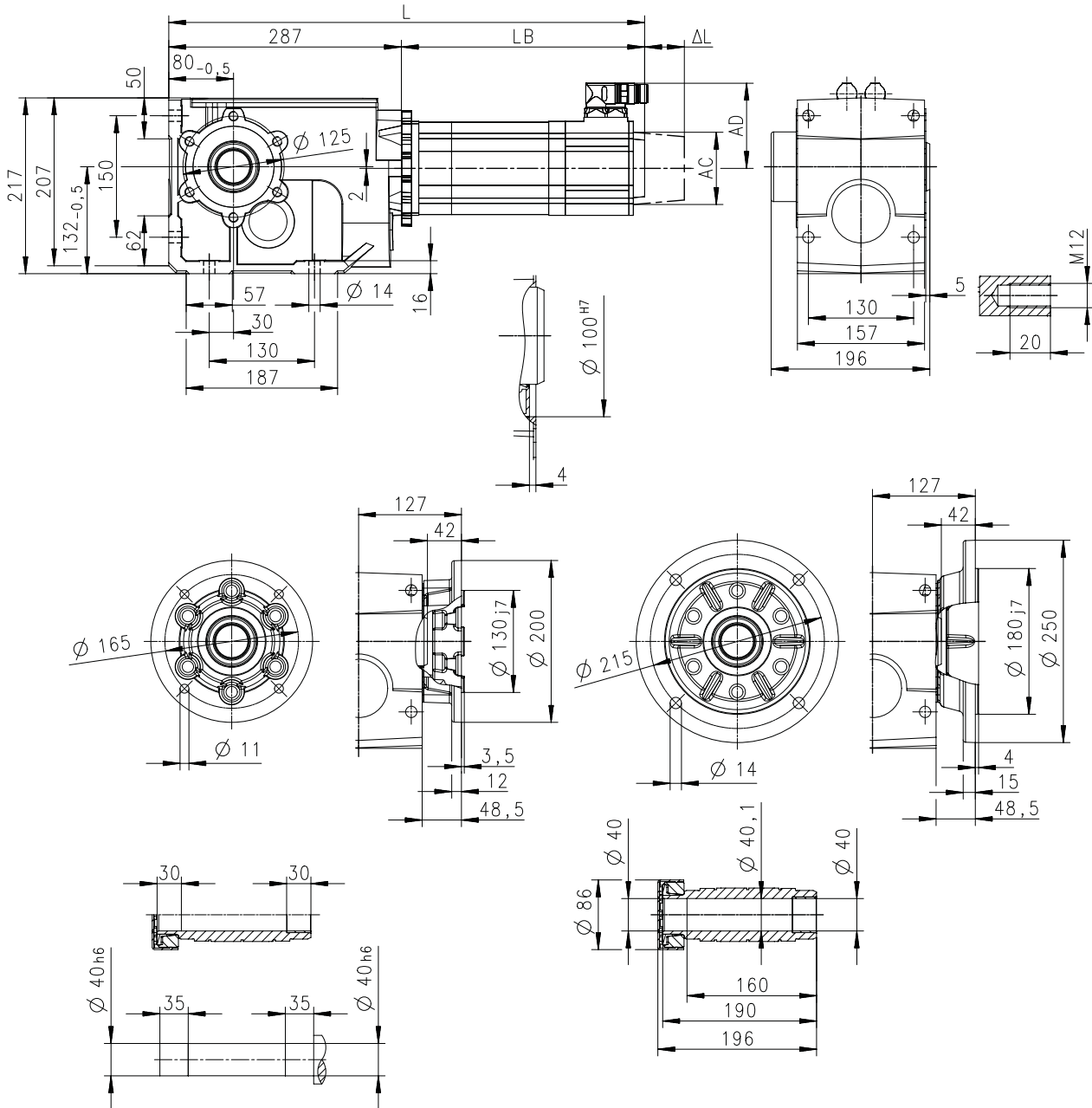
Technical data

Dimensions
Basic dimensions



g500-B600 with MCS14

Gearbox design: Hollow shaft with shrink disc, with foot (SAR/SBR/SAK)



8800571-00

Motor			MCS							
			14D14-	14D15-	14D30-	14D36-	14H12-	14H15-	14H28-	14H32-
Cooling type			Forced	Natural	Forced	Natural	Forced	Natural	Forced	Natural
Total length	L	mm	591	503	591	503	631	543	631	543
Motor length	LB	mm	304	216	304	216	344	256	344	256
Length of motor options	ΔL	mm	82	78	82	78	82	78	82	78
Motor diameter	AC	mm	167	143	167	143	167	143	167	143
Motor/connection distance	AD	mm	117	117	117	117	117	117	146	117

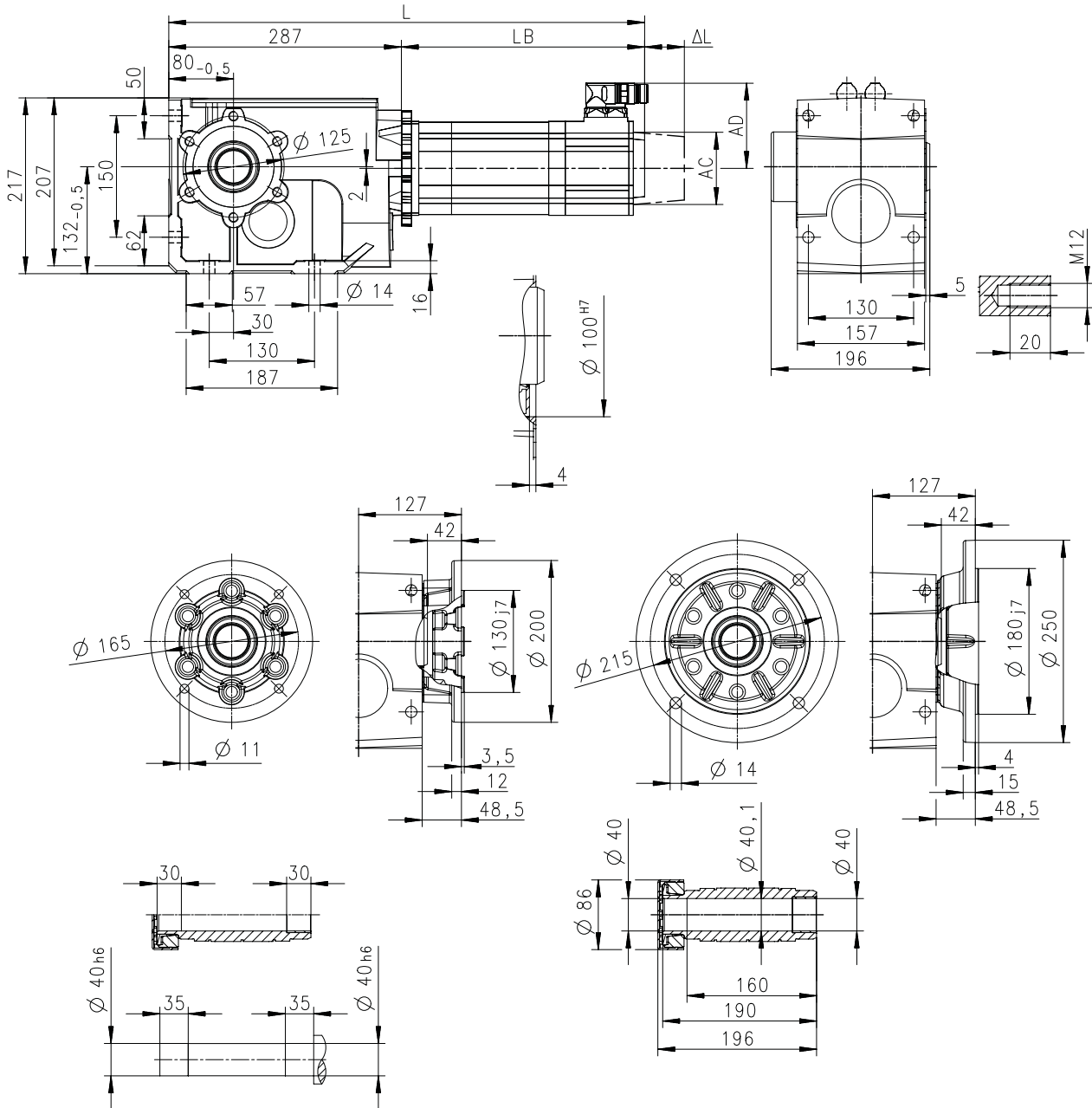


Technical data

Dimensions
Basic dimensions

g500-B600 with MCS14

Gearbox design: Hollow shaft with shrink disc, with foot (SAR/SBR/SAK)



8800571-00

Motor			MCS							
			14L14-	14L15-	14L30-	14L32-	14P11-	14P14-	14P26-	14P32-
Cooling type			Forced	Natural	Forced	Natural	Forced	Natural	Forced	Natural
Total length	L	mm	671	583	671	583	711	623	711	623
Motor length	LB	mm	384	296	384	296	424	336	424	336
Length of motor options	Δ L	mm	82	78	82	78	82	78	82	78
Motor diameter	AC	mm	167	143	167	143	167	143	167	143
Motor/connection distance	AD	mm	117	117	146	146	117	117	146	146

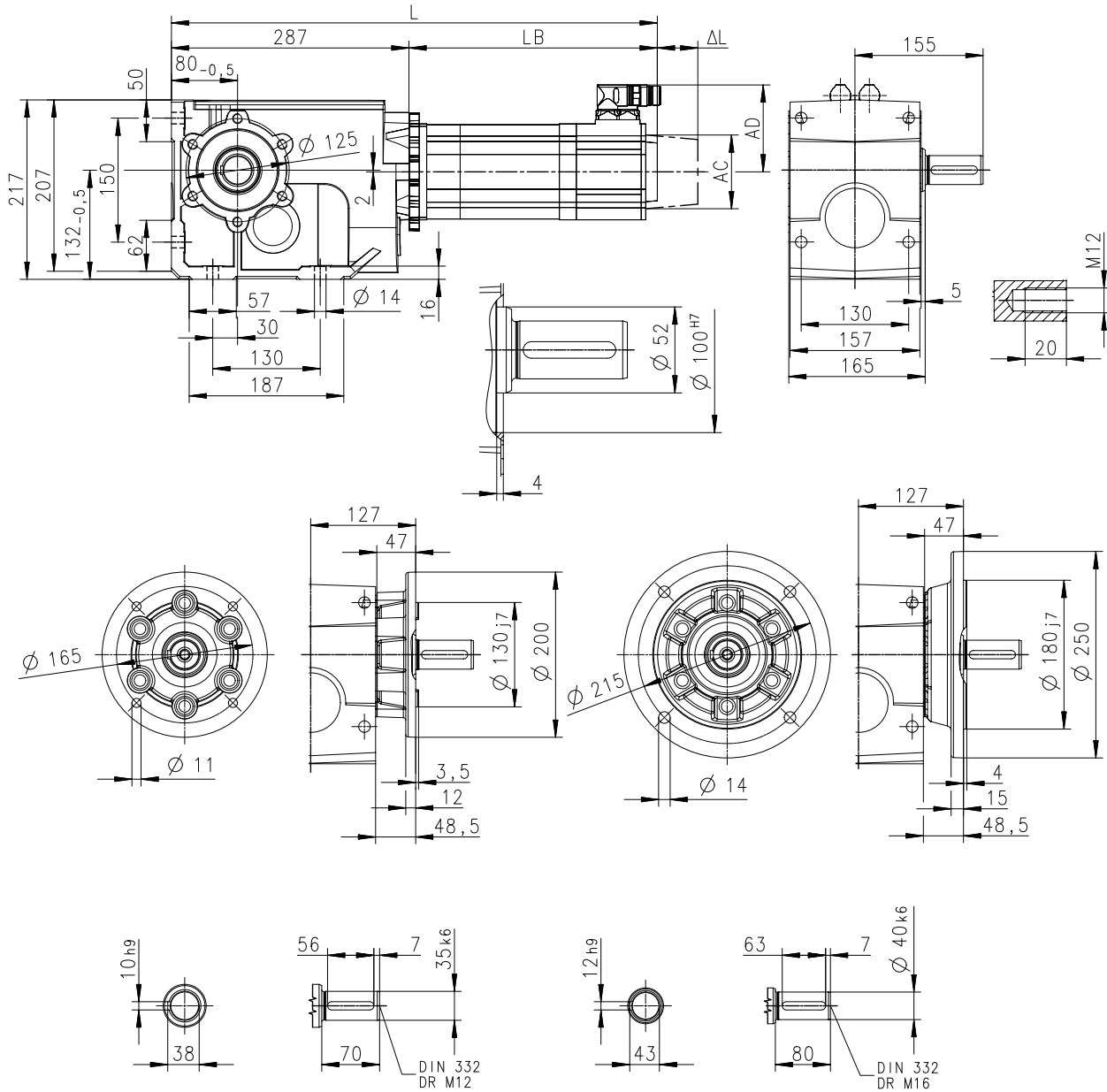
Technical data

Dimensions
Basic dimensions



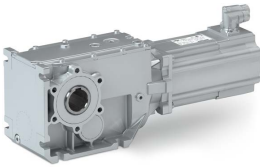
g500-B600 with MCS14

Gearbox design: solid shaft, with foot (VAR/VBR/VAK)



8800570-00

Motor			MCS							
			14D14-	14D15-	14D30-	14D36-	14H12-	14H15-	14H28-	14H32-
Cooling type			Forced	Natural	Forced	Natural	Forced	Natural	Forced	Natural
Total length	L	mm	591	503	591	503	631	543	631	543
Motor length	LB	mm	304	216	304	216	344	256	344	256
Length of motor options	ΔL	mm	82	78	82	78	82	78	82	78
Motor diameter	AC	mm	167	143	167	143	167	143	167	143
Motor/connection distance	AD	mm	117	117	117	117	117	117	146	117

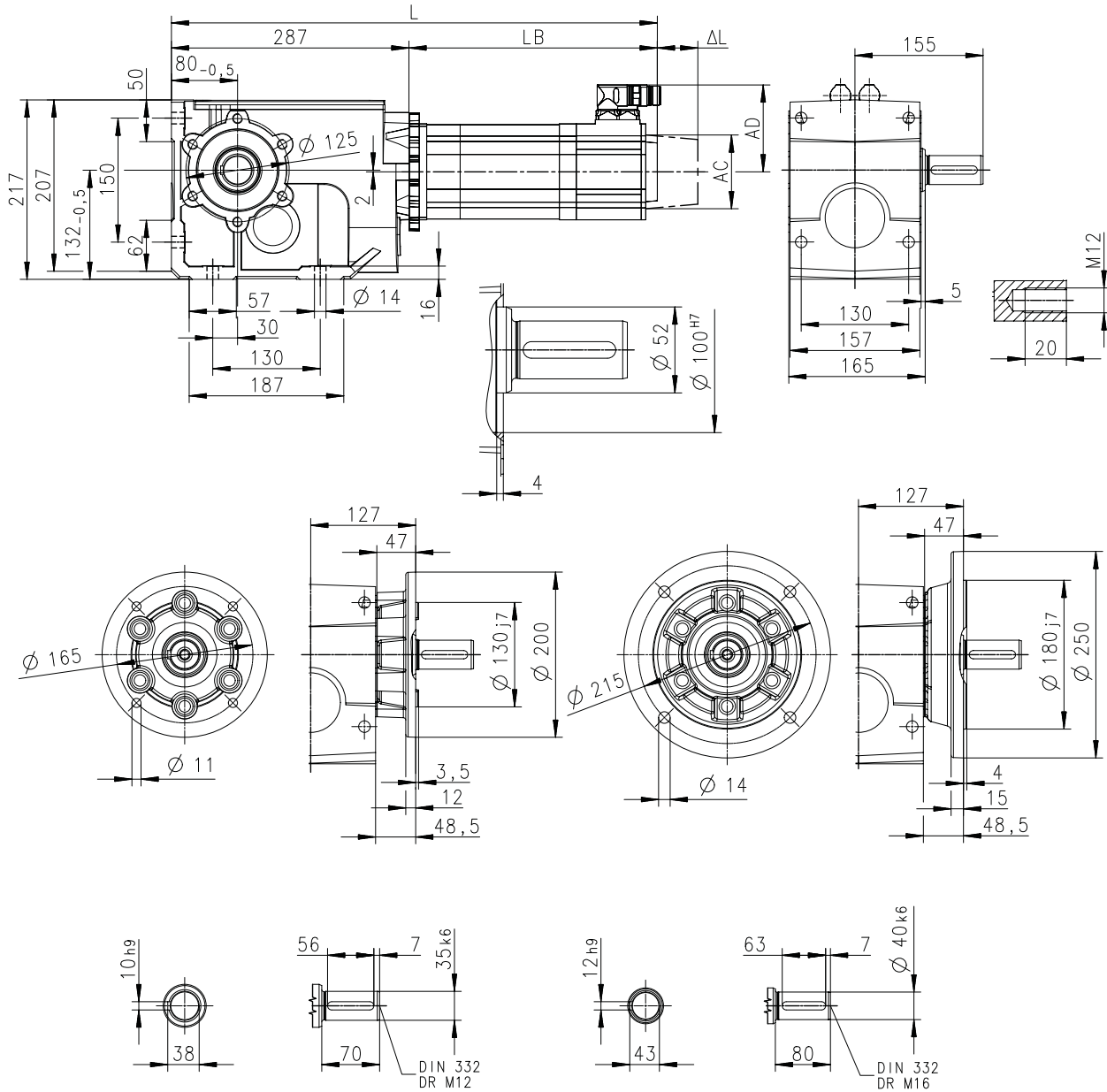


Technical data

Dimensions
Basic dimensions

g500-B600 with MCS14

Gearbox design: solid shaft, with foot (VAR/VBR/VAK)



8800570-00

Motor			MCS							
			14L14-	14L15-	14L30-	14L32-	14P11-	14P14-	14P26-	14P32-
Cooling type			Forced	Natural	Forced	Natural	Forced	Natural	Forced	Natural
Total length	L	mm	671	583	671	583	711	623	711	623
Motor length	LB	mm	384	296	384	296	424	336	424	336
Length of motor options	Δ L	mm	82	78	82	78	82	78	82	78
Motor diameter	AC	mm	167	143	167	143	167	143	167	143
Motor/connection distance	AD	mm	117	117	146	146	117	117	146	146

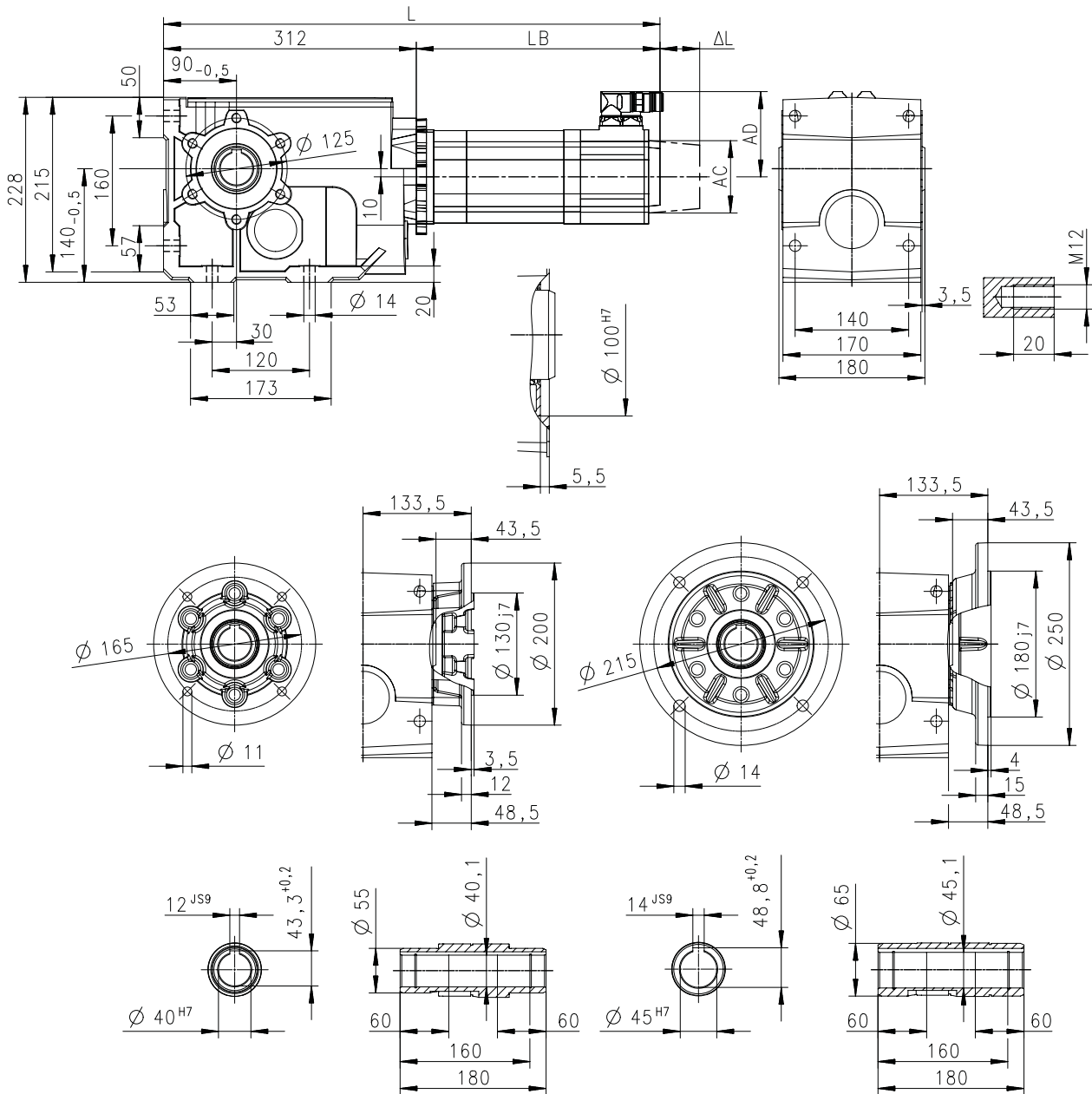
Technical data

Dimensions
Basic dimensions



g500-B820 with MCS06

Gearbox design: hollow shaft, with foot (HAR/HBR/HAK)



8800572-00

Motor			MCS		
			06C41-06C41L	06F41-06F41L	06I41-06I41L
Cooling type			Natural	Natural	Natural
Total length	L	mm	443	473	503
Motor length	LB	mm	131	161	191
Length of motor options	Δ L	mm		142	
Motor diameter	AC	mm		86	
Motor/connection distance	AD	mm		77	

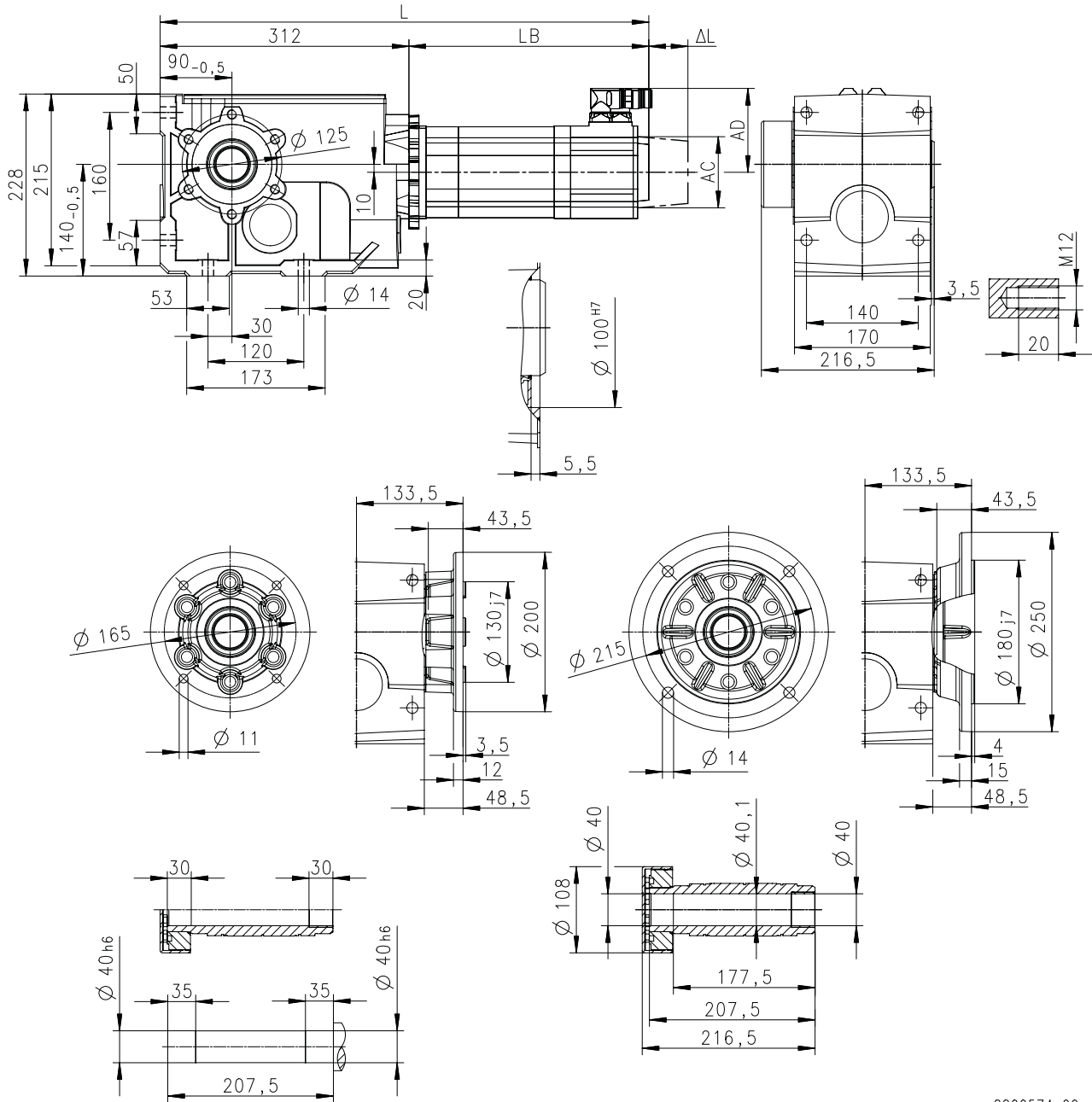


Technical data

Dimensions
Basic dimensions

g500-B820 with MCS06

Gearbox design: Hollow shaft with shrink disc, with foot (SAR/SBR/SAK)



8800574-00

Motor			MCS		
			06C41- 06C41L	06F41- 06F41L	06I41- 06I41L
Cooling type			Natural	Natural	Natural
Total length	L	mm	443	473	503
Motor length	LB	mm	131	161	191
Length of motor options	ΔL	mm		142	
Motor diameter	AC	mm		86	
Motor/connection distance	AD	mm		77	

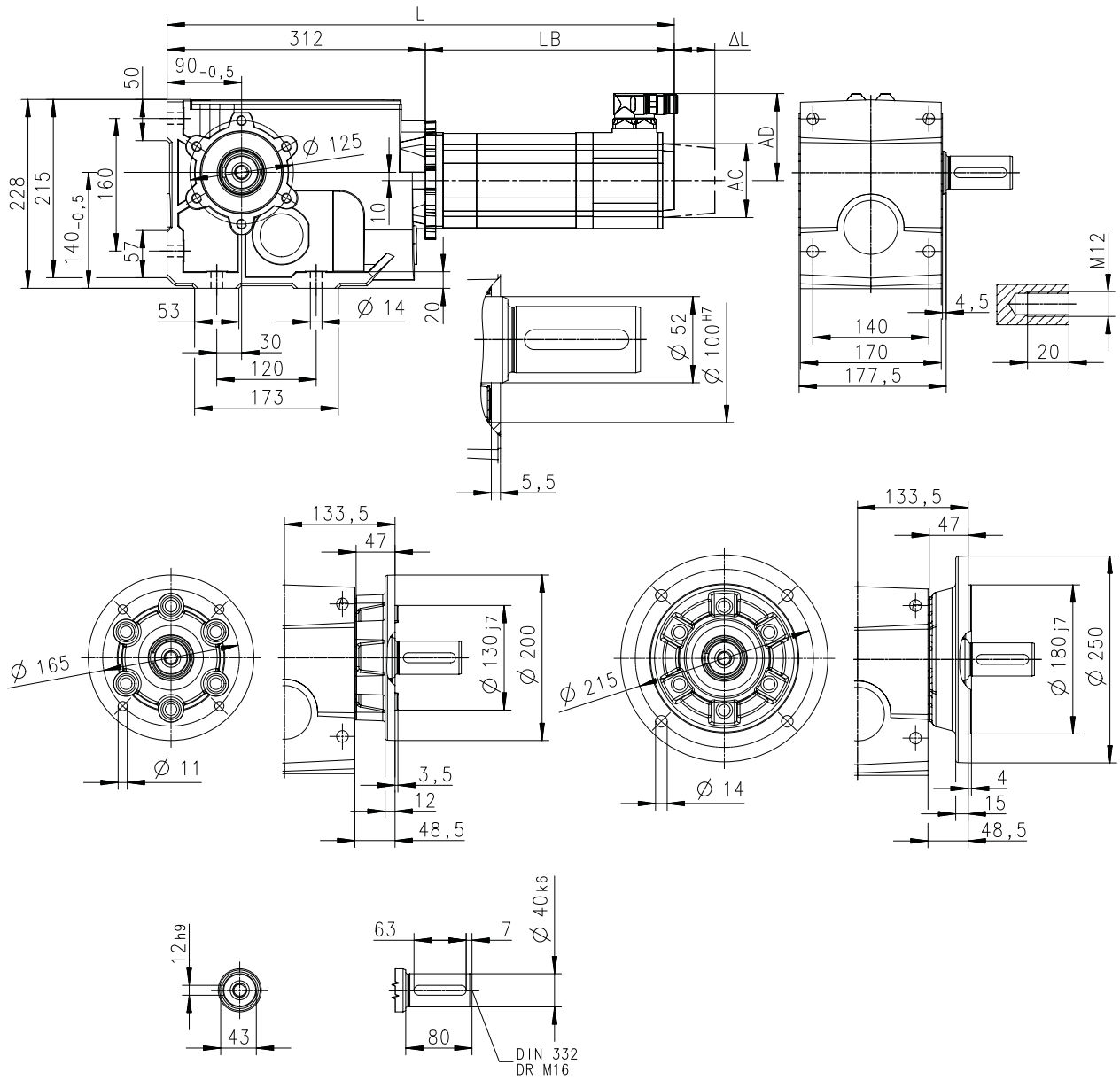
Technical data

Dimensions
Basic dimensions



g500-B820 with MCS06

Gearbox design: solid shaft, with foot (VAR/VBR/VAK)



8800573-00

Motor			MCS		
			06C41-06C41L	06F41-06F41L	06I41-06I41L
Cooling type			Natural	Natural	Natural
Total length	L	mm	443	473	503
Motor length	LB	mm	131	161	191
Length of motor options	ΔL	mm		142	
Motor diameter	AC	mm		86	
Motor/connection distance	AD	mm		77	

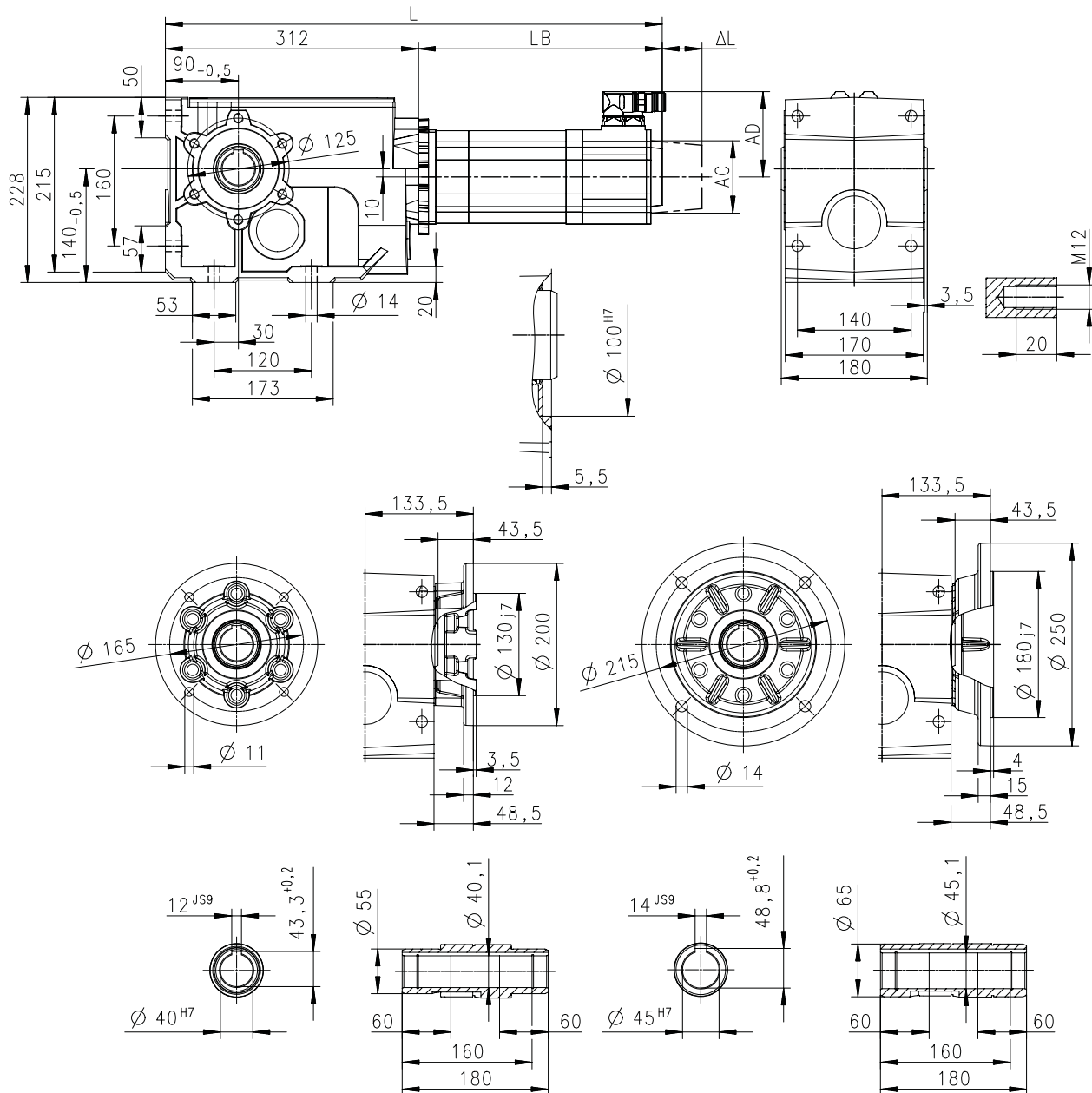


Technical data

Dimensions
Basic dimensions

g500-B820 with MCS09

Gearbox design: hollow shaft, with foot (HAR/HBR/HAK)



8800572-00

Motor			MCS			
			09D41- 09D41L	09F38- 09F38L	09H41- 09H41L	09L41- 09L41L
Cooling type			Natural	Natural	Natural	Natural
Total length	L	mm	496	516	536	576
Motor length	LB	mm	184	204	224	264
Length of motor options	ΔL	mm	71			
Motor diameter	AC	mm	89			
Motor/connection distance	AD	mm	90			

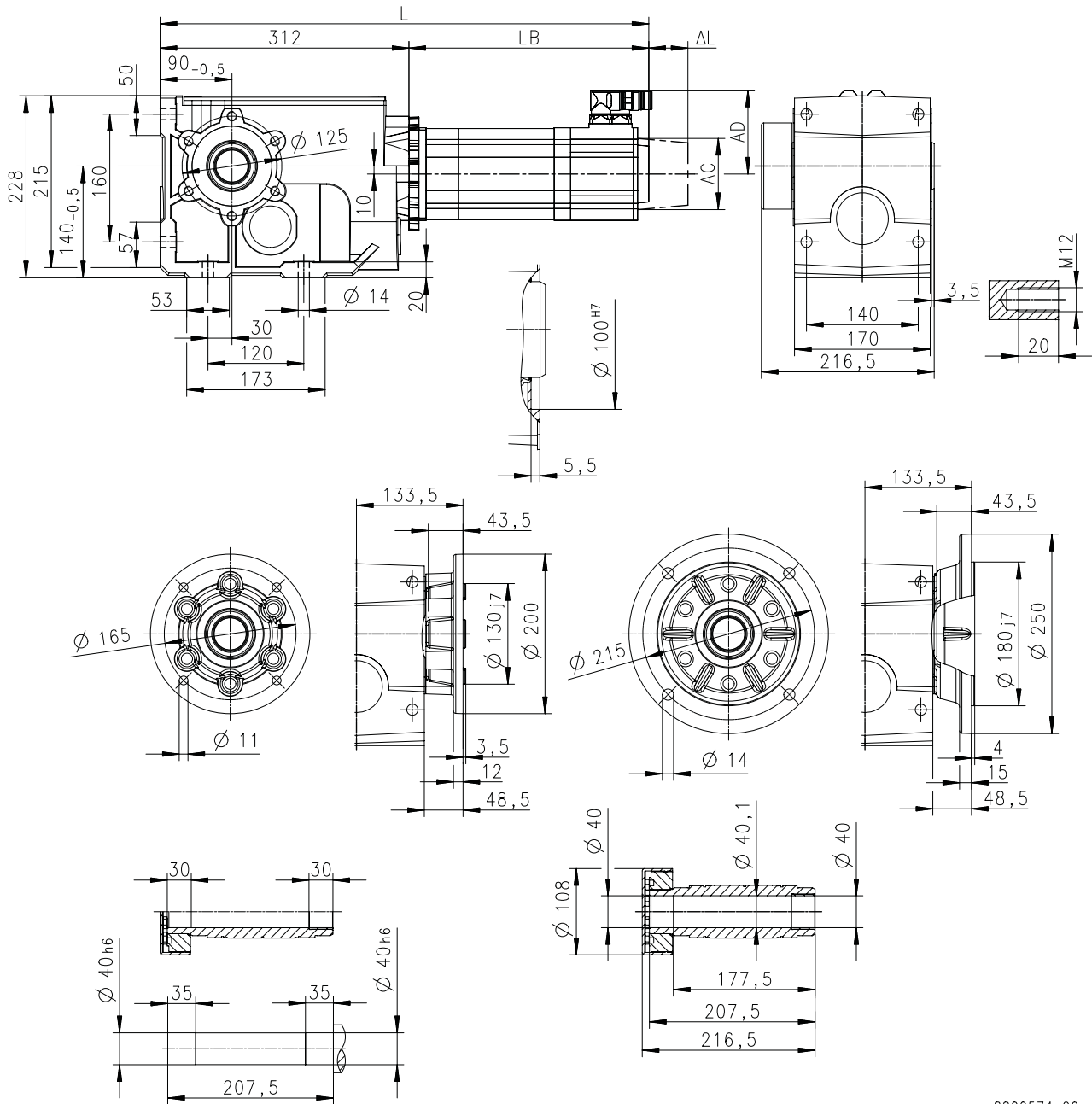
Technical data

Dimensions
Basic dimensions



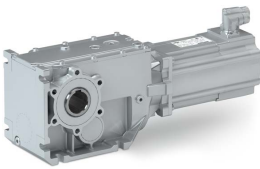
g500-B820 with MCS09

Gearbox design: Hollow shaft with shrink disc, with foot (SAR/SBR/SAK)



8800574-00

Motor			MCS			
			09D41-09D41L	09F38-09F38L	09H41-09H41L	09L41-09L41L
Cooling type			Natural	Natural	Natural	Natural
Total length	L	mm	496	516	536	576
Motor length	LB	mm	184	204	224	264
Length of motor options	ΔL	mm	71			
Motor diameter	AC	mm	89			
Motor/connection distance	AD	mm	90			

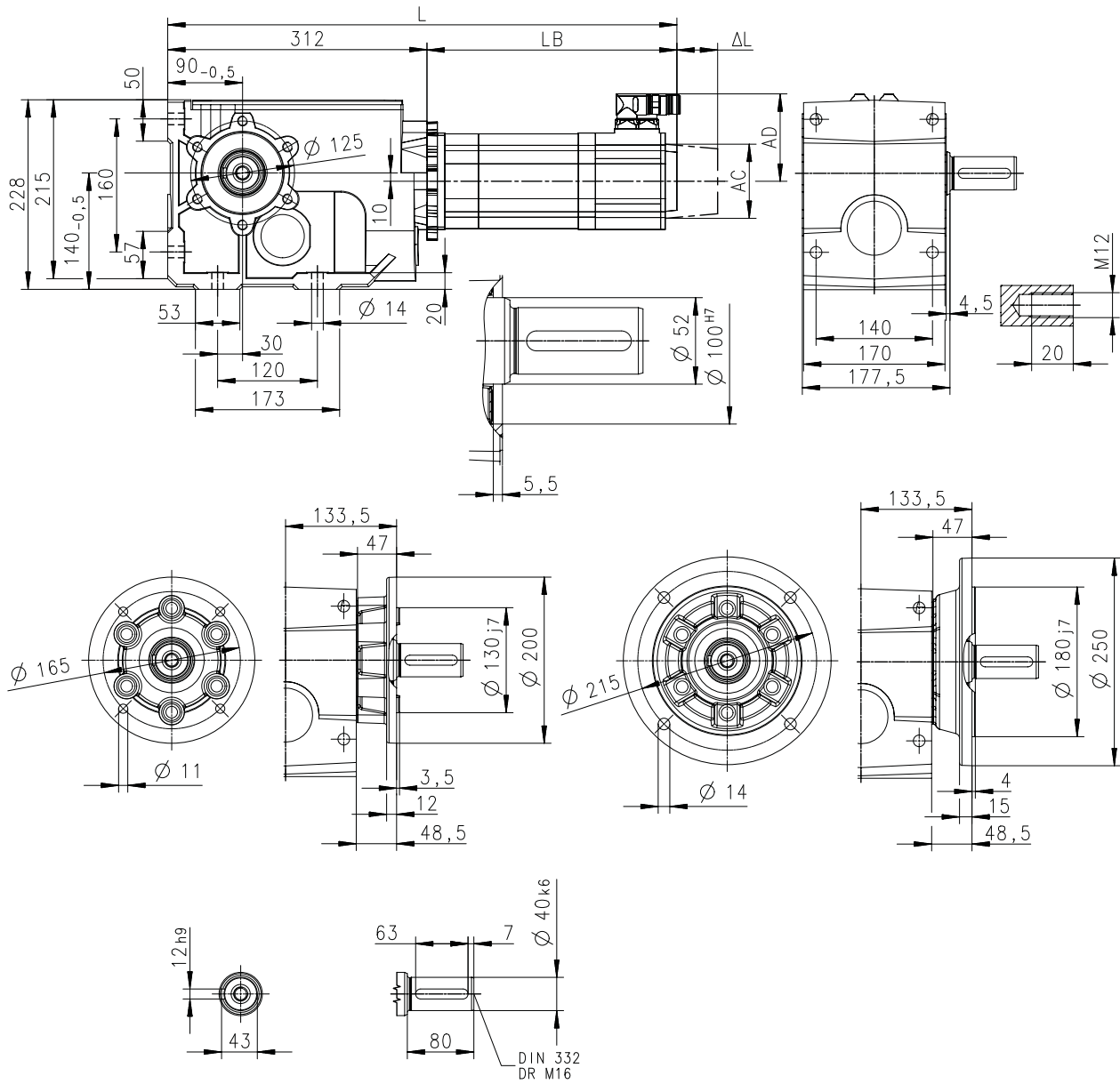


Technical data

Dimensions
Basic dimensions

g500-B820 with MCS09

Gearbox design: solid shaft, with foot (VAR/VBR/VAK)



8800573-00

Motor			MCS			
			09D41-09D41L	09F38-09F38L	09H41-09H41L	09L41-09L41L
Cooling type			Natural	Natural	Natural	Natural
Total length	L	mm	496	516	536	576
Motor length	LB	mm	184	204	224	264
Length of motor options	ΔL	mm	71			
Motor diameter	AC	mm	89			
Motor/connection distance	AD	mm	90			

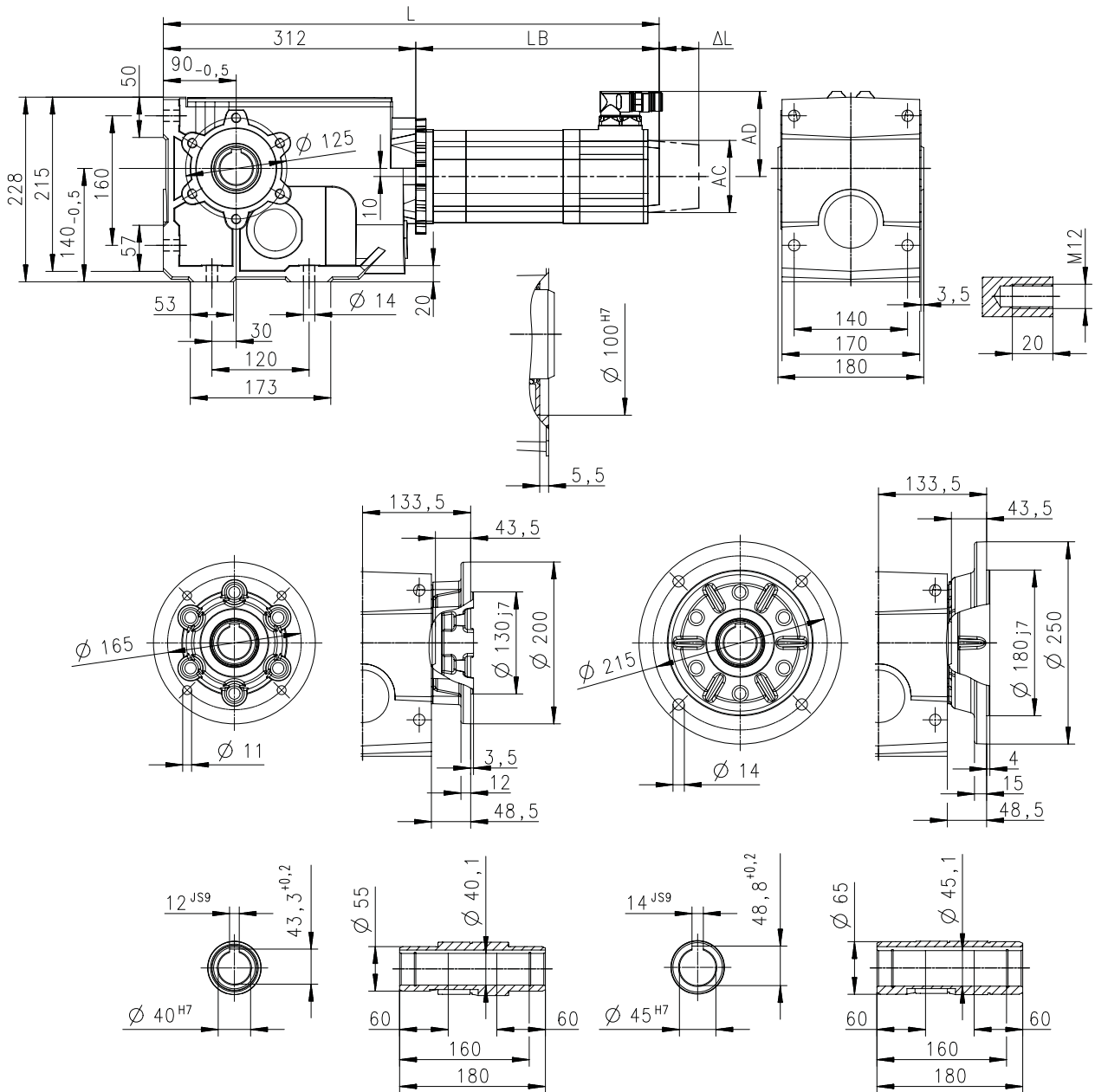
Technical data

Dimensions
Basic dimensions



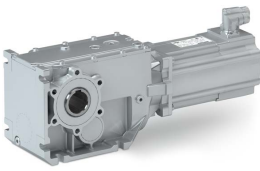
g500-B820 with MCS12

Gearbox design: hollow shaft, with foot (HAR/HBR/HAK)



8800572-00

Motor			MCS					
			12D17-	12D20- 12D20L	12D35-	12D41- 12D41L	12H14-	12H15- 12H15L
Cooling type			Forced	Natural	Forced	Natural	Forced	Natural
Total length	L	mm	586	513	586	513	626	553
Motor length	LB	mm	274	201	274	201	314	241
Length of motor options	Δ L	mm	63	69	63	69	63	69
Motor diameter	AC	mm	140	116	140	116	140	116
Motor/connection distance	AD	mm	105	105	105	105	105	105

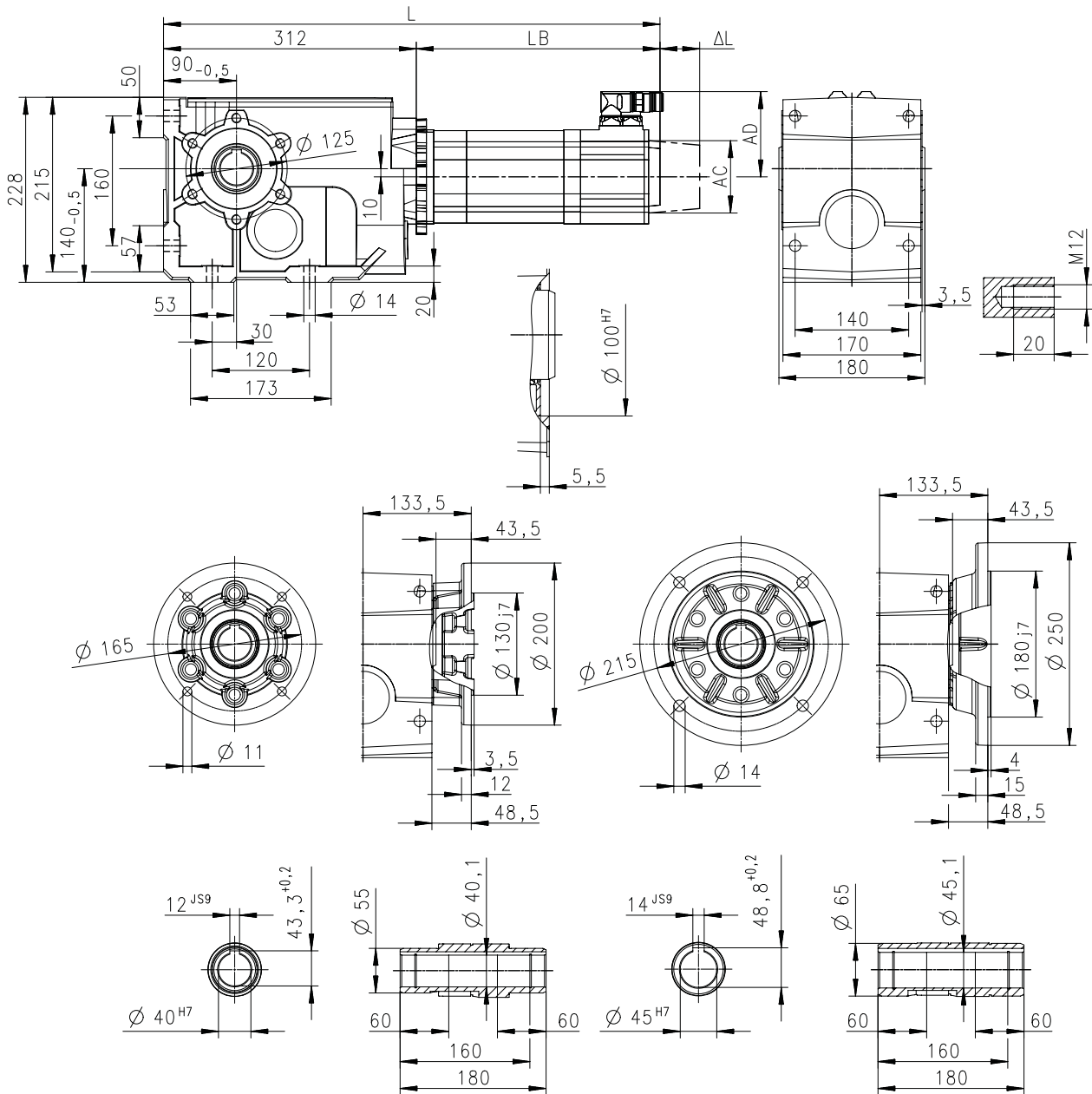


Technical data

Dimensions
Basic dimensions

g500-B820 with MCS12

Gearbox design: hollow shaft, with foot (HAR/HBR/HAK)



8800572-00

Motor			MCS					
			12H34-	12H35- 12H30L	12L17-	12L20- 12L20L	12L39-	12L41- 12L41L
Cooling type			Forced	Natural	Forced	Natural	Forced	Natural
Total length	L	mm	626	553	666	593	666	593
Motor length	LB	mm	314	241	354	281	354	281
Length of motor options	Δ L	mm	63	69	63	69	63	69
Motor diameter	AC	mm	140	116	140	116	140	116
Motor/connection distance	AD	mm	105	105	105	105	105	105

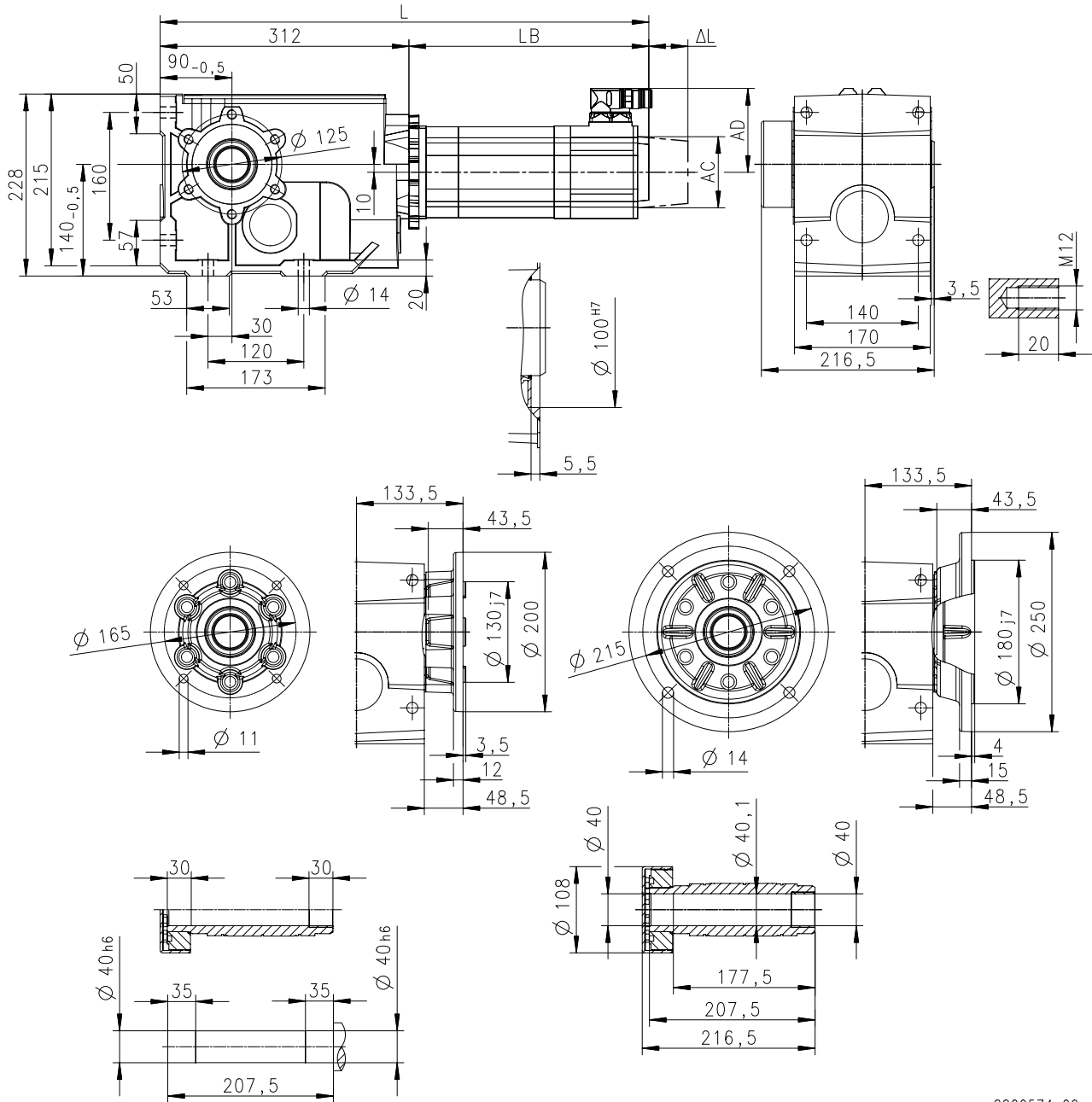
Technical data

Dimensions
Basic dimensions



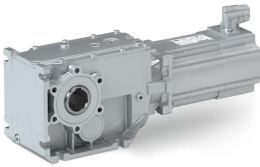
g500-B820 with MCS12

Gearbox design: Hollow shaft with shrink disc, with foot (SAR/SBR/SAK)



8800574-00

Motor			MCS					
			12D17-	12D20- 12D20L	12D35-	12D41- 12D41L	12H14-	12H15- 12H15L
Cooling type			Forced	Natural	Forced	Natural	Forced	Natural
Total length	L	mm	586	513	586	513	626	553
Motor length	LB	mm	274	201	274	201	314	241
Length of motor options	Δ L	mm	63	69	63	69	63	69
Motor diameter	AC	mm	140	116	140	116	140	116
Motor/connection distance	AD	mm	105	105	105	105	105	105

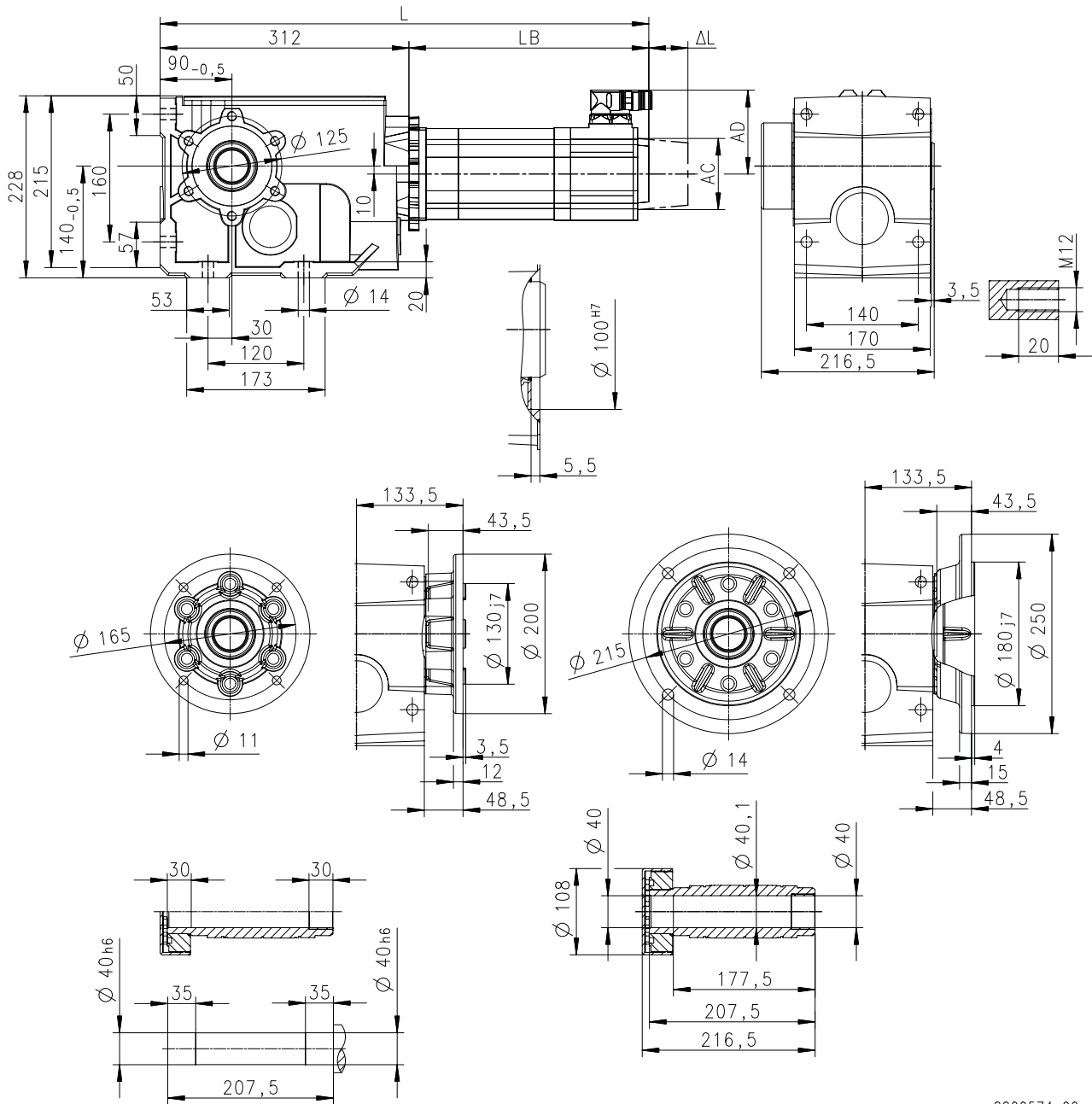


Technical data

Dimensions
Basic dimensions

g500-B820 with MCS12

Gearbox design: Hollow shaft with shrink disc, with foot (SAR/SBR/SAK)



8800574-00

Motor			MCS					
			12H34-	12H35- 12H30L	12L17-	12L20- 12L20L	12L39-	12L41- 12L41L
Cooling type			Forced	Natural	Forced	Natural	Forced	Natural
Total length	L	mm	626	553	666	593	666	593
Motor length	LB	mm	314	241	354	281	354	281
Length of motor options	ΔL	mm	63	69	63	69	63	69
Motor diameter	AC	mm	140	116	140	116	140	116
Motor/connection distance	AD	mm	105	105	105	105	105	105

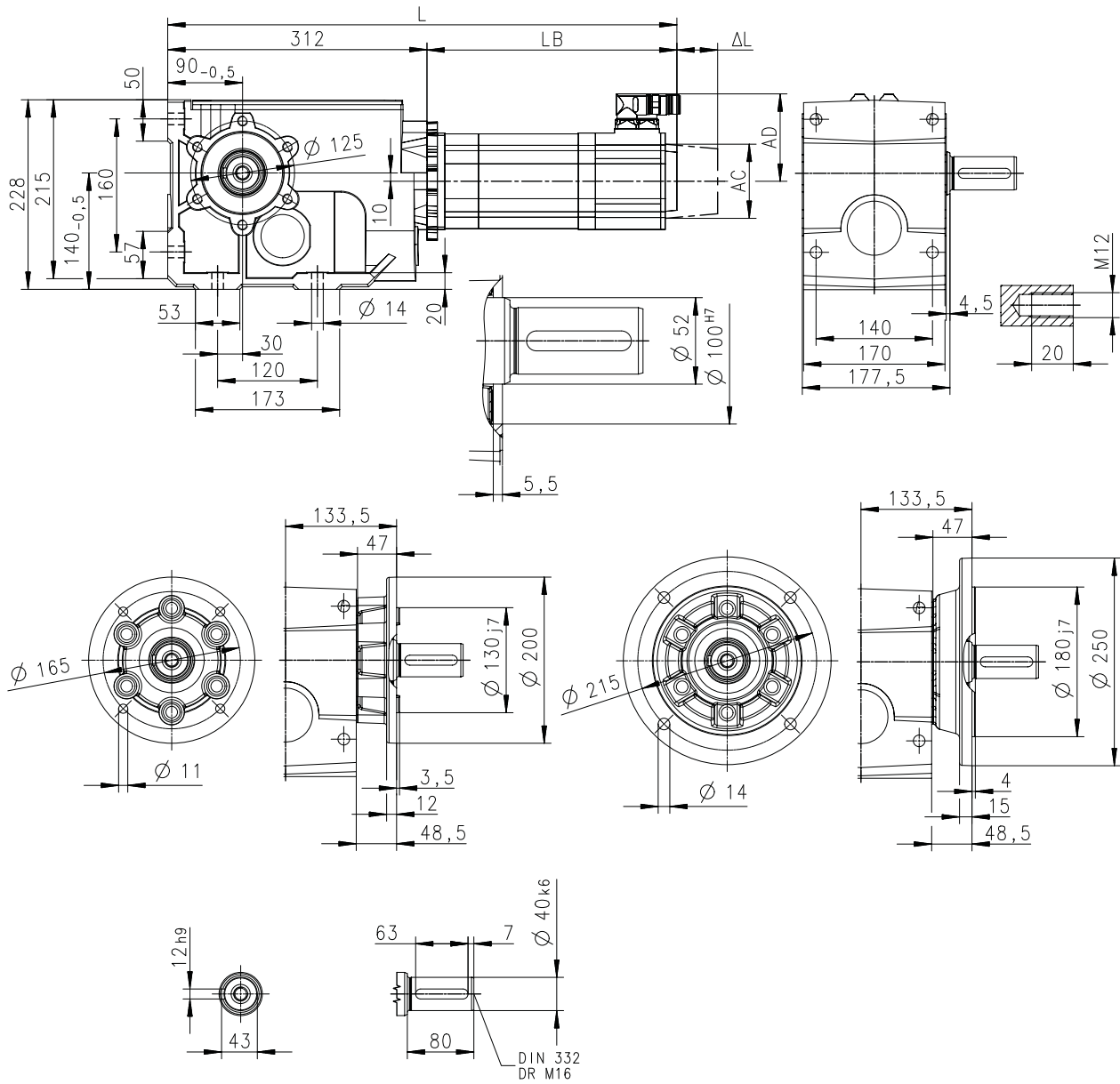
Technical data

Dimensions
Basic dimensions



g500-B820 with MCS12

Gearbox design: solid shaft, with foot (VAR/VBR/VAK)



8800573-00

Motor			MCS					
			12D17-	12D20- 12D20L	12D35-	12D41- 12D41L	12H14-	12H15- 12H15L
Cooling type			Forced	Natural	Forced	Natural	Forced	Natural
Total length	L	mm	586	513	586	513	626	553
Motor length	LB	mm	274	201	274	201	314	241
Length of motor options	Δ L	mm	63	69	63	69	63	69
Motor diameter	AC	mm	140	116	140	116	140	116
Motor/connection distance	AD	mm	105	105	105	105	105	105

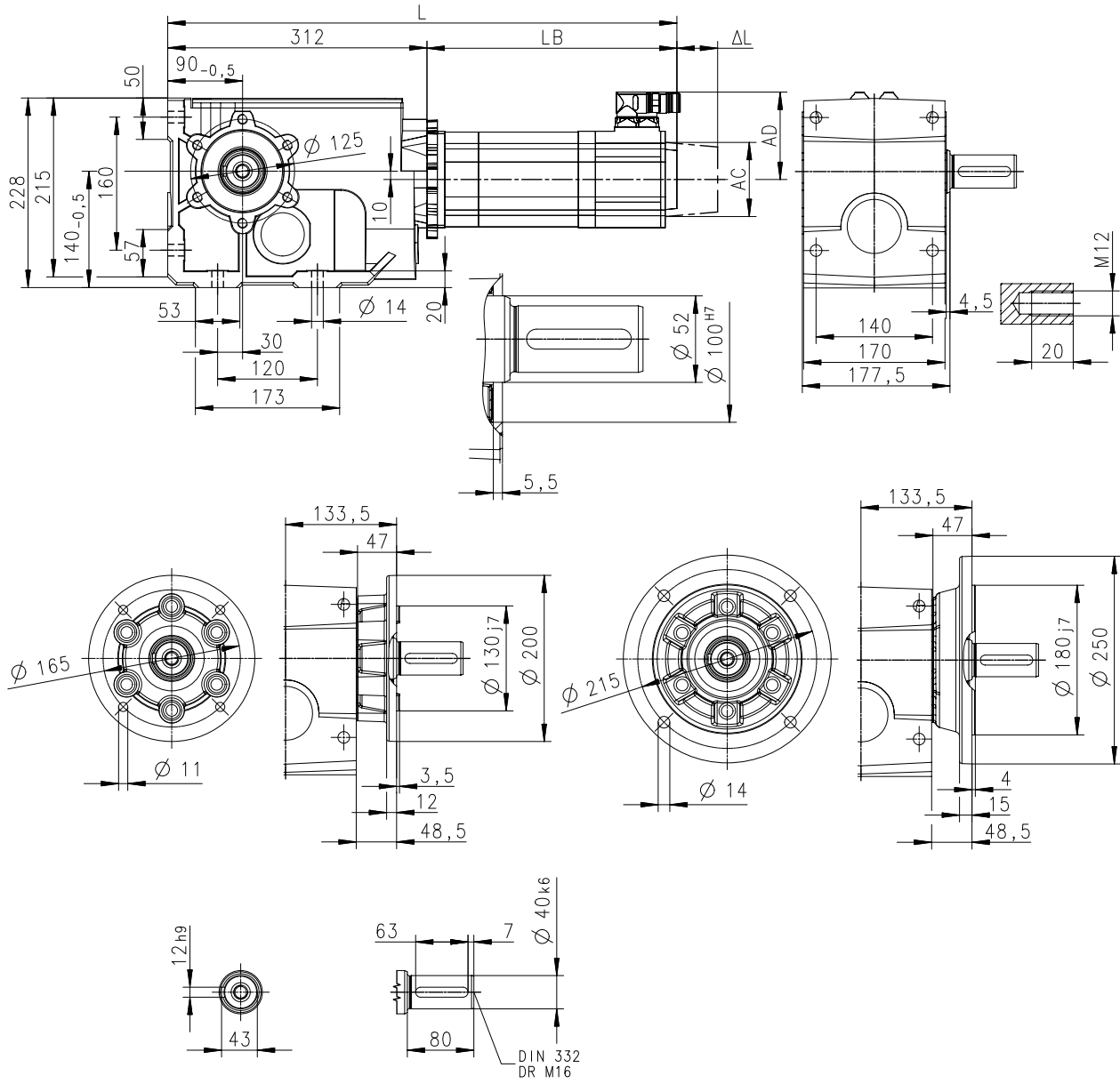


Technical data

Dimensions
Basic dimensions

g500-B820 with MCS12

Gearbox design: solid shaft, with foot (VAR/VBR/VAK)



8800573-00

Motor			MCS					
			12H34-	12H35- 12H30L	12L17-	12L20- 12L20L	12L39-	12L41- 12L41L
Cooling type			Forced	Natural	Forced	Natural	Forced	Natural
Total length	L	mm	626	553	666	593	666	593
Motor length	LB	mm	314	241	354	281	354	281
Length of motor options	Δ L	mm	63	69	63	69	63	69
Motor diameter	AC	mm	140	116	140	116	140	116
Motor/connection distance	AD	mm	105	105	105	105	105	105

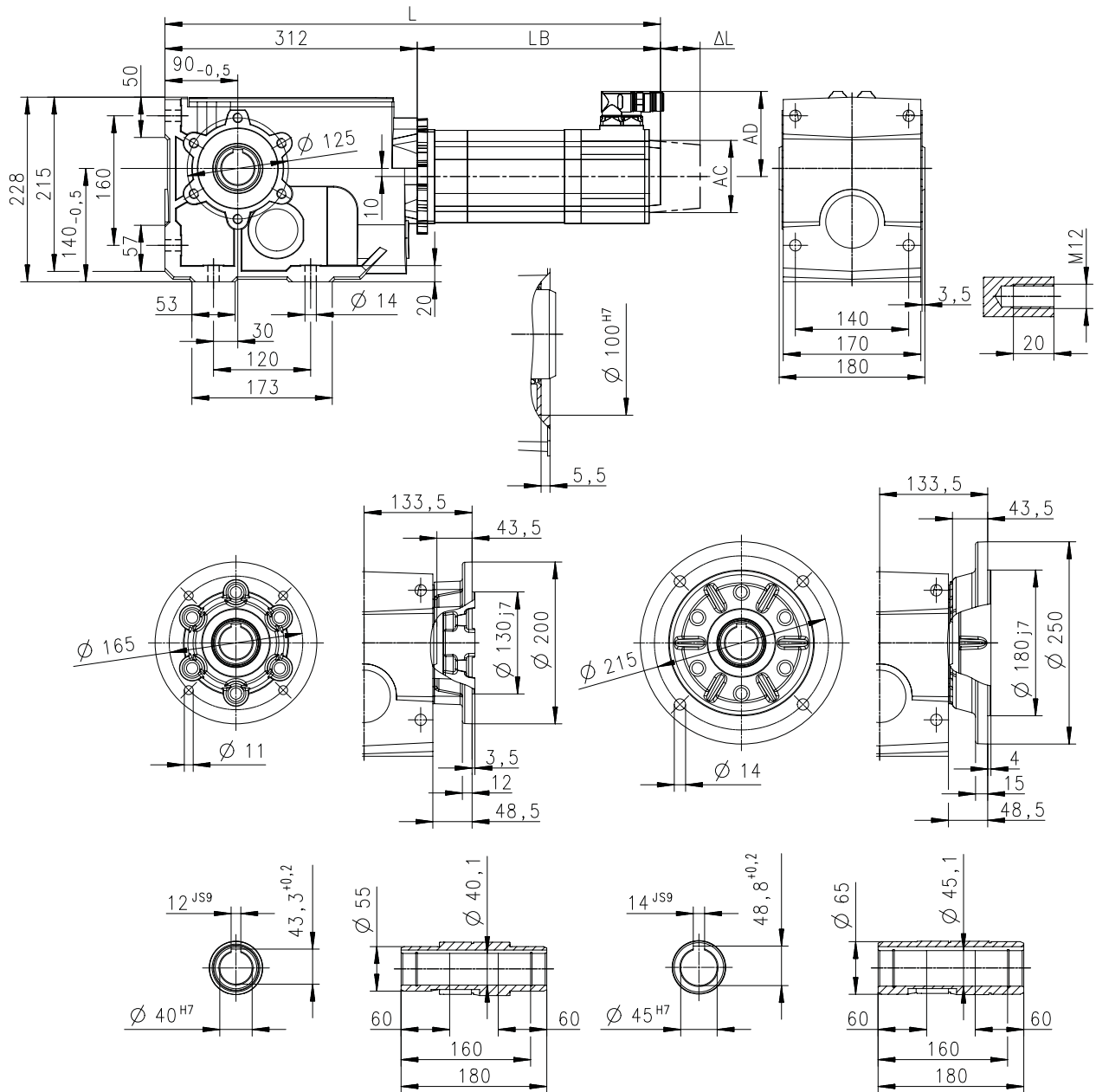
Technical data

Dimensions
Basic dimensions



g500-B820 with MCS14

Gearbox design: hollow shaft, with foot (HAR/HBR/HAK)



8800572-00

Motor			MCS							
			14D14-	14D15-	14D30-	14D36-	14H12-	14H15-	14H28-	14H32-
Cooling type			Forced	Natural	Forced	Natural	Forced	Natural	Forced	Natural
Total length	L	mm	616	528	616	528	656	568	656	568
Motor length	LB	mm	304	216	304	216	344	256	344	256
Length of motor options	Δ L	mm	82	78	82	78	82	78	82	78
Motor diameter	AC	mm	167	143	167	143	167	143	167	143
Motor/connection distance	AD	mm	117	117	117	117	117	117	146	117

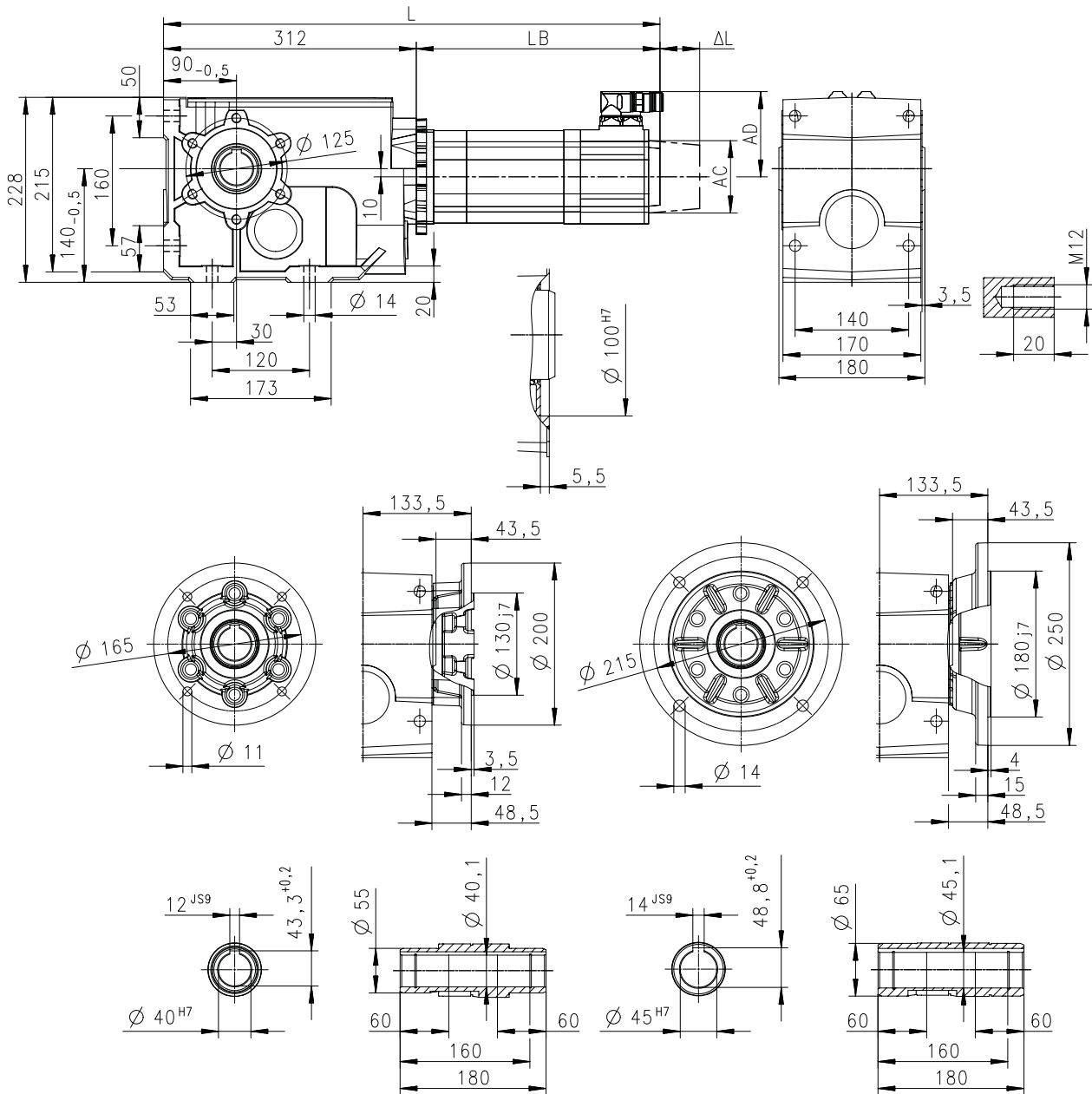


Technical data

Dimensions
Basic dimensions

g500-B820 with MCS14

Gearbox design: hollow shaft, with foot (HAR/HBR/HAK)



8800572-00

Motor			MCS							
			14L14-	14L15-	14L30-	14L32-	14P11-	14P14-	14P26-	14P32-
Cooling type			Forced	Natural	Forced	Natural	Forced	Natural	Forced	Natural
Total length	L	mm	696	608	696	608	736	648	736	648
Motor length	LB	mm	384	296	384	296	424	336	424	336
Length of motor options	Δ L	mm	82	78	82	78	82	78	82	78
Motor diameter	AC	mm	167	143	167	143	167	143	167	143
Motor/connection distance	AD	mm	117	117	146	146	117	117	146	146

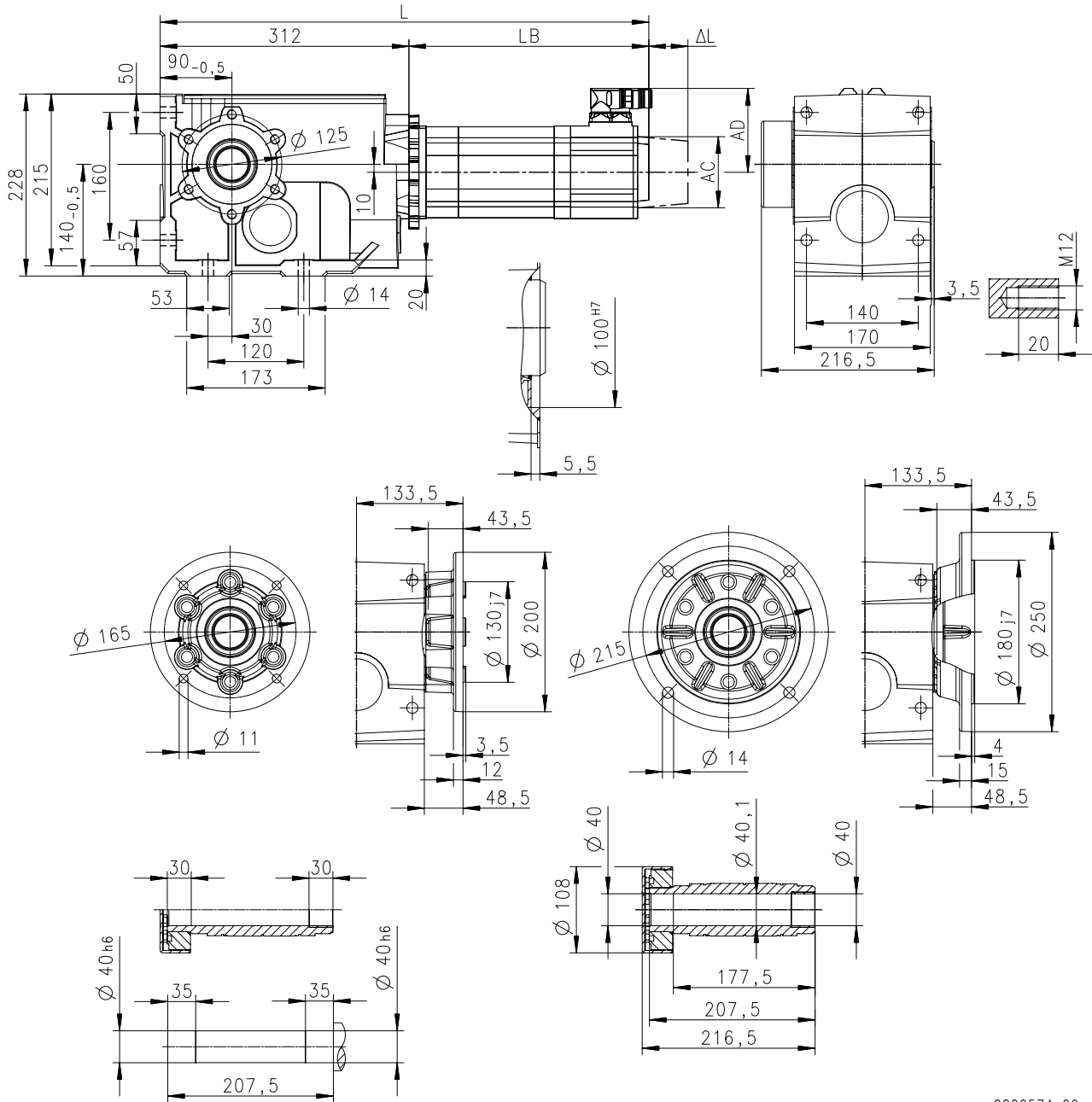
Technical data

Dimensions
Basic dimensions



g500-B820 with MCS14

Gearbox design: Hollow shaft with shrink disc, with foot (SAR/SBR/SAK)



8800574-00

Motor			MCS							
			14D14-	14D15-	14D30-	14D36-	14H12-	14H15-	14H28-	14H32-
Cooling type			Forced	Natural	Forced	Natural	Forced	Natural	Forced	Natural
Total length	L	mm	616	528	616	528	656	568	656	568
Motor length	LB	mm	304	216	304	216	344	256	344	256
Length of motor options	Δ L	mm	82	78	82	78	82	78	82	78
Motor diameter	AC	mm	167	143	167	143	167	143	167	143
Motor/connection distance	AD	mm	117	117	117	117	117	117	146	117

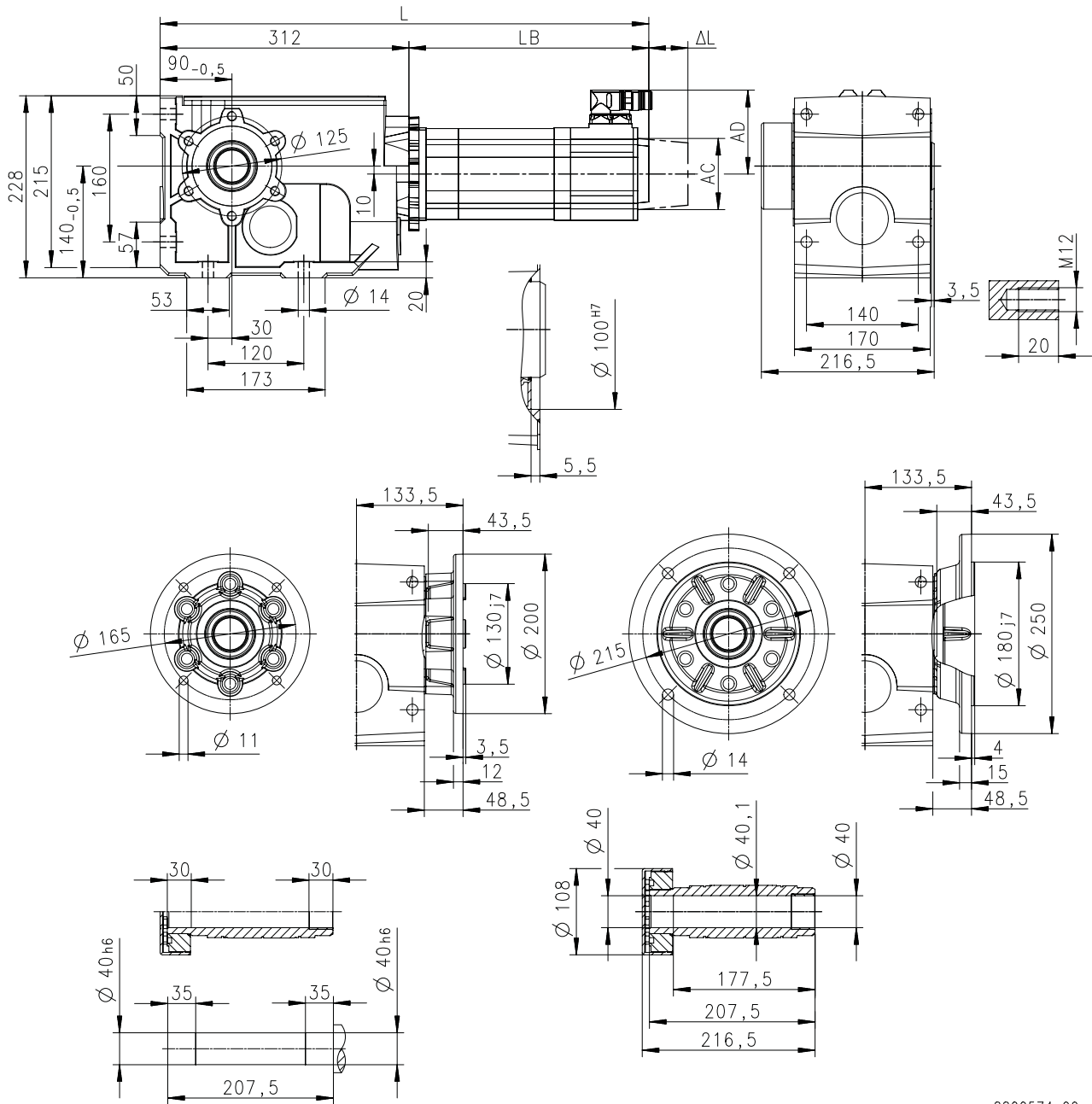


Technical data

Dimensions
Basic dimensions

g500-B820 with MCS14

Gearbox design: Hollow shaft with shrink disc, with foot (SAR/SBR/SAK)



8800574-00

Motor			MCS							
			14L14-	14L15-	14L30-	14L32-	14P11-	14P14-	14P26-	14P32-
Cooling type			Forced	Natural	Forced	Natural	Forced	Natural	Forced	Natural
Total length	L	mm	696	608	696	608	736	648	736	648
Motor length	LB	mm	384	296	384	296	424	336	424	336
Length of motor options	ΔL	mm	82	78	82	78	82	78	82	78
Motor diameter	AC	mm	167	143	167	143	167	143	167	143
Motor/connection distance	AD	mm	117	117	146	146	117	117	146	146

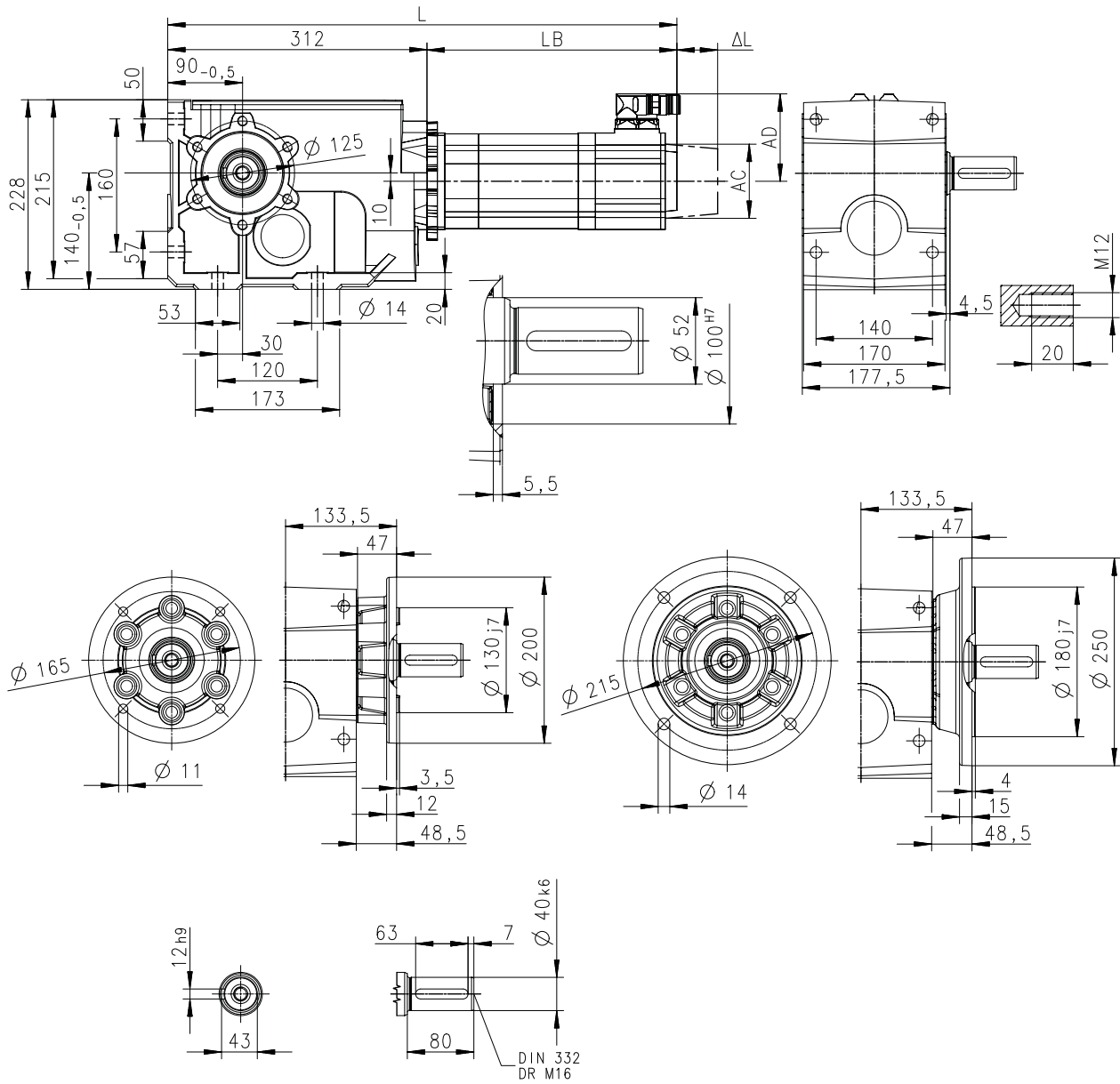
Technical data

Dimensions
Basic dimensions



g500-B820 with MCS14

Gearbox design: solid shaft, with foot (VAR/VBR/VAK)



8800573-00

Motor			MCS							
			14D14-	14D15-	14D30-	14D36-	14H12-	14H15-	14H28-	14H32-
Cooling type			Forced	Natural	Forced	Natural	Forced	Natural	Forced	Natural
Total length	L	mm	616	528	616	528	656	568	656	568
Motor length	LB	mm	304	216	304	216	344	256	344	256
Length of motor options	ΔL	mm	82	78	82	78	82	78	82	78
Motor diameter	AC	mm	167	143	167	143	167	143	167	143
Motor/connection distance	AD	mm	117	117	117	117	117	117	146	117

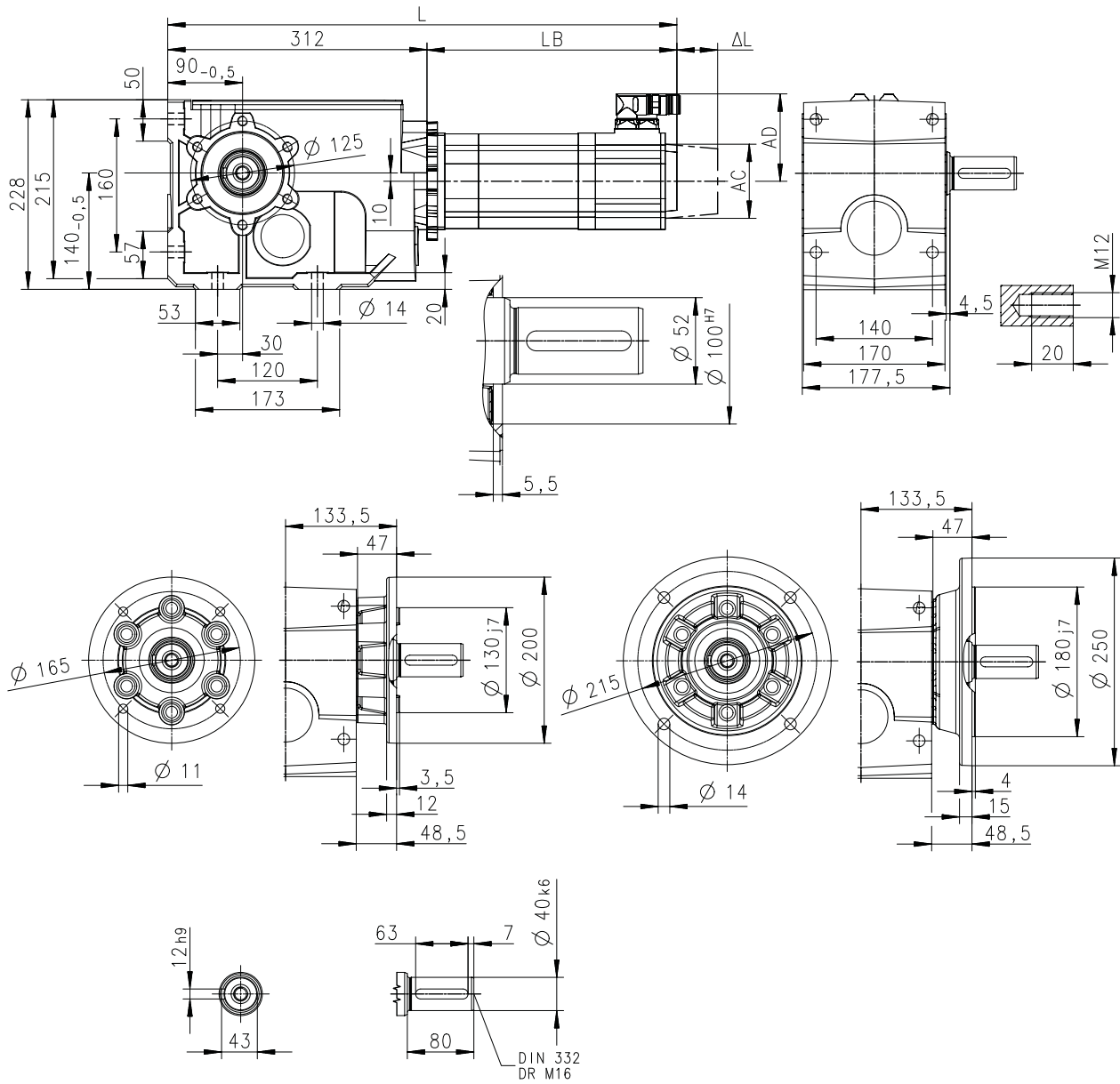


Technical data

Dimensions
Basic dimensions

g500-B820 with MCS14

Gearbox design: solid shaft, with foot (VAR/VBR/VAK)



8800573-00

Motor			MCS							
			14L14-	14L15-	14L30-	14L32-	14P11-	14P14-	14P26-	14P32-
Cooling type			Forced	Natural	Forced	Natural	Forced	Natural	Forced	Natural
Total length	L	mm	696	608	696	608	736	648	736	648
Motor length	LB	mm	384	296	384	296	424	336	424	336
Length of motor options	ΔL	mm	82	78	82	78	82	78	82	78
Motor diameter	AC	mm	167	143	167	143	167	143	167	143
Motor/connection distance	AD	mm	117	117	146	146	117	117	146	146

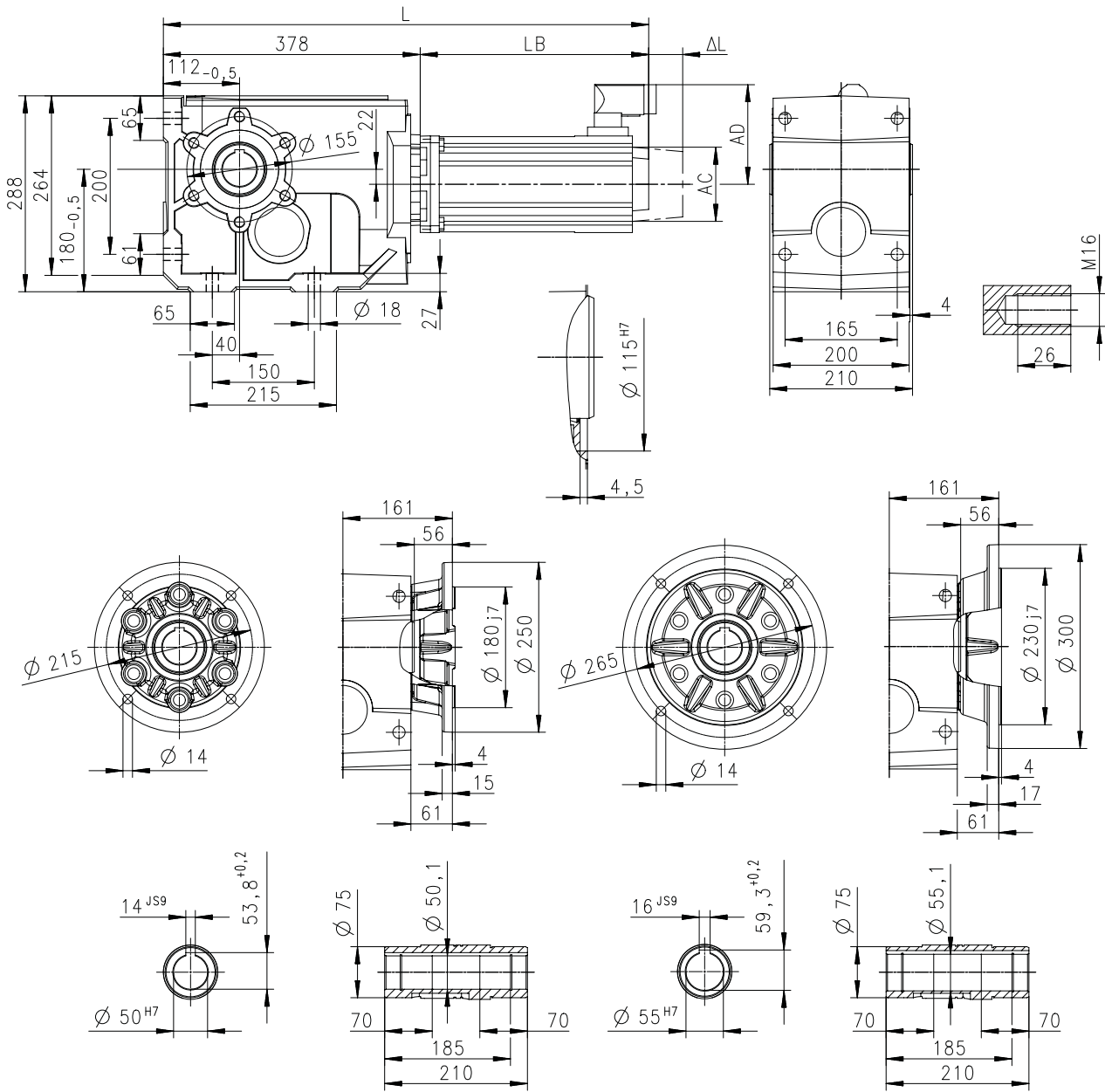
Technical data

Dimensions
Basic dimensions



g500-B1500 with MCS09

Gearbox design: hollow shaft, with foot (HAR/HBR/HAK)



8800575-00

Motor			MCS			
			09D41- 09D41L	09F38- 09F38L	09H41- 09H41L	09L41- 09L41L
Cooling type			Natural	Natural	Natural	Natural
Total length	L	mm	562	582	602	642
Motor length	LB	mm	184	204	224	264
Length of motor options	Δ L	mm	71			
Motor diameter	AC	mm	89			
Motor/connection distance	AD	mm	90			

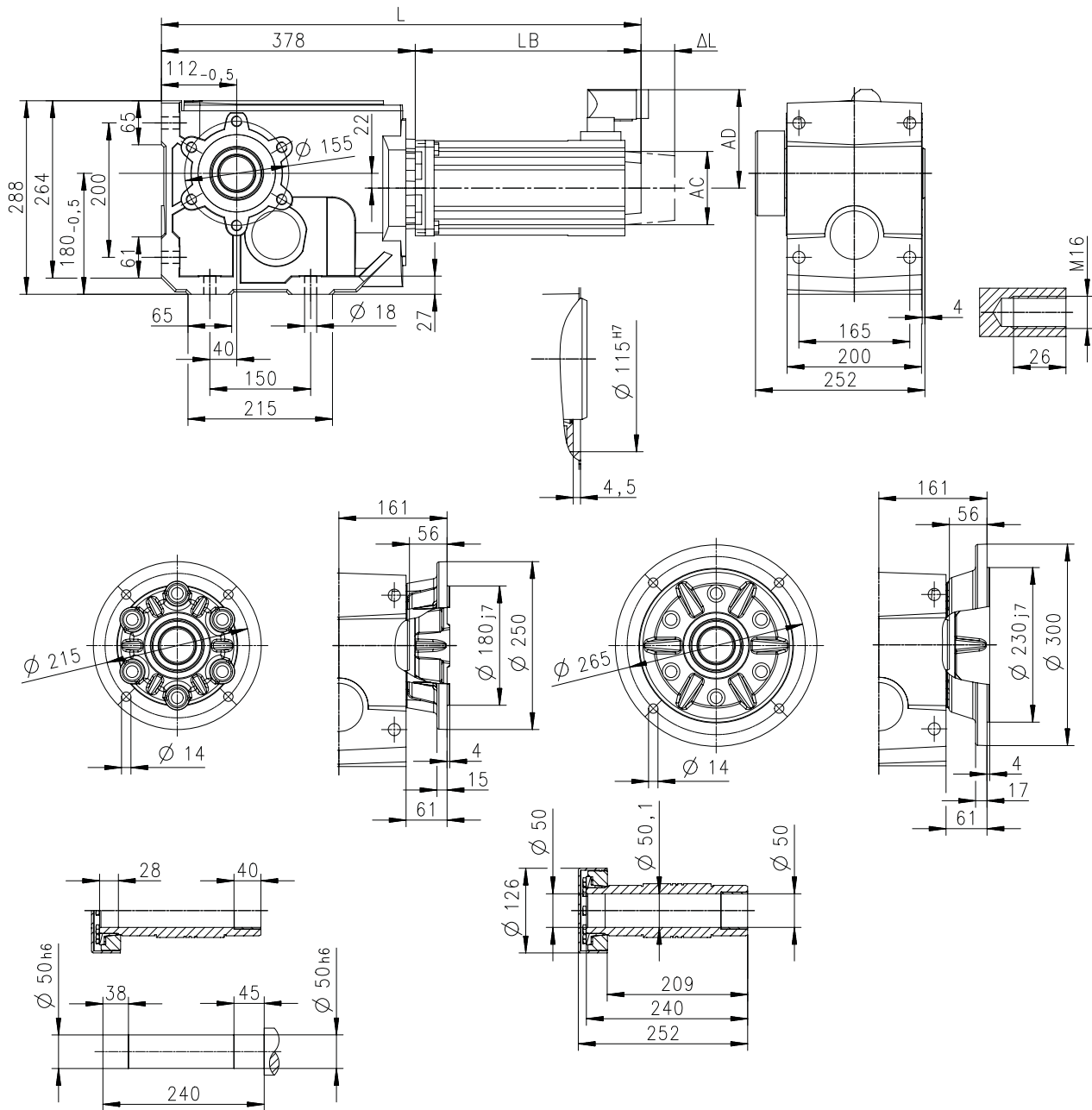


Technical data

Dimensions
Basic dimensions

g500-B1500 with MCS09

Gearbox design: Hollow shaft with shrink disc, with foot (SAR/SBR/SAK)



8800577-00

Motor			MCS			
			09D41-09D41L	09F38-09F38L	09H41-09H41L	09L41-09L41L
Cooling type			Natural	Natural	Natural	Natural
Total length	L	mm	562	582	602	642
Motor length	LB	mm	184	204	224	264
Length of motor options	ΔL	mm	71			
Motor diameter	AC	mm	89			
Motor/connection distance	AD	mm	90			

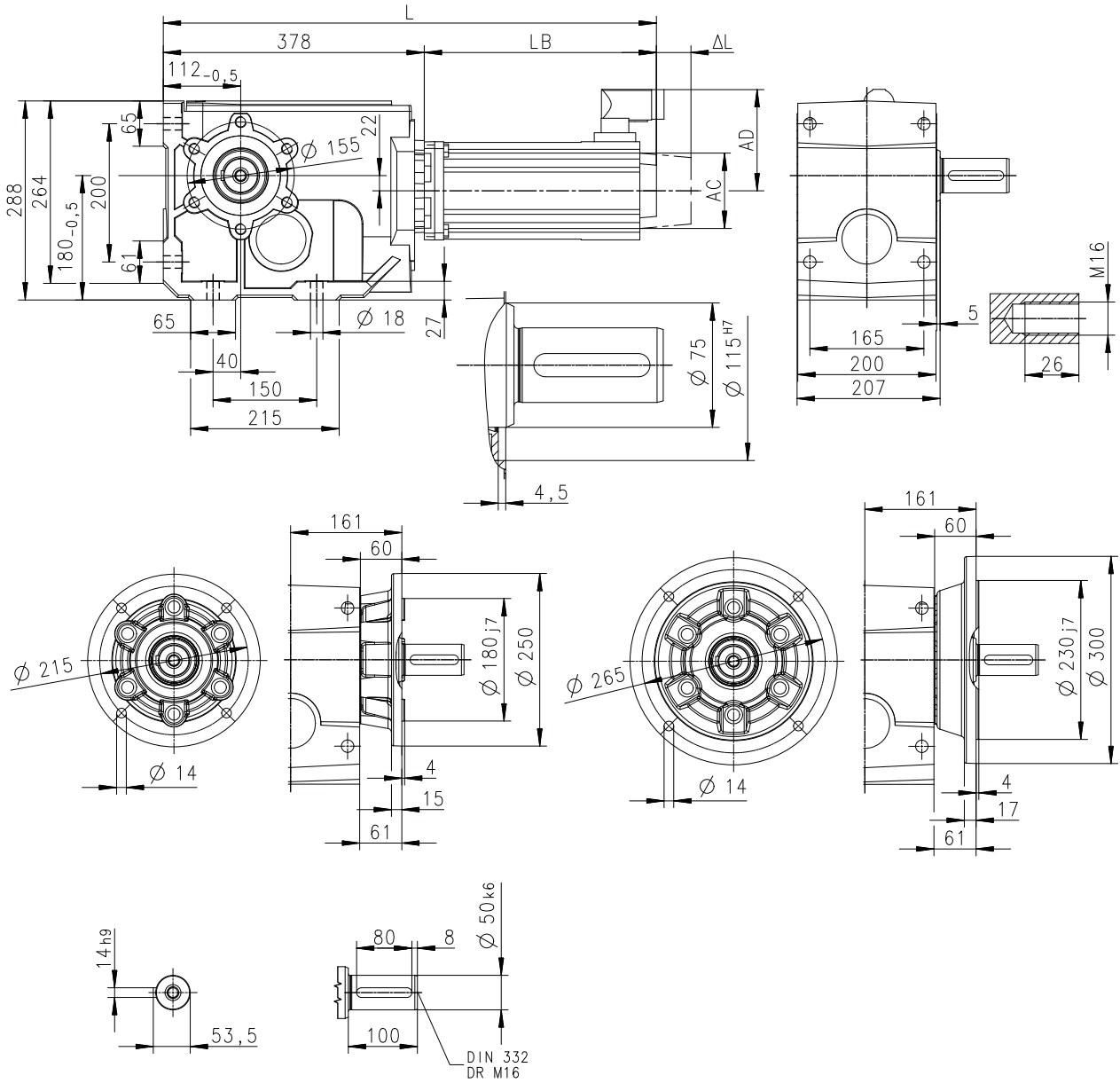
Technical data

Dimensions
Basic dimensions



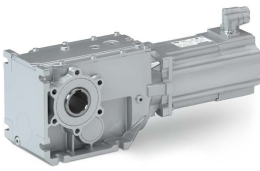
g500-B1500 with MCS09

Gearbox design: solid shaft, with foot (VAR/VBR/VAK)



8800576-00

Motor			MCS			
			09D41-09D41L	09F38-09F38L	09H41-09H41L	09L41-09L41L
Cooling type			Natural	Natural	Natural	Natural
Total length	L	mm	562	582	602	642
Motor length	LB	mm	184	204	224	264
Length of motor options	ΔL	mm	71			
Motor diameter	AC	mm	89			
Motor/connection distance	AD	mm	90			

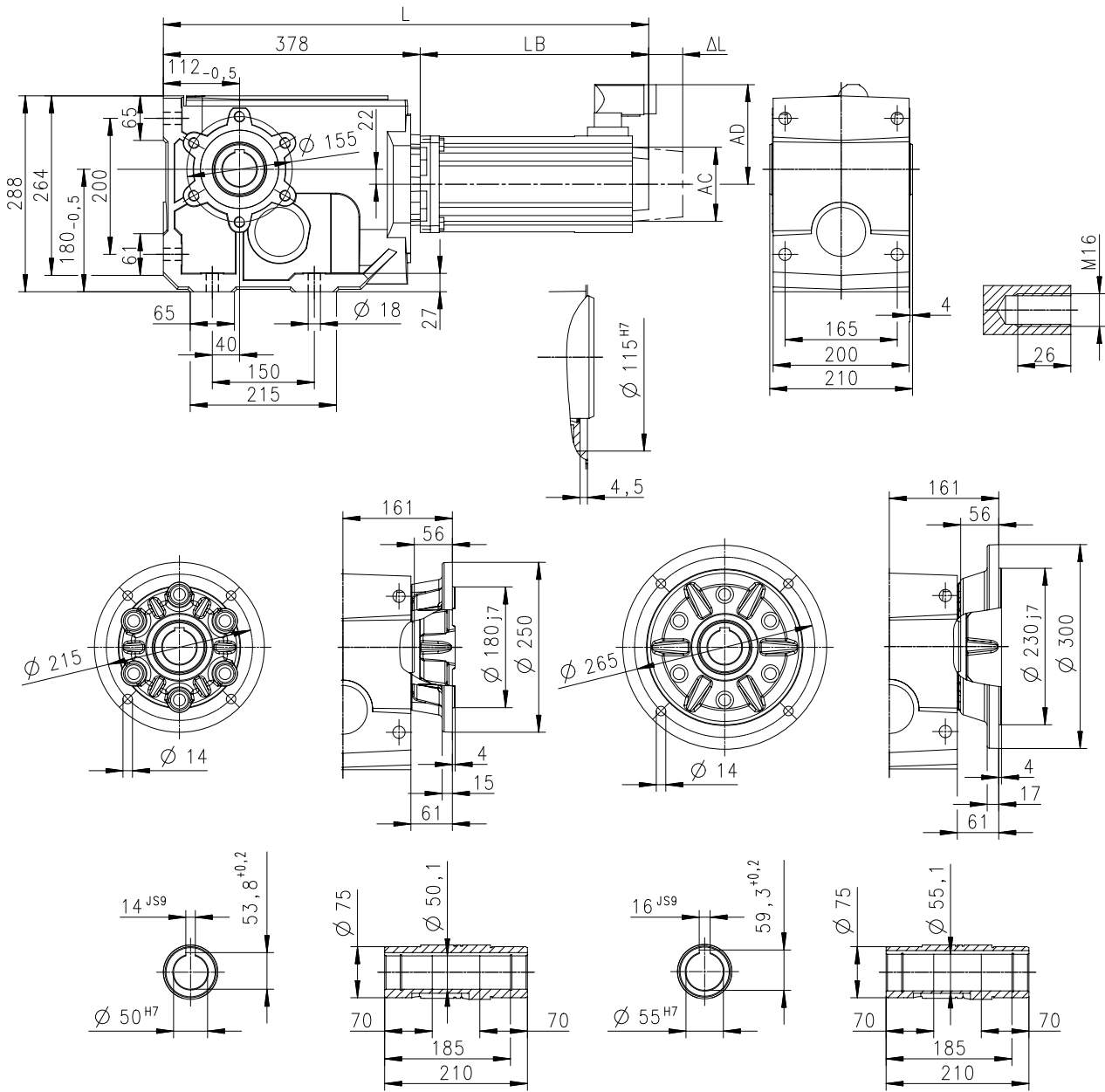


Technical data

Dimensions
Basic dimensions

g500-B1500 with MCS12

Gearbox design: hollow shaft, with foot (HAR/HBR/HAK)

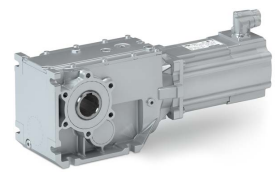


8800575-00

Motor			MCS					
			12D17-	12D20- 12D20L	12D35-	12D41- 12D41L	12H14-	12H15- 12H15L
Cooling type			Forced	Natural	Forced	Natural	Forced	Natural
Total length	L	mm	652	579	652	579	692	619
Motor length	LB	mm	274	201	274	201	314	241
Length of motor options	Δ L	mm	63	69	63	69	63	69
Motor diameter	AC	mm	140	116	140	116	140	116
Motor/connection distance	AD	mm	105	105	105	105	105	105

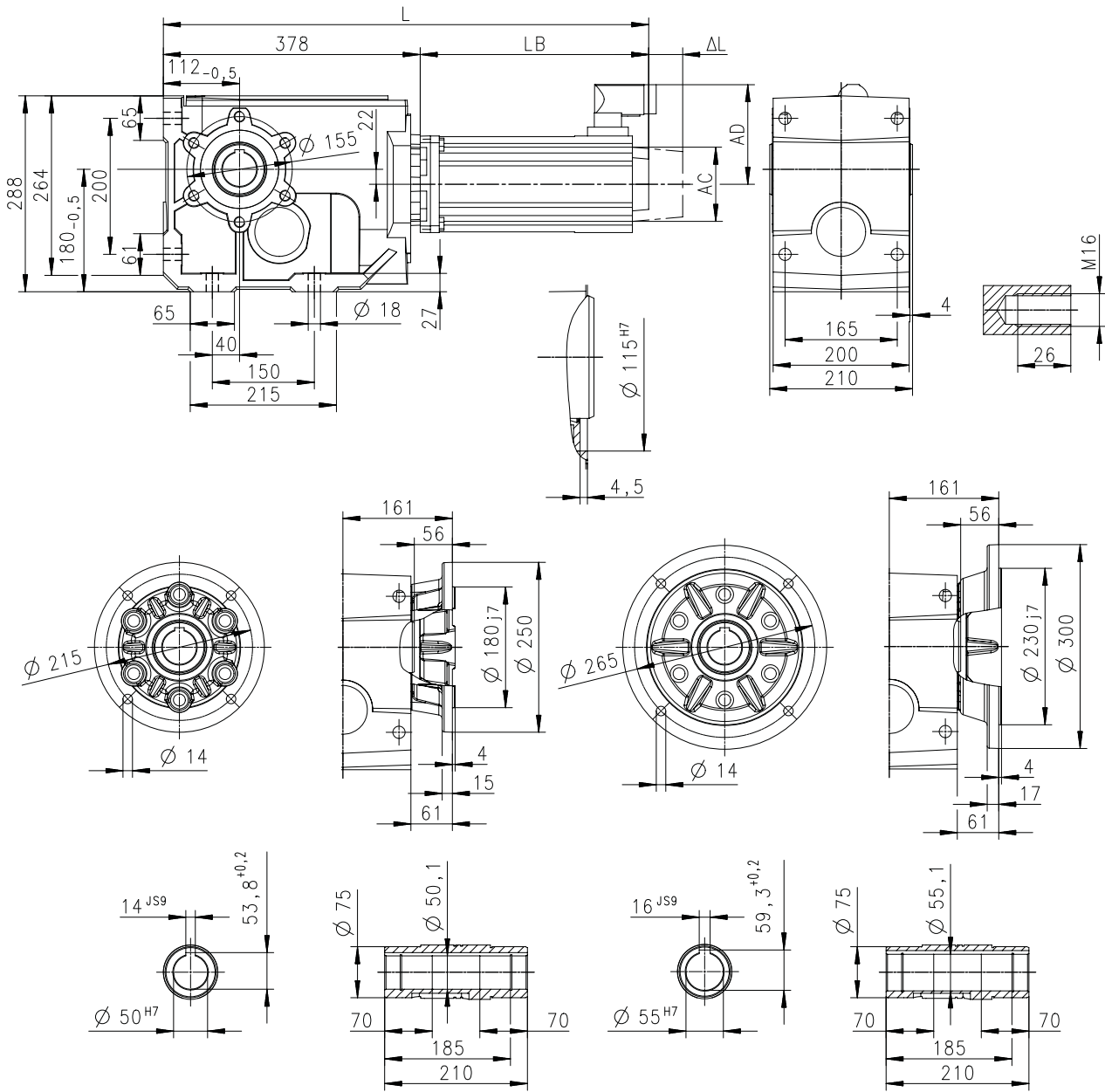
Technical data

Dimensions
Basic dimensions



g500-B1500 with MCS12

Gearbox design: hollow shaft, with foot (HAR/HBR/HAK)



8800575-00

Motor			MCS					
			12H34-	12H35- 12H30L	12L17-	12L20- 12L20L	12L39-	12L41- 12L41L
Cooling type			Forced	Natural	Forced	Natural	Forced	Natural
Total length	L	mm	692	619	732	659	732	659
Motor length	LB	mm	314	241	354	281	354	281
Length of motor options	ΔL	mm	63	69	63	69	63	69
Motor diameter	AC	mm	140	116	140	116	140	116
Motor/connection distance	AD	mm	105	105	105	105	105	105

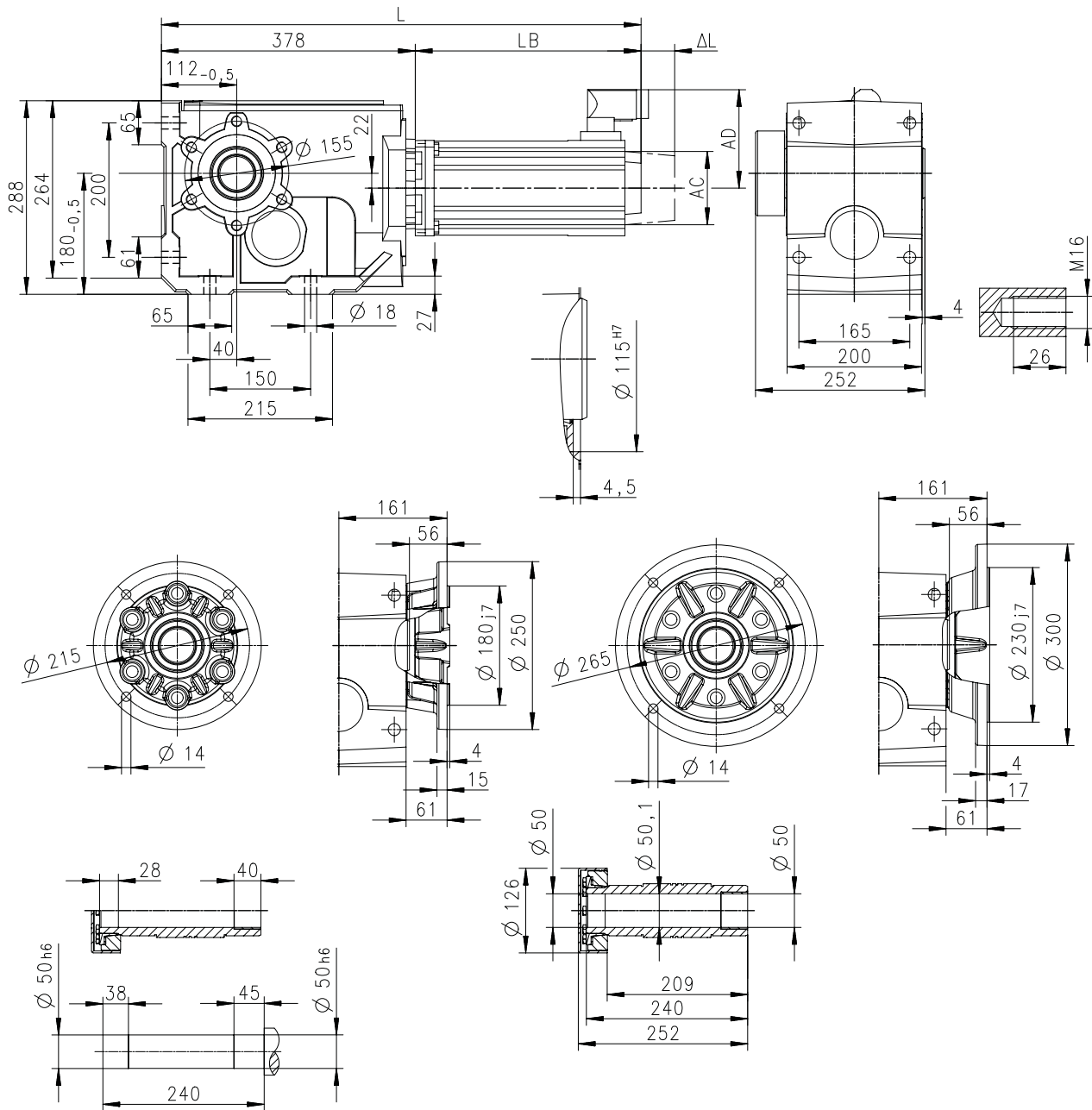


Technical data

Dimensions
Basic dimensions

g500-B1500 with MCS12

Gearbox design: Hollow shaft with shrink disc, with foot (SAR/SBR/SAK)



8800577-00

Motor			MCS					
			12D17-	12D20- 12D20L	12D35-	12D41- 12D41L	12H14-	12H15- 12H15L
Cooling type			Forced	Natural	Forced	Natural	Forced	Natural
Total length	L	mm	652	579	652	579	692	619
Motor length	LB	mm	274	201	274	201	314	241
Length of motor options	ΔL	mm	63	69	63	69	63	69
Motor diameter	AC	mm	140	116	140	116	140	116
Motor/connection distance	AD	mm	105	105	105	105	105	105

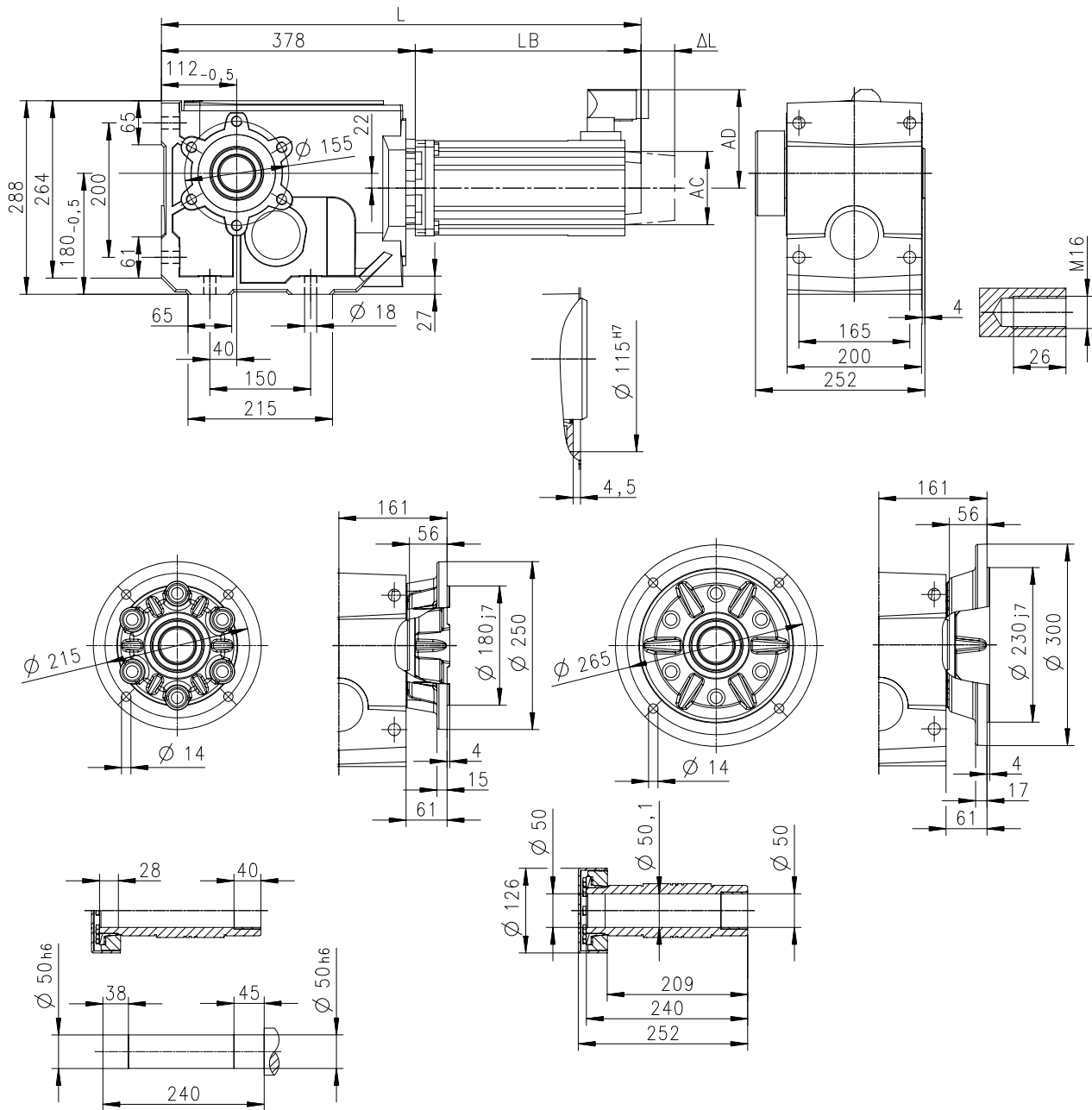
Technical data

Dimensions
Basic dimensions



g500-B1500 with MCS12

Gearbox design: Hollow shaft with shrink disc, with foot (SAR/SBR/SAK)



8800577-00

Motor			MCS					
			12H34-	12H35- 12H30L	12L17-	12L20- 12L20L	12L39-	12L41- 12L41L
Cooling type			Forced	Natural	Forced	Natural	Forced	Natural
Total length	L	mm	692	619	732	659	732	659
Motor length	LB	mm	314	241	354	281	354	281
Length of motor options	Δ L	mm	63	69	63	69	63	69
Motor diameter	AC	mm	140	116	140	116	140	116
Motor/connection distance	AD	mm	105	105	105	105	105	105

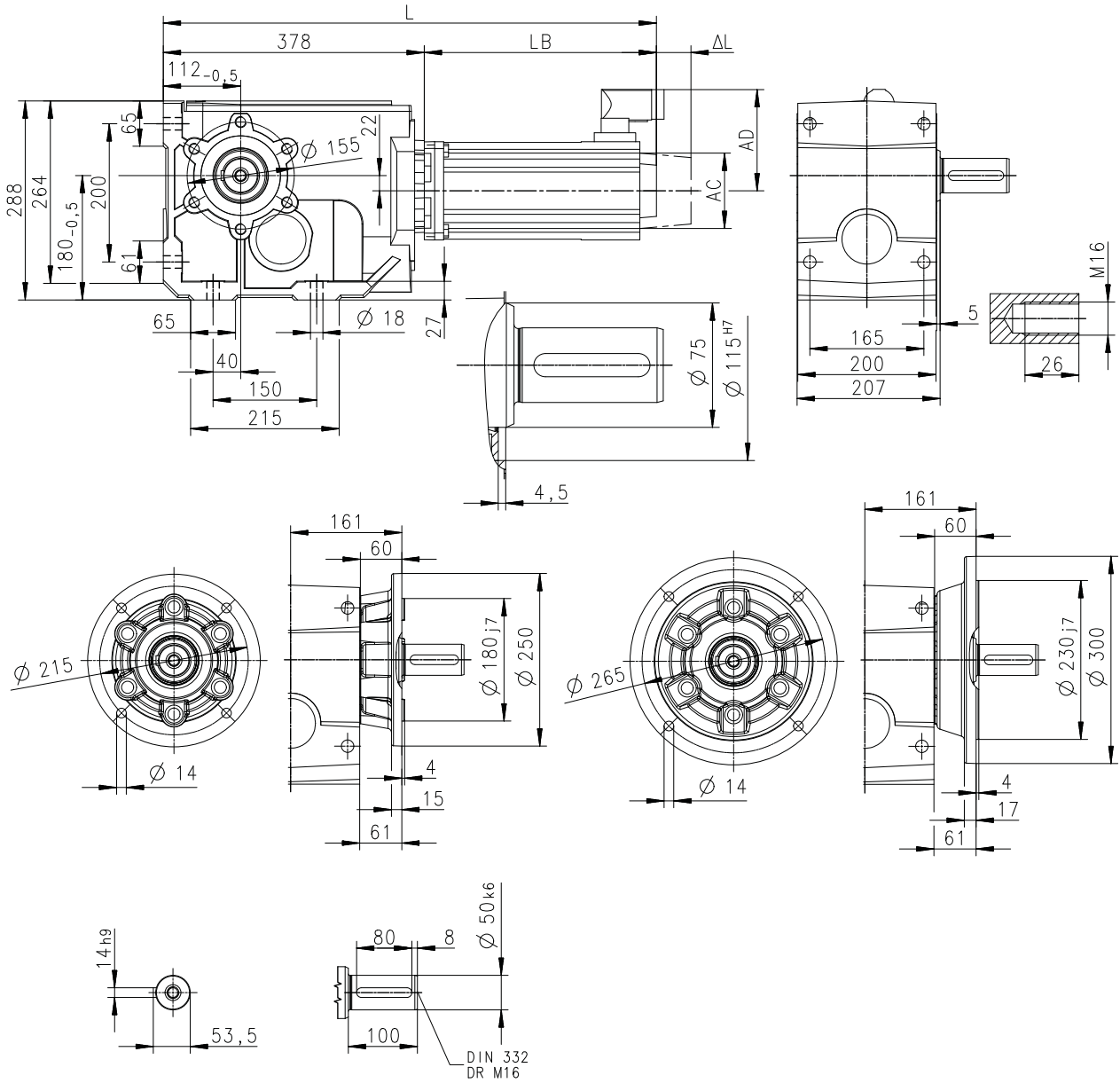


Technical data

Dimensions
Basic dimensions

g500-B1500 with MCS12

Gearbox design: solid shaft, with foot (VAR/VBR/VAK)



8800576-00

Motor			MCS					
			12D17-	12D20- 12D20L	12D35-	12D41- 12D41L	12H14-	12H15- 12H15L
Cooling type			Forced	Natural	Forced	Natural	Forced	Natural
Total length	L	mm	652	579	652	579	692	619
Motor length	LB	mm	274	201	274	201	314	241
Length of motor options	ΔL	mm	63	69	63	69	63	69
Motor diameter	AC	mm	140	116	140	116	140	116
Motor/connection distance	AD	mm	105	105	105	105	105	105

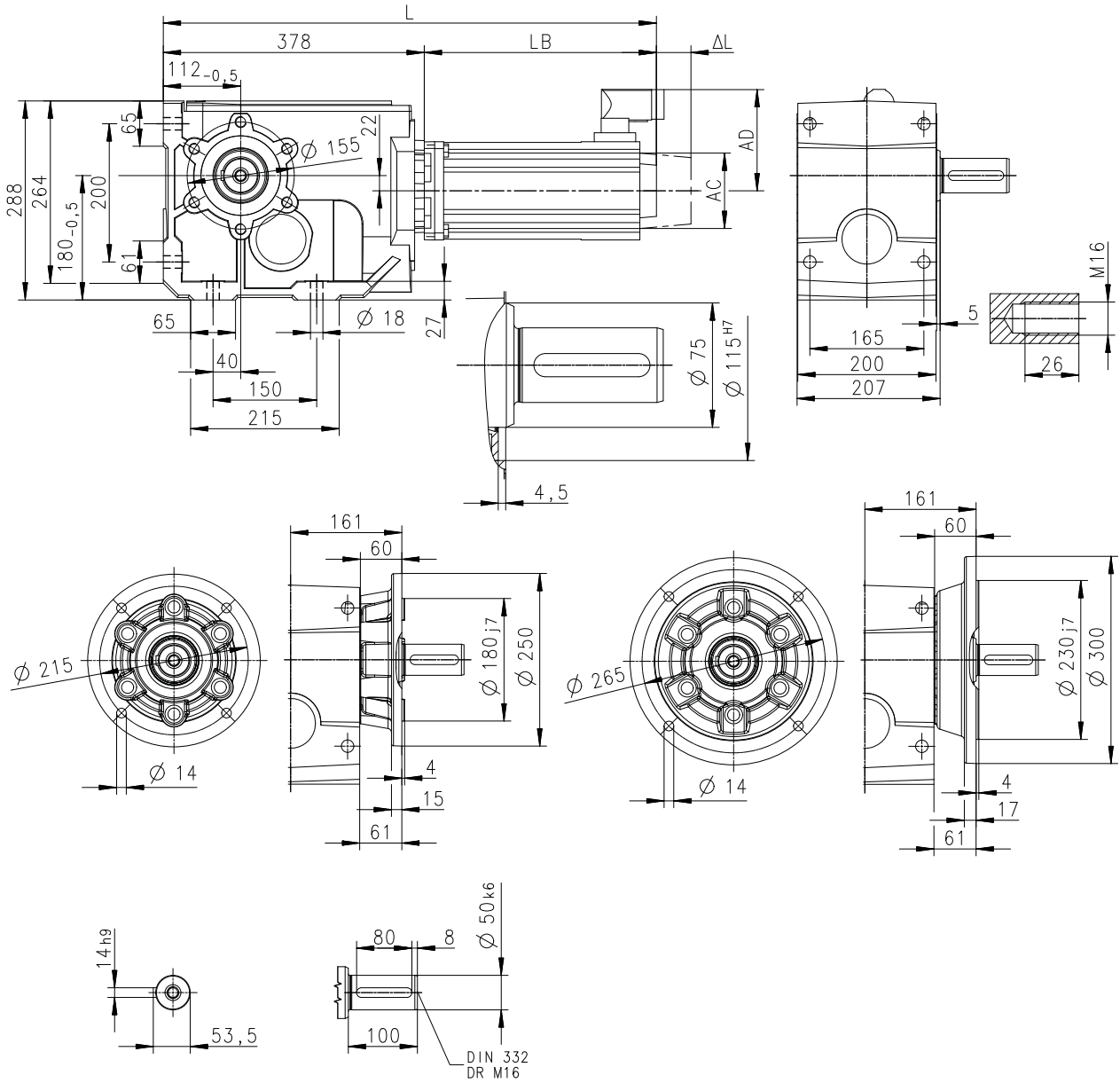
Technical data

Dimensions
Basic dimensions



g500-B1500 with MCS12

Gearbox design: solid shaft, with foot (VAR/VBR/VAK)



8800576-00

Motor			MCS					
			12H34-	12H35- 12H30L	12L17-	12L20- 12L20L	12L39-	12L41- 12L41L
Cooling type			Forced	Natural	Forced	Natural	Forced	Natural
Total length	L	mm	692	619	732	659	732	659
Motor length	LB	mm	314	241	354	281	354	281
Length of motor options	ΔL	mm	63	69	63	69	63	69
Motor diameter	AC	mm	140	116	140	116	140	116
Motor/connection distance	AD	mm	105	105	105	105	105	105

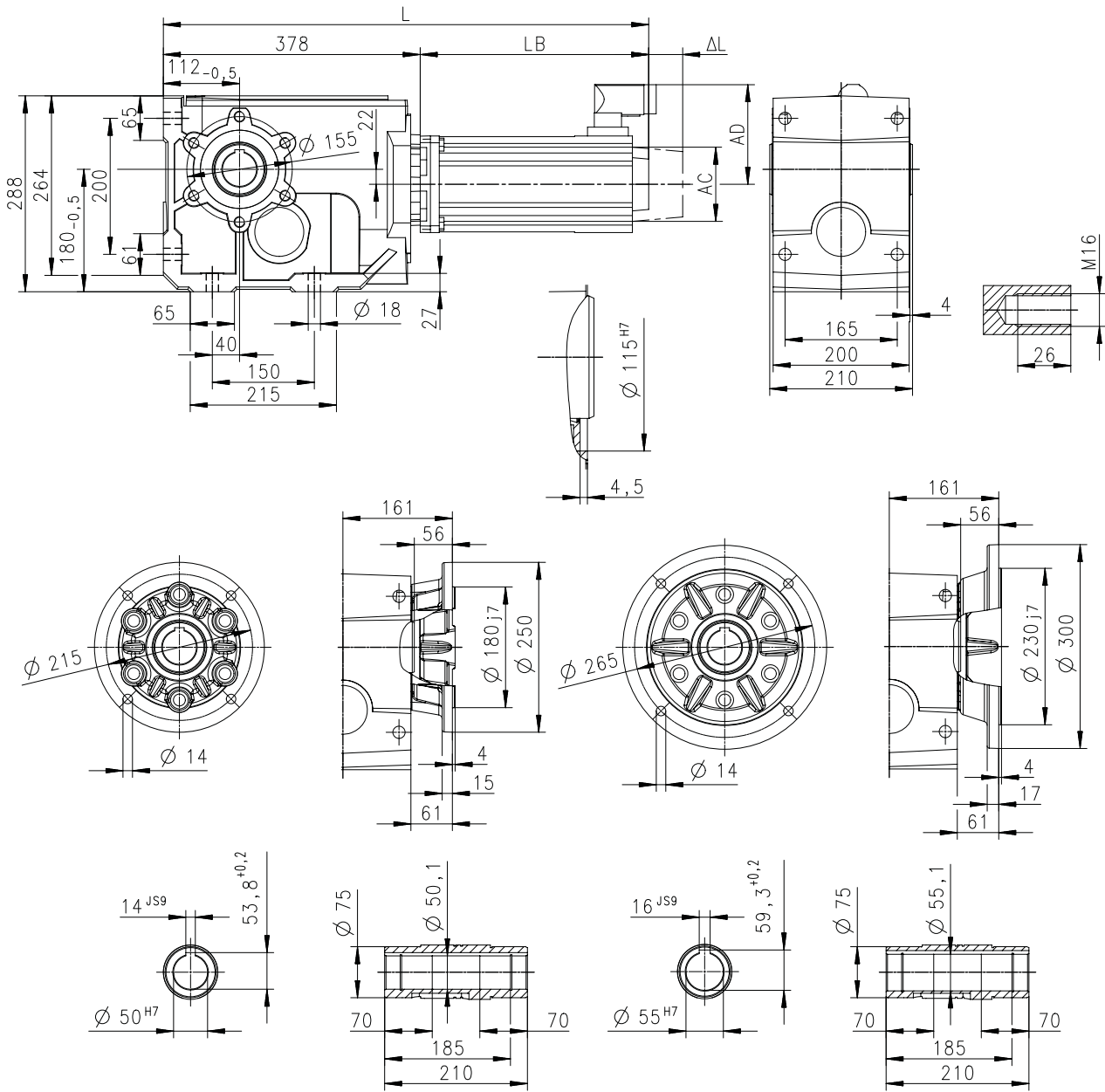


Technical data

Dimensions
Basic dimensions

g500-B1500 with MCS14

Gearbox design: hollow shaft, with foot (HAR/HBR/HAK)



8800575-00

Motor			MCS							
			14D14-	14D15-	14D30-	14D36-	14H12-	14H15-	14H28-	14H32-
Cooling type			Forced	Natural	Forced	Natural	Forced	Natural	Forced	Natural
Total length	L	mm	682	594	682	594	722	634	722	634
Motor length	LB	mm	304	216	304	216	344	256	344	256
Length of motor options	Δ L	mm	82	78	82	78	82	78	82	78
Motor diameter	AC	mm	167	143	167	143	167	143	167	143
Motor/connection distance	AD	mm	117	117	117	117	117	117	146	117

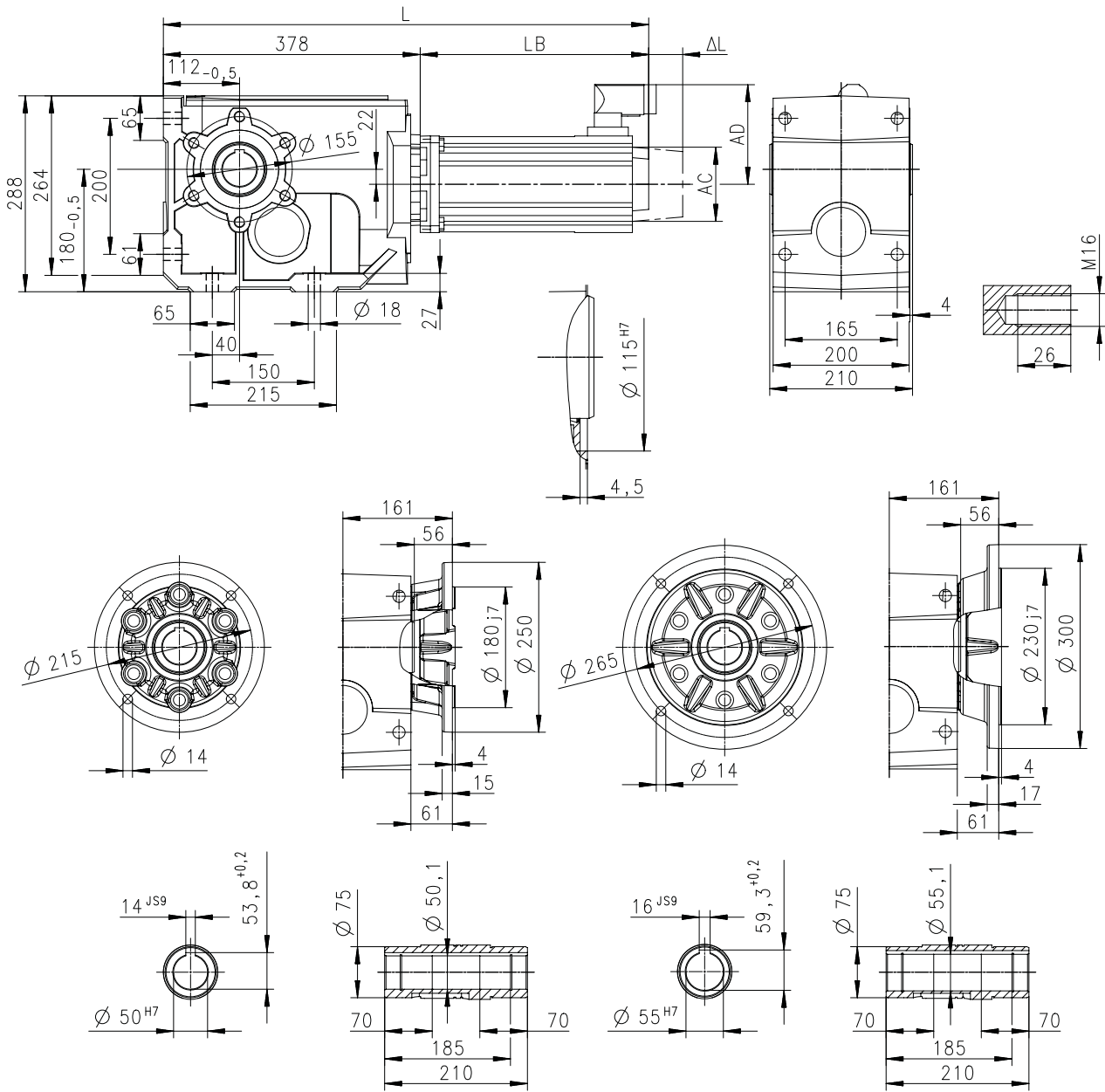
Technical data

Dimensions
Basic dimensions



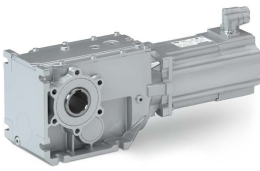
g500-B1500 with MCS14

Gearbox design: hollow shaft, with foot (HAR/HBR/HAK)



8800575-00

Motor			MCS							
			14L14-	14L15-	14L30-	14L32-	14P11-	14P14-	14P26-	14P32-
Cooling type			Forced	Natural	Forced	Natural	Forced	Natural	Forced	Natural
Total length	L	mm	762	674	762	674	802	714	802	714
Motor length	LB	mm	384	296	384	296	424	336	424	336
Length of motor options	Δ L	mm	82	78	82	78	82	78	82	78
Motor diameter	AC	mm	167	143	167	143	167	143	167	143
Motor/connection distance	AD	mm	117	117	146	146	117	117	146	146

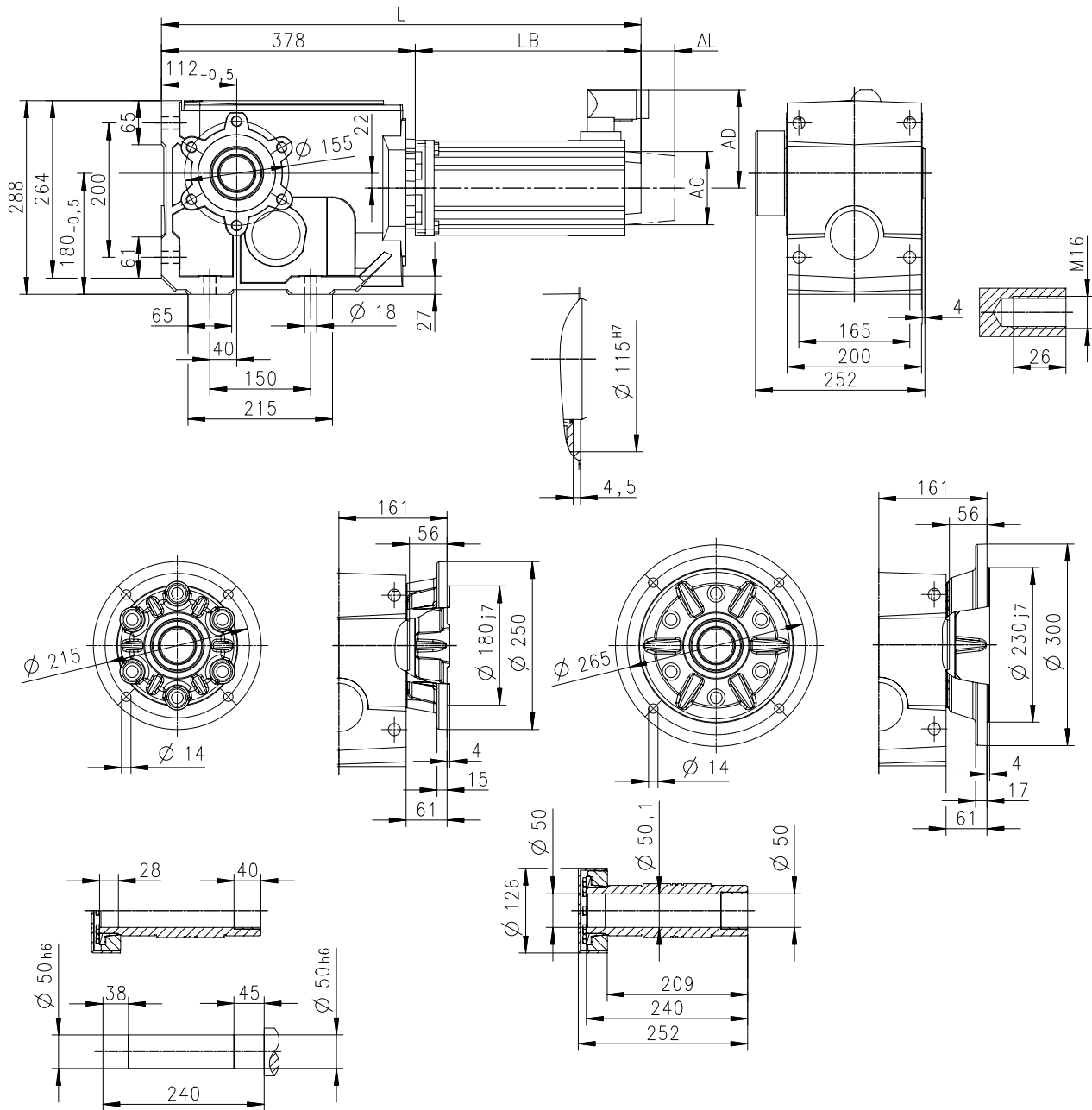


Technical data

Dimensions
Basic dimensions

g500-B1500 with MCS14

Gearbox design: Hollow shaft with shrink disc, with foot (SAR/SBR/SAK)



8800577-00

Motor			MCS							
			14D14-	14D15-	14D30-	14D36-	14H12-	14H15-	14H28-	14H32-
Cooling type			Forced	Natural	Forced	Natural	Forced	Natural	Forced	Natural
Total length	L	mm	682	594	682	594	722	634	722	634
Motor length	LB	mm	304	216	304	216	344	256	344	256
Length of motor options	Δ L	mm	82	78	82	78	82	78	82	78
Motor diameter	AC	mm	167	143	167	143	167	143	167	143
Motor/connection distance	AD	mm	117	117	117	117	117	117	146	117

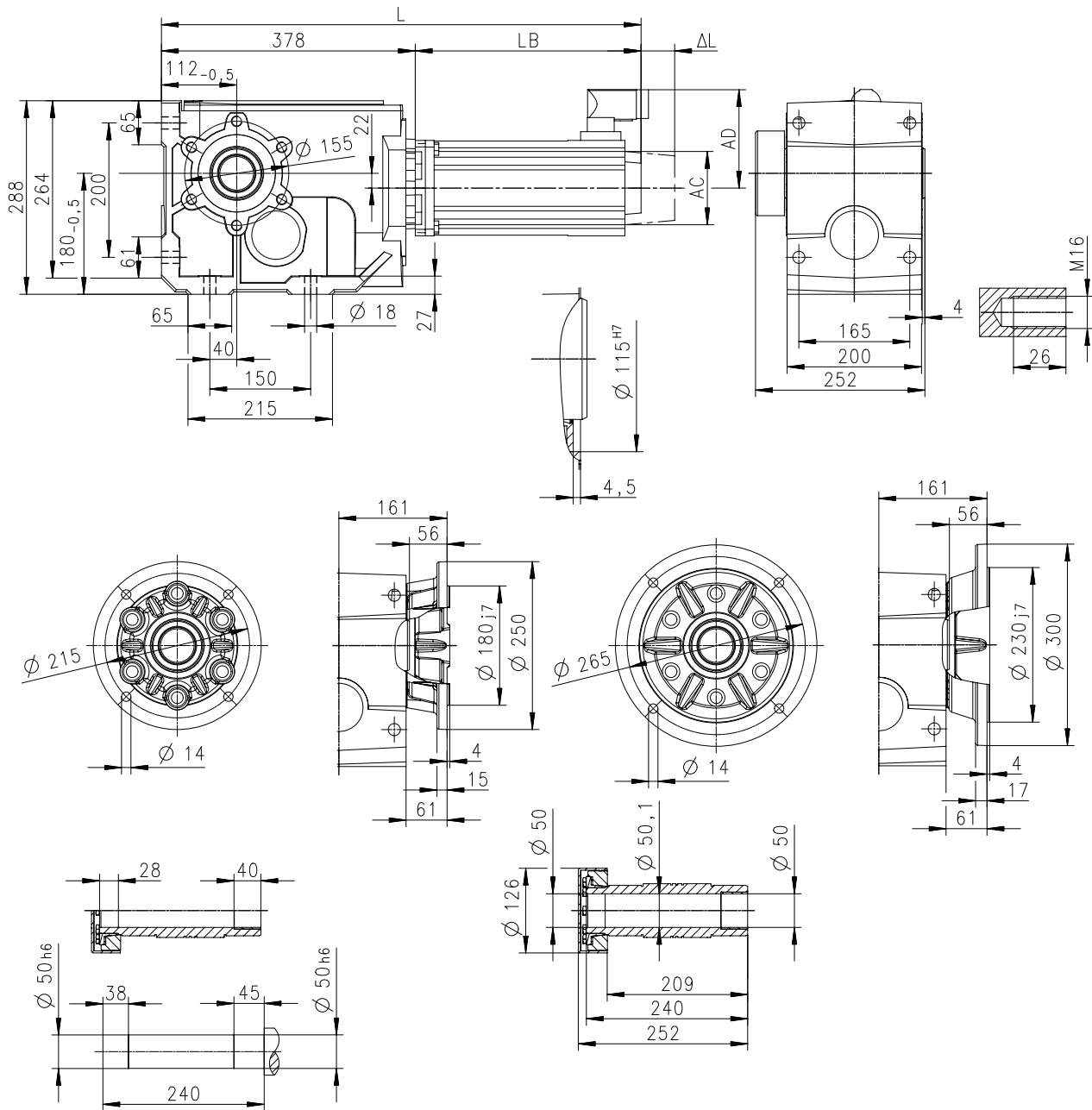
Technical data

Dimensions
Basic dimensions



g500-B1500 with MCS14

Gearbox design: Hollow shaft with shrink disc, with foot (SAR/SBR/SAK)



8800577-00

Motor			MCS							
			14L14-	14L15-	14L30-	14L32-	14P11-	14P14-	14P26-	14P32-
Cooling type			Forced	Natural	Forced	Natural	Forced	Natural	Forced	Natural
Total length	L	mm	762	674	762	674	802	714	802	714
Motor length	LB	mm	384	296	384	296	424	336	424	336
Length of motor options	ΔL	mm	82	78	82	78	82	78	82	78
Motor diameter	AC	mm	167	143	167	143	167	143	167	143
Motor/connection distance	AD	mm	117	117	146	146	117	117	146	146

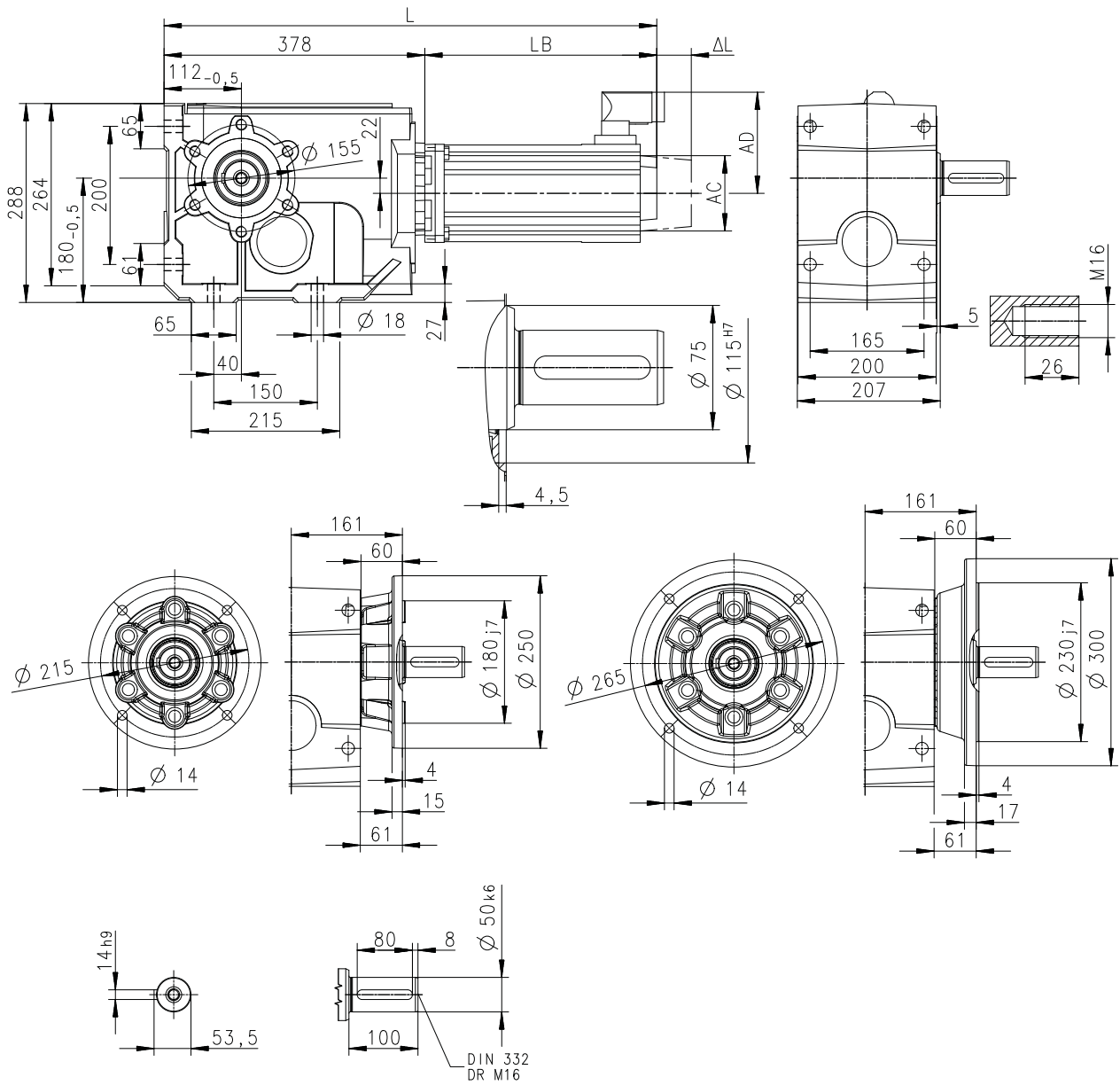


Technical data

Dimensions
Basic dimensions

g500-B1500 with MCS14

Gearbox design: solid shaft, with foot (VAR/VBR/VAK)



8800576-00

Motor			MCS							
			14D14-	14D15-	14D30-	14D36-	14H12-	14H15-	14H28-	14H32-
Cooling type			Forced	Natural	Forced	Natural	Forced	Natural	Forced	Natural
Total length	L	mm	682	594	682	594	722	634	722	634
Motor length	LB	mm	304	216	304	216	344	256	344	256
Length of motor options	ΔL	mm	82	78	82	78	82	78	82	78
Motor diameter	AC	mm	167	143	167	143	167	143	167	143
Motor/connection distance	AD	mm	117	117	117	117	117	117	146	117

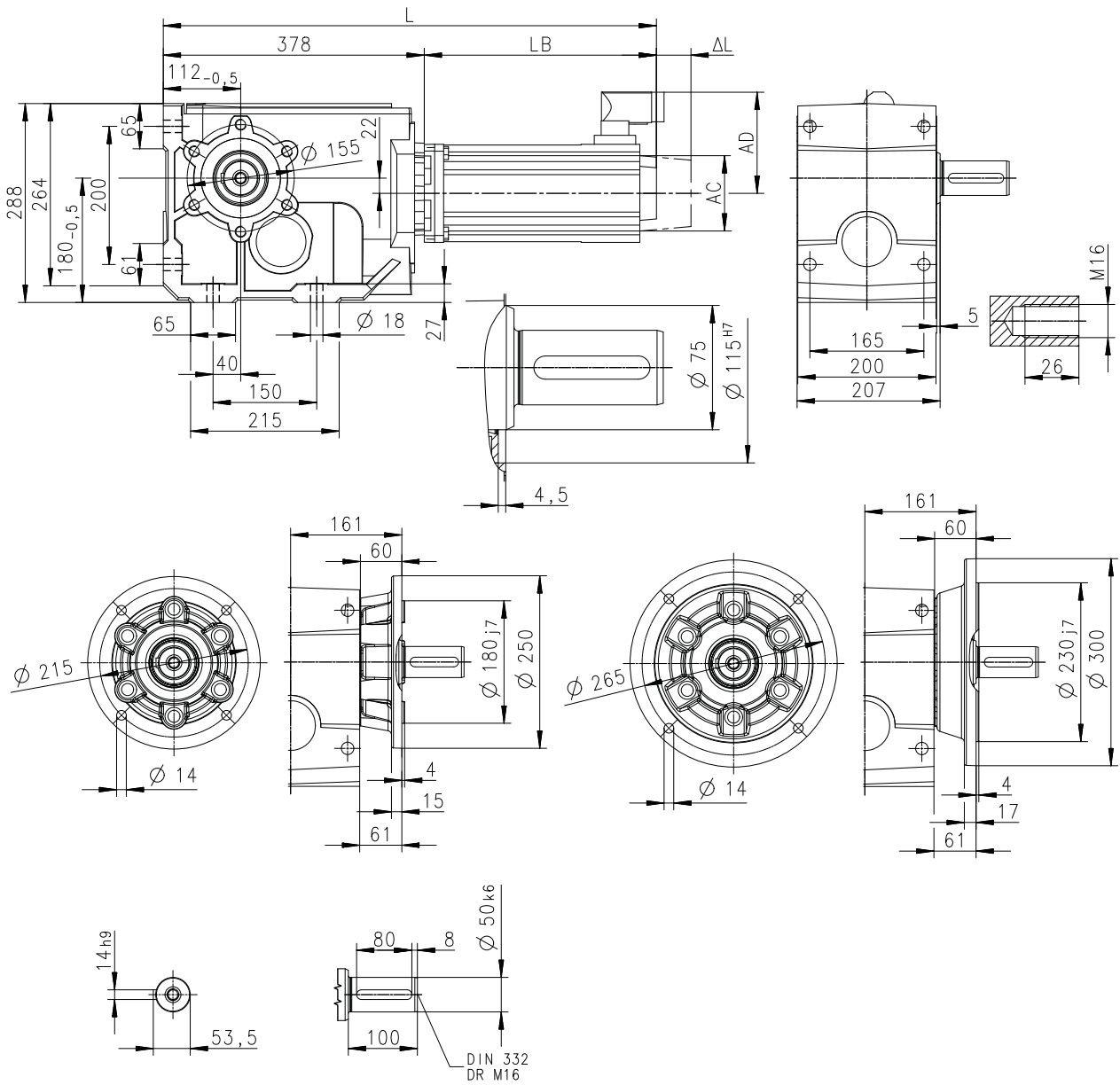
Technical data

Dimensions
Basic dimensions



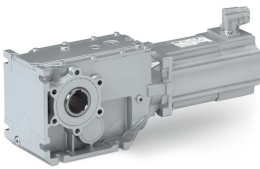
g500-B1500 with MCS14

Gearbox design: solid shaft, with foot (VAR/VBR/VAK)



8800576-00

Motor			MCS							
			14L14-	14L15-	14L30-	14L32-	14P11-	14P14-	14P26-	14P32-
Cooling type			Forced	Natural	Forced	Natural	Forced	Natural	Forced	Natural
Total length	L	mm	762	674	762	674	802	714	802	714
Motor length	LB	mm	384	296	384	296	424	336	424	336
Length of motor options	ΔL	mm	82	78	82	78	82	78	82	78
Motor diameter	AC	mm	167	143	167	143	167	143	167	143
Motor/connection distance	AD	mm	117	117	146	146	117	117	146	146

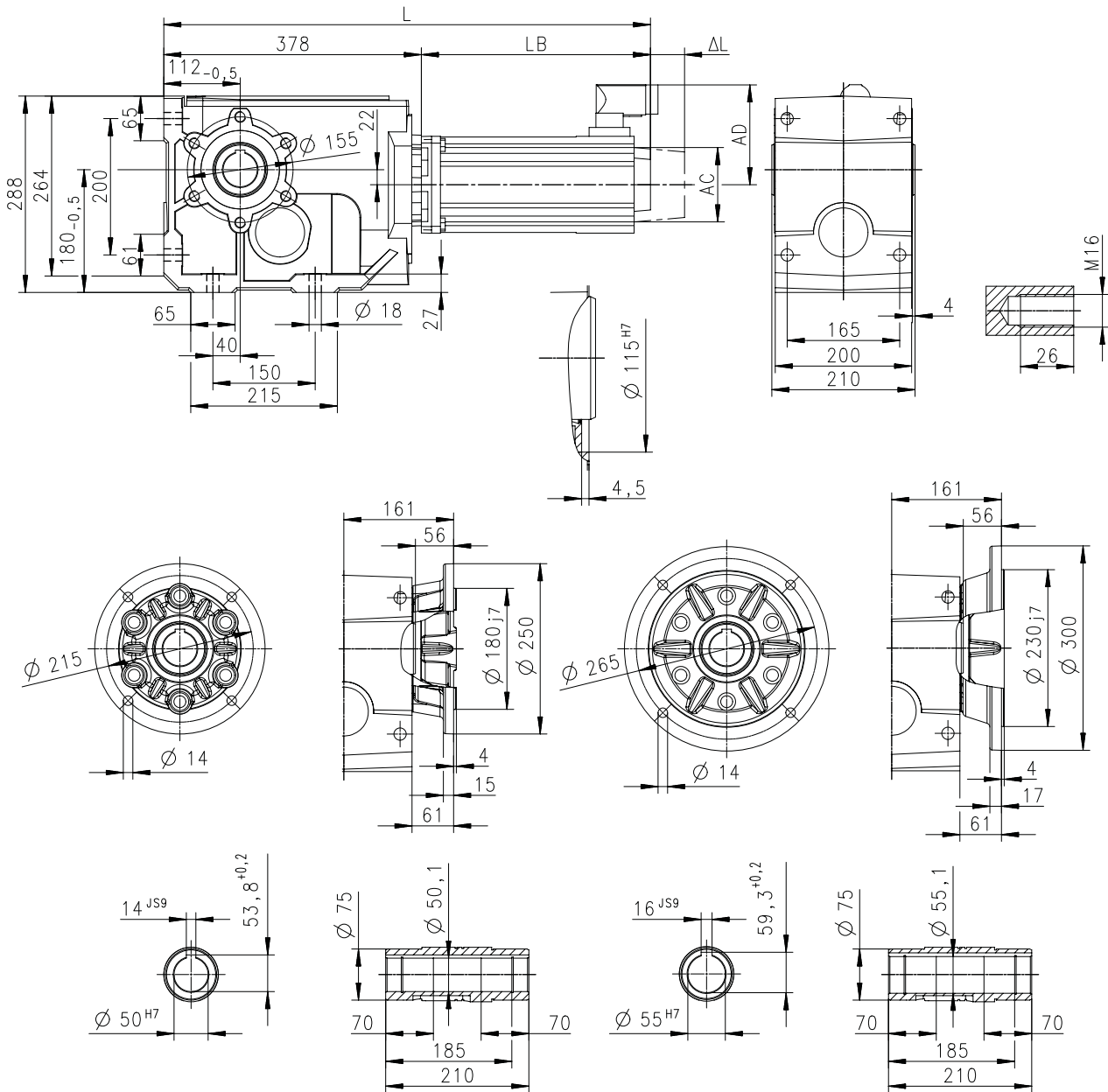


Technical data

Dimensions
Basic dimensions

g500-B1500 with MCS19

Gearbox design: hollow shaft, with foot (HAR/HBR/HAK)

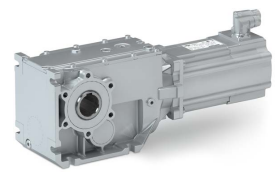


8800575-00

Motor			MCS									
			19F12-	19F14-	19F29-	19F30-	19J14-	19J29-	19J30-	19P14-	19P29-	19P30-
Cooling type			Forced	Natural	Forced	Natural	Natural	Forced	Natural	Natural	Forced	Natural
Total length	L	mm	740	633	740	633	673	780	673	733	780	733
Motor length	LB	mm	362	255	362	255	295	402	295	355	402	355
Length of motor options	ΔL	mm	72	93	72	93	93	72	93	93	72	93
Motor diameter	AC	mm	212	192	212	192	192	212	192	192	212	192
Motor/connection distance	AD	mm	142	142	171	171	142	171	171	142	171	171

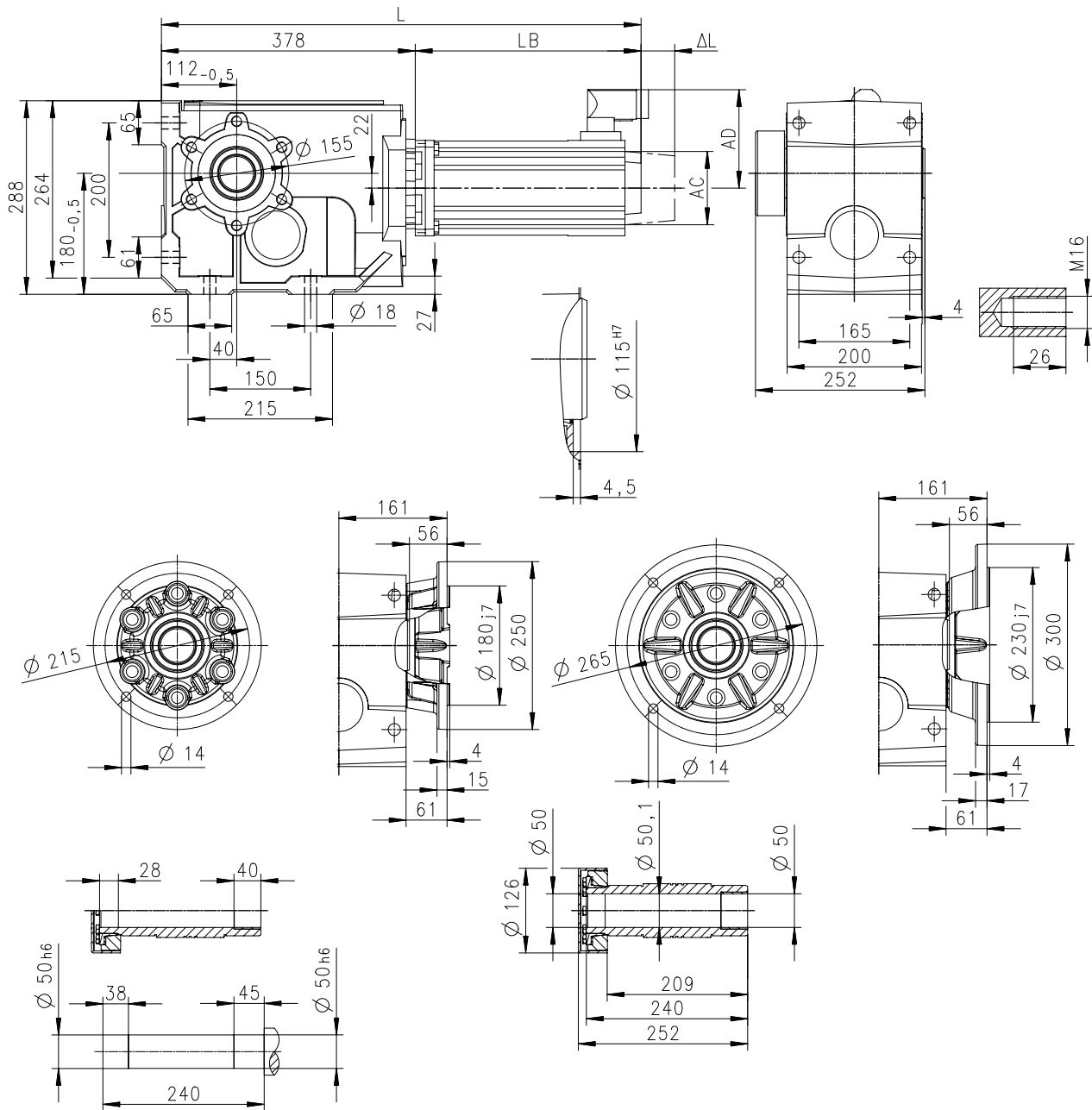
Technical data

Dimensions
Basic dimensions



g500-B1500 with MCS19

Gearbox design: Hollow shaft with shrink disc, with foot (SAR/SBR/SAK)



8800577-00

Motor			MCS									
			19F12-	19F14-	19F29-	19F30-	19J14-	19J29-	19J30-	19P14-	19P29-	19P30-
Cooling type			Forced	Natural	Forced	Natural	Natural	Forced	Natural	Natural	Forced	Natural
Total length	L	mm	740	633	740	633	673	780	673	733	780	733
Motor length	LB	mm	362	255	362	255	295	402	295	355	402	355
Length of motor options	Δ L	mm	72	93	72	93	93	72	93	93	72	93
Motor diameter	AC	mm	212	192	212	192	192	212	192	192	212	192
Motor/connection distance	AD	mm	142	142	171	171	142	171	171	142	171	171

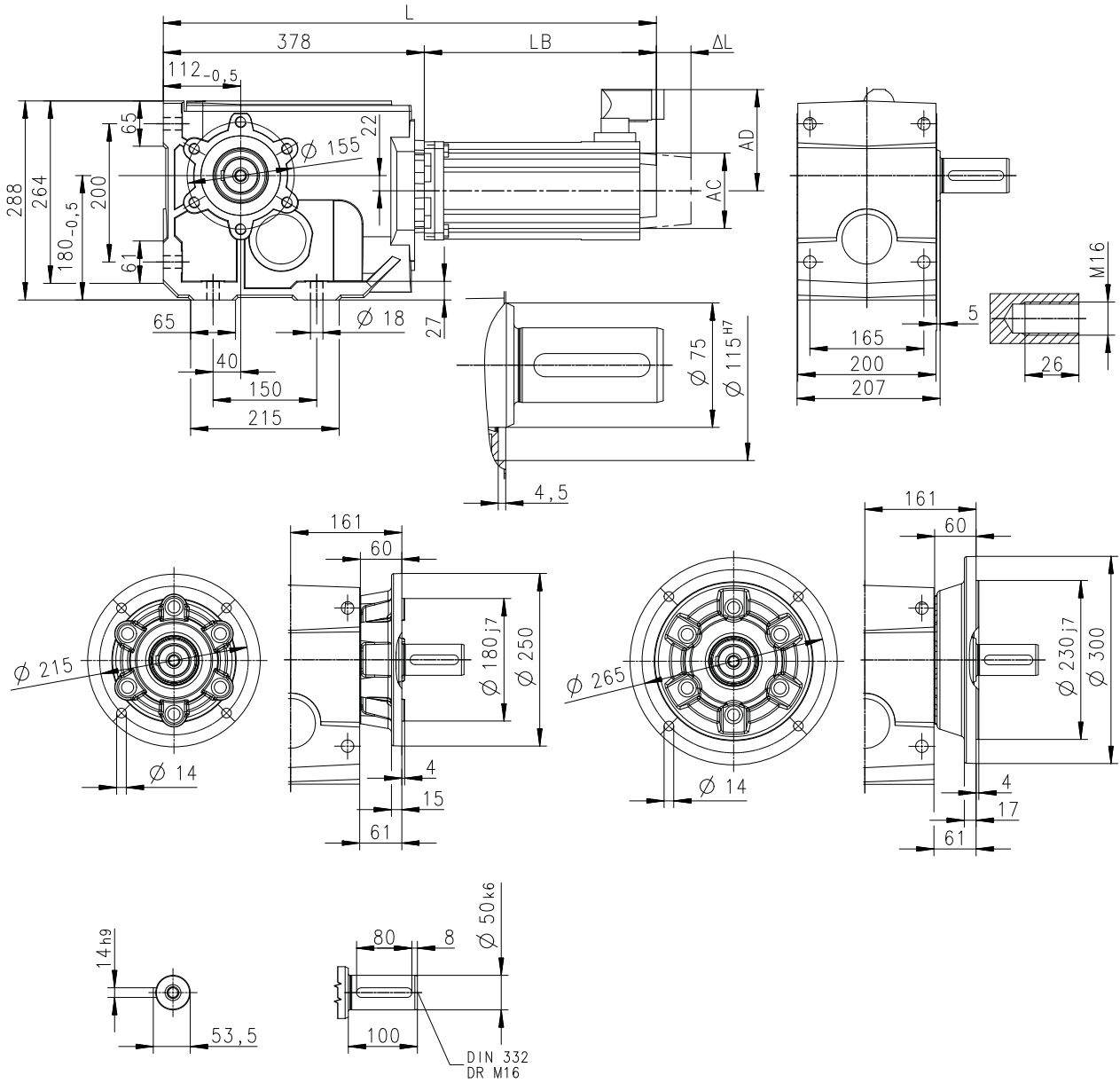


Technical data

Dimensions
Basic dimensions

g500-B1500 with MCS19

Gearbox design: solid shaft, with foot (VAR/VBR/VAK)

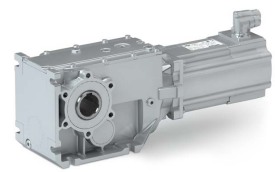


8800576-00

Motor			MCS									
			19F12-	19F14-	19F29-	19F30-	19J14-	19J29-	19J30-	19P14-	19P29-	19P30-
Cooling type			Forced	Natural	Forced	Natural	Natural	Forced	Natural	Natural	Forced	Natural
Total length	L	mm	740	633	740	633	673	780	673	733	780	733
Motor length	LB	mm	362	255	362	255	295	402	295	355	402	355
Length of motor options	Δ L	mm	72	93	72	93	93	72	93	93	72	93
Motor diameter	AC	mm	212	192	212	192	192	212	192	192	212	192
Motor/connection distance	AD	mm	142	142	171	171	142	171	171	142	171	171

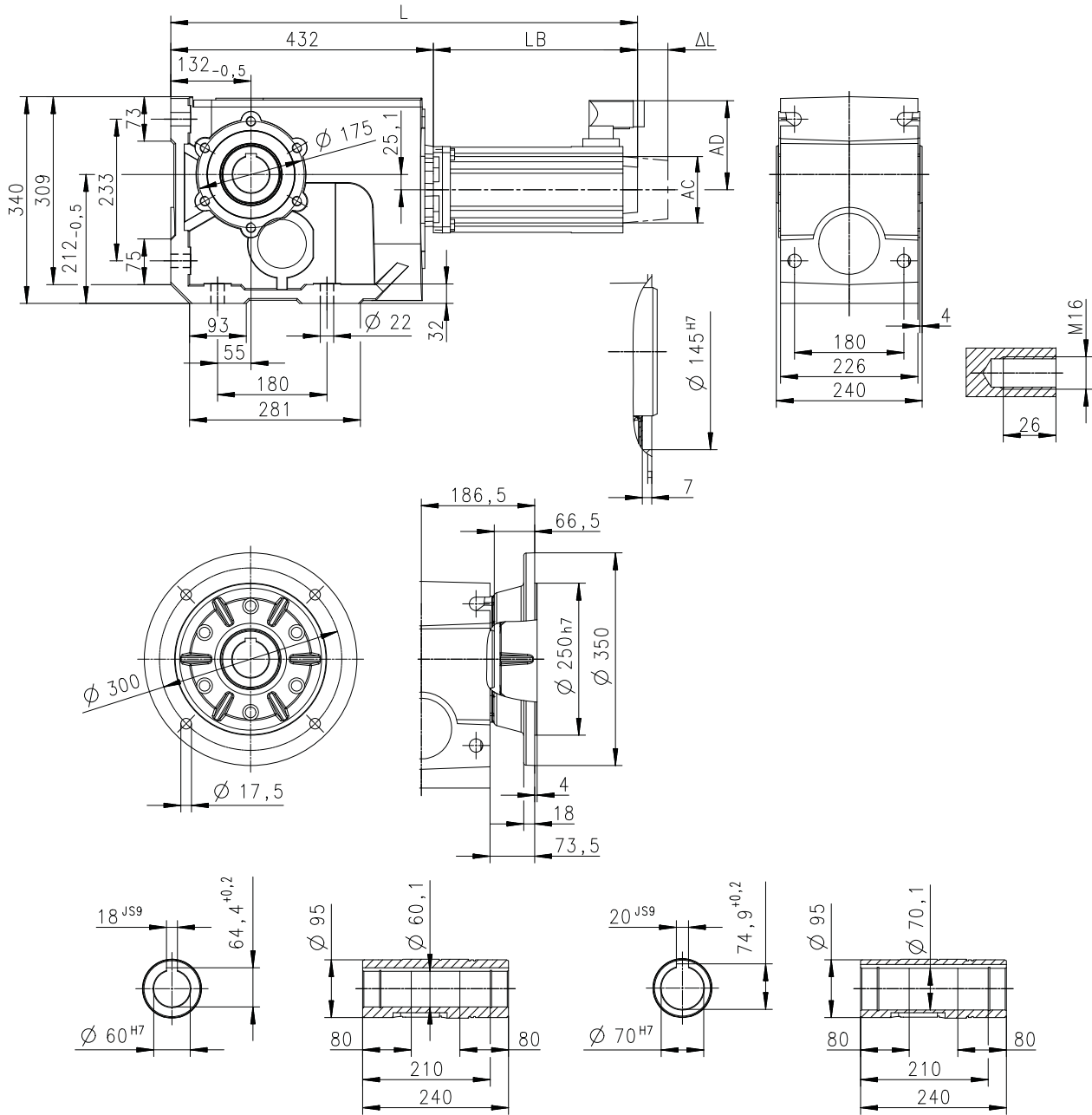
Technical data

Dimensions
Basic dimensions



g500-B2700 with MCS12

Gearbox design: hollow shaft, with foot (HAR/HBR/HAK)



8800578-00

Motor			MCS					
			12D17-	12D20- 12D20L	12D35-	12D41- 12D41L	12H14-	12H15- 12H15L
Cooling type			Forced	Natural	Forced	Natural	Forced	Natural
Total length	L	mm	706	633	706	633	746	673
Motor length	LB	mm	274	201	274	201	314	241
Length of motor options	Δ L	mm	63	69	63	69	63	69
Motor diameter	AC	mm	140	116	140	116	140	116
Motor/connection distance	AD	mm	105	105	105	105	105	105

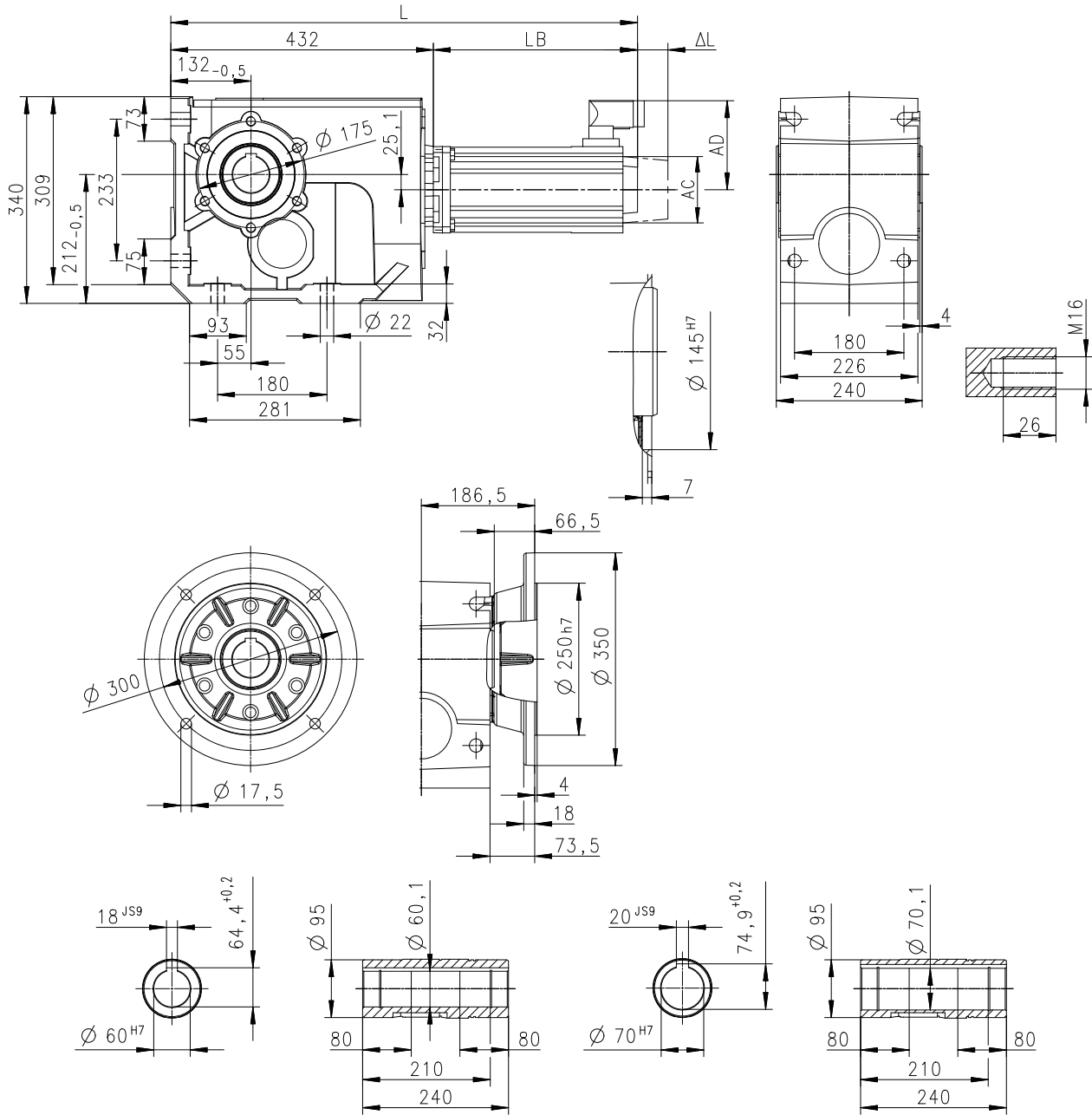


Technical data

Dimensions
Basic dimensions

g500-B2700 with MCS12

Gearbox design: hollow shaft, with foot (HAR/HBR/HAK)



8800578-00

Motor			MCS					
			12H34-	12H35- 12H30L	12L17-	12L20- 12L20L	12L39-	12L41- 12L41L
Cooling type			Forced	Natural	Forced	Natural	Forced	Natural
Total length	L	mm	746	673	786	713	786	713
Motor length	LB	mm	314	241	354	281	354	281
Length of motor options	Δ L	mm	63	69	63	69	63	69
Motor diameter	AC	mm	140	116	140	116	140	116
Motor/connection distance	AD	mm	105	105	105	105	105	105

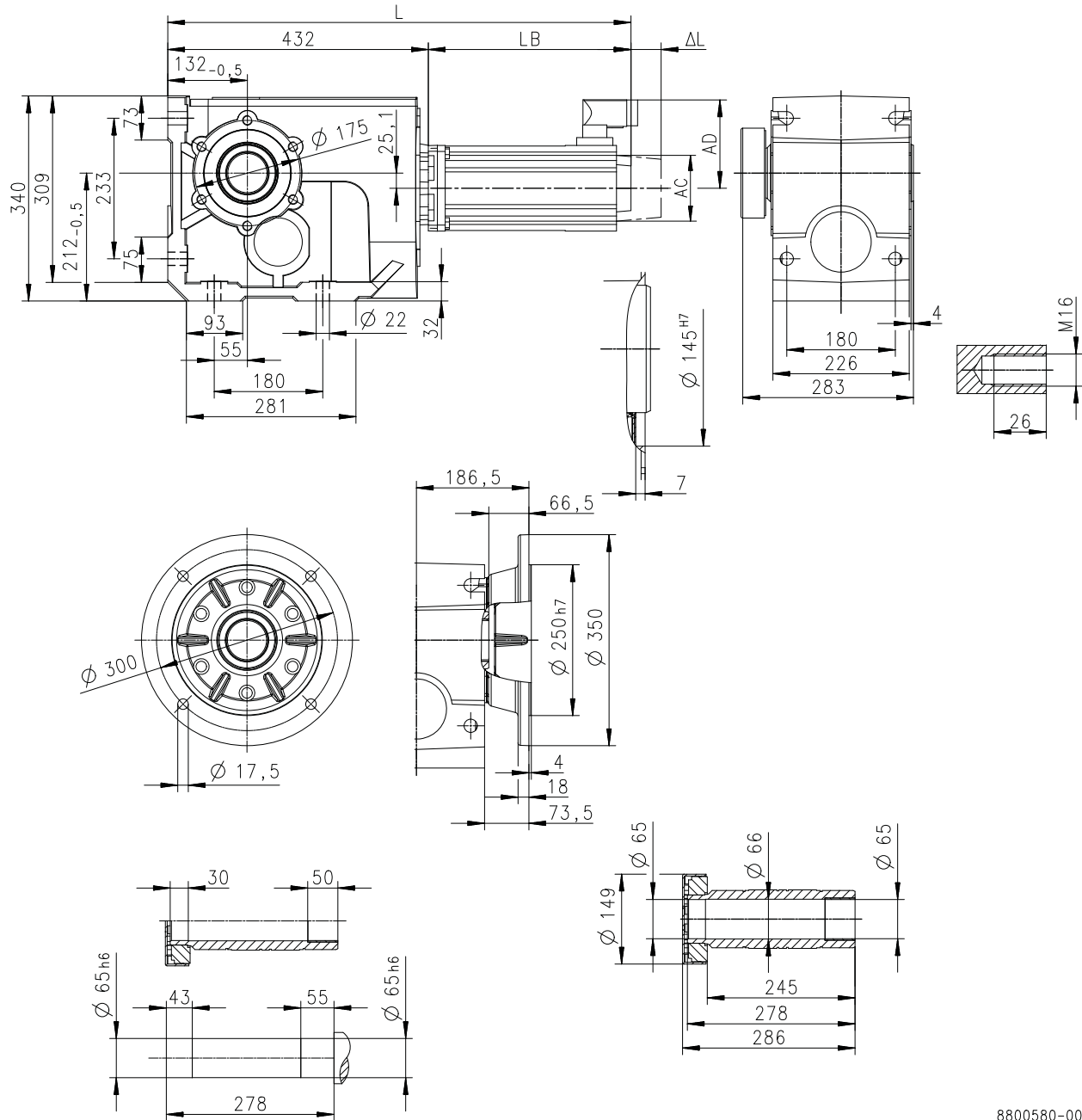
Technical data

Dimensions
Basic dimensions



g500-B2700 with MCS12

Gearbox design: Hollow shaft with shrink disc, with foot (SAR/SBR/SAK)



8800580-00

Motor			MCS					
			12D17-	12D20- 12D20L	12D35-	12D41- 12D41L	12H14-	12H15- 12H15L
Cooling type			Forced	Natural	Forced	Natural	Forced	Natural
Total length	L	mm	706	633	706	633	746	673
Motor length	LB	mm	274	201	274	201	314	241
Length of motor options	ΔL	mm	63	69	63	69	63	69
Motor diameter	AC	mm	140	116	140	116	140	116
Motor/connection distance	AD	mm	105	105	105	105	105	105

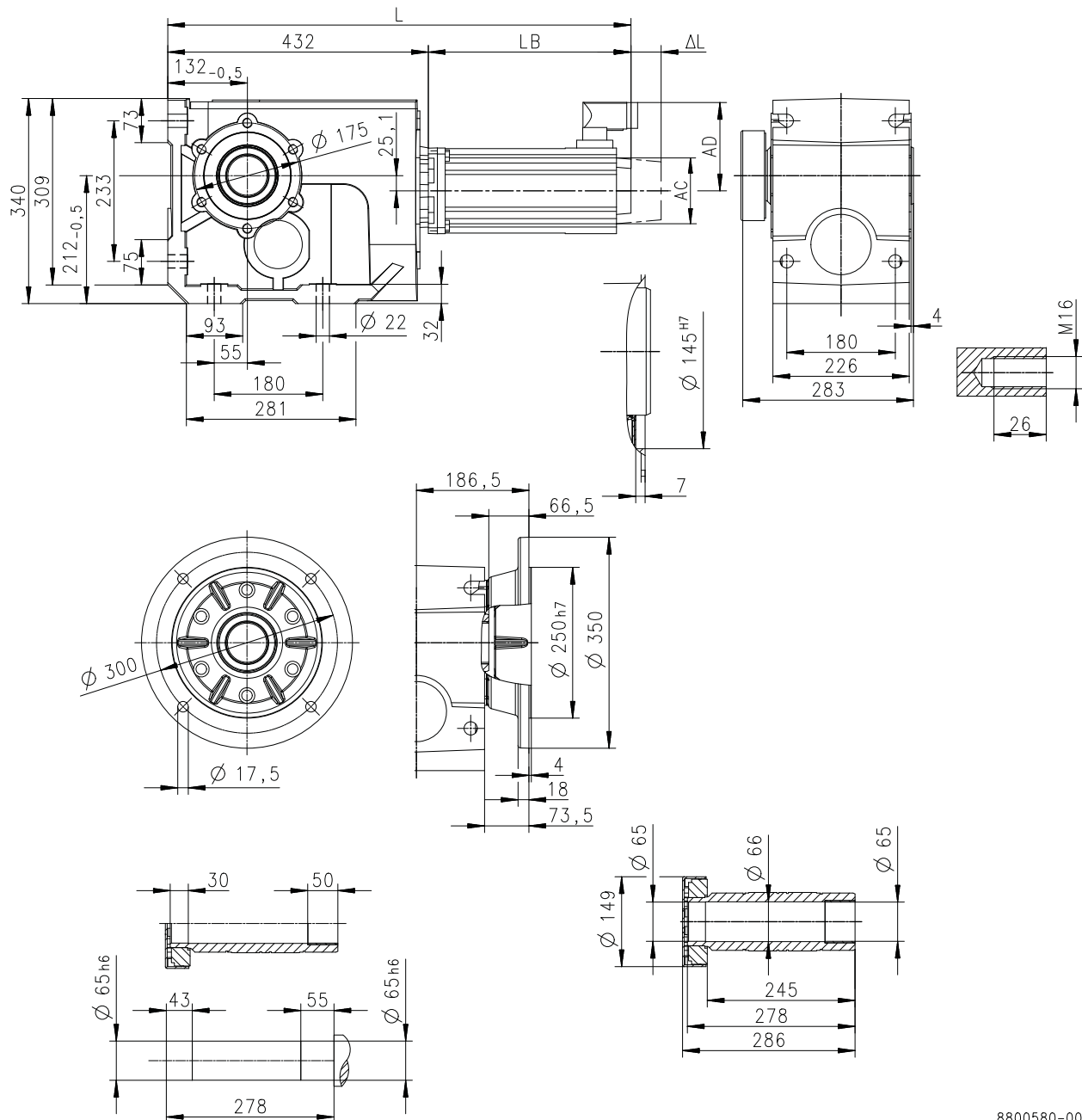


Technical data

Dimensions
Basic dimensions

g500-B2700 with MCS12

Gearbox design: Hollow shaft with shrink disc, with foot (SAR/SBR/SAK)



8800580-00

Motor			MCS					
			12H34-	12H35- 12H30L	12L17-	12L20- 12L20L	12L39-	12L41- 12L41L
Cooling type			Forced	Natural	Forced	Natural	Forced	Natural
Total length	L	mm	746	673	786	713	786	713
Motor length	LB	mm	314	241	354	281	354	281
Length of motor options	ΔL	mm	63	69	63	69	63	69
Motor diameter	AC	mm	140	116	140	116	140	116
Motor/connection distance	AD	mm	105	105	105	105	105	105

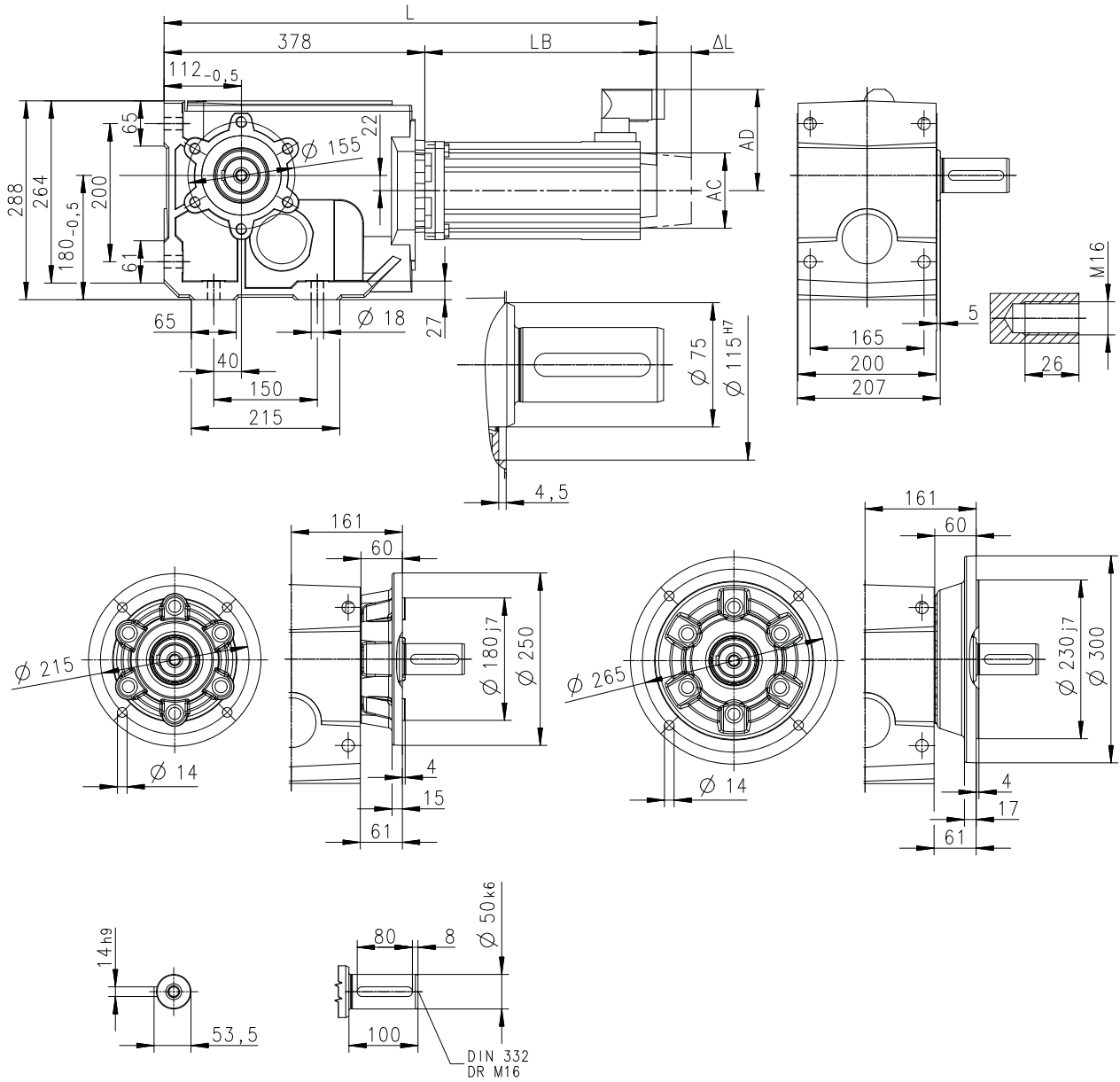
Technical data

Dimensions
Basic dimensions



g500-B1500 with MCS12

Gearbox design: solid shaft, with foot (VAR/VBR/VAK)



8800576-00

Motor			MCS					
			12D17-	12D20- 12D20L	12D35-	12D41- 12D41L	12H14-	12H15- 12H15L
Cooling type			Forced	Natural	Forced	Natural	Forced	Natural
Total length	L	mm	706	633	706	633	746	673
Motor length	LB	mm	274	201	274	201	314	241
Length of motor options	ΔL	mm	63	69	63	69	63	69
Motor diameter	AC	mm	140	116	140	116	140	116
Motor/connection distance	AD	mm	105	105	105	105	105	105

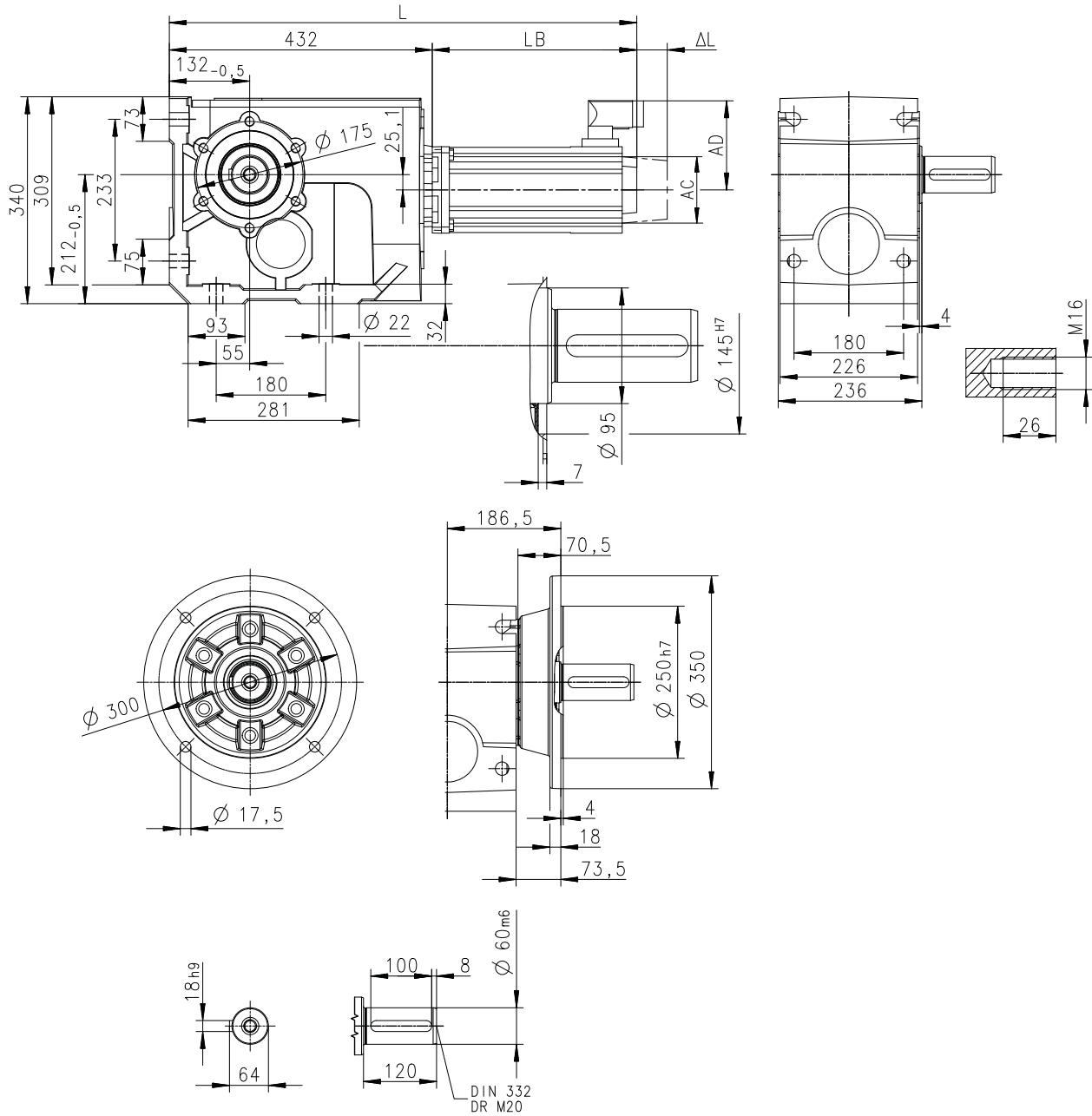


Technical data

Dimensions
Basic dimensions

g500-B2700 with MCS12

Gearbox design: solid shaft, with foot (VAR/VBR/VAK)



8800579-00

Motor			MCS					
			12H34-	12H35- 12H30L	12L17-	12L20- 12L20L	12L39-	12L41- 12L41L
Cooling type			Forced	Natural	Forced	Natural	Forced	Natural
Total length	L	mm	746	673	786	713	786	713
Motor length	LB	mm	314	241	354	281	354	281
Length of motor options	Δ L	mm	63	69	63	69	63	69
Motor diameter	AC	mm	140	116	140	116	140	116
Motor/connection distance	AD	mm	105	105	105	105	105	105

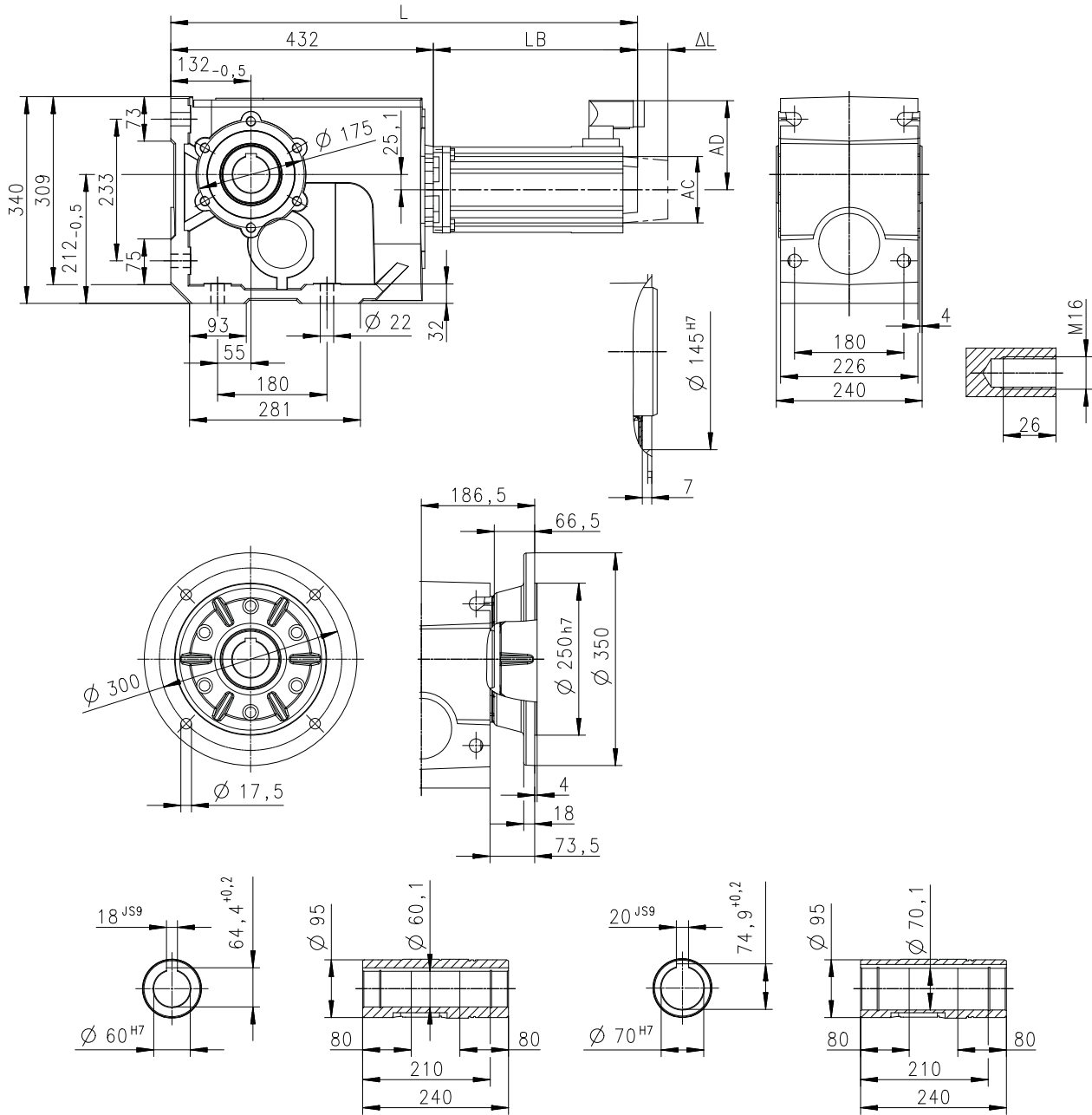
Technical data

Dimensions
Basic dimensions



g500-B2700 with MCS14

Gearbox design: hollow shaft, with foot (HAR/HBR/HAK)



8800578-00

Motor			MCS							
			14D14-	14D15-	14D30-	14D36-	14H12-	14H15-	14H28-	14H32-
Cooling type			Forced	Natural	Forced	Natural	Forced	Natural	Forced	Natural
Total length	L	mm	736	648	736	648	776	688	776	688
Motor length	LB	mm	304	216	304	216	344	256	344	256
Length of motor options	Δ L	mm	82	78	82	78	82	78	82	78
Motor diameter	AC	mm	167	143	167	143	167	143	167	143
Motor/connection distance	AD	mm	117	117	117	117	117	117	146	117

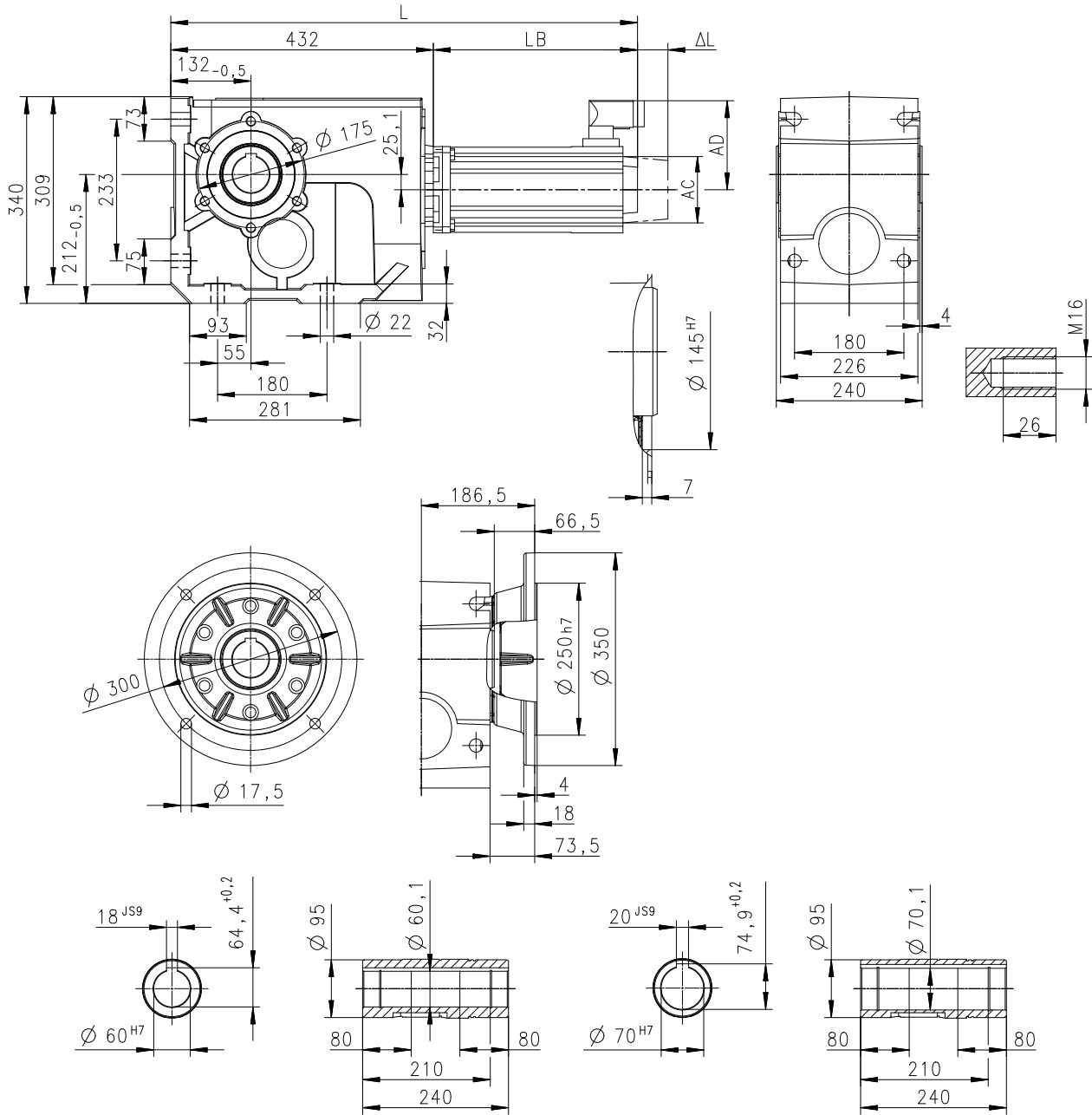


Technical data

Dimensions
Basic dimensions

g500-B2700 with MCS14

Gearbox design: hollow shaft, with foot (HAR/HBR/HAK)



8800578-00

Motor			MCS							
			14L14-	14L15-	14L30-	14L32-	14P11-	14P14-	14P26-	14P32-
Cooling type			Forced	Natural	Forced	Natural	Forced	Natural	Forced	Natural
Total length	L	mm	816	728	816	728	856	768	856	768
Motor length	LB	mm	384	296	384	296	424	336	424	336
Length of motor options	ΔL	mm	82	78	82	78	82	78	82	78
Motor diameter	AC	mm	167	143	167	143	167	143	167	143
Motor/connection distance	AD	mm	117	117	146	146	117	117	146	146

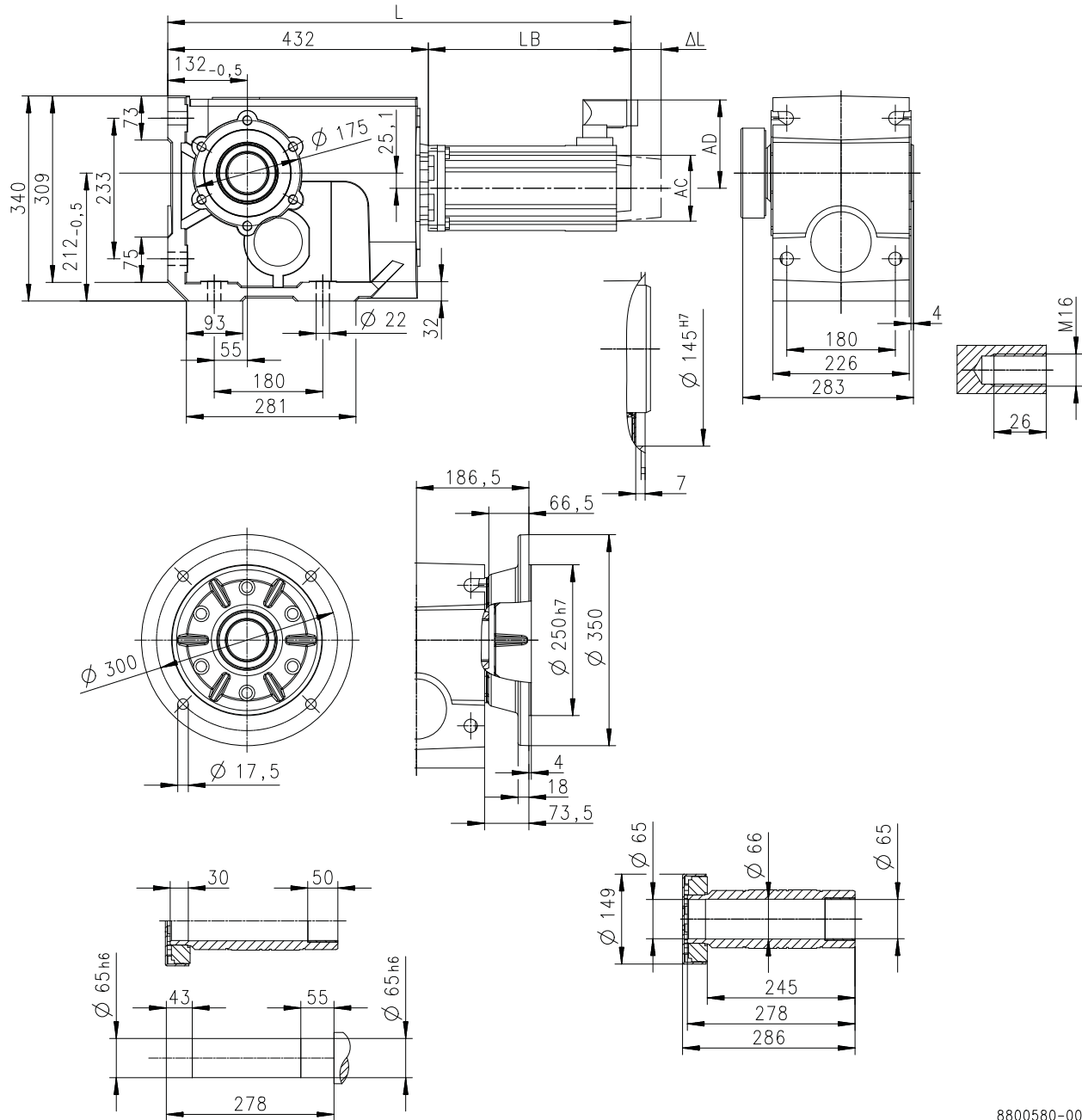
Technical data

Dimensions
Basic dimensions



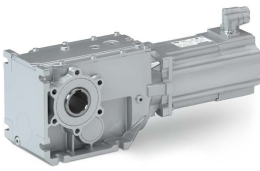
g500-B2700 with MCS14

Gearbox design: Hollow shaft with shrink disc, with foot (SAR/SBR/SAK)



8800580-00

Motor			MCS							
			14D14-	14D15-	14D30-	14D36-	14H12-	14H15-	14H28-	14H32-
Cooling type			Forced	Natural	Forced	Natural	Forced	Natural	Forced	Natural
Total length	L	mm	736	648	736	648	776	688	776	688
Motor length	LB	mm	304	216	304	216	344	256	344	256
Length of motor options	Δ L	mm	82	78	82	78	82	78	82	78
Motor diameter	AC	mm	167	143	167	143	167	143	167	143
Motor/connection distance	AD	mm	117	117	117	117	117	117	146	117

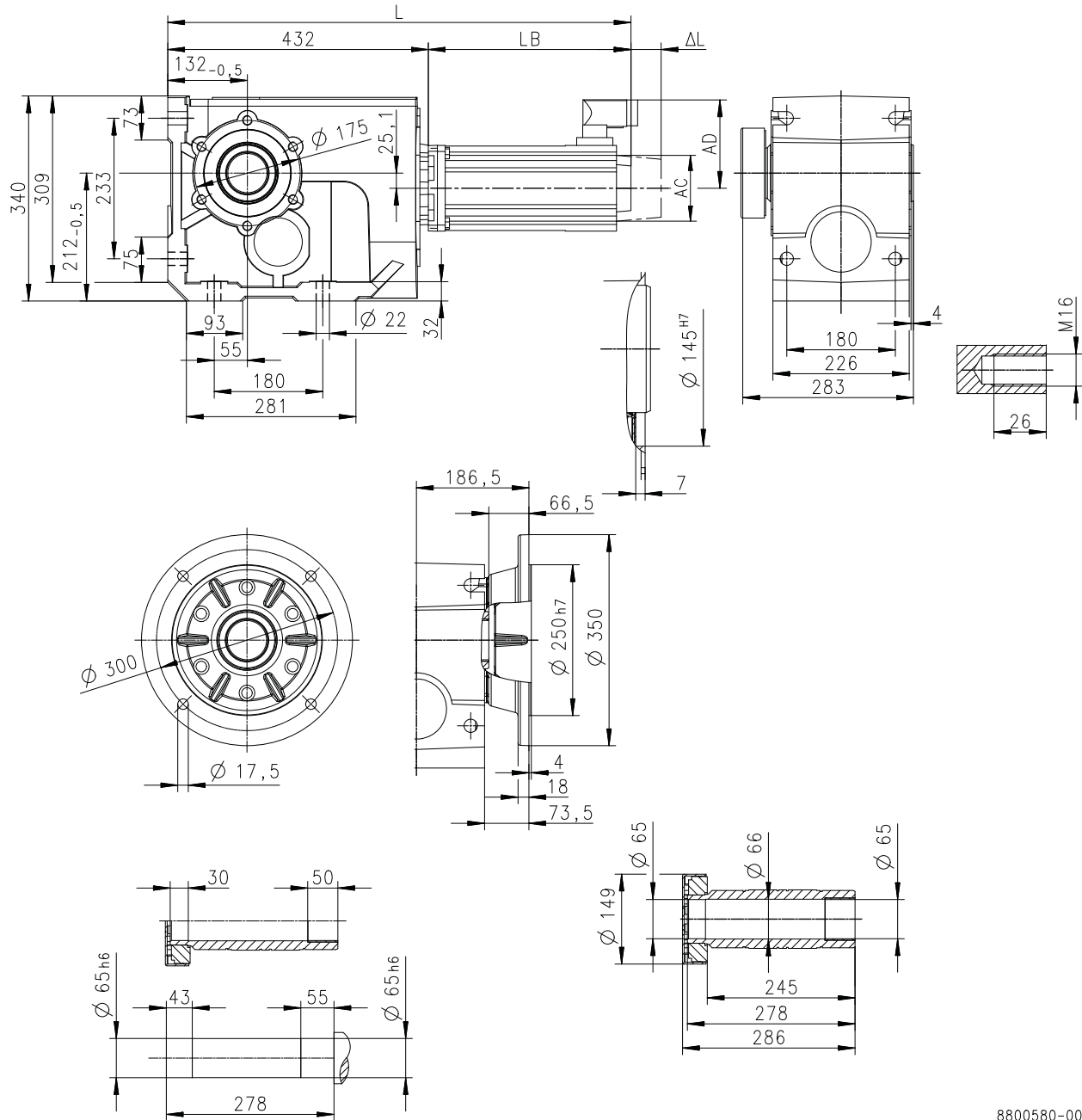


Technical data

Dimensions
Basic dimensions

g500-B2700 with MCS14

Gearbox design: Hollow shaft with shrink disc, with foot (SAR/SBR/SAK)



8800580-00

Motor			MCS							
			14L14-	14L15-	14L30-	14L32-	14P11-	14P14-	14P26-	14P32-
Cooling type			Forced	Natural	Forced	Natural	Forced	Natural	Forced	Natural
Total length	L	mm	816	728	816	728	856	768	856	768
Motor length	LB	mm	384	296	384	296	424	336	424	336
Length of motor options	ΔL	mm	82	78	82	78	82	78	82	78
Motor diameter	AC	mm	167	143	167	143	167	143	167	143
Motor/connection distance	AD	mm	117	117	146	146	117	117	146	146

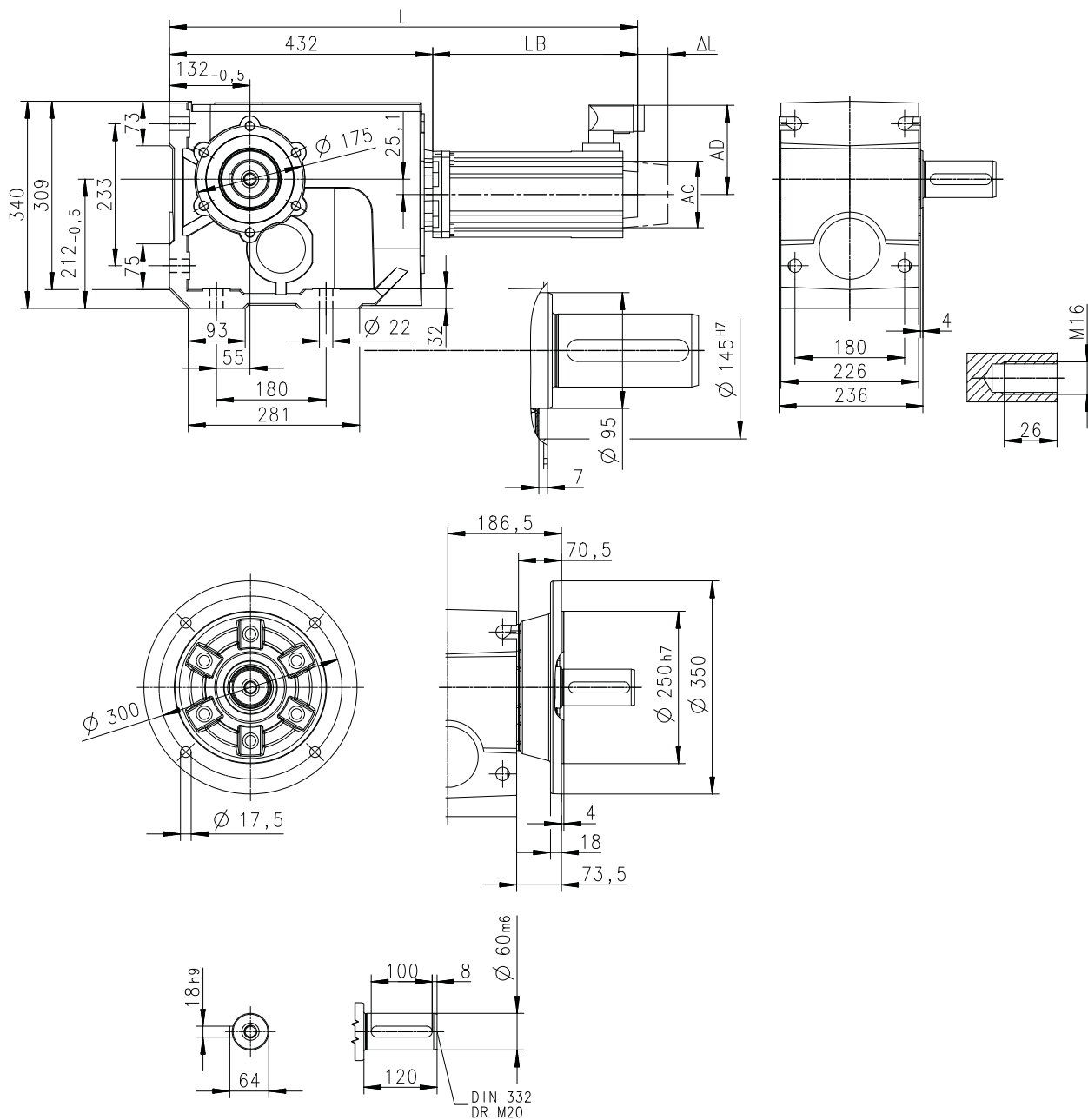
Technical data

Dimensions
Basic dimensions



g500-B2700 with MCS14

Gearbox design: solid shaft, with foot (VAR/VBR/VAK)



8800579-00

Motor			MCS							
			14D14-	14D15-	14D30-	14D36-	14H12-	14H15-	14H28-	14H32-
Cooling type			Forced	Natural	Forced	Natural	Forced	Natural	Forced	Natural
Total length	L	mm	736	648	736	648	776	688	776	688
Motor length	LB	mm	304	216	304	216	344	256	344	256
Length of motor options	Δ L	mm	82	78	82	78	82	78	82	78
Motor diameter	AC	mm	167	143	167	143	167	143	167	143
Motor/connection distance	AD	mm	117	117	117	117	117	117	146	117

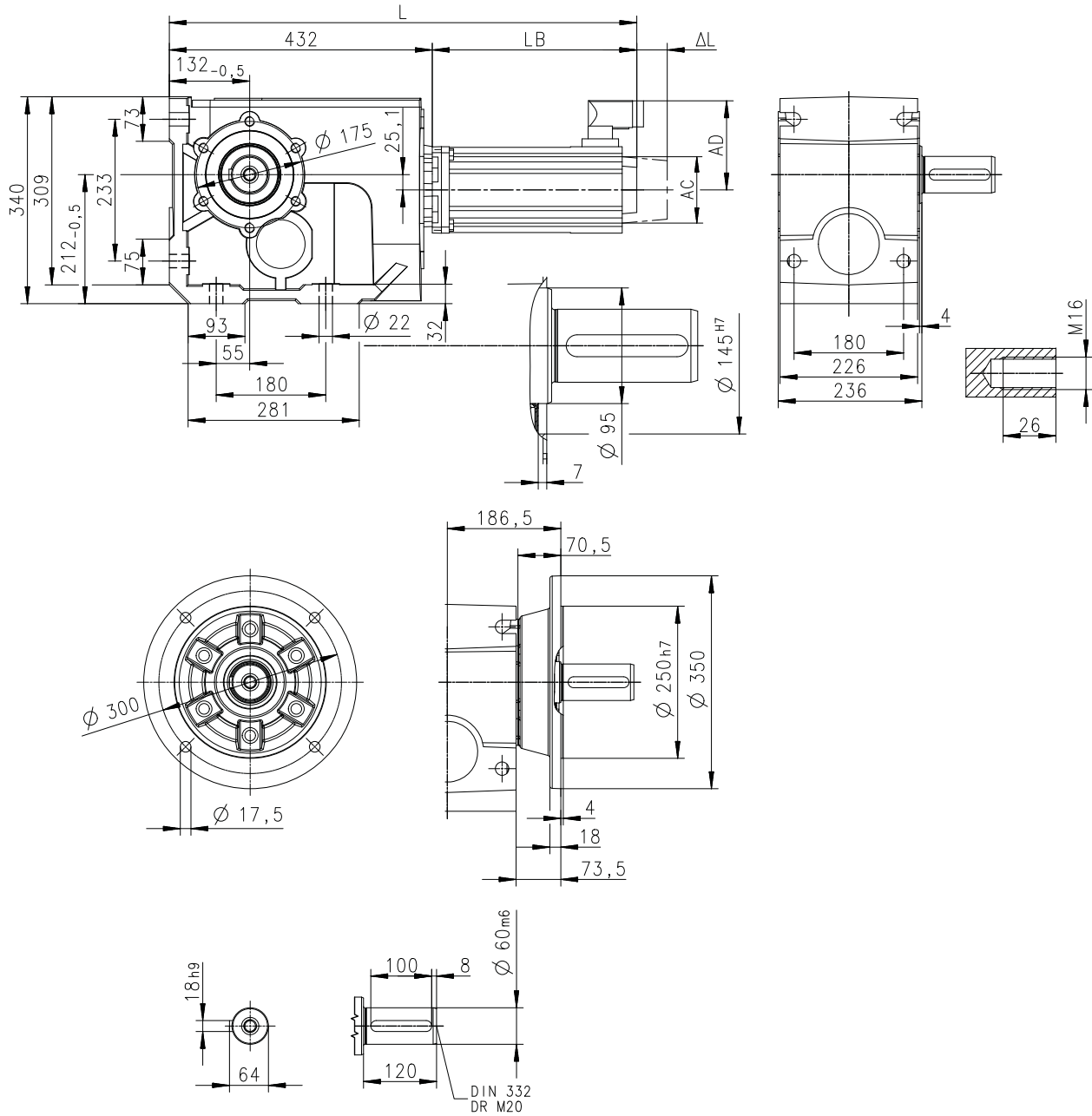


Technical data

Dimensions
Basic dimensions

g500-B2700 with MCS14

Gearbox design: solid shaft, with foot (VAR/VBR/VAK)



8800579-00

Motor			MCS							
			14L14-	14L15-	14L30-	14L32-	14P11-	14P14-	14P26-	14P32-
Cooling type			Forced	Natural	Forced	Natural	Forced	Natural	Forced	Natural
Total length	L	mm	816	728	816	728	856	768	856	768
Motor length	LB	mm	384	296	384	296	424	336	424	336
Length of motor options	ΔL	mm	82	78	82	78	82	78	82	78
Motor diameter	AC	mm	167	143	167	143	167	143	167	143
Motor/connection distance	AD	mm	117	117	146	146	117	117	146	146

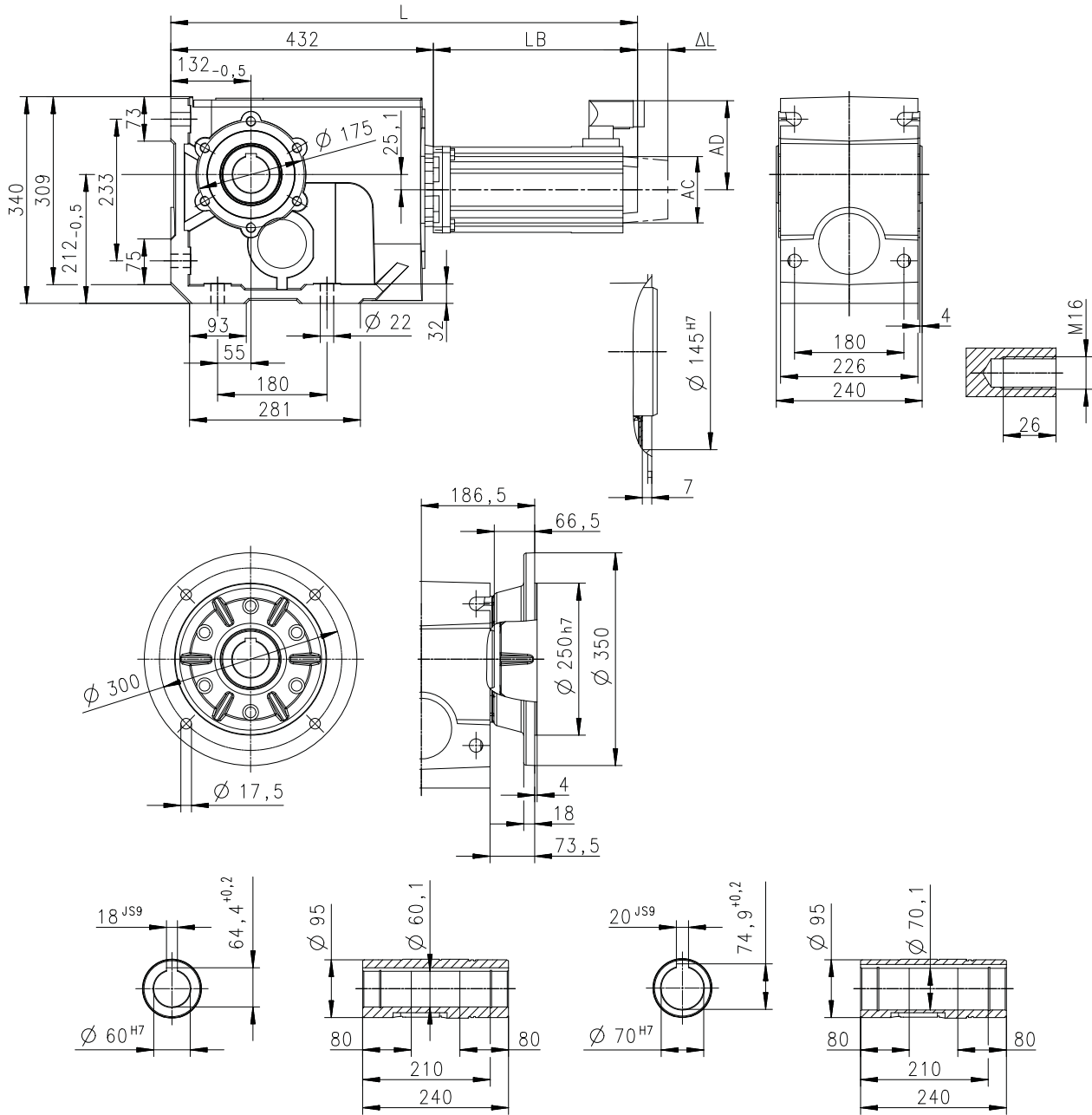
Technical data

Dimensions
Basic dimensions



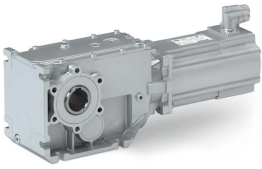
g500-B2700 with MCS19

Gearbox design: hollow shaft, with foot (HAR/HBR/HAK)



8800578-00

Motor			MCS									
			19F12-	19F14-	19F29-	19F30-	19J14-	19J29-	19J30-	19P14-	19P29-	19P30-
Cooling type			Forced	Natural	Forced	Natural	Natural	Forced	Natural	Natural	Forced	Natural
Total length	L	mm	794	687	794	687	727	834	727	787	834	787
Motor length	LB	mm	362	255	362	255	295	402	295	355	402	355
Length of motor options	Δ L	mm	72	93	72	93	93	72	93	93	72	93
Motor diameter	AC	mm	212	192	212	192	192	212	192	192	212	192
Motor/connection distance	AD	mm	142	142	171	171	142	171	171	142	171	171

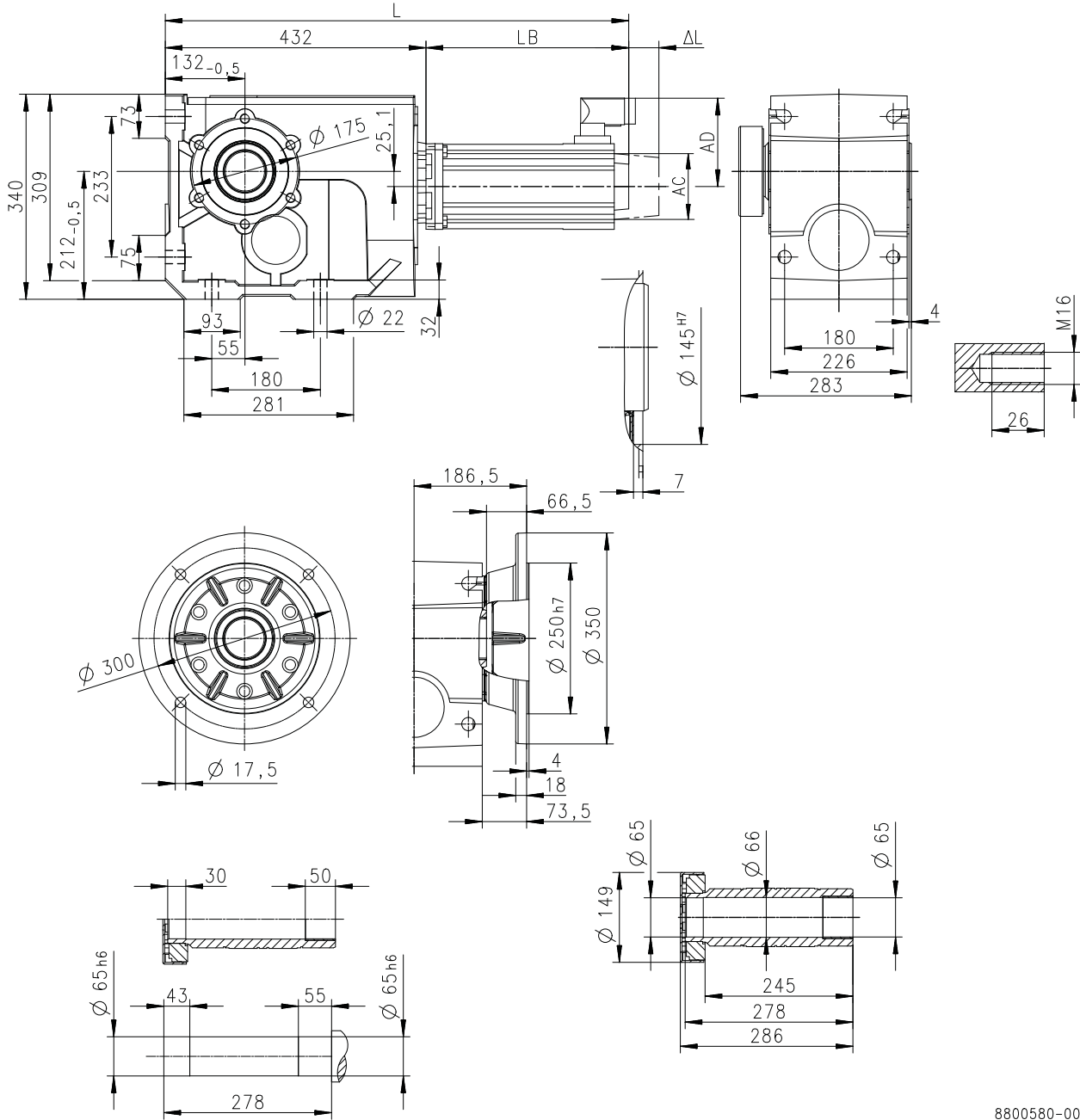


Technical data

Dimensions
Basic dimensions

g500-B2700 with MCS19

Gearbox design: Hollow shaft with shrink disc, with foot (SAR/SBR/SAK)



8800580-00

Motor			MCS									
			19F12-	19F14-	19F29-	19F30-	19J14-	19J29-	19J30-	19P14-	19P29-	19P30-
Cooling type			Forced	Natural	Forced	Natural	Natural	Forced	Natural	Natural	Forced	Natural
Total length	L	mm	794	687	794	687	727	834	727	787	834	787
Motor length	LB	mm	362	255	362	255	295	402	295	355	402	355
Length of motor options	ΔL	mm	72	93	72	93	93	72	93	93	72	93
Motor diameter	AC	mm	212	192	212	192	192	212	192	192	212	192
Motor/connection distance	AD	mm	142	142	171	171	142	171	171	142	171	171

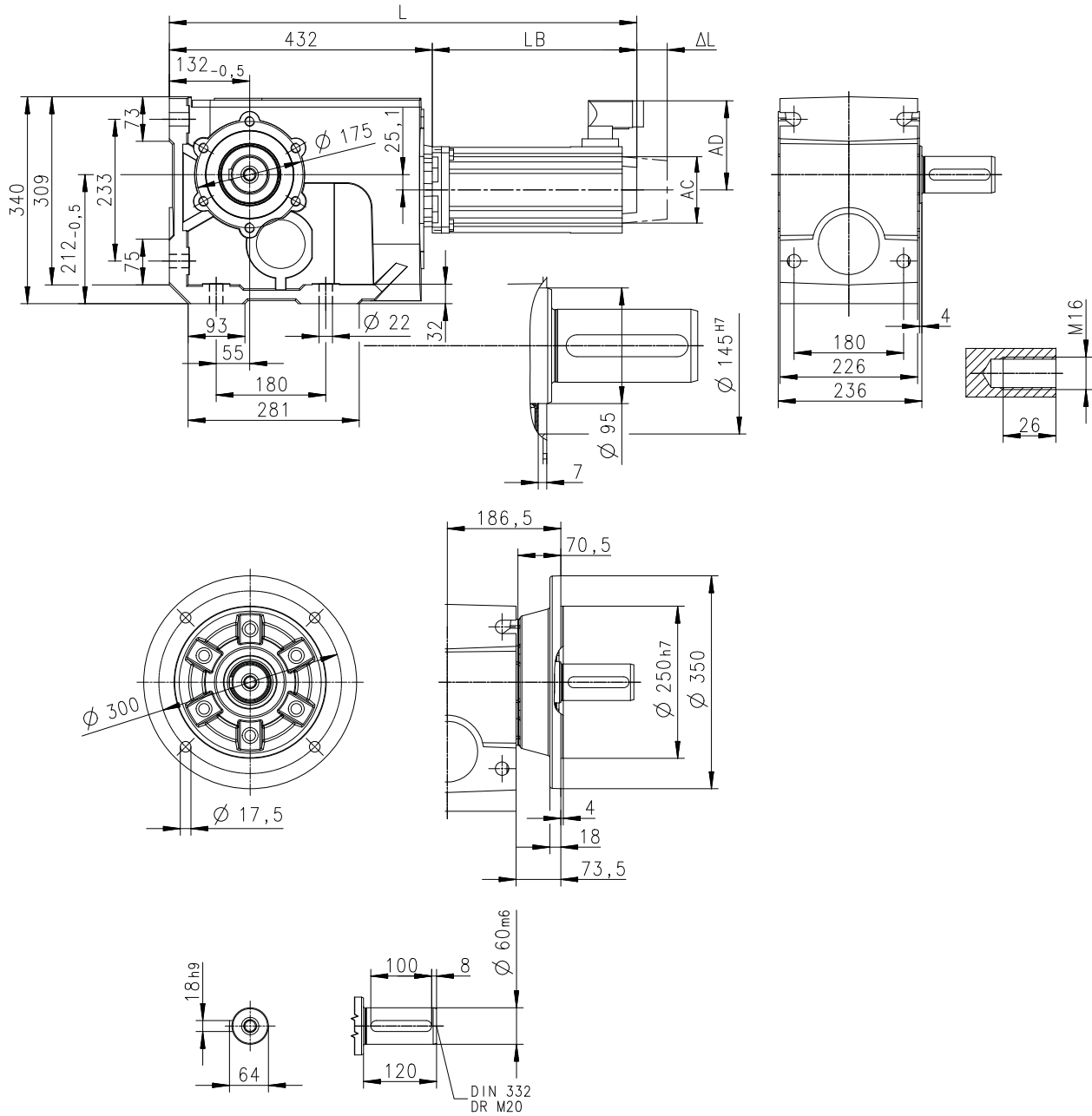
Technical data

Dimensions
Basic dimensions



g500-B2700 with MCS19

Gearbox design: solid shaft, with foot (VAR/VBR/VAK)



8800579-00

Motor			MCS									
			19F12-	19F14-	19F29-	19F30-	19J14-	19J29-	19J30-	19P14-	19P29-	19P30-
Cooling type			Forced	Natural	Forced	Natural	Natural	Forced	Natural	Natural	Forced	Natural
Total length	L	mm	794	687	794	687	727	834	727	787	834	787
Motor length	LB	mm	362	255	362	255	295	402	295	355	402	355
Length of motor options	Δ L	mm	72	93	72	93	93	72	93	93	72	93
Motor diameter	AC	mm	212	192	212	192	192	212	192	192	212	192
Motor/connection distance	AD	mm	142	142	171	171	142	171	171	142	171	171

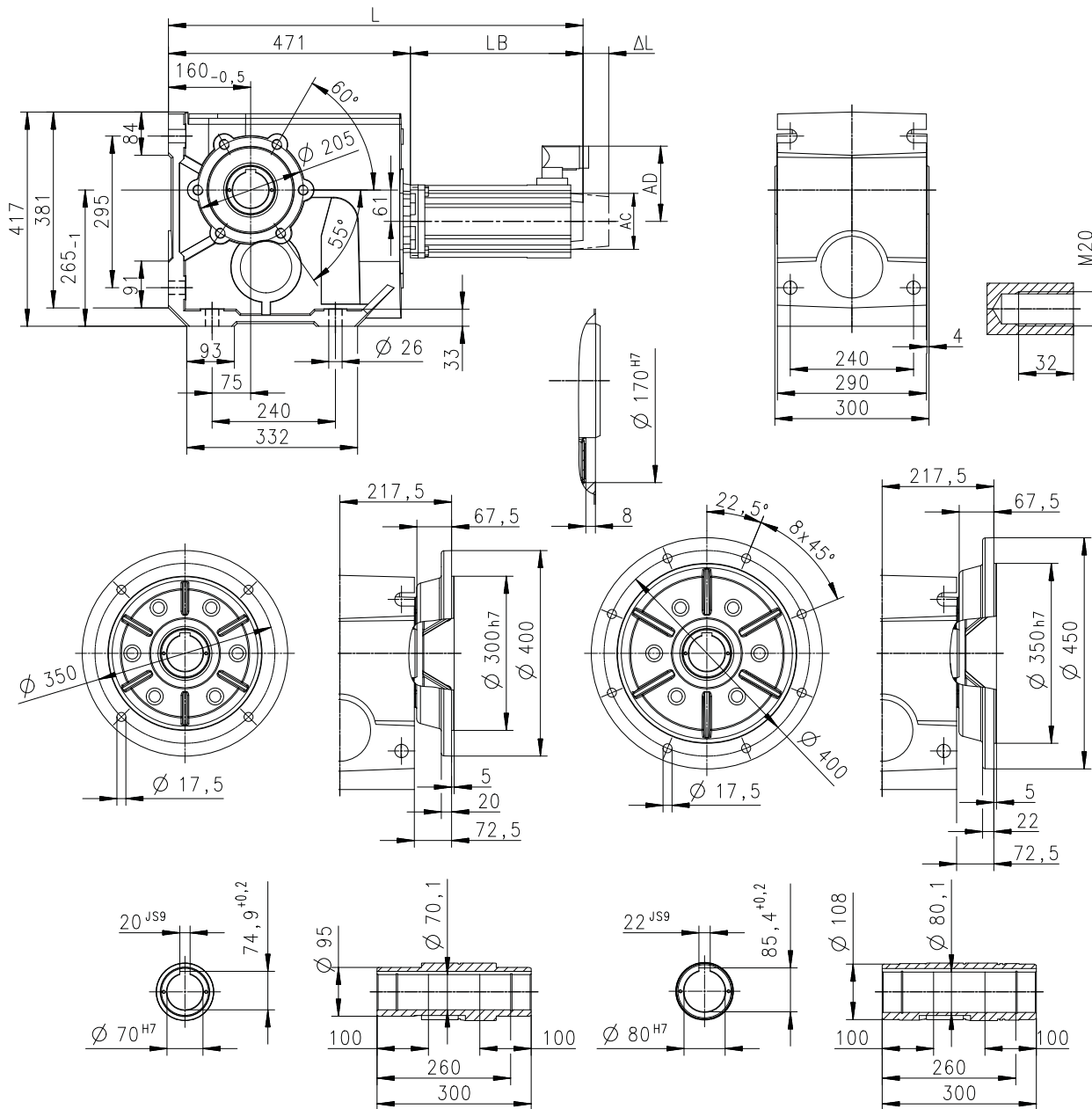


Technical data

Dimensions
Basic dimensions

g500-B4300 with MCS12

Gearbox design: hollow shaft, with foot (HAR/HBR/HAK)



8800581-00

Motor			MCS					
			12D17-	12D20- 12D20L	12D35-	12D41- 12D41L	12H14-	12H15- 12H15L
Cooling type			Forced	Natural	Forced	Natural	Forced	Natural
Total length	L	mm	745	672	745	672	785	712
Motor length	LB	mm	274	201	274	201	314	241
Length of motor options	Δ L	mm	63	69	63	69	63	69
Motor diameter	AC	mm	140	116	140	116	140	116
Motor/connection distance	AD	mm	105	105	105	105	105	105

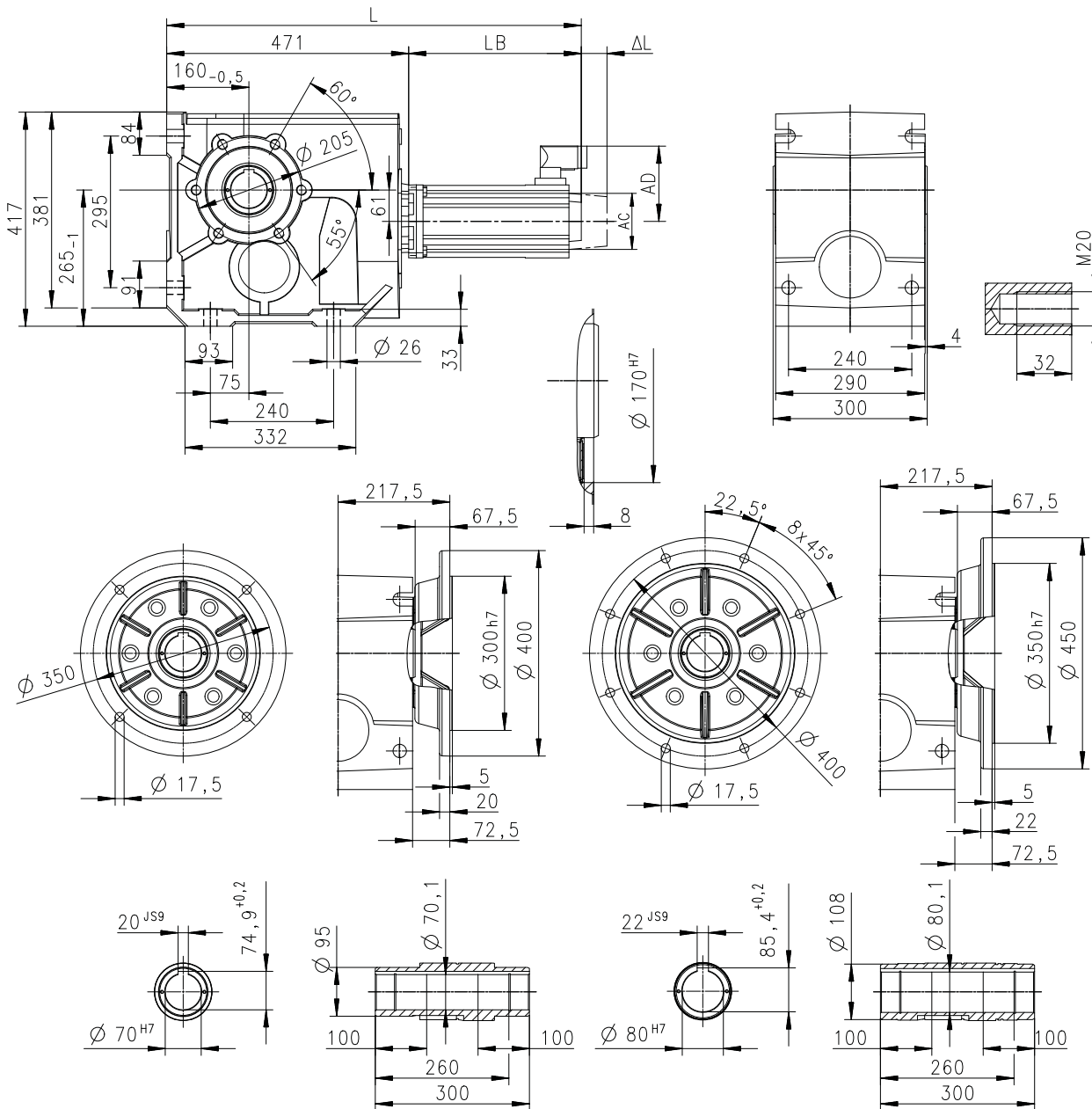
Technical data

Dimensions
Basic dimensions



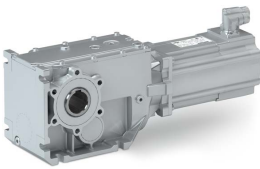
g500-B4300 with MCS12

Gearbox design: hollow shaft, with foot (HAR/HBR/HAK)



8800581-00

Motor			MCS					
			12H34-	12H35- 12H30L	12L17-	12L20- 12L20L	12L39-	12L41- 12L41L
Cooling type			Forced	Natural	Forced	Natural	Forced	Natural
Total length	L	mm	785	712	825	752	825	752
Motor length	LB	mm	314	241	354	281	354	281
Length of motor options	Δ L	mm	63	69	63	69	63	69
Motor diameter	AC	mm	140	116	140	116	140	116
Motor/connection distance	AD	mm	105	105	105	105	105	105

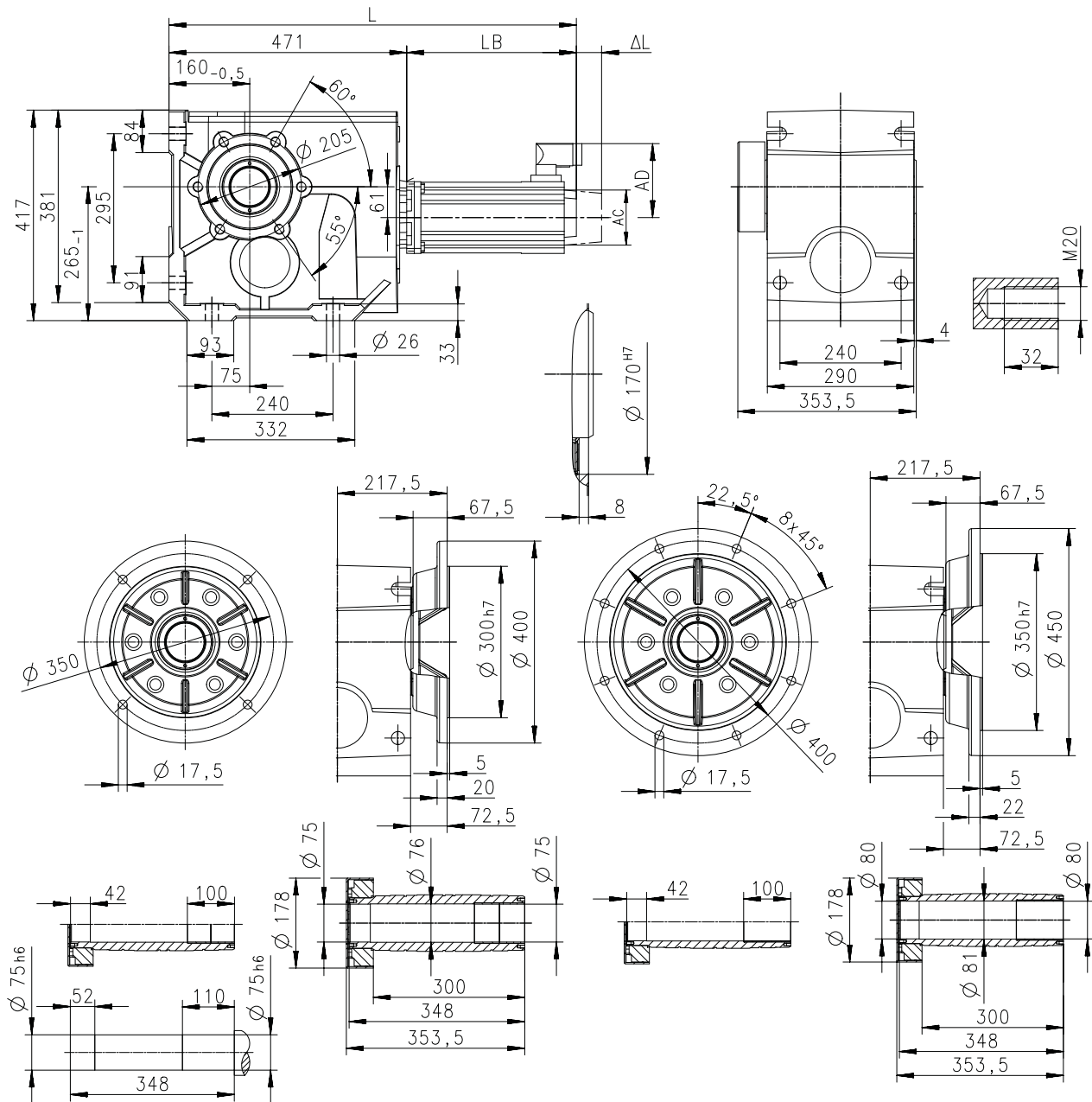


Technical data

Dimensions
Basic dimensions

g500-B4300 with MCS12

Gearbox design: Hollow shaft with shrink disc, with foot (SAR/SBR/SAK)



8800583-00

Motor			MCS					
			12D17-	12D20- 12D20L	12D35-	12D41- 12D41L	12H14-	12H15- 12H15L
Cooling type			Forced	Natural	Forced	Natural	Forced	Natural
Total length	L	mm	745	672	745	672	785	712
Motor length	LB	mm	274	201	274	201	314	241
Length of motor options	ΔL	mm	63	69	63	69	63	69
Motor diameter	AC	mm	140	116	140	116	140	116
Motor/connection distance	AD	mm	105	105	105	105	105	105

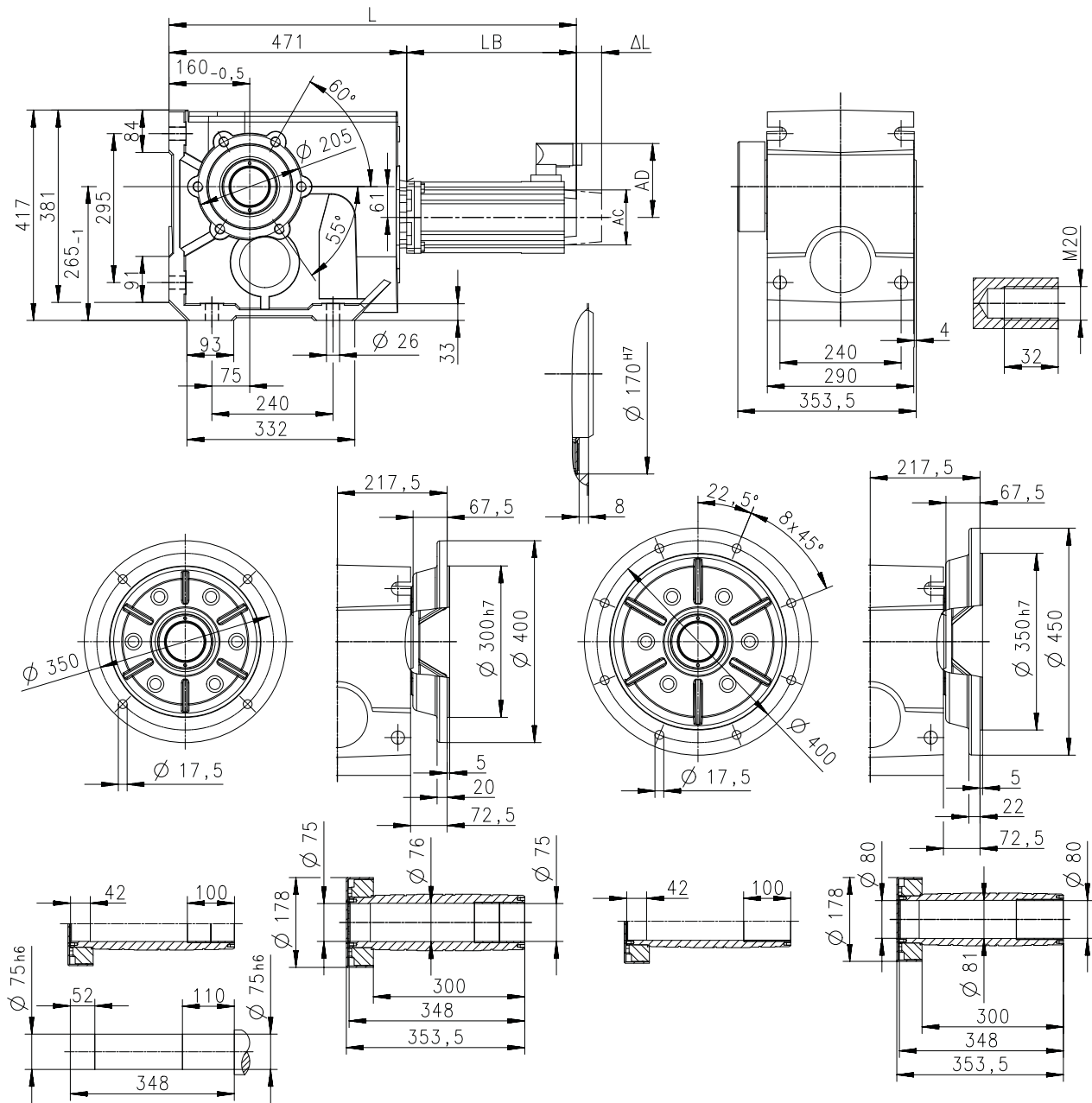
Technical data

Dimensions
Basic dimensions



g500-B4300 with MCS12

Gearbox design: Hollow shaft with shrink disc, with foot (SAR/SBR/SAK)



8800583-00

Motor			MCS					
			12H34-	12H35- 12H30L	12L17-	12L20- 12L20L	12L39-	12L41- 12L41L
Cooling type			Forced	Natural	Forced	Natural	Forced	Natural
Total length	L	mm	785	712	825	752	825	752
Motor length	LB	mm	314	241	354	281	354	281
Length of motor options	Δ L	mm	63	69	63	69	63	69
Motor diameter	AC	mm	140	116	140	116	140	116
Motor/connection distance	AD	mm	105	105	105	105	105	105

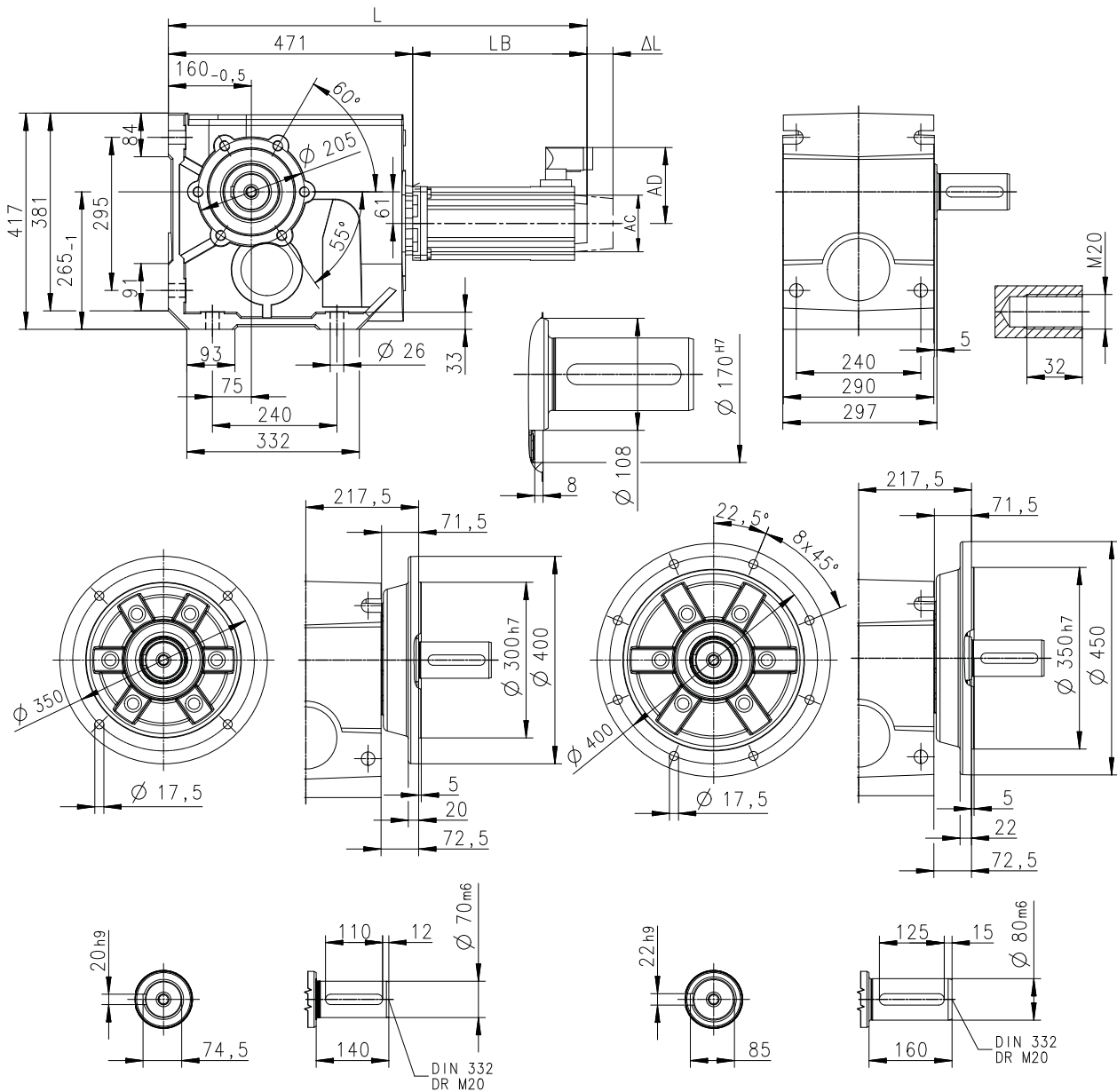


Technical data

Dimensions
Basic dimensions

g500-B4300 with MCS12

Gearbox design: solid shaft, with foot (VAR/VBR/VAK)

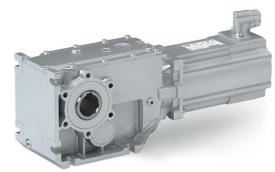


8800582-00

Motor			MCS					
			12D17-	12D20- 12D20L	12D35-	12D41- 12D41L	12H14-	12H15- 12H15L
Cooling type			Forced	Natural	Forced	Natural	Forced	Natural
Total length	L	mm	745	672	745	672	785	712
Motor length	LB	mm	274	201	274	201	314	241
Length of motor options	ΔL	mm	63	69	63	69	63	69
Motor diameter	AC	mm	140	116	140	116	140	116
Motor/connection distance	AD	mm	105	105	105	105	105	105

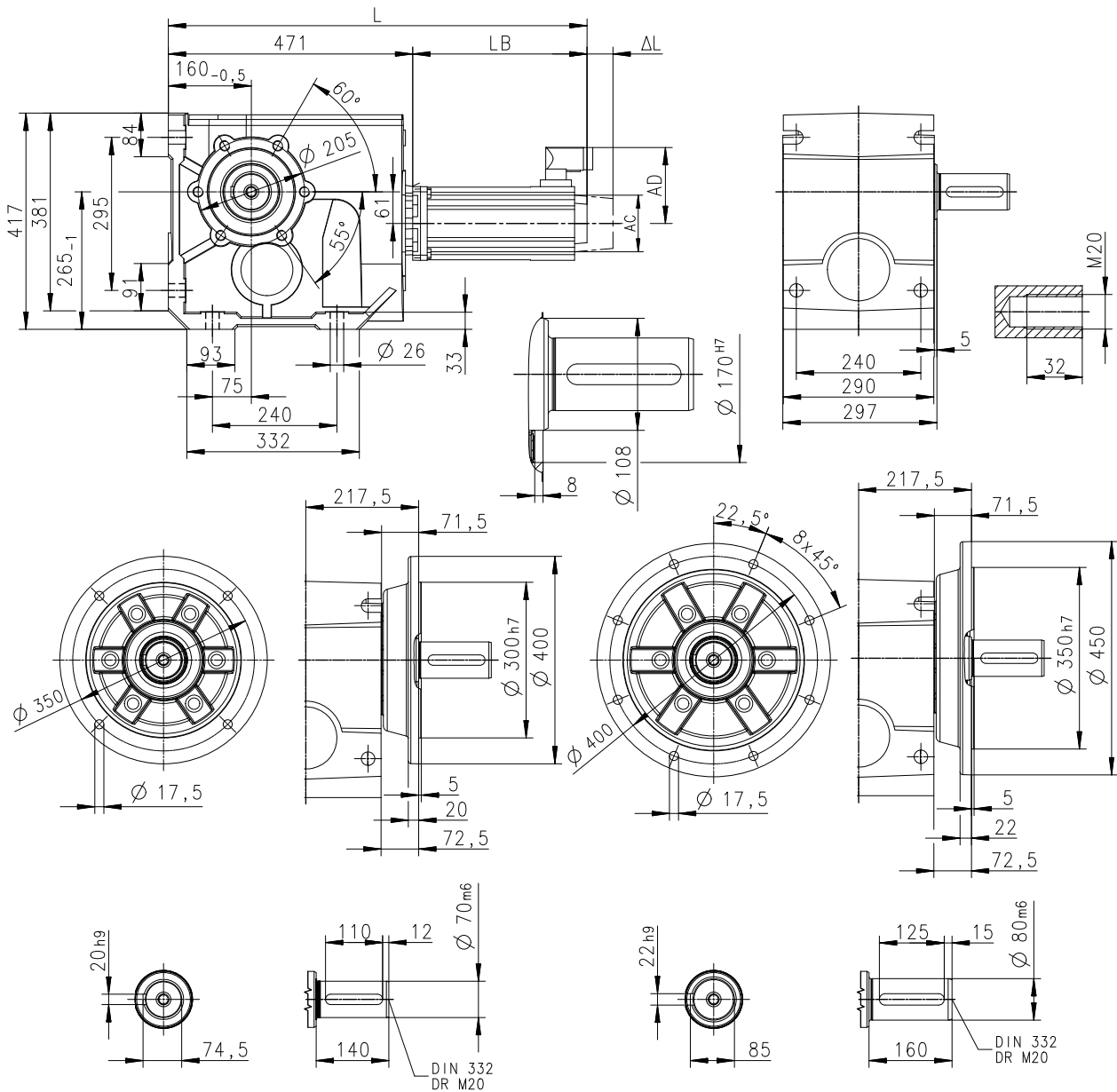
Technical data

Dimensions
Basic dimensions



g500-B4300 with MCS12

Gearbox design: solid shaft, with foot (VAR/VBR/VAK)



8800582-00

Motor			MCS					
			12H34-	12H35- 12H30L	12L17-	12L20- 12L20L	12L39-	12L41- 12L41L
Cooling type			Forced	Natural	Forced	Natural	Forced	Natural
Total length	L	mm	785	712	825	752	825	752
Motor length	LB	mm	314	241	354	281	354	281
Length of motor options	Δ L	mm	63	69	63	69	63	69
Motor diameter	AC	mm	140	116	140	116	140	116
Motor/connection distance	AD	mm	105	105	105	105	105	105

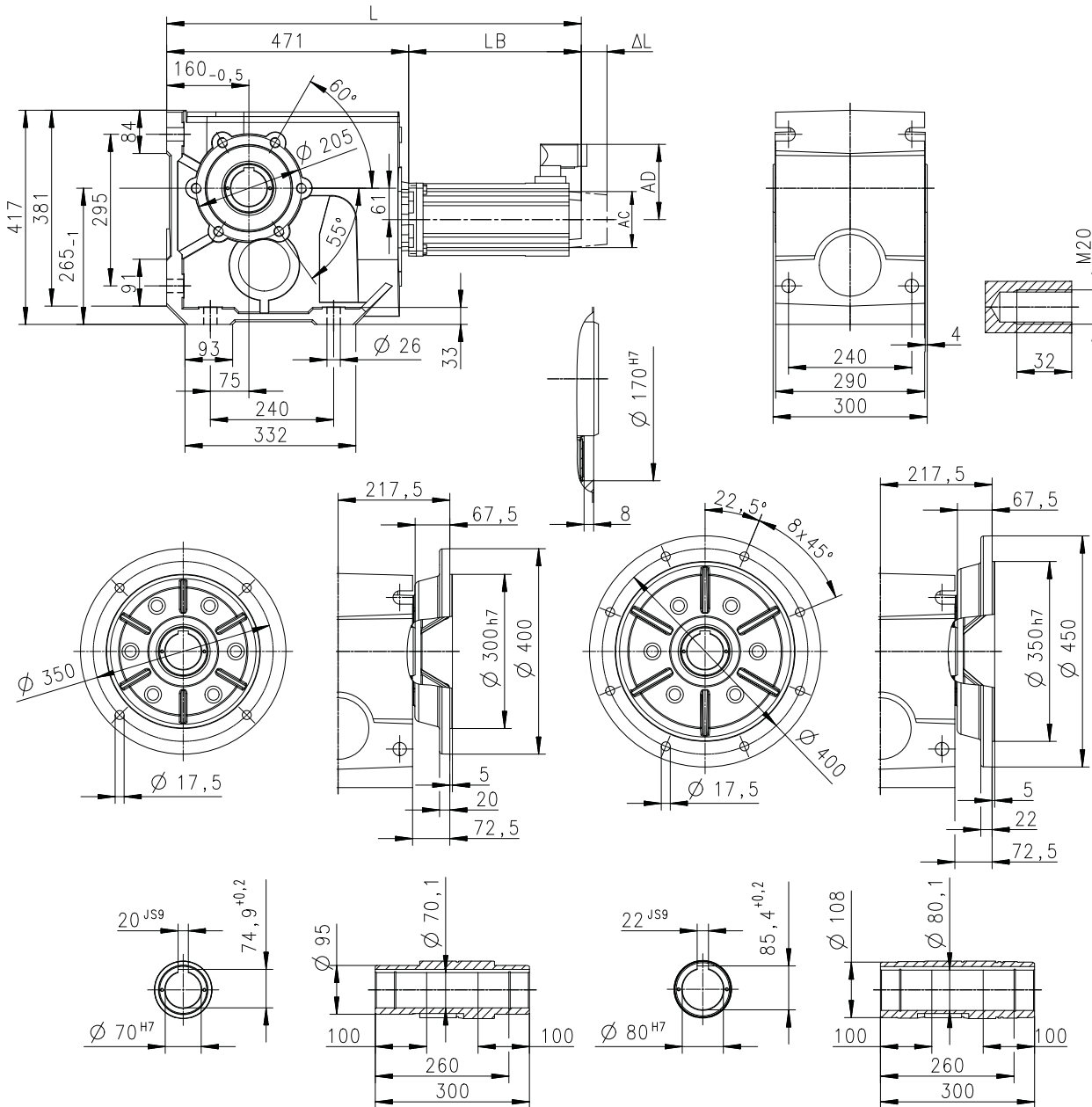


Technical data

Dimensions
Basic dimensions

g500-B4300 with MCS14

Gearbox design: hollow shaft, with foot (HAR/HBR/HAK)



8800581-00

Motor			MCS							
			14D14-	14D15-	14D30-	14D36-	14H12-	14H15-	14H28-	14H32-
Cooling type			Forced	Natural	Forced	Natural	Forced	Natural	Forced	Natural
Total length	L	mm	775	687	775	687	815	727	815	727
Motor length	LB	mm	304	216	304	216	344	256	344	256
Length of motor options	Δ L	mm	82	78	82	78	82	78	82	78
Motor diameter	AC	mm	167	143	167	143	167	143	167	143
Motor/connection distance	AD	mm	117	117	117	117	117	117	146	117

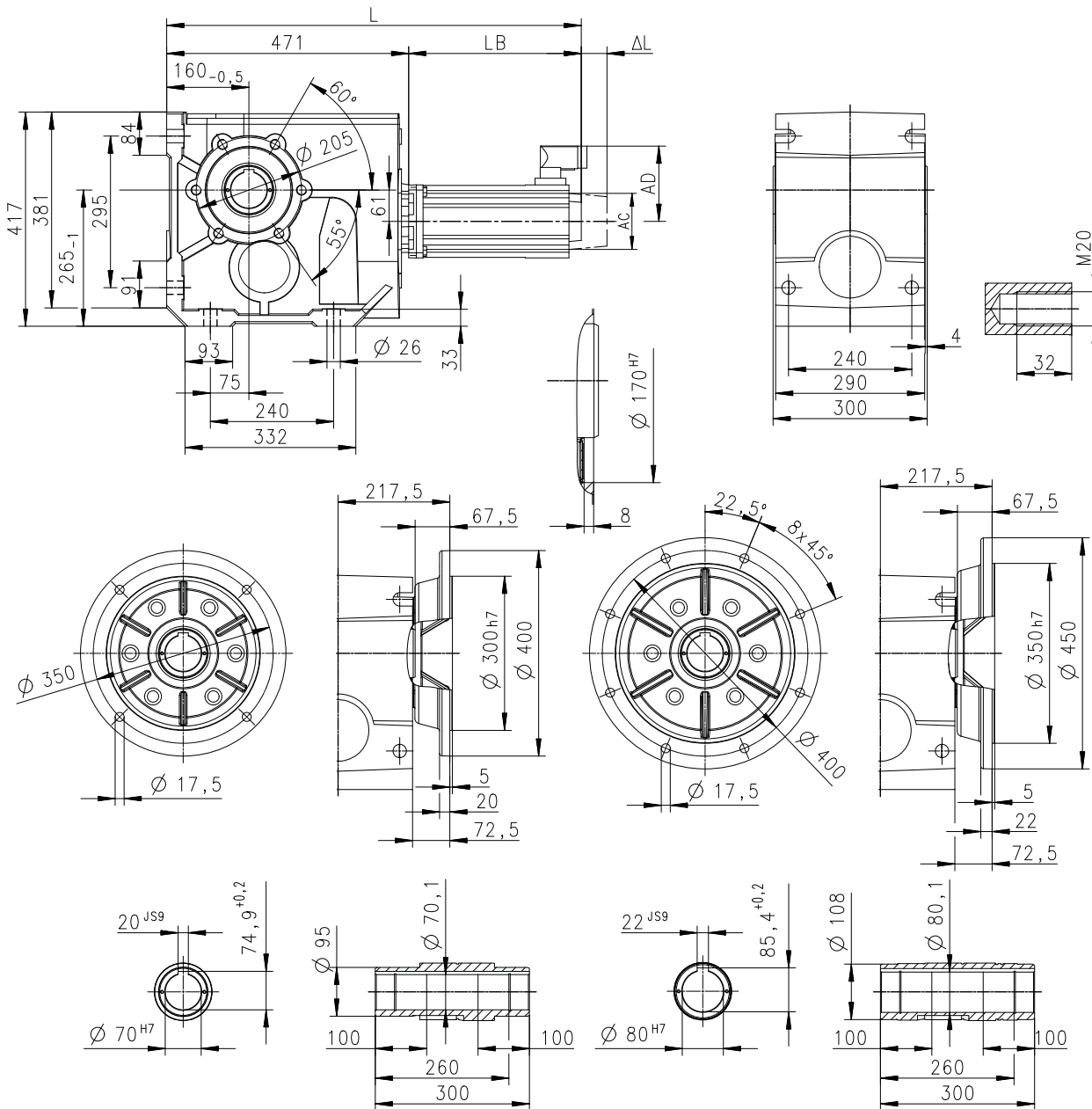
Technical data

Dimensions
Basic dimensions



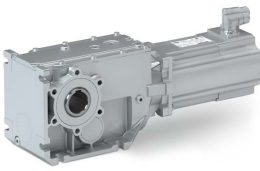
g500-B4300 with MCS14

Gearbox design: hollow shaft, with foot (HAR/HBR/HAK)



8800581-00

Motor			MCS							
			14L14-	14L15-	14L30-	14L32-	14P11-	14P14-	14P26-	14P32-
Cooling type			Forced	Natural	Forced	Natural	Forced	Natural	Forced	Natural
Total length	L	mm	855	767	855	767	895	807	895	807
Motor length	LB	mm	384	296	384	296	424	336	424	336
Length of motor options	Δ L	mm	82	78	82	78	82	78	82	78
Motor diameter	AC	mm	167	143	167	143	167	143	167	143
Motor/connection distance	AD	mm	117	117	146	146	117	117	146	146

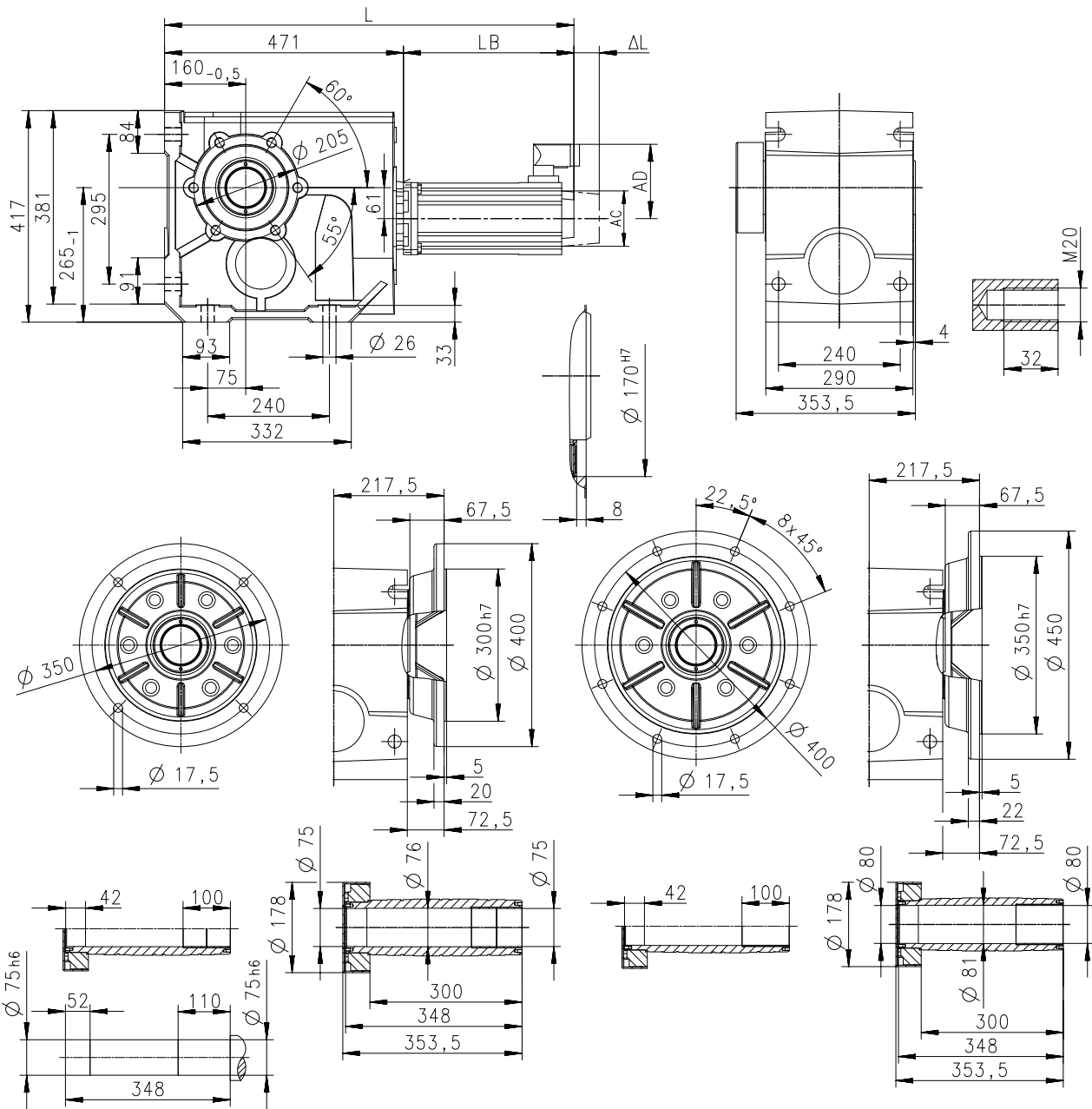


Technical data

Dimensions
Basic dimensions

g500-B4300 with MCS14

Gearbox design: Hollow shaft with shrink disc, with foot (SAR/SBR/SAK)



8800583-00

Motor			MCS							
			14D14-	14D15-	14D30-	14D36-	14H12-	14H15-	14H28-	14H32-
Cooling type			Forced	Natural	Forced	Natural	Forced	Natural	Forced	Natural
Total length	L	mm	775	687	775	687	815	727	815	727
Motor length	LB	mm	304	216	304	216	344	256	344	256
Length of motor options	Δ L	mm	82	78	82	78	82	78	82	78
Motor diameter	AC	mm	167	143	167	143	167	143	167	143
Motor/connection distance	AD	mm	117	117	117	117	117	117	146	117

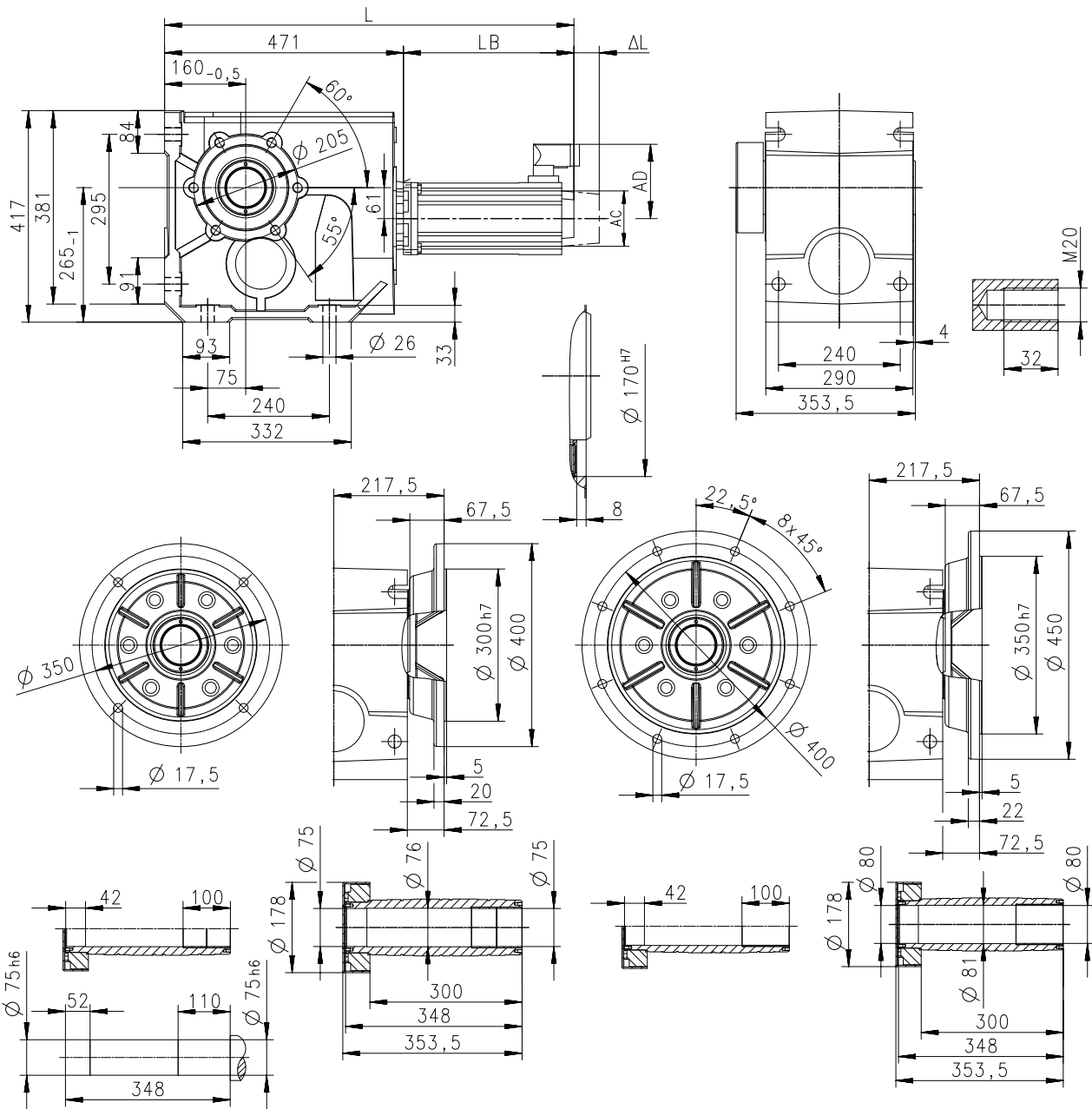
Technical data

Dimensions
Basic dimensions



g500-B4300 with MCS14

Gearbox design: Hollow shaft with shrink disc, with foot (SAR/SBR/SAK)



8800583-00

Motor			MCS							
			14L14-	14L15-	14L30-	14L32-	14P11-	14P14-	14P26-	14P32-
Cooling type			Forced	Natural	Forced	Natural	Forced	Natural	Forced	Natural
Total length	L	mm	855	767	855	767	895	807	895	807
Motor length	LB	mm	384	296	384	296	424	336	424	336
Length of motor options	Δ L	mm	82	78	82	78	82	78	82	78
Motor diameter	AC	mm	167	143	167	143	167	143	167	143
Motor/connection distance	AD	mm	117	117	146	146	117	117	146	146

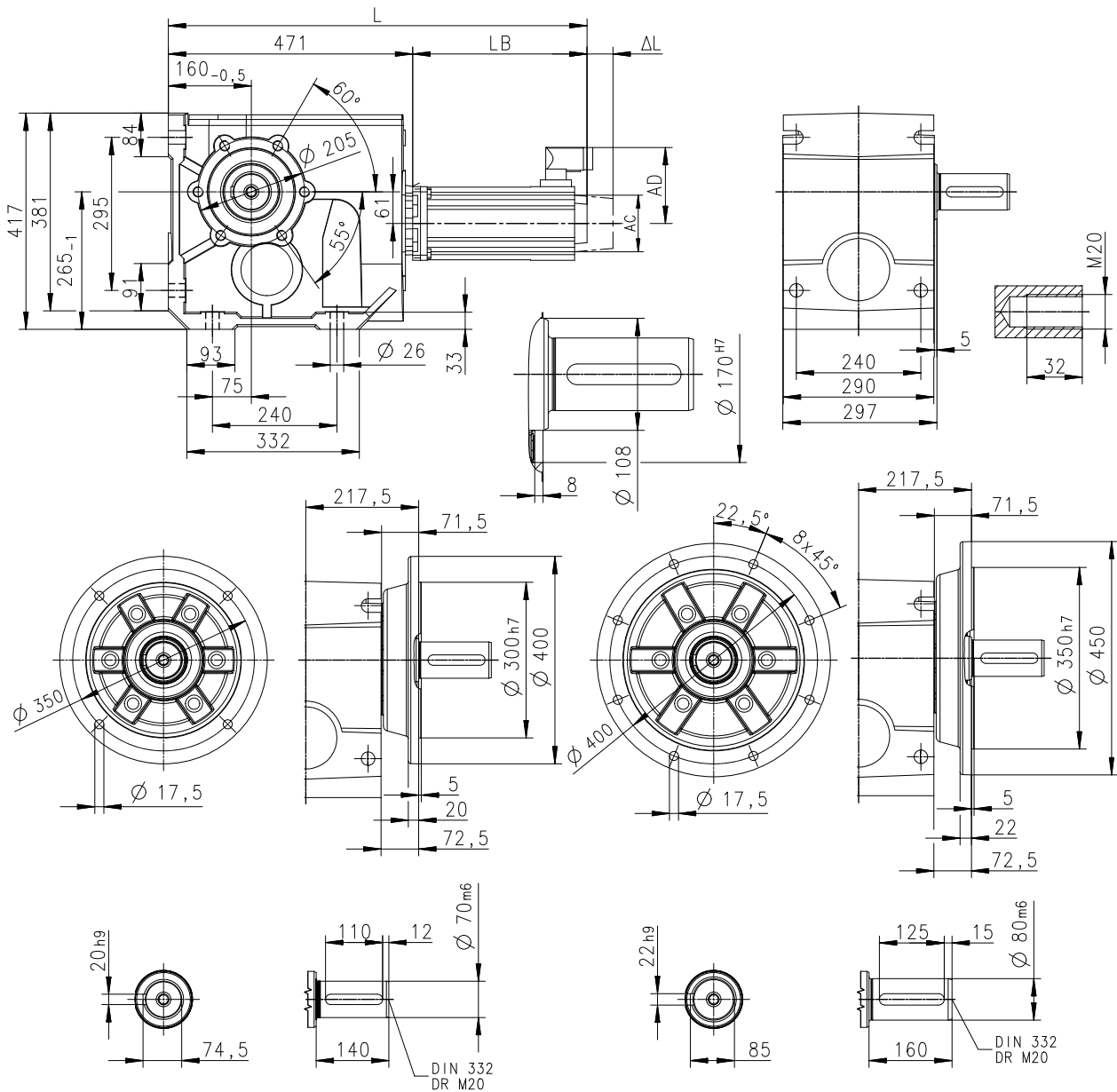


Technical data

Dimensions
Basic dimensions

g500-B4300 with MCS14

Gearbox design: solid shaft, with foot (VAR/VBR/VAK)

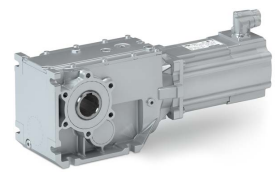


8800582-00

Motor			MCS							
			14D14-	14D15-	14D30-	14D36-	14H12-	14H15-	14H28-	14H32-
Cooling type			Forced	Natural	Forced	Natural	Forced	Natural	Forced	Natural
Total length	L	mm	775	687	775	687	815	727	815	727
Motor length	LB	mm	304	216	304	216	344	256	344	256
Length of motor options	Δ L	mm	82	78	82	78	82	78	82	78
Motor diameter	AC	mm	167	143	167	143	167	143	167	143
Motor/connection distance	AD	mm	117	117	117	117	117	117	146	117

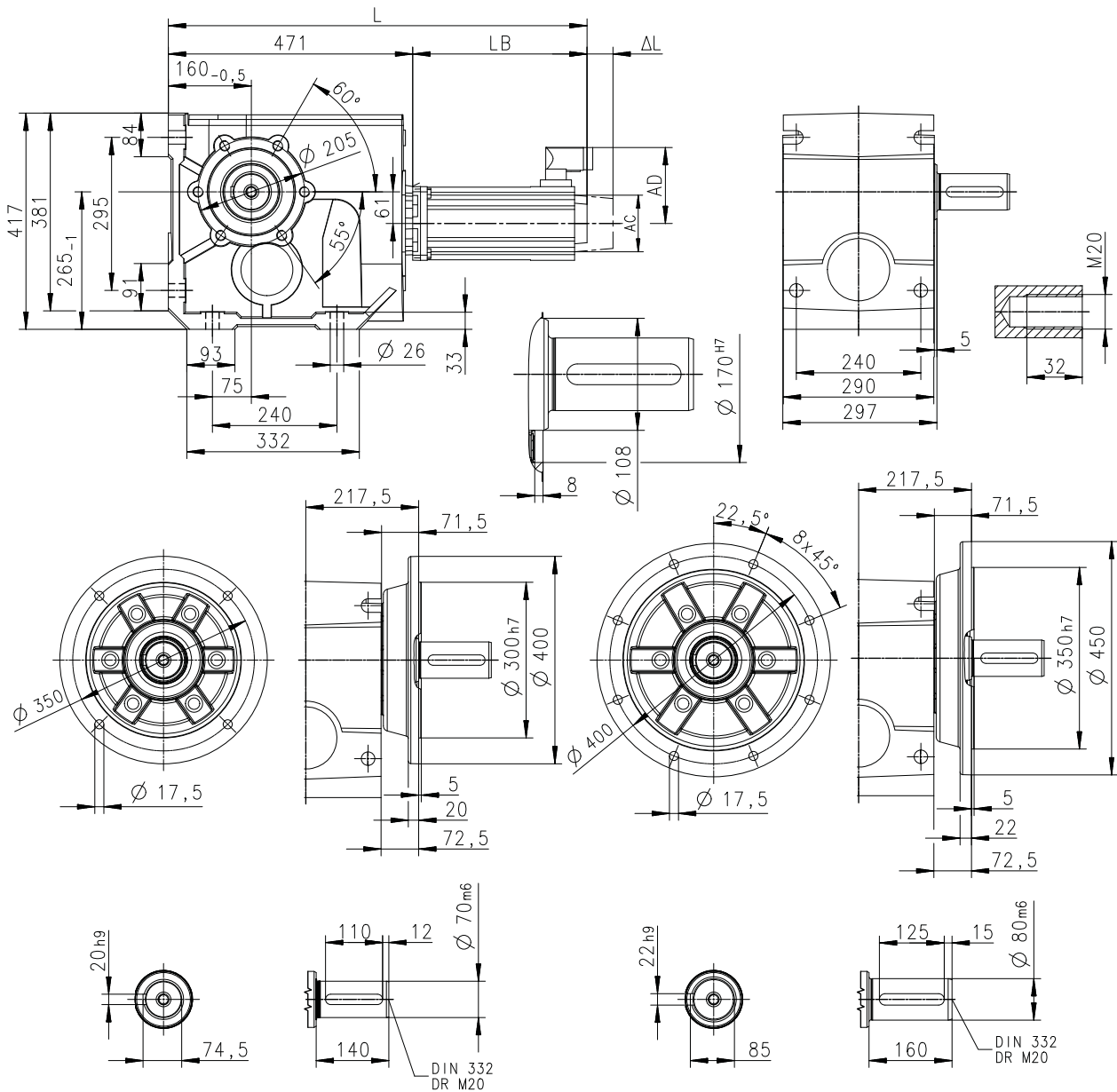
Technical data

Dimensions
Basic dimensions



g500-B4300 with MCS14

Gearbox design: solid shaft, with foot (VAR/VBR/VAK)



8800582-00

Motor			MCS							
			14L14-	14L15-	14L30-	14L32-	14P11-	14P14-	14P26-	14P32-
Cooling type			Forced	Natural	Forced	Natural	Forced	Natural	Forced	Natural
Total length	L	mm	855	767	855	767	895	807	895	807
Motor length	LB	mm	384	296	384	296	424	336	424	336
Length of motor options	Δ L	mm	82	78	82	78	82	78	82	78
Motor diameter	AC	mm	167	143	167	143	167	143	167	143
Motor/connection distance	AD	mm	117	117	146	146	117	117	146	146

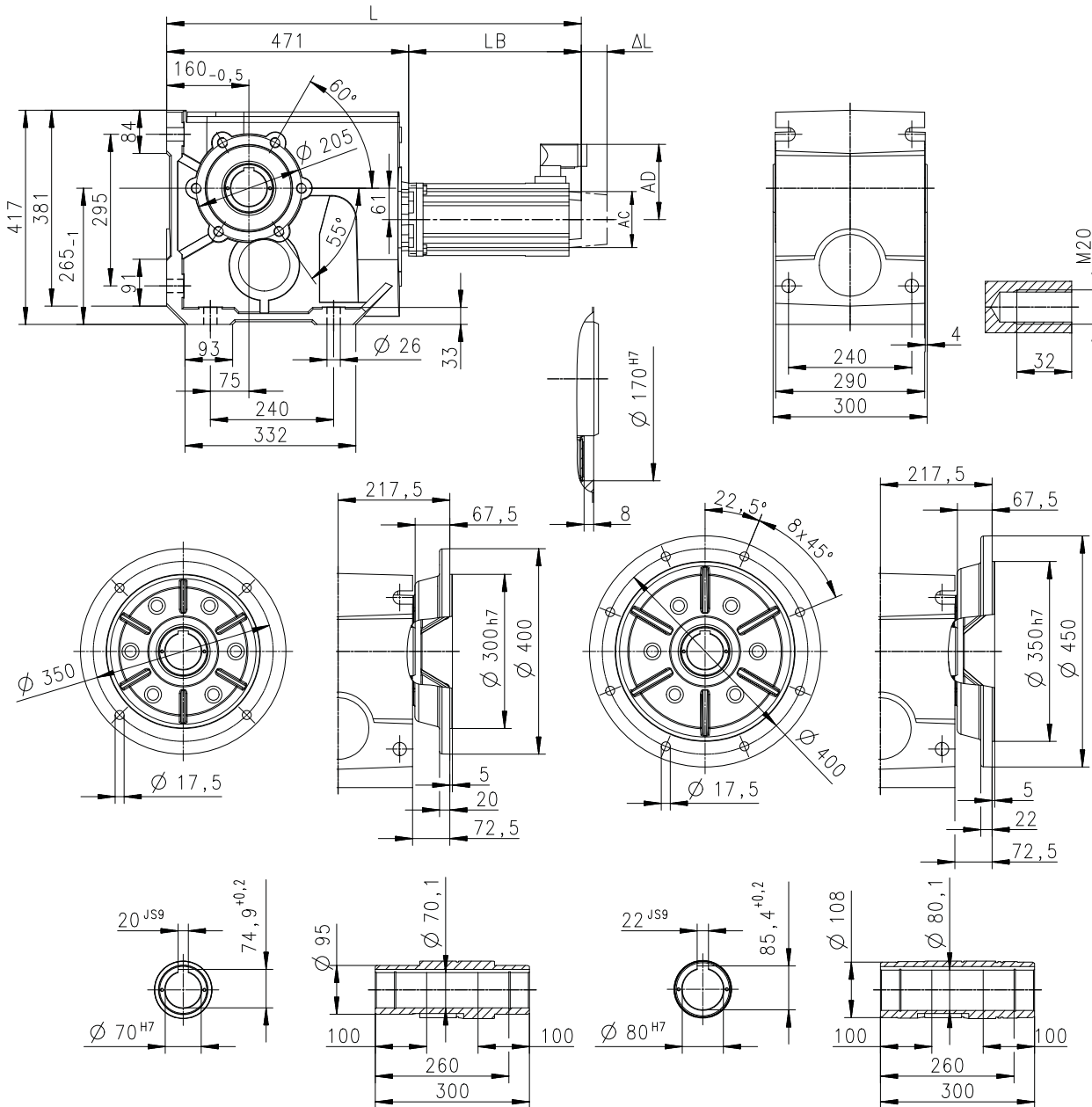


Technical data

Dimensions
Basic dimensions

g500-B4300 with MCS19

Gearbox design: hollow shaft, with foot (HAR/HBR/HAK)

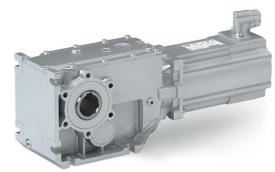


8800581-00

Motor			MCS									
			19F12-	19F14-	19F29-	19F30-	19J14-	19J29-	19J30-	19P14-	19P29-	19P30-
Cooling type			Forced	Natural	Forced	Natural	Natural	Forced	Natural	Natural	Forced	Natural
Total length	L	mm	833	726	833	726	766	873	766	826	873	826
Motor length	LB	mm	362	255	362	255	295	402	295	355	402	355
Length of motor options	Δ L	mm	72	93	72	93	93	72	93	93	72	93
Motor diameter	AC	mm	212	192	212	192	192	212	192	192	212	192
Motor/connection distance	AD	mm	142	142	171	171	142	171	171	142	171	171

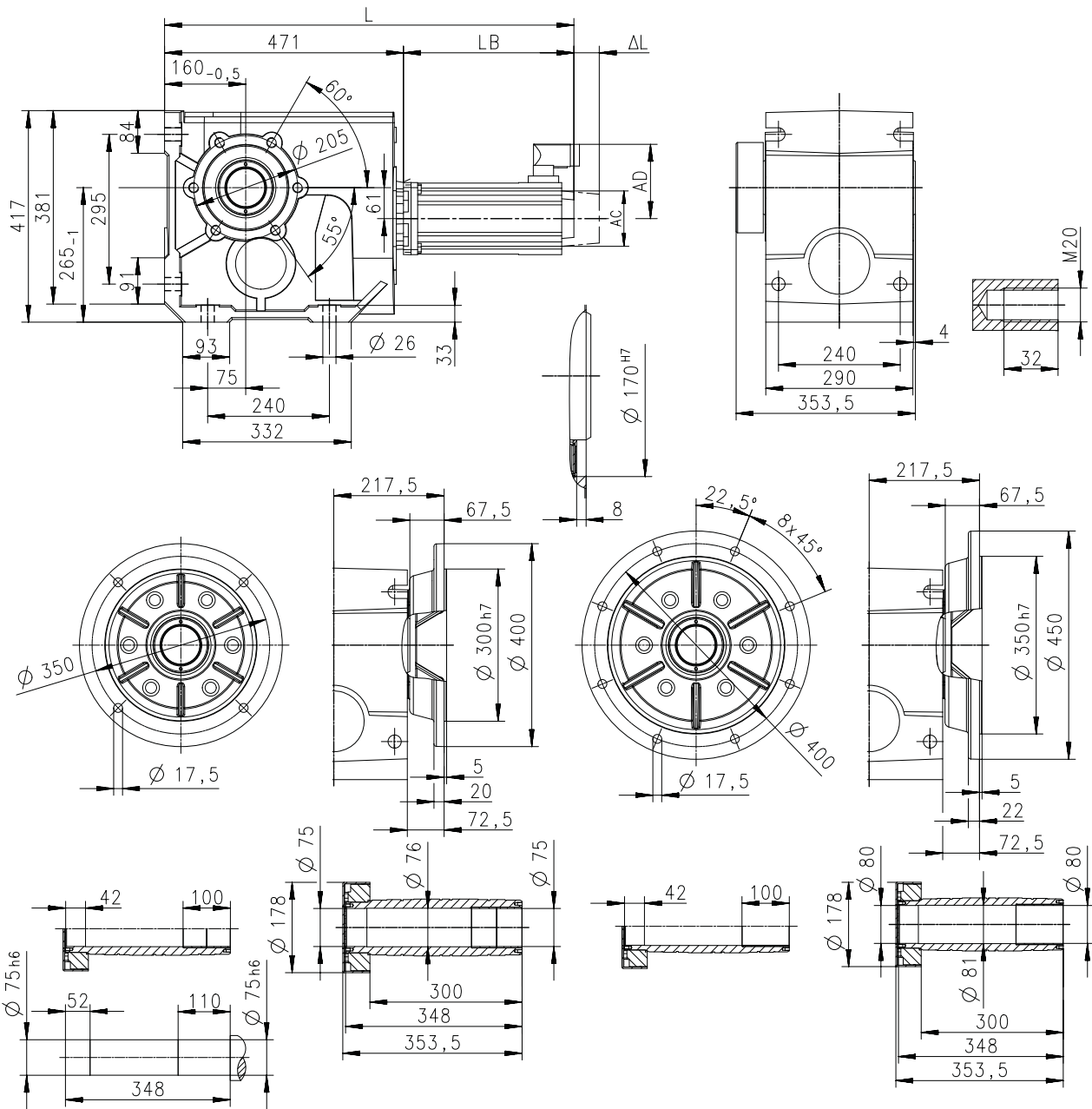
Technical data

Dimensions
Basic dimensions



g500-B4300 with MCS19

Gearbox design: Hollow shaft with shrink disc, with foot (SAR/SBR/SAK)



8800583-00

Motor			MCS									
			19F12-	19F14-	19F29-	19F30-	19J14-	19J29-	19J30-	19P14-	19P29-	19P30-
Cooling type			Forced	Natural	Forced	Natural	Natural	Forced	Natural	Natural	Forced	Natural
Total length	L	mm	833	726	833	726	766	873	766	826	873	826
Motor length	LB	mm	362	255	362	255	295	402	295	355	402	355
Length of motor options	Δ L	mm	72	93	72	93	93	72	93	93	72	93
Motor diameter	AC	mm	212	192	212	192	192	212	192	192	212	192
Motor/connection distance	AD	mm	142	142	171	171	142	171	171	142	171	171

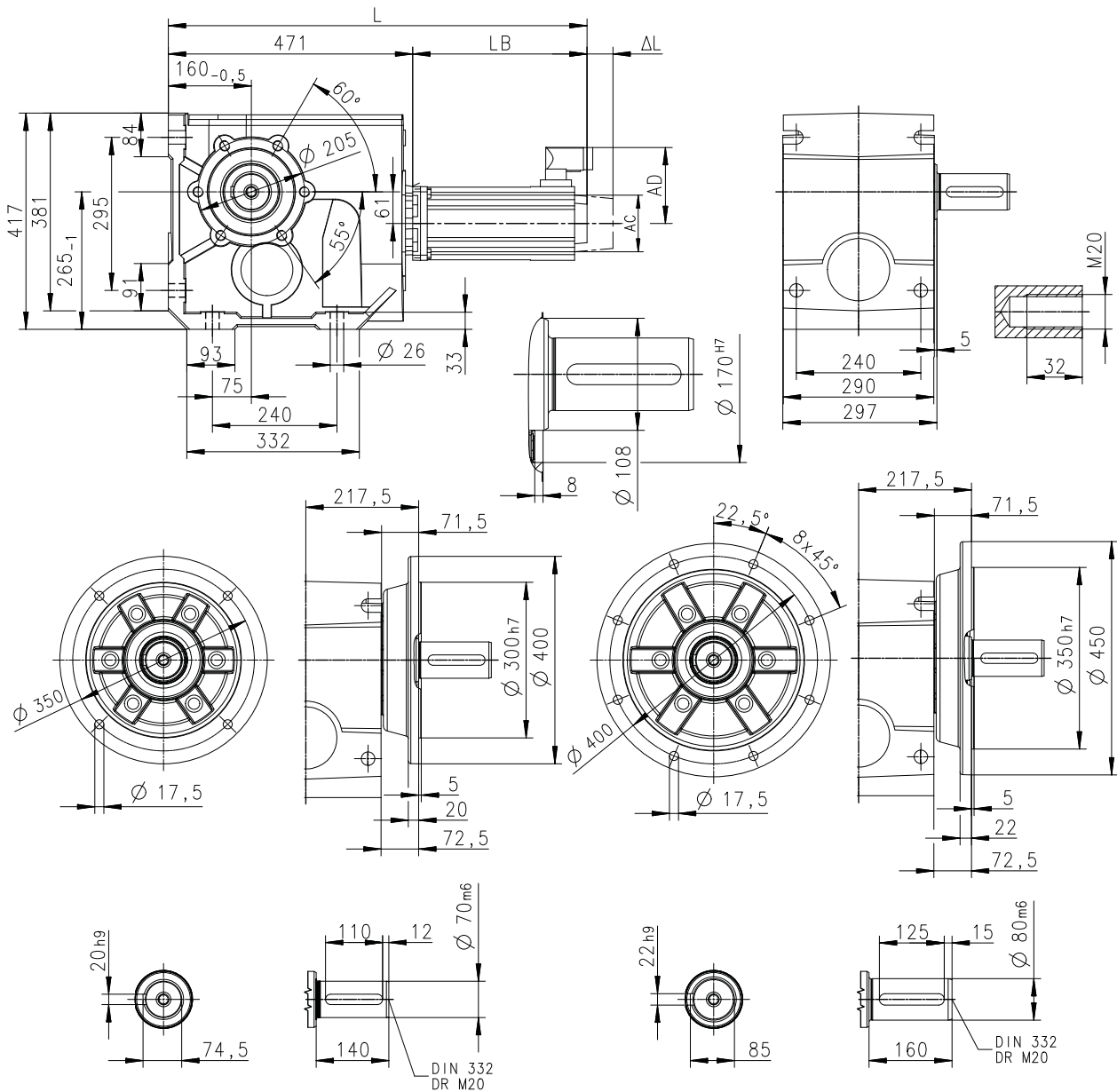


Technical data

Dimensions
Basic dimensions

g500-B4300 with MCS19

Gearbox design: solid shaft, with foot (VAR/VBR/VAK)



8800582-00

Motor			MCS									
			19F12-	19F14-	19F29-	19F30-	19J14-	19J29-	19J30-	19P14-	19P29-	19P30-
Cooling type			Forced	Natural	Forced	Natural	Natural	Forced	Natural	Natural	Forced	Natural
Total length	L	mm	833	726	833	726	766	873	766	826	873	826
Motor length	LB	mm	362	255	362	255	295	402	295	355	402	355
Length of motor options	Δ L	mm	72	93	72	93	93	72	93	93	72	93
Motor diameter	AC	mm	212	192	212	192	192	212	192	192	212	192
Motor/connection distance	AD	mm	142	142	171	171	142	171	171	142	171	171

Technical data

Dimensions
Additional lengths



Additional lengths

Product extensions



The motor code indicates the short designation of the brake and feedback. Detailed information can be found for

- ▶ [Product codes](#) 329
- ▶ [Permanent magnet brakes](#) 320
- ▶ [Feedback](#) 322

MCS06

Motor			MCS		
			06C41- 06C41L	06F41- 06F41L	06I41- 06I41L
Cooling type			Natural	Natural	Natural
Feedback (without brake B0)					
R□0 / C40	Δ L	mm	0		
SR□ / SV□ / E□□	Δ L	mm	82		
SKM	Δ L	mm	35		
Brake (P1/P2) and feedback					
R□0 / C40	Δ L	mm	19		
SR□ / SV□ / E□□	Δ L	mm	100		
SKM	Δ L	mm	54		

MCS09

Motor			MCS			
			09D41- 09D41L	09F38- 09F38L	09H41- 09H41L	09L41- 09L41L
Cooling type			Natural	Natural	Natural	Natural
Feedback (without brake B0)						
R□0 / C40	Δ L	mm	0			
SR□ / SV□ / E□□	Δ L	mm	51			
SKM	Δ L	mm	20			
Brake (P1/P2) and feedback						
R□0 / C40	Δ L	mm	20			
SR□ / SV□ / E□□	Δ L	mm	71			
SKM	Δ L	mm	40			

MCS12

Motor			MCS									
			12D17-	12D20- 12D20L	12D35-	12D41- 12D41L	12H14-	12H15- 12H15L 12H30L	12H34-	12H35-	12L17- 12L39-	12L20- 12L20L 12L41- 12L41L
Cooling type			Forced	Natural	Forced	Natural	Forced	Natural	Forced	Natural	Forced	Natural
Feedback (without brake B0)												
R□0 / C40	Δ L	mm	0	0	0	0	0	0	0	0	0	0
SR□ / SV□ / E□□	Δ L	mm	43	49	43	49	43	49	43	49	43	49
SKM	Δ L	mm		20		20		20		20		20
Brake (P1/P2) and feedback												
R□0 / C40	Δ L	mm	20	20	20	20	20	20	20	20	20	20
SR□ / SV□ / E□□	Δ L	mm	63	69	63	69	63	69	63	69	63	69
SKM	Δ L	mm		40		40		40		40		40



Technical data

Dimensions
Additional lengths

MCS14

Motor			MCS							
			14D14-	14D15-	14D30-	14D36-	14H12-	14H15-	14H28-	14H32-
Cooling type			Forced	Natural	Forced	Natural	Forced	Natural	Forced	Natural
Feedback (without brake B0)										
R□0 / C40	Δ L	mm	0	0	0	0	0	0	0	0
SR□ / SV□ / E□□	Δ L	mm	53	50	53	50	53	50	53	50
SKM	Δ L	mm		18		18		18		18
Brake (P1/P2) and feedback										
R□0 / C40	Δ L	mm	29	28	29	28	29	28	29	28
SR□ / SV□ / E□□	Δ L	mm	82	78	82	78	82	78	82	78
SKM	Δ L	mm		46		46		46		46

MCS19

Motor			MCS									
			19F12-	19F14-	19F29-	19F30-	19J14-	19J29-	19J30-	19P14-	19P29-	19P30-
Cooling type			Forced	Natural	Forced	Natural	Natural	Forced	Natural	Natural	Forced	Natural
Feedback (without brake B0)												
R□0 / C40	Δ L	mm	0	0	0	0	0	0	0	0	0	0
SR□ / SV□ / E□□	Δ L	mm	72	49	72	49	49	72	49	49	72	49
SKM	Δ L	mm		19		19	19		19	19		19
Brake (P1/P2) and feedback												
R□0 / C40	Δ L	mm	34	34	34	34	34	34	34	34	34	34
SR□ / SV□ / E□□	Δ L	mm	72	93	72	93	93	72	93	93	72	93
SKM	Δ L	mm		63		63	63		63	63		63

Technical data

Weights
Basic weights



Weights

Basic weights

2-stage gearboxes

Geared motor			MCS										
			06C41- 06C41L	06F41- 06F41L	06I41- 06I41L	09D41- 09D41L	09F38- 09F38L	09H41- 09H41L	09L41- 09L41L	12D17- 12D17L	12D20- 12D20L	12D35- 12D35L	12D41- 12D41L
			Cooling										
			Natural	Natural	Natural	Natural	Natural	Natural	Natural	Forced	Natural	Forced	Natural
g500-B45	m	kg	5,3	5,7	6,4								
g500-B110	m	kg	6,9	7,3	8,0	9,3	10	11	13				
g500-B240	m	kg	11	12	12	14	15	15	17	18	16	18	16

Geared motor			MCS							
			12H14- 12H14L	12H15- 12H15L	12H34- 12H34L	12H35- 12H35L	12L17- 12L17L	12L20- 12L20L	12L39- 12L39L	12L41- 12L41L
			Cooling							
			Forced	Natural	Forced	Natural	Forced	Natural	Forced	Natural
g500-B240	m	kg	21	19	21	19	24	22	24	22



Technical data

Weights
Basic weights

3-stage gearboxes

Geared motor			MCS										
			06C41- 06C41L	06F41- 06F41L	06I41- 06I41L	09D41- 09D41L	09F38- 09F38L	09H41- 09H41L	09L41- 09L41L	12D17-	12D20- 12D20L	12D35-	12D41- 12D41L
			Cooling										
			Natural	Natural	Natural	Natural	Natural	Natural	Natural	Forced	Natural	Forced	Natural
g500-B240	m	kg	11	12	12	14	15	16	17				
g500-B450	m	kg	14	15	15	17	18	19	20	21	19	21	19
g500-B600	m	kg	32	33	34	35	36	37	39	39	37	39	37
g500-B820	m	kg	38	38	39	40	41	42	44	44	42	44	42
g500-B1500	m	kg				70	71	72	74	75	73	75	73
g500-B2700	m	kg								116	114	116	114
g500-B4300	m	kg								178	176	178	176

Geared motor			MCS											
			12H14-	12H15- 12H15L	12H34-	12H35- 12H30L	12L17-	12L20- 12L20L	12L39-	12L41- 12L41L	14D14-	14D15-	14D30-	14D36-
			Cooling											
			Forced	Natural	Forced	Natural	Forced	Natural	Forced	Natural	Forced	Natural	Forced	Natural
g500-B450	m	kg	24	22	24	22	27	25	27	25	27	24	27	24
g500-B600	m	kg	42	40	42	40	46	43	46	43	45	42	45	42
g500-B820	m	kg	48	45	48	45	51	49	51	49	51	47	51	47
g500-B1500	m	kg	78	76	78	76	81	79	81	79	81	77	81	77
g500-B2700	m	kg	119	117	119	117	122	120	122	120	122	118	122	118
g500-B4300	m	kg	181	179	181	179	184	182	184	182	184	180	184	180

Geared motor			MCS											
			14H12-	14H15-	14H28-	14H32-	14L14-	14L15-	14L30-	14L32-	14P11-	14P14-	14P26-	14P32-
			Cooling											
			Forced	Natural	Forced	Natural	Forced	Natural	Forced	Natural	Forced	Natural	Forced	Natural
g500-B450	m	kg	32	28	32	28	37	33	37	33	42	38	42	38
g500-B600	m	kg	50	46	50	46	55	51	55	51	60	56	60	56
g500-B820	m	kg	56	52	56	52	60	56	60	56	65	61	65	61
g500-B1500	m	kg	86	82	86	82	90	86	90	86	95	91	95	91
g500-B2700	m	kg	127	123	127	123	131	128	131	128	136	132	136	132
g500-B4300	m	kg	189	185	189	185	194	190	194	190	199	194	199	194

Geared motor			MCS									
			19F12-	19F14-	19F29-	19F30-	19J14-	19J29-	19J30-	19P14-	19P29-	19P30-
			Cooling									
			Forced	Natural	Forced	Natural	Natural	Forced	Natural	Natural	Forced	Natural
g500-B1500	m	kg	99	93	99	93	100	106	100	110	106	110
g500-B2700	m	kg	140	134	140	134	141	147	141	151	147	151
g500-B4300	m	kg	202	196	202	196	203	209	203	213	209	213

Technical data

Weights

Additional weights



Additional weights

Gearbox

Gearbox			g500-B45	g500-B110	g500-B240	g500-B450
Solid shaft	m	kg	0.4	0.5	1.4	1.0
Shrink disc	m	kg	0.2	0.2	0.7	0.6
Flange	m	kg	0.3	0.4	0.7	0.9

Gearbox			g500-B600	g500-B820	g500-B1500	g500-B2700	g500-B4300
Solid shaft	m	kg	1.5	1.9	3.7	6.0	15.5
Shrink disc	m	kg	0.6	1.2	1.7	2.3	4.3
Flange	m	kg	6.1	6.1	11.5	15.0	29.0

Motors

Motor			MCS06C MCS06F MCS06I	MCS09D MCS09F MCS09H MCS09L	MCS12D MCS12H MCS12L	MCS14D MCS14H MCS14L MCS14P	MCS19F	MCS19J MCS19P
Permanent magnet holding brake								
Standard braking torque	m	kg	0.3	0.8	0.9	1.9	3.1	
Increased braking torque	m	kg		0.8	1.2	3.1		4.3



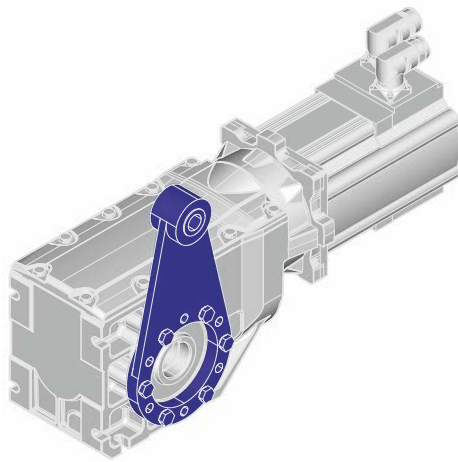
Product extensions

Torque plates

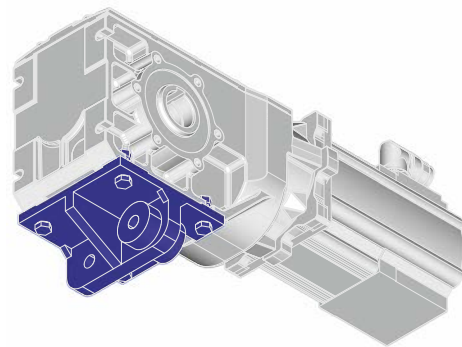
The torque support is usually effected by means of the foot or flange. The torque plates that can be fitted are another possibility. In this case, the torque support is provided only via one point and is suitable for shaft-mounted gearboxes, among other things. Supplied rubber buffers ensure a stress-free installation and absorb slight impacts.

The torque plates are available in two versions, for being installed at the existing threaded pitch circle or for the foot at the gearbox.

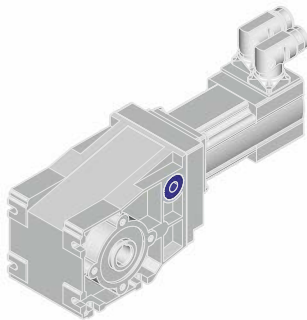
In addition, torque support for the g500-B45 gearbox can be effected via the holding fixture of the housing which is integrated on both sides.



Torque plate on threaded pitch circle



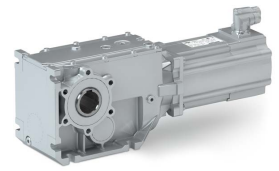
Torque plate at housing foot



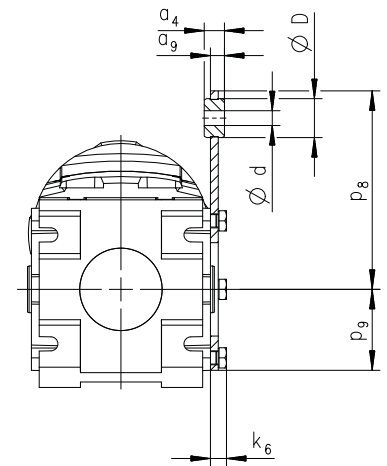
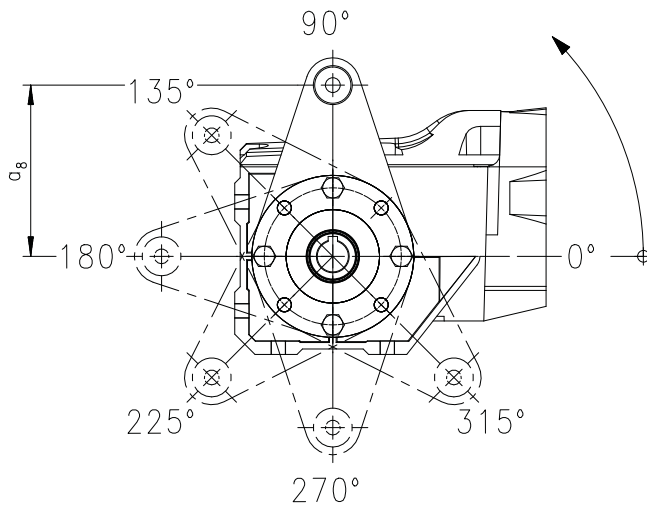
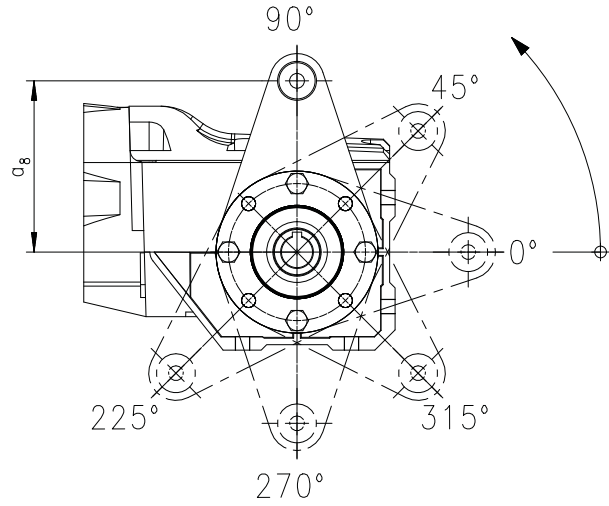
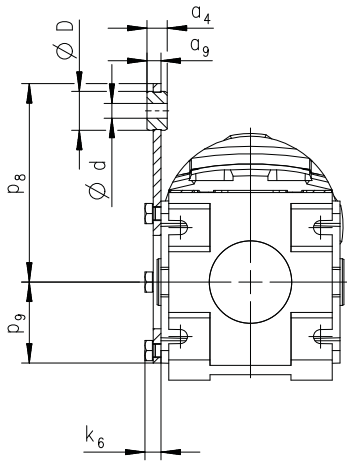
Rubber buffer for torque plate
Only with g500-B45 gearbox

Product extensions

Torque plates



Torque plate on threaded pitch circle g500-B45 ...B110



e4001537-00

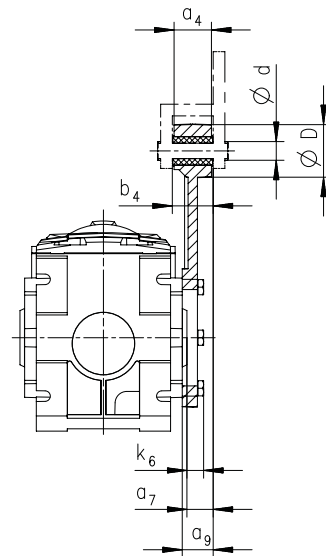
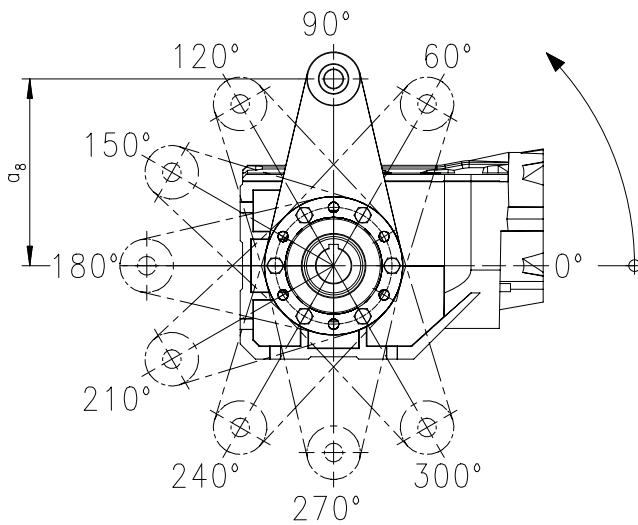
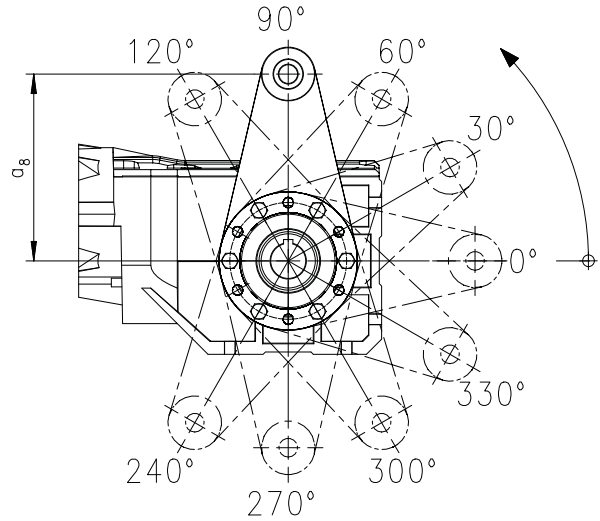
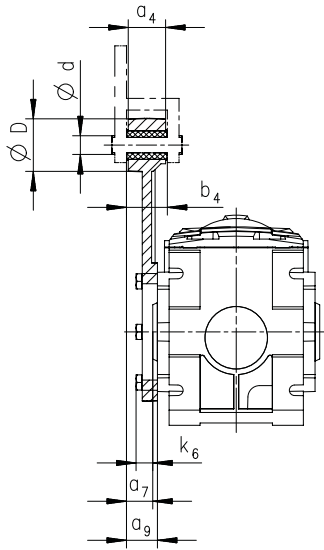
Gearbox	Dimensions								Mass
	a_4	a_8	a_9	d	D	p_8	p_9	k_6	m
	mm	mm	mm	mm	mm	mm	mm	mm	kg
g500-B45	12.0	100	8.0	8.0	20.0	115	42.0	9.0	0.3
g500-B110	13.0	110	9.0	10.0	25.0	128	54.0	11.0	0.5



Product extensions

Torque plates

g500-B240 ... B450

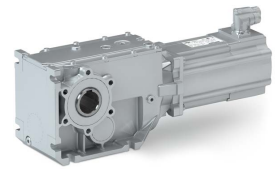


e4001538-00

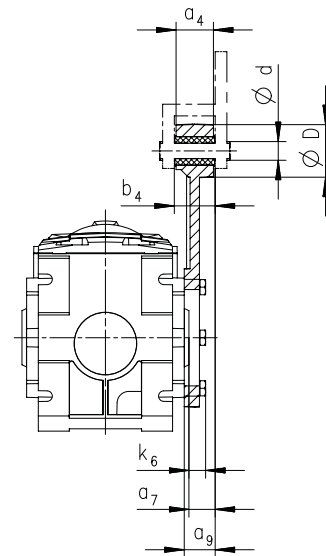
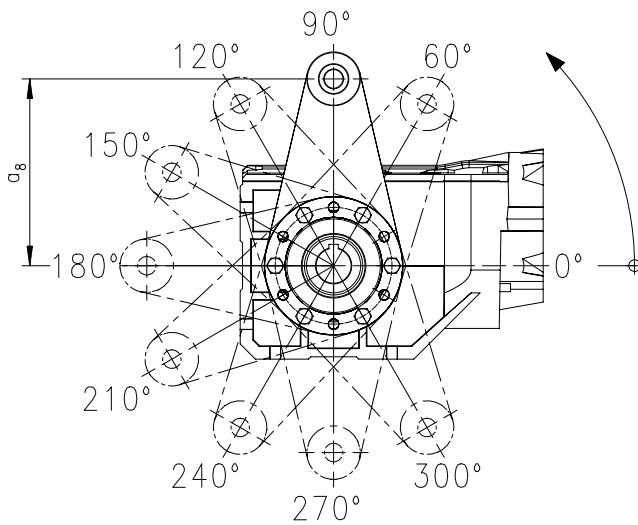
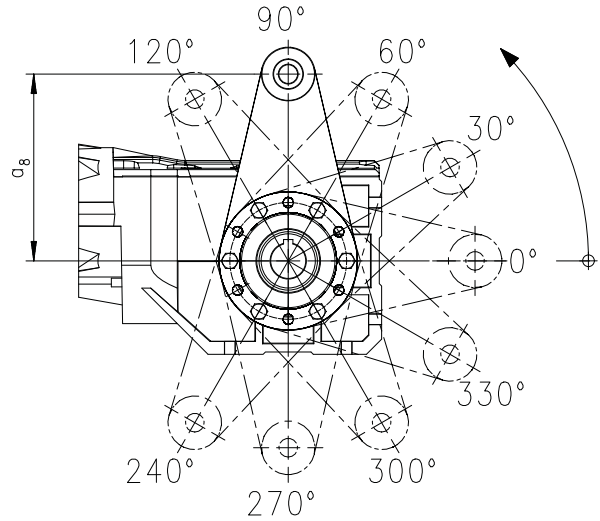
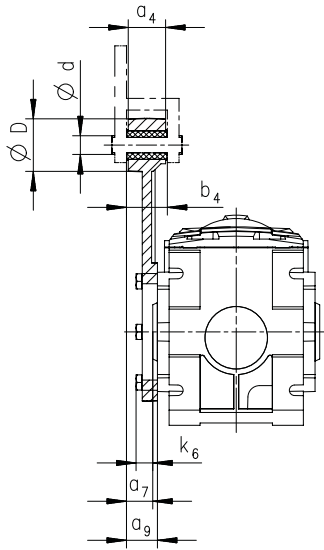
Gearbox	Dimensions								Mass
	a ₄	a ₇	a ₈	a ₉	b ₄	d	D	k ₆	m
	mm	mm	mm	mm	mm	mm	mm	mm	kg
g500-B240	34.0	23.5	160	27.5	38.5	16.0	45.0	15.0	1.3
g500-B450	40.0	29.0	200	32.0	44.5	20.0	50.0	18.0	2.5
g500-B600	38.0	26.5	200	31.5	40.0	20.0	50.0	19.0	2.5

Product extensions

Torque plates



g500-B820 ... B1500

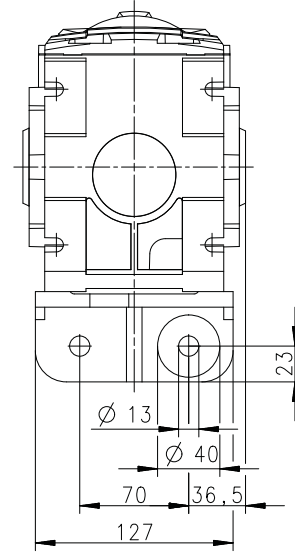
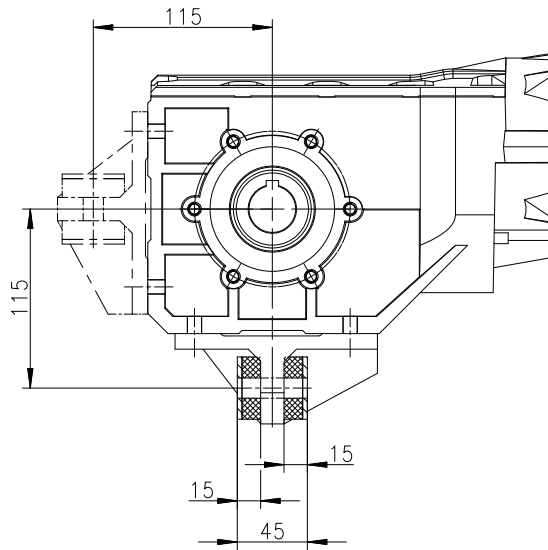


e4001538-00

Gearbox	Dimensions								Mass
	a ₄	a ₇	a ₈	a ₉	b ₄	d	D	k ₆	m
	mm	mm	mm	mm	mm	mm	mm	mm	kg
g500-B820	38.0	28.0	200	31.5	40.0	20.0	50.0	20.5	2.5
g500-B1500	44.0	32.0	250	36.0	46.0	25.0	65.0	24.0	4.5

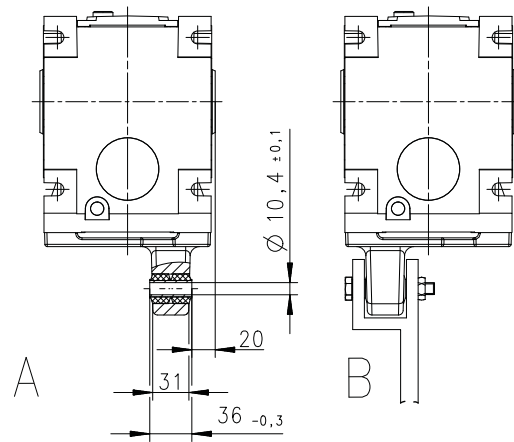
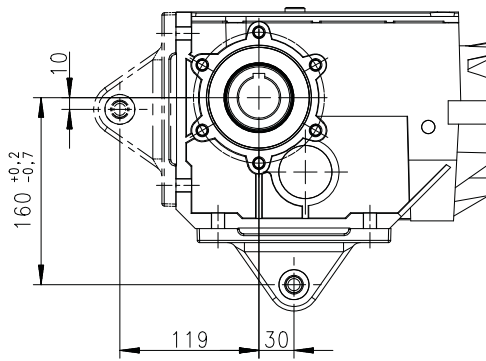


Torque plate at housing foot
g500-B240



e4001541-00

g500-B450



e4001554-00.001

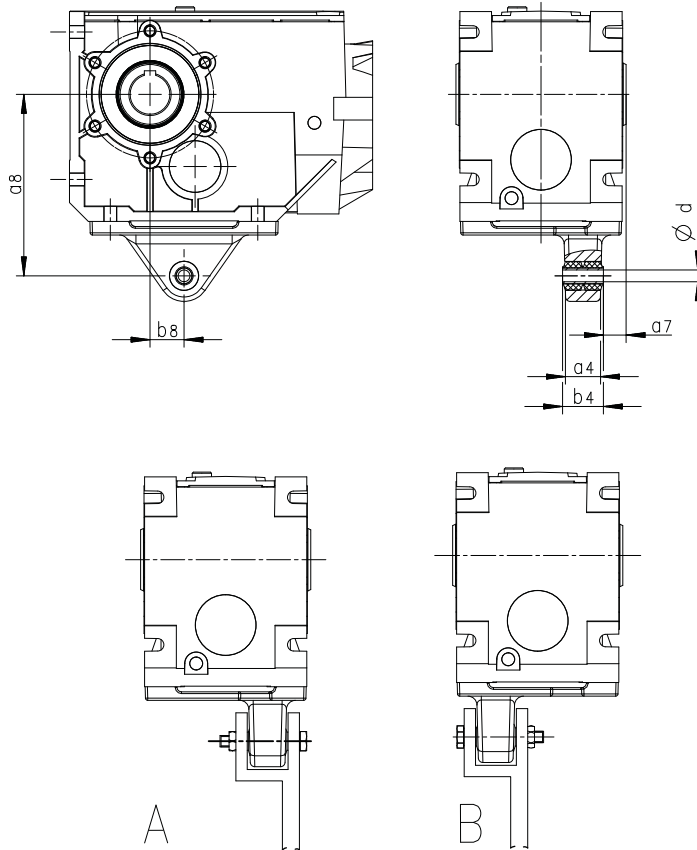
Gearbox	Mass	
	m	
	kg	
g500-B240	2.4	
g500-B450	1.1	

Product extensions

Torque plates



g500-B600 ... B4300

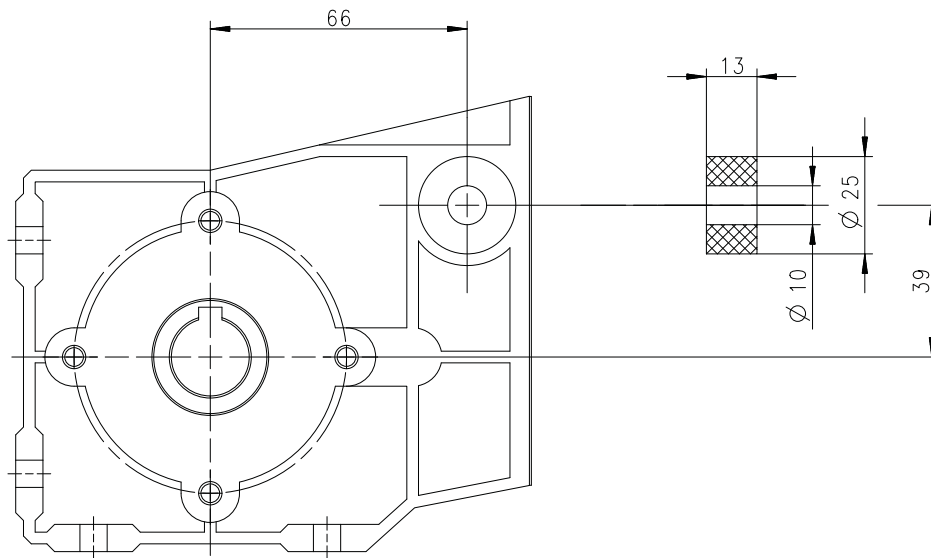


e4002718-00.001

Gearbox	Dimensions						Mass
	d	a ₈	b ₈	a ₄	b ₄	a ₇	m
	mm	mm	mm	mm	mm	mm	kg
g500-B600	16.4	192	40.0	55.0	60.0	18.0	2.8
g500-B820	16.4	200	45.0	55.0	60.0	25.0	3.0
g500-B1500	16.4	250	52.5	55.0	60.0	25.0	4.3
g500-B2700	25.0	300	60.0	72.0	80.0	30.0	10.0
g500-B4300	25.0	350	70.0	92.0	100	40.0	13.0

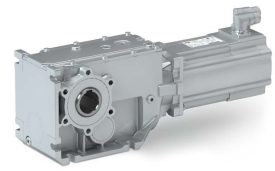


**Rubber buffer for torque plate
g500-B45**



Product extensions

Shaft covers

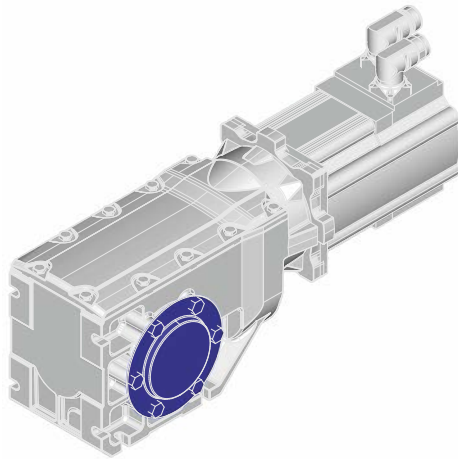


Shaft covers

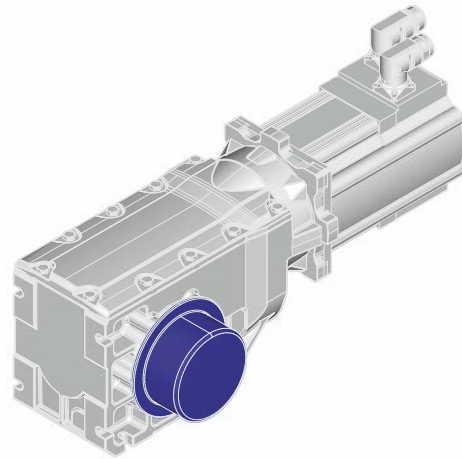
The hoseproof hollow shaft cover protects the hollow shaft from objects falling in. It is sealed by a flat gasket between cover and housing. Thus, the hollow shaft is protected from dust and water jets.

The cover is loosely enclosed and can be mounted on both sides of the hollow shaft bore.

The optional shrink disc cover is provided for the shrink disc to be protected from contact.



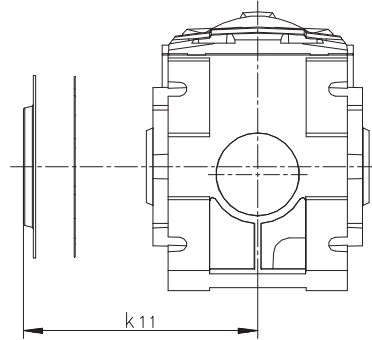
Hoseproof hollow shaft cover



Shrink disc cover



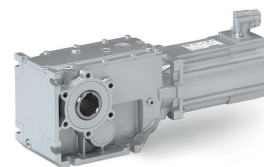
Hoseproof hollow shaft cover
g500-B45 B4300



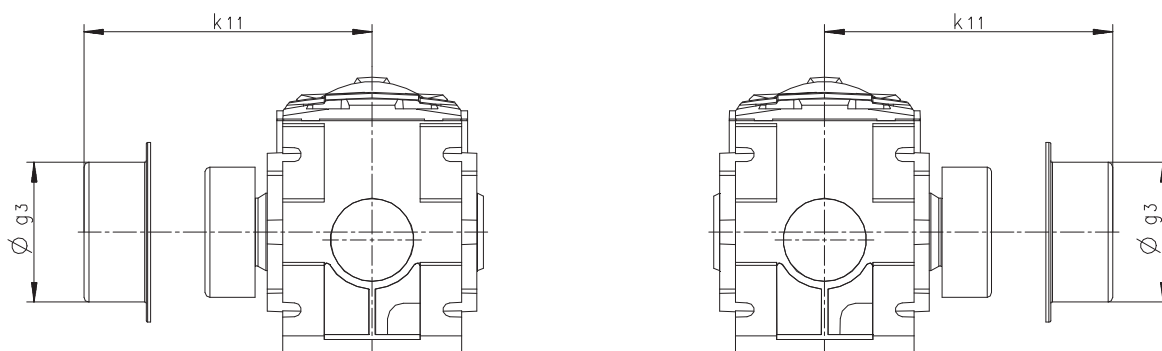
Product	Dimensions	Mass
	k_{11}	m
	mm	kg
g500-B45	55.0	0.1
g500-B110	65.0	0.1
g500-B240	75.0	0.1
g500-B450	79.5	0.2
g500-B600	90.0	0.3
g500-B820	97.0	0.3
g500-B1500	113	0.6
g500-B2700	131	0.6
g500-B4300	161	0.8

Product extensions

Shaft covers



Shrink disc cover g500-B45 ... B4300



Product	Dimensions		Mass
	g3	k11	m
	mm	mm	kg
g500-B45	65.0	87.5	0.1
g500-B110	79.0	97.5	0.1
g500-B240	90.0	111	0.1
g500-B450	90.0	108	0.1
g500-B600	110	124	0.1
g500-B820	110	131	0.1
g500-B1500	128	148	0.2
g500-B2700	155	171	0.3
g500-B4300	188	205	0.4



Product extensions

Motor connection
Connection via terminal box

Motor connection

Connection via terminal box

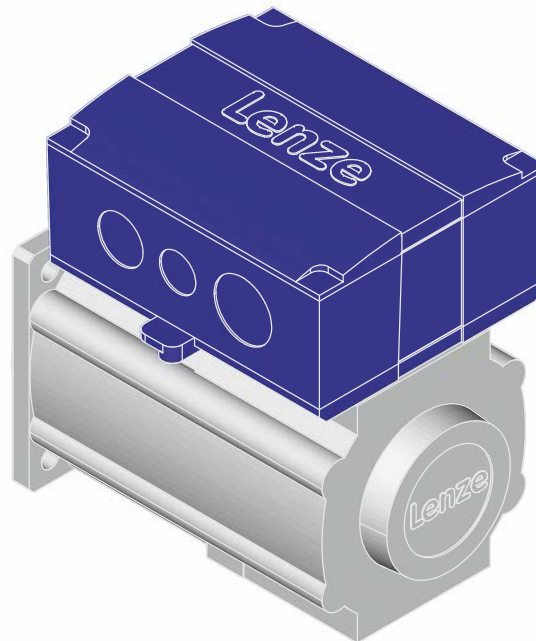
If a motor is to be connected to an existing cable or plug connectors are not to be used for other reasons, the connection can also be made via a terminal box.

The terminals are designed as tension spring terminals to ensure here the long-term vibration resistance of the cable contacts with adequate contact pressure required.

The terminal boxes have generously dimensioned space for the customer's own wiring and large surface shield connection areas to ensure a secure EMC-compliant connection. The cable outlet may be to the left or to the right, depending on requirements.



It is not possible to attach a terminal box to the MCS06 or to models with the blower.



Product extensions

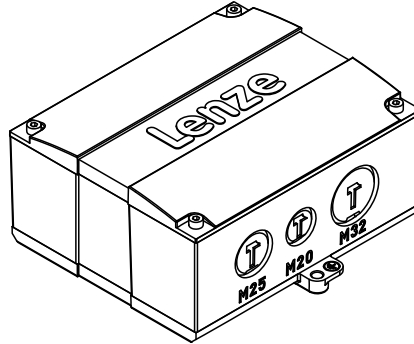
Motor connection
Connection via terminal box



Cable glands

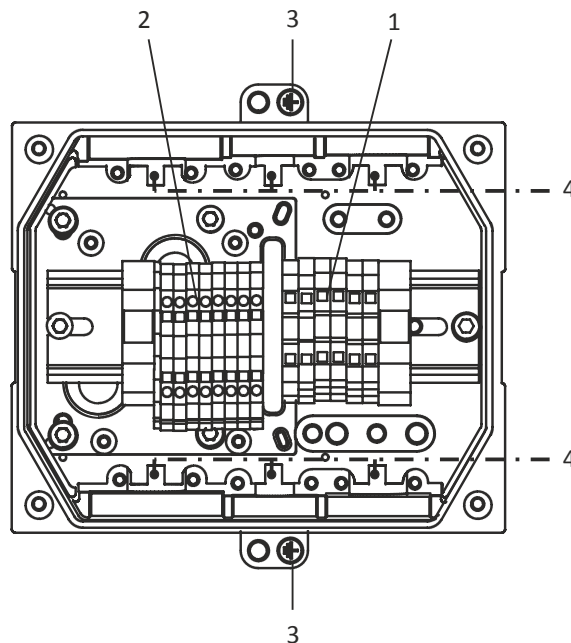


The bore holes for the cable glands M25, M20 and M32 are located on both sides and closed. They can be opened according to need.



Motor	MCS09 MCS12 MCS14H	MCS14L15 MCS14P14 MCS19F15 MCS19J15	MCS14L32 MCS14P32 MCS19F13 MCS19J30 MCS19P
Screwed connections		2x M20 2x M25 2x M32	
cable cross-section	mm ²	0.08 ... 2.5 4 (without wire end ferrule)	0.2 ... 10
Stripping length	mm	10 ... 11	
Terminal design		Spring-loaded terminal	

Position of the connections



Position	Meaning
1	Power connection Brake connection
2	Feedback connection Connection of temperature monitoring
3	PE connection
4	Large area shield contact.



Product extensions

Motor connection
Connection via terminal box

Power connection

Contact	Name	Meaning
PE	PE	PE conductor
V	V	Motor winding phase U
V	V	Motor winding phase V
W	W	Motor winding phase W

Connection of brake DC 24/205 V

Contact	Name	Meaning
BD1	BD1	Holding brake +
BD2	BD2	Holding brake -

Feedback connection

Resolver		
Contact	Name	Meaning
B1	+Ref	Transformer windings (reference windings)
B2	-Ref	
B3	+VCC ETS	Power supply: electronic nameplate (Only for model with electronic nameplate ETS)
B4	+COS	Cosine stator winding
B5	-COS	
B6	+SIN	Sine stator winding
B7	-SIN	
B8		Not assigned

Incremental encoder

Sin/Cos absolute value encoder with Hiperface

Contact	Name	Meaning
B1	+ UB	Supply +
B2	GND	Mass
B3	A	Track A/+COS
B4	A ⁻	Track A inverse/-COS
B5	B	Track B/+SIN
B6	B ⁻	Track B inverse/-SIN
B7	Z	Zero track/+RS485
B8	Z ⁻	Zero track inverse/-RS485

Sin/Cos absolute value encoder with EnDat interface

Contact	Name	Meaning
B1	+ UB	Supply + / supply: electronic nameplate (only for model with electronic nameplate ETS)
B2	GND	Mass
B3	A	Track A/+COS
B4	A ⁻	Track A inverse/-COS
B5	B	Track B/+SIN
B6	B ⁻	Track B inverse/-SIN
B7	Data	EnDat interface data
B8	Data ⁻	Data inverse EnDat interface
B20	Cycle	EnDat interface cycle
B21	Cycle ⁻	Inverse EnDat interface cycle
B22	U _p sensor	U _p sensor
B23	0 V sensor	0 V sensor
B24	Shield	Encoder housing shield
B25		not assigned

Connection of temperature monitoring

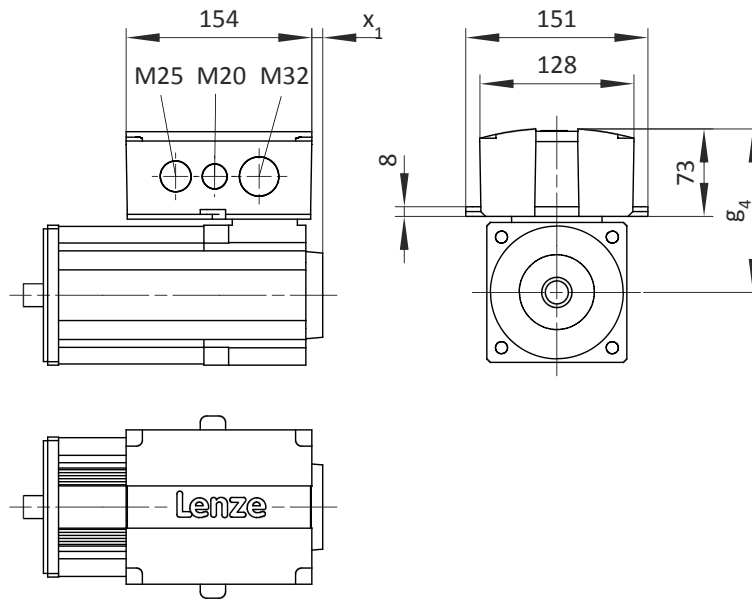
Contact	Name	Meaning
R1	+	Thermal detector +
R2	-	Thermal detector -

Product extensions

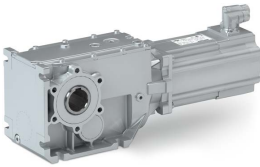
Motor connection
Connection via terminal box



Terminal box dimensions



Motor			MCS					
			09D41-09F38-09H41-09L41-	09D41L-09F38L-09H41L-09L41L	12D20-12D41-12H15-12H35-12L20-12L41-	12D20L-12D41L-12H15L-12H30L-12L20L-12L41L	14D15-14H15-14L15-14P14-	14D36-14H32-14L32-14P32-
Motor/connection distance	g_4	mm	121	136	147	172		
Feedback								
Resolver/TTL incremental encoder	x_1	mm	5	9	21	12		
SinCos absolute value encoder	x_1	mm	56	58	71	61		



Product extensions

Motor connection
Connection via ICN connector

Connection via ICN connector

The electrical connection to the servo motors as a standard is established via ICN connectors.

The connector can be rotated by 270 ° and are provided with a bayonet catch for SpeedTec connectors. Since the catch of the connector is compatible with conventional box nuts, existing counter plugs with a screw plug can be continued to use without any problems.



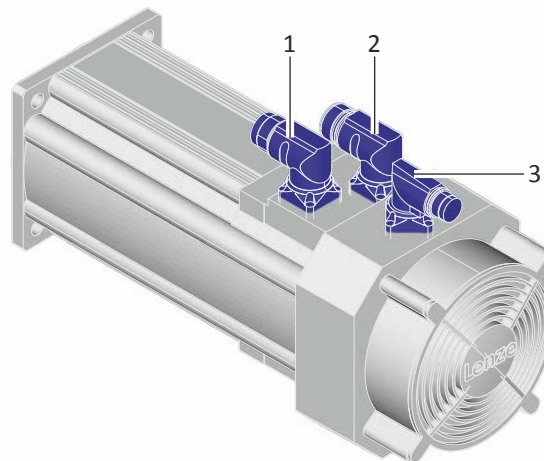
In order to provide for a quick and error-free connection of Lenze motors to Lenze inverters, we recommend using prefabricated Lenze system cables. In this way, proper functioning and the compliance with statutory provisions such as EMC, UL, etc. are ensured.

The use of different cables may cause unexpected faults and may void the warranty.

Position of the connectors



Each connection is made via a separate connector



Position	Meaning
1	Power connection Brake connection
2	Feedback connection Connection of temperature monitoring
3	Blower connection

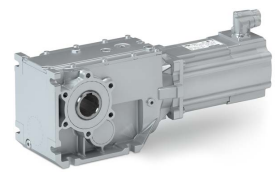
Power and brake connection

Valid for MCS06 ... 12

ICN-M23 connector assignment		
Contact	Name	Meaning
1	BD1	Holding brake +
2	BD2	Holding brake -
PE	PE	PE conductor
4	V	Power phase U
5	V	Power phase V
6	W	Power phase W

Product extensions

Motor connection
Connection via ICN connector



Valid for MCS14 ... 19

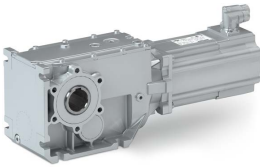
ICN-M40 connector assignment		
Contact	Name	Meaning
1		Not assigned
2		Not assigned
+	BD1	Holding brake +
-	BD2	Holding brake -
PE	PE	PE conductor
V	V	Power phase U
V	V	Power phase V
W	W	Power phase W

Feedback and temperature monitoring connection

ICN-M23 connector assignment: resolver		
Contact	Name	Meaning
1	+ Ref	Transformer windings
2	- Ref	
3	+VCC ENP	Power supply: electronic nameplate
4	+ Cos	Stator windings cosine
5	- Cos	
6	+ Sin	Stator windings Sine
7	- Sin	
8		Not assigned
9		
10	Shield	Encoder housing shield
11	+	Temperature monitoring
12	-	

Contact 3: only for motors and inverters which support this function.

ICN-M23 connector assignment: incremental and SinCos absolute value encoder Hiperface		
Contact	Name	Meaning
1	B	Track B / + SIN
2	A ⁻	Track A inverse / - COS
3	A	Track A / + COS
4	+ UB	Supply +
5	GND	Mass
6	Z ⁻	Zero track inverse / - RS485
7	Z	Zero track / + RS485
8		Not assigned
9	B ⁻	Track B inverse / - SIN
10	Shield	Encoder housing shield
11	+	Temperature monitoring
12	-	



Product extensions

Motor connection
Connection via ICN connector

Pin assignment ICN-M23: SinCos absolute value encoder with EnDat interface

Contact	Name	Meaning	
1	UP sensor	Supply: UP sensor	
2		Not assigned	
3		Not assigned	
4	0 V sensor	Supply: 0 V sensor	
5	+	Temperature monitoring	
6	-		
7	+ UB	Supply +	
8	Cycle	EnDat interface cycle	
9	Cycle ⁻	EnDat interface inverse cycle	
10	GND	Mass	
11	Shield	Encoder housing shield	
12	B	Track B	
13	B ⁻	Track B inverse/-SIN	
14	Data	EnDat interface data	
15	A	Track A	
16	A ⁻	Track A inverse	
17	Data ⁻	Inverse EnDat interface data	

Blower connection

Contact	Name	Meaning	
PE	PE	PE conductor	
1	U1	Fan	
2	U2		
3		Not assigned	
4			
5			
6			

Product extensions

Brakes



Brakes

Optionally, the motors can be ordered with a permanent magnet brake as holding brake.

⚠ CAUTION!

They may not be used as safety elements (particularly with hoist axes) without additional measures being implemented.

The brakes used are not fail-safe brakes in the sense that prospective disruptive factors, e.g. oil ingress, can lead to a reduction in torque!

- ▶ The brakes must only be used as holding brakes for holding the axes at a standstill or in the deenergised state.
- ▶ The brake must not be used as a service brake.

⚠ CAUTION!

If no suitable voltage (incorrect value, incorrect polarity) is applied to the brake, the brake will be applied and can be overheated and destroyed by the motor continuing to rotate.

If long motor supply cables are used, pay attention to the ohmic voltage drop along the cable and compensate for it with a higher voltage at the input end of the cable.

The following applies to Lenze system cables:

$U[V] = U_B[V] + 0.08 \frac{[V]}{[A] \times [m]} \times l_{Lg}[m] \times I_B[A]$	V	V	Resulting supply voltage
	U_B	V	Rated voltage of the brake
	l_{Lg}	m	Cable length
	I	A	Rated current of the brake

NOTICE

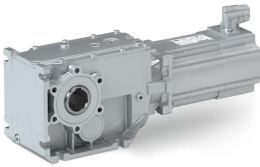
In case of these brakes, the rated torque applies solely as holding torque at standstill.

- ▶ Emergency stops at higher speeds are possible but high switching energy increases wear on the friction surfaces and the hub.
- ▶ During braking from full motor speed, e.g. in the event of emergency stops, the braking torque is significantly reduced.
- ▶ The brakes become active when the supply voltage has been switched off (closed-circuit principle).
- ▶ When using the brakes purely as holding brakes, virtually no wear occurs on the friction surfaces.
- ▶ The friction surfaces must always be free from oil and grease because even small amounts of grease or oil will considerably reduce the braking torque.

NOTICE

In case of travel axes, the compliance of the permissible ratio of mass inertia load/brake motor (J_L/J_{MB}) ensures that the permissible maximum switching energy of the brake will not be exceeded and at least the values given for the emergency stop functions from the given speed (see rated data) are applied.

For hoist axes, the load torque resulting from the weight acts additionally. In this case, the specifications for (J_L/J_{MB}) do not apply.



To simplify matters, the friction energy per switching cycle can be calculated using the formula below and must not exceed the limit value for emergency stops, which depends on the switching rate:

$Q = \frac{1}{2} \times J_{\text{ges}} \times \left(2\pi \times \frac{\Delta n}{60} \right)^2 \times \frac{M_N}{M_N - M_L}$	Q	J	Friction energy
	J_{total}	kgm ²	Total mass inertia (motor + load)
	Δn	rpm	Differential speed
	M_{rated}	Nm	Rated torque of the brake
	M_L	nM	Load torque



The shortest operating times of the brakes are achieved by DC switching of the voltage and an external suppressor circuit (varistor or spark suppressor).

Without suppressor circuit, the operating times may increase. A varistor/ spark suppressor limits the breaking voltage peaks. It must be ensured that the power limit of the suppressor circuit is not exceeded. This limit depends on the brake current, brake voltage, disengagement time and the switching operations per time unit.

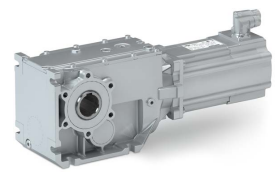
Furthermore the suppressor circuit is necessary for interference suppression and for increasing the service life of the relay contacts (external, is not integrated into the motor).



It is not possible to readjust the brake.

Product extensions

Brakes
Permanent magnet brakes



Permanent magnet brakes

Rated data

NOTICE

Engagement and disengagement times apply to rated voltage ($\pm 0\%$) and suppressor circuit of the brakes with a varistor with DC switching. Without a suppressor circuit, the times may be longer.

The currents are the maximum values when the brake is cold (value used for dimensioning the current supply). The values for a motor at operating temperature are considerably lower.

Requirements with regard to the DC 24 V brake: smoothed DC voltage, ripple $\leq 1\%$.

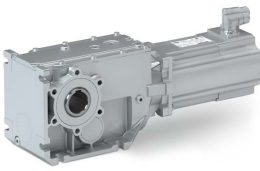
Maximum switching energy per emergency stop with $n = 3000$ rpm for at least 2000 emergency stops.

Rated data with standard braking torque

Motorcode= P1

Motor			MCS06C	MCS06F	MCS06I	MCS09D	MCS09F	MCS09H	MCS09L
Supply voltage range	$U_{in,DC}$	V	21.6 ... 25.2						
Rated voltage	$U_{rated,DC}$	V	24						
Rated torque									
At 20 °C	M_{rated}	Nm	2.20			8.00			
At 120 °C	M_{rated}	Nm	2.00			6.00			
Output current	I_{rated}	A	0.34			0.65			
Engagement time	t_1	ms	15.0			20.0			
Disengagement time	t_2	ms	30.0			40.0			
Maximum switching energy	Q_E	J	30.0			400			
Mass	m	kg	0.30			0.80			
Moment of inertia									
Brake	J_B	kgcm ²	0.12			1.07			
Brake motor	J_{MB}	kgcm ²	0.26	0.34	0.42	2.17	2.57	2.97	3.87
Load/brake motor ratio	J_L/J_{MB}		22.1	16.6	13.3	36.4	30.5	26.3	19.9

Motor			MCS12D	MCS12H	MCS12L	MCS14D	MCS14H	MCS14L	MCS14P	MCS19F
Supply voltage range	$U_{in,DC}$	V	21.6 ... 25.2							
Rated voltage	$U_{rated,DC}$	V	24							
Rated torque										
At 20 °C	M_{rated}	Nm	12.0			22.0			37.0	
At 120 °C	M_{rated}	Nm	10.0			18.0			32.0	
Output current	I_{rated}	A	0.65			0.88			0.93	
Engagement time	t_1	ms	13.0			15.0			96.0	
Disengagement time	t_2	ms	43.0			150			113	
Maximum switching energy	Q_E	J	400			640			2350	
Mass	m	kg	0.90			1.90			3.10	
Moment of inertia										
Brake	J_B	kgcm ²	1.07			3.20			12.4	
Brake motor	J_{MB}	kgcm ²	5.07	8.40	11.7	11.3	17.4	26.6	37.9	77.4
Load/brake motor ratio	J_L/J_{MB}		15.0	8.70	5.90	10.5	6.50	3.90	2.40	5.20



Product extensions

Brakes
Permanent magnet brakes

Rated data with increased braking torque

Motorcode= P2

Motor			MCS09D	MCS09F	MCS09H	MCS09L	MCS12D	MCS12H	MCS12L
Supply voltage range	$U_{in,DC}$	V	21.6 ... 25.2						
Rated voltage	$U_{rated,DC}$	V	24						
Rated torque									
At 20 °C	M_{rated}	Nm	12.0				24.0		
At 120 °C	M_{rated}	Nm	10.0				19.0		
Output current	I_{rated}	A	0.65				0.71		
Engagement time	t_1	ms	20.0				16.0		
Disengagement time	t_2	ms	40.0				90.0		
Maximum switching energy	Q_E	J	400				890		
Mass	m	kg	0.80				1.20		
Moment of inertia									
Brake	J_B	kgcm ²	1.07				3.13		
Brake motor	J_{MB}	kgcm ²	2.17	2.57	2.97	3.87	7.10	10.4	13.7
Load/brake motor ratio	J_L/J_{MB}		36.4	30.5	26.3	19.9	24.3	16.3	12.1

Motor			MCS14D	MCS14H	MCS14L	MCS14P	MCS19J	MCS19P
Supply voltage range	$U_{in,DC}$	V	21.6 ... 25.2					
Rated voltage	$U_{rated,DC}$	V	24					
Rated torque								
At 20 °C	M_{rated}	Nm	37.0				100	
At 120 °C	M_{rated}	Nm	32.0				80.0	
Output current	I_{rated}	A	0.93				1.29	
Engagement time	t_1	ms	96.0				30.0	
Disengagement time	t_2	ms	113				90.0	
Maximum switching energy	Q_E	J	2350				2100	
Mass	m	kg	3.10				4.30	
Moment of inertia								
Brake	J_B	kgcm ²	12.4				30.0	
Brake motor	J_{MB}	kgcm ²	20.5	26.6	35.8	47.1	135	190
Load/brake motor ratio	J_L/J_{MB}		22.2	16.9	12.3	9.10	2.20	1.20



Feedback

For speed control with a servo inverter, the servo motor can be equipped with the following feedback systems:

Feedback	Inverter			
	Connectable			Supports safety functions
Resolver				
RS0	i700	E84AVTC	E94A	
RV03	i700	E84AVTC	E94A	E94A
Incremental encoder				
IK4096-5V-T			E94A	
Absolute value encoder				
AM32-5V-E			E94A	
AM128-8V-H	i700	E84AVTC	E94A	
AM1024-8V-H		E84AVTC	E94A	E94A
AM1024-8V-H		E84AVTC	E94A	
AM1024-8V-K2		E84AVTC	E94A	E94A
AS1024-8V-H		E84AVTC	E94A	
AS1024-8V-K2		E84AVTC	E94A	E94A
AS2048-5V-E			E94A	
AM2048-5V-E			E94A	

Safety engineering

Servo motors can perform speed-dependent safety functions for safe speed and / or safe relative position monitoring in a drive system by Lenze inverters or Controllers. In case of inverters, these functions are implemented by integrable safety modules and in case of Controllers by the additionally required Safety Controller.

When planning systems/installations of this kind, always observe the following:

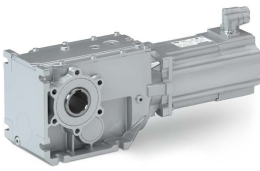
- When using just one single feedback system in the environment of these safety applications, the applicable safety engineering standard IEC 61800-5-2 (adjustable speed electrical power drive systems - Part: 5-2: Safety requirements - Functional) stipulates special requirements for the connection between feedback system and motor shaft.
- This is due to the fact that two-channel safety systems at this point in the mechanical system are actually designed as single-channel systems. If this mechanical connection is designed with considerable overdimensioning, the standard permits exclusion of the fault "encoder-shaft breakage" or "encoder-shaft slip". As such, acceleration limit values must not be exceeded for the individual drive solutions.

You can find the limit values in the corresponding feedback data of the individual motor ranges.

Speed-dependent safety functions

Examples of speed-dependent safety functions:

- Safe stop 1 (SS1)
- Safe operational stop (SOS)
- Safely limited speed (SLS)
- Safe maximum speed (SMS)
- Safe direction (SDI) of motion
- Operation mode selector (OMS) with confirmation (ES)
- Safe speed monitor (SSM)
- Safely limited increment (SLI)



Resolver

The stator-supplied, 2-pole resolver with two stator windings shifted by 90 degrees and a rotor winding with a transformer winding can record both the speed and the rotor position, just like a single-turn absolute value encoder. The rotor position can be determined within one mechanical motor revolution after a voltage failure.

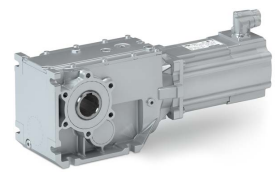
Feedback type			Resolver	
Feedback			RS0	RV03
Motor code			RS0	RV03
Speed-dependent safety functions			No	Yes
Resolution				
Angle		'	0.80	
Accuracy		'	-10 ... 10	
Absolute positioning			1 revolution	
Max. speed	n_{\max}	rpm	8000	
Max. input voltage				
DC	$U_{\text{in,max}}$	V	10.0	
Max. input frequency	$f_{\text{in,max}}$	kHz	4.00	
Ratio				
Stator / rotor			0.30 ± 5 %	
Rotor impedance	Z_{ro}	Ω	51 + j90	
Stator impedance	Z_{so}	Ω	102 + j150	
Impedance	Z_{rs}	Ω	44 + j76	
Min. insulation resistance				
With DC 500 V	R_{min}	M Ω	10.0	
Number of pole pairs			1	
Max. angle error		'	-10 ... 10	

Speed-dependent safety functions

Feedback			RV03
Motor code			RV03
Max. permissible angular acceleration			
MCS06	α	rad/s ²	56000
MCS09 ... MCS19	α	rad/s ²	19000
Functional safety			
IEC 61508			SIL3
EN 13849-1			Up to Performance Level e

Product extensions

Feedback
Incremental encoder



Incremental encoder

Incremental encoders can only be used for speed measurement, but not for speed control.
Homing is required in order to enable positioning later.

Feedback type		TTL incremental
Feedback		IK4096-5V-T
Motor code		C40
Speed-dependent safety functions		No
Encoder type		Single-turn
Pulses		4096
Output signals		TTL
Interfaces		
Absolute revolution		0
Resolution (angle)	'	1.30
Accuracy	'	-1 ... 1
Min. DC input voltage	V	4.50
Max. DC input voltage	V	5.50
Max. speed	rpm	7324
Max. current consumption	A	0.075
Limit frequency	kHz	500



Absolute value encoder

Absolute value encoders can detect the speed, the rotor position, and the machine position with a very high resolution. They are used for the positioning of dynamic applications and do not require homing.

Feedback type		SinCos absolute value			
Feedback		AM32-5V-E	AM128-8V-H	AM1024-8V-H	AM1024-8V-K2
Motor code		EQI	SKM	SRM	SVM
Speed-dependent safety functions		No	No	No	Yes
Encoder type		Multi-turn	Multi-turn	Multi-turn	Multi-turn
Pulses		32	128	1024	1024
Output signals		1 Vss	1 Vss	1 Vss	1 Vss
Interfaces		EnDat	Hiperface	Hiperface	Hiperface
Absolute revolution		4096	4096	4096	4096
Resolution (angle)	'	0.40	0.40	0.40	0.40
Accuracy	'	-5 ... 5	-1.3 ... 1.3	-0.8 ... 0.8	-0.8 ... 0.8
Min. DC input voltage	V	4.75	7.00	7.00	7.00
Max. DC input voltage	V	5.25	12.0	12.0	12.0
Max. speed	rpm	12000	9000	6000	6000
Max. current consumption	A	0.17	0.060	0.080	0.080
Limit frequency	kHz	600	200	200	200

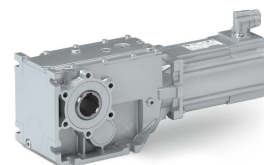
Feedback type		SinCos absolute value			
Feedback		AS1024-8V-H	AS1024-8V-K2	AS2048-5V-E	AM2048-5V-E
Motor code		SRS	SVS	ECN	EQN
Speed-dependent safety functions		No	Yes	No	No
Encoder type		Single-turn	Single-turn	Single-turn	Multi-turn
Pulses		1024	1024	2048	2048
Output signals		1 Vss	1 Vss	1 Vss	1 Vss
Interfaces		Hiperface	Hiperface	EnDat	EnDat
Absolute revolution		1	1	1	4096
Resolution (angle)	'	0.40	0.40	0.40	0.40
Accuracy	'	-0.8 ... 0.8	-0.8 ... 0.8	-0.6 ... 0.6	-0.6 ... 0.6
Min. DC input voltage	V	7.00	7.00	4.75	4.75
Max. DC input voltage	V	12.0	12.0	5.25	5.25
Max. speed	rpm	6000	6000	12000	12000
Max. current consumption	A	0.080	0.080	0.15	0.25
Limit frequency	kHz	200	200	200	200

Speed-dependent safety functions

Feedback		AS1024-8V-K2		AM1024-8V-K2	
Motor code		SVS		SVM	
Max. permissible angular acceleration					
MCS06	α	rad/s ²	970000		
MCS09 ... MCS19	α	rad/s ²	240000		
Functional safety					
IEC 61508			SIL2		
EN 13849-1			Up to Performance Level d		

Product extensions

Blower



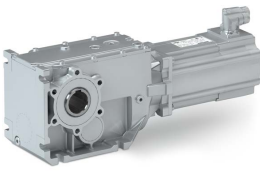
Blower

Rated data for 50 Hz

Motor		MCS					
		12D17- 12D35- 12H14- 12H34- 12L17- 12L39-		14D14- 14H12- 14H28- 14D30- 14L14- 14L30- 14P11- 14P26-		19F12- 19F29- 19J29- 19P29-	
Enclosure		IP54					
Number of phases		1					
Rated voltage AC	V	230	115	230	115	230	115
Min. AC mains voltage	V	210	104	210	104	210	104
Max. AC mains voltage	V	240	122	240	122	240	122
Rated power	kW	0.019	0.018	0.040	0.040	0.060	0.047
Output current	A	0.12	0.22	0.25	0.53	0.26	0.45

Rated data 60 Hz

Motor		MCS					
		12D17- 12D35- 12H14- 12H34- 12L17- 12L39-		14D14- 14H12- 14H28- 14D30- 14L14- 14L30- 14P11- 14P26-		19F12- 19F29- 19J29- 19P29-	
Enclosure		IP54					
Number of phases		1					
Rated voltage AC	V	230	115	230	115	230	115
Min. AC mains voltage	V	210	104	210	104	210	104
Max. AC mains voltage	V	240	122	240	122	240	122
Rated power	kW	0.019	0.018	0.040	0.040	0.060	0.047
Output current	A	0.12	0.22	0.25	0.53	0.26	0.45



Temperature monitoring

Thermal detectors PT1000

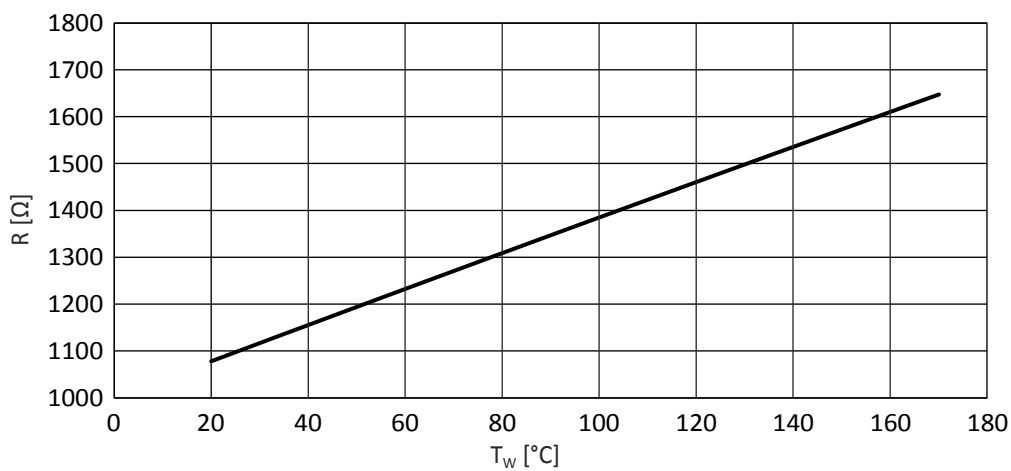
The thermal sensors used in the motors continuously monitor the motor temperature. The temperature information is transferred to the inverter using the system cable of the feedback system. Due to different physical conditions, the motors have two different temperature monitoring mechanisms. **In both cases, this is no full motor protection.**

MCS06

In case of this motor, the winding temperature of a winding phase is monitored with a thermal sensor PT1000.



When supplying the thermal sensors with a measurement current of 1 mA, the connection between the temperature and the resistance measured applies.



R Resistance
 T_w Winding temperature

MCS09 ... 19

These motors are monitored via three thermal sensors connected in series (1x PT1000 + 2x PTC 150 °C). This makes it possible to determine the motor temperature in the permissible operating range and at the same time execute the overtemperature response configured in the controller in one of the winding strands.



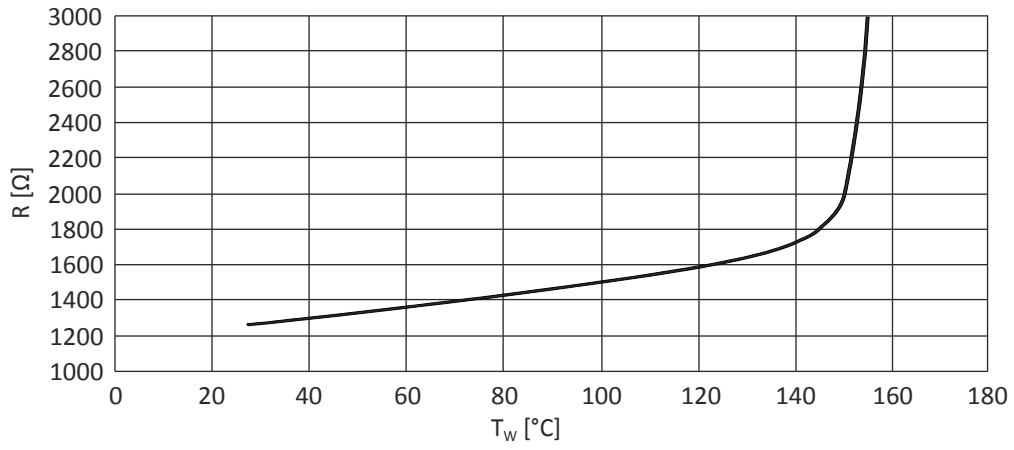
The three thermal sensors connected in series are identified on the nameplate by the short designation "PT1k+2PTC".

Product extensions

Temperature monitoring
Thermal detectors PT1000



When supplying the thermal sensors with a measurement current of 1 mA, the connection between the temperature and the resistance measured applies.



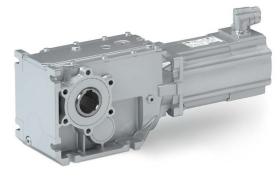
R Resistance
 T_w Winding temperature



Product codes

Gearbox product code

Example		G	50	A	B	045	M	H	B	R	1	C	1A
Product type	Gearbox	G											
Product family			50										
Generation				A B									
Gearbox type	Bevel gearbox				B								
Output torque	45 Nm					45							
	110 Nm					111							
	240 Nm					124							
	450 Nm					145							
	600 Nm					160							
	820 Nm					182							
	1500 Nm					215							
	2700 Nm					227							
	4300 Nm					243							
	8000 Nm					280							
	13000 Nm					313							
	20000 Nm					320							
	Type of construction	Geared motor						M					
Gearbox							N						
Shaft type	Solid shaft with featherkey							V					
	Hollow shaft with keyway							H					
	Hollow shaft with shrink disc							S					
Housing type	Foot mounting + centering								A				
	Foot mounting								B				
	With centering								C				
	Threaded pitch circle								D				
Flange mounting	Without flange									R			
	Flange with through holes									k			
Number of stages	2-stage										2		
	3-stage										3		
Motor mounting	Integrated											C	
	IEC motor											N	
	NEMA motor											A	
	Servo motor											S	
Drive size												1B ... □H	



Motor product code

Example		M	C	S	06	C	41	-	RS0	B0	
Product family	Motor	M									
Type	Compact servo motors		C								
Type	synchronous			S							
Motor frame size	Square dimension 62 mm				06						
	Square dimension 89 mm				09						
	Square dimension 116 mm				12						
	Square dimension 142 mm				14						
	Square dimension 192 mm				19						
Overall length						C ... P					
Rated speed	rpm x 100						11 ... 60				
Inverter mains voltage	3 x 230 V, IP54/IP65							L			
	3 x 400 V, IP54/IP65							-			
Feedback	Resolver p=1									RS0	
	SinCos single-turn absolute value encoder, Hiperface® AS1024-8V-H									SRS	
	SinCos multi-turn absolute value encoder, Hiperface® AM128-8V-H									SKM	
	SinCos multi-turn absolute value encoder, Hiperface® AM1024-8V-H									SRM	
	SinCos single-turn absolute value encoder, EnDat AS2048-5V-E									ECN	
	SinCos multi-turn absolute value encoder, EnDat AM2048-5V-E									EQN	
	SinCos multi-turn absolute value encoder, EnDat AM32-5V-E									EQI	
	Incremental encoder TTL with communication signal IK4096-5V-T										C40
	Safety resolver p=1 RV03										RV0
	Safety SinCos single-turn absolute value encoder, Hiperface® AS1024-8V-K2										SVS
Safety SinCos multi-turn absolute value encoder, Hiperface® AM1024-8V-K2										SVM	
Brake	Without brake										B0
	Permanent magnet brake DC 24V										P1
	Permanent magnet brake DC 24V, reinforced										P2



Motor data

Rated data

Inverter mains connection 400 V, Self-ventilated

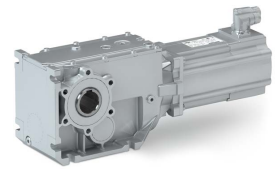
Product name			MCS06C41-	MCS06F41-	MCS06I41-
Standstill torque	Nm	M_0	0.80	1.50	2.00
Rated torque	Nm	M_N	0.60	1.20	1.50
Max. torque	Nm	M_{max}	2.40	4.40	6.20
Rated speed	rpm	n_N	4050	4050	4050
Rated power	kW	P_N	0.25	0.51	0.64
Standstill current	A	I_0	1.30	1.50	1.70
Output current	A	I_N	1.30	1.50	1.60
Max. current	A	I_{max}	5.40	5.30	5.90
Rated voltage	V	$V_{r, AC}$	225	320	325
Rated frequency	Hz	f_N	270	270	270
Moment of inertia	kgcm ²	J	0.14	0.22	0.30
Efficiency		$\eta_{100\%}$	0.650	0.770	0.810
Torque constant	Nm/A	$K_{t_{0\ 150\ ^\circ C}}$	0.62	1.00	1.18
Voltage constant	V/ 1000rpm	$KE_{LL\ 150\ ^\circ C}$	35.8	58.8	71.8
Stator terminal resistance	Ω	$R_{UV\ 20\ ^\circ C}$	27.0	21.8	18.8
Stator terminal resistance	Ω	$R_{UV\ 150\ ^\circ C}$	40.7	32.9	28.3
Stator inductance	mH	L	51.0	63.5	60.2
Mass	kg	m	2.30	2.70	3.40

Product name			MCS09D41-	MCS09F38-	MCS09H41-
Standstill torque	Nm	M_0	3.30	4.20	5.50
Rated torque	Nm	M_N	2.30	3.10	3.80
Max. torque	Nm	M_{max}	9.50	15.0	20.0
Rated speed	rpm	n_N	4050	3750	4050
Rated power	kW	P_N	1.00	1.20	1.60
Standstill current	A	I_0	2.60	3.00	4.30
Output current	A	I_N	2.30	2.50	3.40
Max. current	A	I_{max}	10.0	15.0	20.0
Rated voltage	V	$V_{r, AC}$	320	330	300
Rated frequency	Hz	f_N	270	250	270
Moment of inertia	kgcm ²	J	1.10	1.50	1.90
Efficiency		$\eta_{100\%}$	0.820	0.900	0.910
Torque constant	Nm/A	$K_{t_{0\ 150\ ^\circ C}}$	1.27	1.40	1.28
Voltage constant	V/ 1000rpm	$KE_{LL\ 150\ ^\circ C}$	69.6	78.0	74.0
Stator terminal resistance	Ω	$R_{UV\ 20\ ^\circ C}$	7.00	5.20	3.20
Stator terminal resistance	Ω	$R_{UV\ 150\ ^\circ C}$	10.5	7.84	4.82
Stator inductance	mH	L	25.1	24.6	16.1
Mass	kg	m	4.80	5.70	6.60

Motor data

Rated data

Inverter mains connection 400 V, Self-ventilated



Product name			MCS09L41-	MCS12D20-	MCS12D41-
Standstill torque	Nm	M_0	7.50	6.40	6.40
Rated torque	Nm	M_N	4.50	5.50	4.30
Max. torque	Nm	M_{max}	32.0	18.0	18.0
Rated speed	rpm	n_N	4050	1950	4050
Rated power	kW	P_N	1.90	1.10	1.80
Standstill current	A	I_0	6.20	2.70	5.50
Output current	A	I_N	4.20	2.60	4.50
Max. current	A	I_{max}	32.0	10.0	20.0
Rated voltage	V	$V_{r, AC}$	295	345	310
Rated frequency	Hz	f_N	270	130	270
Moment of inertia	kgcm ²	J	2.80	4.00	4.00
Efficiency		$\eta_{100\%}$	0.910	0.790	0.840
Torque constant	Nm/A	$K_{t_{0 150^\circ C}}$	1.21	2.37	1.16
Voltage constant	V/ 1000rpm	$KE_{LL 150^\circ C}$	70.1	134	67.1
Stator terminal resistance	Ω	$R_{UV 20^\circ C}$	1.80	8.70	2.20
Stator terminal resistance	Ω	$R_{UV 150^\circ C}$	2.71	13.1	3.32
Stator inductance	mH	L	9.90	52.2	13.0
Mass	kg	m	8.40	7.00	7.00

Product name			MCS12H15-	MCS12H35-	MCS12L20-
Standstill torque	Nm	M_0	11.4	11.4	15.0
Rated torque	Nm	M_N	10.0	7.50	13.5
Max. torque	Nm	M_{max}	29.0	29.0	56.0
Rated speed	rpm	n_N	1500	3525	1950
Rated power	kW	P_N	1.60	2.80	2.80
Standstill current	A	I_0	4.10	8.20	6.20
Output current	A	I_N	3.80	5.70	5.90
Max. current	A	I_{max}	12.0	24.0	28.0
Rated voltage	V	$V_{r, AC}$	300	325	330
Rated frequency	Hz	f_N	100	235	130
Moment of inertia	kgcm ²	J	7.30	7.30	10.6
Efficiency		$\eta_{100\%}$	0.880	0.910	0.900
Torque constant	Nm/A	$K_{t_{0 150^\circ C}}$	2.78	1.39	2.42
Voltage constant	V/ 1000rpm	$KE_{LL 150^\circ C}$	169	84.6	146
Stator terminal resistance	Ω	$R_{UV 20^\circ C}$	5.80	1.40	2.20
Stator terminal resistance	Ω	$R_{UV 150^\circ C}$	8.74	2.11	3.32
Stator inductance	mH	L	42.1	10.5	21.8
Mass	kg	m	10.1	10.1	13.2



Motor data

Rated data
Inverter mains connection 400 V, Self-ventilated

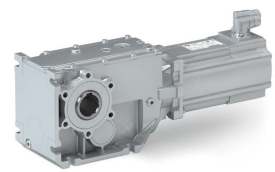
Product name			MCS12L41-	MCS14D15-	MCS14D36-
Standstill torque	Nm	M_0	15.0	11.0	11.0
Rated torque	Nm	M_N	11.0	9.20	7.50
Max. torque	Nm	M_{max}	56.0	29.0	29.0
Rated speed	rpm	n_N	4050	1500	3600
Rated power	kW	P_N	4.70	1.45	2.80
Standstill current	A	I_0	12.4	5.00	10.0
Output current	A	I_N	10.2	4.50	7.50
Max. current	A	I_{max}	56.0	16.5	33.0
Rated voltage	V	$V_{r, AC}$	300	305	295
Rated frequency	Hz	f_N	270	100	240
Moment of inertia	kgcm ²	J	10.6	8.10	8.10
Efficiency		$\eta_{100\%}$	0.910	0.880	0.920
Torque constant	Nm/A	$K_{t0 150^\circ C}$	1.21	2.20	1.10
Voltage constant	V/ 1000rpm	$K_{E_{LL} 150^\circ C}$	72.9	126	62.8
Stator terminal resistance	Ω	$R_{UV 20^\circ C}$	0.60	4.00	1.00
Stator terminal resistance	Ω	$R_{UV 150^\circ C}$	0.90	6.03	1.51
Stator inductance	mH	L	5.45	49.8	12.5
Mass	kg	m	13.2	11.4	11.4

Product name			MCS14H15-	MCS14H32-	MCS14L15-
Standstill torque	Nm	M_0	21.0	21.0	28.0
Rated torque	Nm	M_N	16.0	14.0	23.0
Max. torque	Nm	M_{max}	55.0	55.0	77.0
Rated speed	rpm	n_N	1500	3225	1500
Rated power	kW	P_N	2.50	4.70	3.60
Standstill current	A	I_0	8.50	16.9	12.0
Output current	A	I_N	6.60	11.9	9.70
Max. current	A	I_{max}	25.8	51.5	37.3
Rated voltage	V	$V_{r, AC}$	325	295	315
Rated frequency	Hz	f_N	100	215	100
Moment of inertia	kgcm ²	J	14.2	14.2	23.4
Efficiency		$\eta_{100\%}$	0.920	0.930	0.900
Torque constant	Nm/A	$K_{t0 150^\circ C}$	2.47	1.24	2.33
Voltage constant	V/ 1000rpm	$K_{E_{LL} 150^\circ C}$	150	74.6	149
Stator terminal resistance	Ω	$R_{UV 20^\circ C}$	2.08	0.52	1.20
Stator terminal resistance	Ω	$R_{UV 150^\circ C}$	3.13	0.78	1.81
Stator inductance	mH	L	34.1	8.53	22.0
Mass	kg	m	16.2	16.2	20.8

Motor data

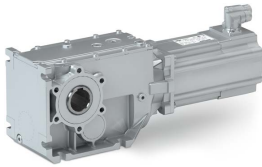
Rated data

Inverter mains connection 400 V, Self-ventilated



Product name			MCS14L32-	MCS14P14-	MCS14P32-
Standstill torque	Nm	M_0	28.0	37.0	37.0
Rated torque	Nm	M_N	17.2	30.0	21.0
Max. torque	Nm	M_{max}	77.0	105	105
Rated speed	rpm	n_N	3225	1350	3225
Rated power	kW	P_N	5.80	4.20	7.10
Standstill current	A	I_0	24.0	12.2	24.3
Output current	A	I_N	15.0	10.8	15.6
Max. current	A	I_{max}	74.5	46.0	92.0
Rated voltage	V	$V_{r, AC}$	275	340	315
Rated frequency	Hz	f_N	215	90	215
Moment of inertia	kgcm ²	J	23.4	34.7	34.7
Efficiency		$\eta_{100\%}$	0.930	0.900	0.930
Torque constant	Nm/A	$K_{t_{0 150^\circ C}}$	1.17	3.03	1.52
Voltage constant	V/ 1000rpm	$KE_{LL 150^\circ C}$	74.5	175	87.4
Stator terminal resistance	Ω	$R_{UV 20^\circ C}$	0.40	1.20	0.28
Stator terminal resistance	Ω	$R_{UV 150^\circ C}$	0.60	1.81	0.42
Stator inductance	mH	L	5.51	23.9	5.99
Mass	kg	m	20.8	25.6	25.6

Product name			MCS19F14-	MCS19F30-	MCS19J14-
Standstill torque	Nm	M_0	32.0	32.0	51.0
Rated torque	Nm	M_N	27.0	21.0	40.0
Max. torque	Nm	M_{max}	86.0	86.0	129
Rated speed	rpm	n_N	1425	3000	1425
Rated power	kW	P_N	4.00	6.60	6.00
Standstill current	A	I_0	9.90	19.8	15.2
Output current	A	I_N	8.60	14.0	12.3
Max. current	A	I_{max}	31.3	62.5	44.8
Rated voltage	V	$V_{r, AC}$	335	300	330
Rated frequency	Hz	f_N	95	200	95
Moment of inertia	kgcm ²	J	65.0	65.0	105
Efficiency		$\eta_{100\%}$	0.920	0.930	0.920
Torque constant	Nm/A	$K_{t_{0 150^\circ C}}$	3.23	1.62	3.36
Voltage constant	V/ 1000rpm	$KE_{LL 150^\circ C}$	191	95.0	195
Stator terminal resistance	Ω	$R_{UV 20^\circ C}$	1.30	0.32	0.66
Stator terminal resistance	Ω	$R_{UV 150^\circ C}$	1.96	0.48	0.99
Stator inductance	mH	L	20.8	5.20	12.8
Mass	kg	m	24.0	24.0	31.0



Motor data

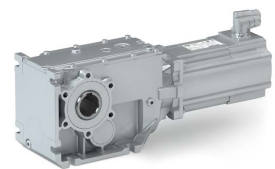
Rated data
Inverter mains connection 400 V, Self-ventilated

Product name			MCS19J30-	MCS19P14-	MCS19P30-
Standstill torque	Nm	M_0	51.0	64.0	64.0
Rated torque	Nm	M_N	29.0	51.0	32.0
Max. torque	Nm	M_{max}	129	190	190
Rated speed	rpm	n_N	3000	1350	3000
Rated power	kW	P_N	9.10	7.20	10.0
Standstill current	A	I_0	30.5	17.5	34.9
Output current	A	I_N	18.5	14.3	19.0
Max. current	A	I_{max}	89.6	60.0	120
Rated voltage	V	$V_{r, AC}$	300	330	320
Rated frequency	Hz	f_N	200	90	200
Moment of inertia	kgcm ²	J	105	160	160
Efficiency		$\eta_{100\%}$	0.930	0.920	0.930
Torque constant	Nm/A	$K_{t0 150^\circ C}$	1.67	3.66	1.83
Voltage constant	V/ 1000rpm	$K_{E_{LL 150^\circ C}}$	97.3	211	106
Stator terminal resistance	Ω	$R_{UV 20^\circ C}$	0.16	0.54	0.14
Stator terminal resistance	Ω	$R_{UV 150^\circ C}$	0.24	0.81	0.21
Stator inductance	mH	L	3.20	9.60	2.40
Mass	kg	m	31.0	41.0	41.0

Motor data

Rated data

Inverter mains connection 230 V, Self-ventilated



Inverter mains connection 230 V, Self-ventilated

Product name			MCS06C41L	MCS06F41L	MCS06I41L
Standstill torque	Nm	M_0	0.80	1.50	2.00
Rated torque	Nm	M_N	0.60	1.20	1.50
Max. torque	Nm	M_{max}	2.40	4.40	6.20
Rated speed	rpm	n_N	4050	4050	4050
Rated power	kW	P_N	0.25	0.51	0.64
Standstill current	A	I_0	2.50	2.90	3.10
Output current	A	I_N	2.50	2.90	2.90
Max. current	A	I_{max}	10.8	10.5	11.8
Rated voltage	V	$V_{r, AC}$	125	165	175
Rated frequency	Hz	f_N	270	270	270
Moment of inertia	kgcm ²	J	0.14	0.22	0.30
Efficiency		$\eta_{100\%}$	0.650	0.810	0.810
Torque constant	Nm/A	$K_{t0 150\text{ °C}}$	0.32	0.52	0.65
Voltage constant	V/ 1000rpm	$K_{E_{LL} 150\text{ °C}}$	21.0	33.7	37.2
Stator terminal resistance	Ω	$R_{UV 20\text{ °C}}$	5.93	5.48	4.59
Stator terminal resistance	Ω	$R_{UV 150\text{ °C}}$	8.93	8.26	6.92
Stator inductance	mH	L	12.8	15.9	15.1
Mass	kg	m	2.30	2.70	3.40

Product name			MCS09D41L	MCS09F38L	MCS09H41L
Standstill torque	Nm	M_0	3.30	4.20	5.50
Rated torque	Nm	M_N	2.30	3.10	3.80
Max. torque	Nm	M_{max}	9.50	15.0	20.0
Rated speed	rpm	n_N	4050	3750	4050
Rated power	kW	P_N	1.00	1.20	1.60
Standstill current	A	I_0	5.30	6.00	8.50
Output current	A	I_N	4.60	5.00	6.80
Max. current	A	I_{max}	20.0	30.0	40.0
Rated voltage	V	$V_{r, AC}$	165	160	160
Rated frequency	Hz	f_N	270	250	270
Moment of inertia	kgcm ²	J	1.10	1.50	1.90
Efficiency		$\eta_{100\%}$	0.870	0.900	0.910
Torque constant	Nm/A	$K_{t0 150\text{ °C}}$	0.62	0.70	0.65
Voltage constant	V/ 1000rpm	$K_{E_{LL} 150\text{ °C}}$	34.8	39.0	37.0
Stator terminal resistance	Ω	$R_{UV 20\text{ °C}}$	1.75	1.33	0.89
Stator terminal resistance	Ω	$R_{UV 150\text{ °C}}$	2.64	2.01	1.34
Stator inductance	mH	L	6.30	6.20	4.00
Mass	kg	m	4.90	5.80	6.70



Motor data

Rated data
Inverter mains connection 230 V, Self-ventilated

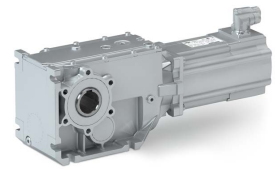
Product name			MCS09L41L	MCS12D20L	MCS12D41L
Standstill torque	Nm	M_0	7.50	6.40	6.40
Rated torque	Nm	M_N	4.50	5.50	4.30
Max. torque	Nm	M_{max}	32.0	18.0	18.0
Rated speed	rpm	n_N	4050	1950	4050
Rated power	kW	P_N	1.90	1.10	1.80
Standstill current	A	I_0	12.4	5.50	10.7
Output current	A	I_N	8.40	5.20	8.80
Max. current	A	I_{max}	64.0	20.0	40.0
Rated voltage	V	$V_{r, AC}$	145	175	155
Rated frequency	Hz	f_N	270	130	270
Moment of inertia	kgcm ²	J	2.80	4.00	4.00
Efficiency		$\eta_{100\%}$	0.910	0.790	0.840
Torque constant	Nm/A	$K_{t_{0 150^\circ C}}$	0.60	1.16	0.60
Voltage constant	V/ 1000rpm	$KE_{LL 150^\circ C}$	35.1	67.1	34.2
Stator terminal resistance	Ω	$R_{UV 20^\circ C}$	0.44	2.20	0.55
Stator terminal resistance	Ω	$R_{UV 150^\circ C}$	0.66	3.32	0.83
Stator inductance	mH	L	2.50	13.0	3.40
Mass	kg	m	8.50	7.10	7.10

Product name			MCS12H15L	MCS12H30L	MCS12L20L
Standstill torque	Nm	M_0	11.4	11.4	15.0
Rated torque	Nm	M_N	10.0	8.00	13.5
Max. torque	Nm	M_{max}	29.0	29.0	56.0
Rated speed	rpm	n_N	1500	3000	1950
Rated power	kW	P_N	1.60	2.50	2.80
Standstill current	A	I_0	8.20	13.5	12.4
Output current	A	I_N	7.60	10.5	11.8
Max. current	A	I_{max}	24.0	39.0	57.0
Rated voltage	V	$V_{r, AC}$	158	165	165
Rated frequency	Hz	f_N	100	200	130
Moment of inertia	kgcm ²	J	7.30	7.30	10.6
Efficiency		$\eta_{100\%}$	0.820	0.870	0.900
Torque constant	Nm/A	$K_{t_{0 150^\circ C}}$	1.39	0.84	1.21
Voltage constant	V/ 1000rpm	$KE_{LL 150^\circ C}$	84.6	51.8	75.2
Stator terminal resistance	Ω	$R_{UV 20^\circ C}$	1.41	0.49	0.55
Stator terminal resistance	Ω	$R_{UV 150^\circ C}$	2.12	0.74	0.83
Stator inductance	mH	L	10.5	4.00	5.50
Mass	kg	m	10.2	10.2	13.3

Motor data

Rated data

Inverter mains connection 400 V, Forced-ventilated



Inverter mains connection 400 V, Forced-ventilated

Product name			MCS12D17-	MCS12D35-	MCS12H14-
Standstill torque	Nm	M_0	7.50	7.50	12.8
Rated torque	Nm	M_N	7.00	6.00	12.0
Max. torque	Nm	M_{max}	17.7	17.7	29.0
Rated speed	rpm	n_N	1650	3525	1350
Rated power	kW	P_N	1.20	2.20	1.70
Standstill current	A	I_0	3.20	6.40	4.60
Output current	A	I_N	3.00	5.60	4.10
Max. current	A	I_{max}	10.0	20.0	12.0
Rated voltage	V	$V_{r, AC}$	330	300	310
Rated frequency	Hz	f_N	110	235	90
Moment of inertia	kgcm ²	J	4.00	4.00	7.30
Efficiency		$\eta_{100\%}$	0.750	0.850	0.800
Torque constant	Nm/A	$K_{t0 150\text{ °C}}$	2.34	1.17	2.78
Voltage constant	V/ 1000rpm	$K_{E_{LL 150\text{ °C}}}$	134	67.1	169
Stator terminal resistance	Ω	$R_{UV 20\text{ °C}}$	17.4	4.40	5.80
Stator terminal resistance	Ω	$R_{UV 150\text{ °C}}$	26.2	6.63	8.74
Stator inductance	mH	L	52.2	13.0	42.1
Mass	kg	m	9.10	9.10	12.2

Product name			MCS12H34-	MCS12L17-	MCS12L39-
Standstill torque	Nm	M_0	12.8	19.0	19.0
Rated torque	Nm	M_N	10.5	17.0	14.0
Max. torque	Nm	M_{max}	29.0	56.4	56.4
Rated speed	rpm	n_N	3375	1650	3900
Rated power	kW	P_N	3.70	2.90	5.70
Standstill current	A	I_0	8.50	7.20	14.4
Output current	A	I_N	7.50	6.70	11.7
Max. current	A	I_{max}	24.0	28.0	57.0
Rated voltage	V	$V_{r, AC}$	320	300	295
Rated frequency	Hz	f_N	225	110	260
Moment of inertia	kgcm ²	J	7.30	10.6	10.6
Efficiency		$\eta_{100\%}$	0.860	0.900	0.940
Torque constant	Nm/A	$K_{t0 150\text{ °C}}$	1.51	2.64	1.32
Voltage constant	V/ 1000rpm	$K_{E_{LL 150\text{ °C}}}$	84.6	146	72.9
Stator terminal resistance	Ω	$R_{UV 20\text{ °C}}$	1.40	2.20	0.60
Stator terminal resistance	Ω	$R_{UV 150\text{ °C}}$	2.11	3.32	0.90
Stator inductance	mH	L	10.5	21.8	5.45
Mass	kg	m	12.2	15.3	15.3



Motor data

Rated data

Inverter mains connection 400 V, Forced-ventilated

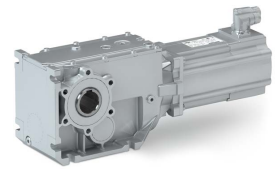
Product name			MCS14D14-	MCS14D30-	MCS14H12-
Standstill torque	Nm	M_0	12.5	12.5	25.5
Rated torque	Nm	M_N	12.0	10.5	23.5
Max. torque	Nm	M_{max}	29.0	29.0	54.8
Rated speed	rpm	n_N	1350	3000	1200
Rated power	kW	P_N	1.70	3.30	3.00
Standstill current	A	I_0	5.70	11.4	9.30
Output current	A	I_N	5.40	9.70	8.30
Max. current	A	I_{max}	16.5	33.0	25.8
Rated voltage	V	$V_{r, AC}$	345	325	335
Rated frequency	Hz	f_N	90	200	80
Moment of inertia	kgcm ²	J	8.10	8.10	14.2
Efficiency		$\eta_{100\%}$	0.840	0.920	0.870
Torque constant	Nm/A	$K_{t0 150^\circ C}$	2.19	1.10	2.74
Voltage constant	V/ 1000rpm	$KE_{LL 150^\circ C}$	126	62.8	150
Stator terminal resistance	Ω	$R_{UV 20^\circ C}$	4.00	1.00	2.08
Stator terminal resistance	Ω	$R_{UV 150^\circ C}$	6.03	1.51	3.13
Stator inductance	mH	L	49.8	12.5	34.1
Mass	kg	m	15.2	15.2	20.2

Product name			MCS14H28-	MCS14L14-	MCS14L30-
Standstill torque	Nm	M_0	25.5	34.5	34.5
Rated torque	Nm	M_N	20.5	30.5	25.5
Max. torque	Nm	M_{max}	54.8	77.1	77.1
Rated speed	rpm	n_N	2775	1350	3000
Rated power	kW	P_N	6.00	4.30	8.00
Standstill current	A	I_0	18.4	13.4	26.7
Output current	A	I_N	15.0	11.8	20.8
Max. current	A	I_{max}	51.5	37.3	74.5
Rated voltage	V	$V_{r, AC}$	325	335	310
Rated frequency	Hz	f_N	185	90	200
Moment of inertia	kgcm ²	J	14.2	23.4	23.4
Efficiency		$\eta_{100\%}$	0.930	0.880	0.920
Torque constant	Nm/A	$K_{t0 150^\circ C}$	1.39	2.57	1.29
Voltage constant	V/ 1000rpm	$KE_{LL 150^\circ C}$	74.6	149	74.5
Stator terminal resistance	Ω	$R_{UV 20^\circ C}$	0.52	1.20	0.40
Stator terminal resistance	Ω	$R_{UV 150^\circ C}$	0.78	1.81	0.60
Stator inductance	mH	L	8.53	22.0	5.51
Mass	kg	m	20.2	24.7	24.7

Motor data

Rated data

Inverter mains connection 400 V, Forced-ventilated



Product name			MCS14P11-	MCS14P26-	MCS19F12-
Standstill torque	Nm	M_0	43.5	43.5	41.5
Rated torque	Nm	M_N	42.0	33.0	38.0
Max. torque	Nm	M_{max}	105	105	86.0
Rated speed	rpm	n_N	1050	2625	1200
Rated power	kW	P_N	4.60	9.10	4.80
Standstill current	A	I_0	14.1	28.3	12.2
Output current	A	I_N	13.4	21.9	11.3
Max. current	A	I_{max}	46.0	92.0	31.3
Rated voltage	V	$V_{r, AC}$	330	325	320
Rated frequency	Hz	f_N	70	175	80
Moment of inertia	kgcm ²	J	34.7	34.7	65.0
Efficiency		$\eta_{100\%}$	0.860	0.920	0.900
Torque constant	Nm/A	$K_{t_{0 150^\circ C}}$	3.09	1.54	3.40
Voltage constant	V/ 1000rpm	$KE_{LL 150^\circ C}$	175	87.4	191
Stator terminal resistance	Ω	$R_{UV 20^\circ C}$	1.20	0.28	1.30
Stator terminal resistance	Ω	$R_{UV 150^\circ C}$	1.81	0.42	1.96
Stator inductance	mH	L	23.9	5.99	20.8
Mass	kg	m	29.7	29.7	30.0

Product name			MCS19F29-	MCS19J12-	MCS19J29-
Standstill torque	Nm	M_0	41.5	70.5	70.5
Rated torque	Nm	M_N	32.5	62.5	50.5
Max. torque	Nm	M_{max}	86.0	129	129
Rated speed	rpm	n_N	2850	1200	2850
Rated power	kW	P_N	9.70	7.90	15.1
Standstill current	A	I_0	24.5	20.3	40.6
Output current	A	I_N	20.1	18.3	31.0
Max. current	A	I_{max}	62.5	44.8	89.6
Rated voltage	V	$V_{r, AC}$	320	320	315
Rated frequency	Hz	f_N	190	80	190
Moment of inertia	kgcm ²	J	65.0	105	105
Efficiency		$\eta_{100\%}$	0.950	0.890	0.930
Torque constant	Nm/A	$K_{t_{0 150^\circ C}}$	1.69	3.47	1.74
Voltage constant	V/ 1000rpm	$KE_{LL 150^\circ C}$	95.0	195	97.3
Stator terminal resistance	Ω	$R_{UV 20^\circ C}$	0.32	0.66	0.16
Stator terminal resistance	Ω	$R_{UV 150^\circ C}$	0.48	0.99	0.24
Stator inductance	mH	L	5.20	12.8	3.20
Mass	kg	m	30.0	37.0	37.0

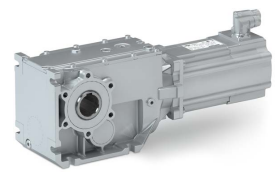


Motor data

Rated data

Inverter mains connection 400 V, Forced-ventilated

Product name			MCS19P12-	MCS19P29-
Standstill torque	Nm	M_0	86.0	86.0
Rated torque	Nm	M_N	72.0	53.0
Max. torque	Nm	M_{max}	190	190
Rated speed	rpm	n_N	1200	2850
Rated power	kW	P_N	9.00	15.8
Standstill current	A	I_0	22.4	44.7
Output current	A	I_N	21.3	29.5
Max. current	A	I_{max}	60.0	120
Rated voltage	V	$V_{r, AC}$	310	315
Rated frequency	Hz	f_N	80	190
Moment of inertia	kgcm ²	J	160	160
Efficiency		$\eta_{100\%}$	0.900	0.930
Torque constant	Nm/A	$K_{t_{0 150^\circ C}}$	3.84	1.92
Voltage constant	V/ 1000rpm	$K_{E_{LL 150^\circ C}}$	211	106
Stator terminal resistance	Ω	$R_{UV 20^\circ C}$	0.54	0.14
Stator terminal resistance	Ω	$R_{UV 150^\circ C}$	0.81	0.21
Stator inductance	mH	L	9.60	2.40
Mass	kg	m	47.0	47.0

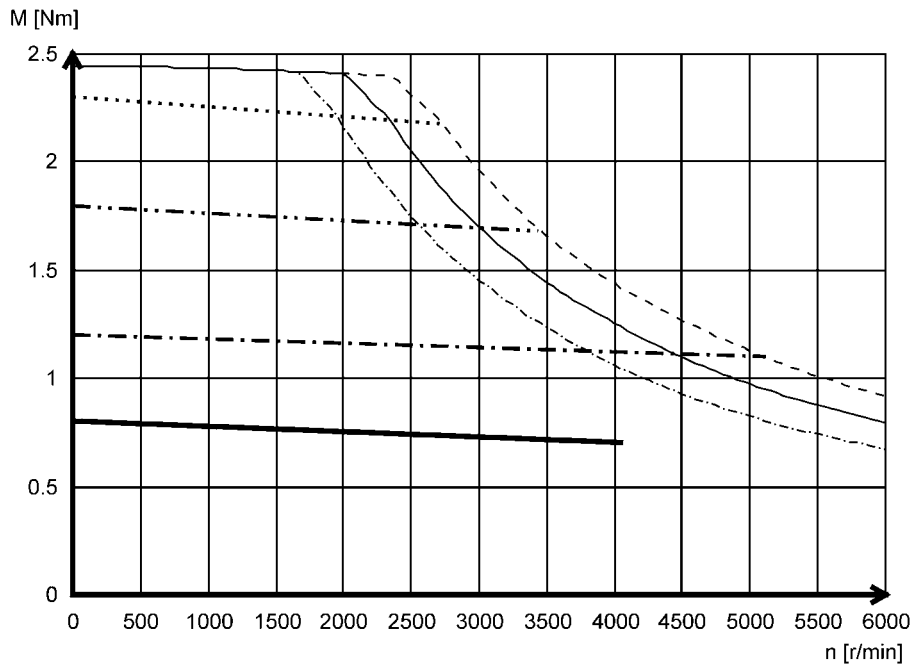


Torque characteristics



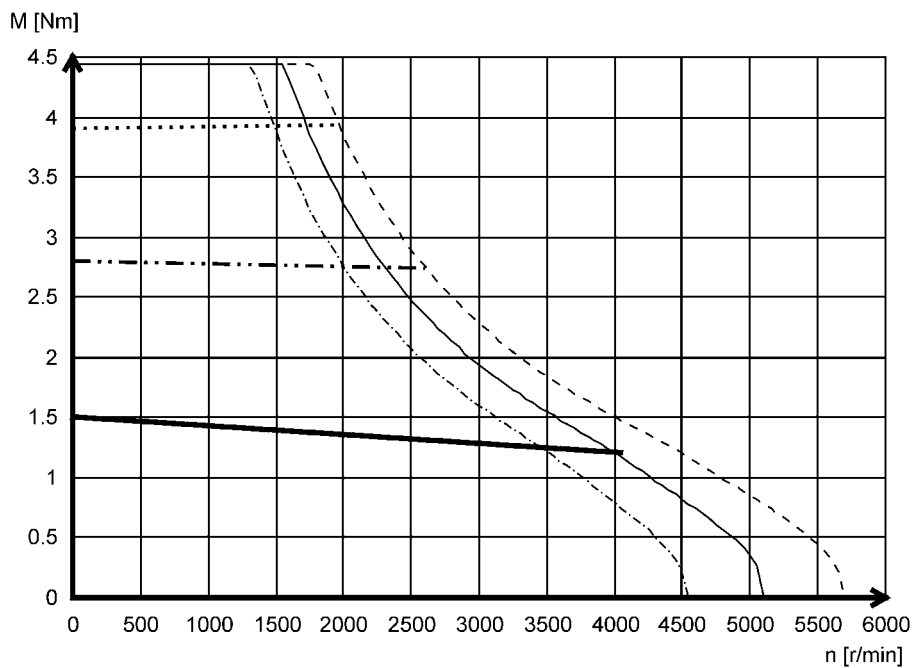
The data apply to an inverter mains voltage of 3 x 400 V.

MCS06C41- (self-ventilated)



- Mmax 440 V
- Mmax 400 V
- - - - Mmax 360 V
- Mmax @ I_{max}= 4x I₀
- · - · Mmax @ I_{max}= 3x I₀
- - - Mmax @ I_{max}= 2x I₀
- S1

MCS06F41- (self-ventilated)



- Mmax 440 V
- Mmax 400 V
- - - - Mmax 360 V
- Mmax @ I_{max}= 3x I₀
- · - · Mmax @ I_{max}= 2x I₀
- S1

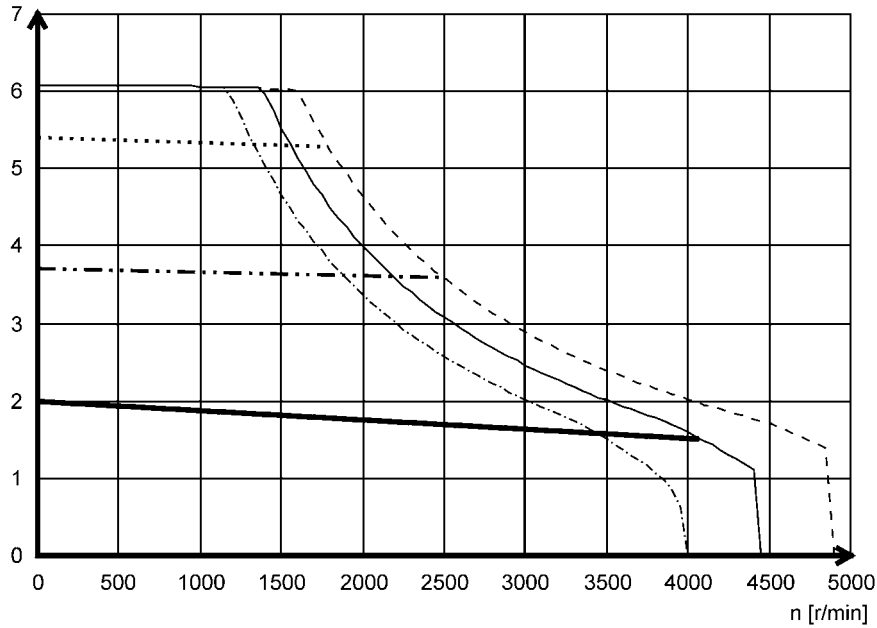


Motor data

Torque characteristics

MCS06I41- (self-ventilated)

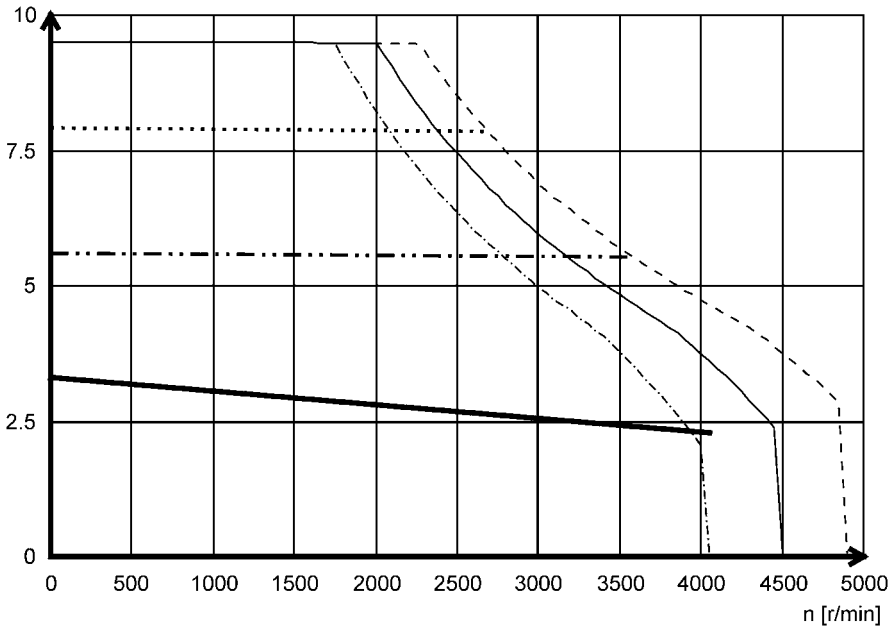
M [Nm]



- Mmax 440 V
- Mmax 400 V
- - - - Mmax 360 V
- Mmax @ I_{max}= 3x I₀
- · - · Mmax @ I_{max}= 2x I₀
- S1

MCS09D41- (self-ventilated)

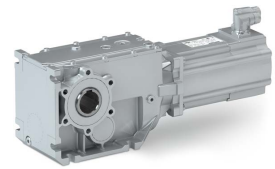
M [Nm]



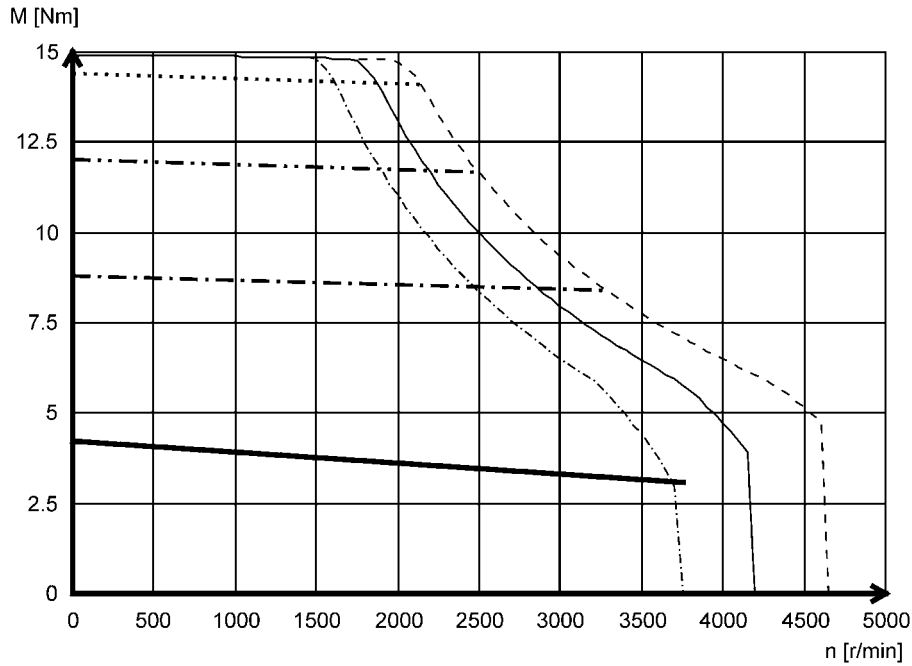
- Mmax 440 V
- Mmax 400 V
- - - - Mmax 360 V
- Mmax @ I_{max}= 3x I₀
- · - · Mmax @ I_{max}= 2x I₀
- S1

Motor data

Torque characteristics

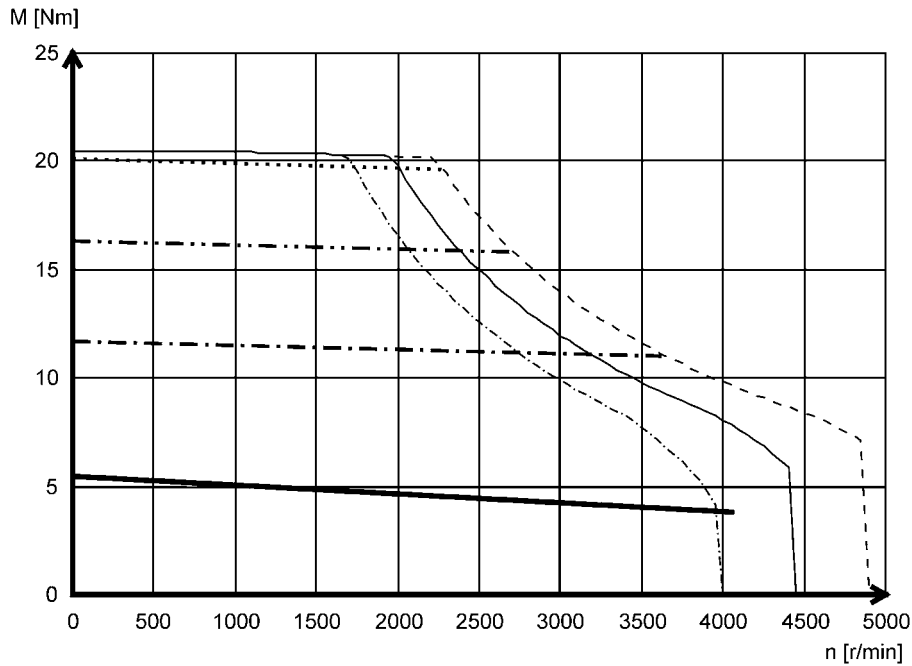


MCS09F38- (self-ventilated)



- Mmax 440 V
- Mmax 400 V
- - - - Mmax 360 V
- Mmax @ I_{max}= 4x I₀
- · - · Mmax @ I_{max}= 3x I₀
- · - · Mmax @ I_{max}= 2x I₀
- S1

MCS09H41- (self-ventilated)



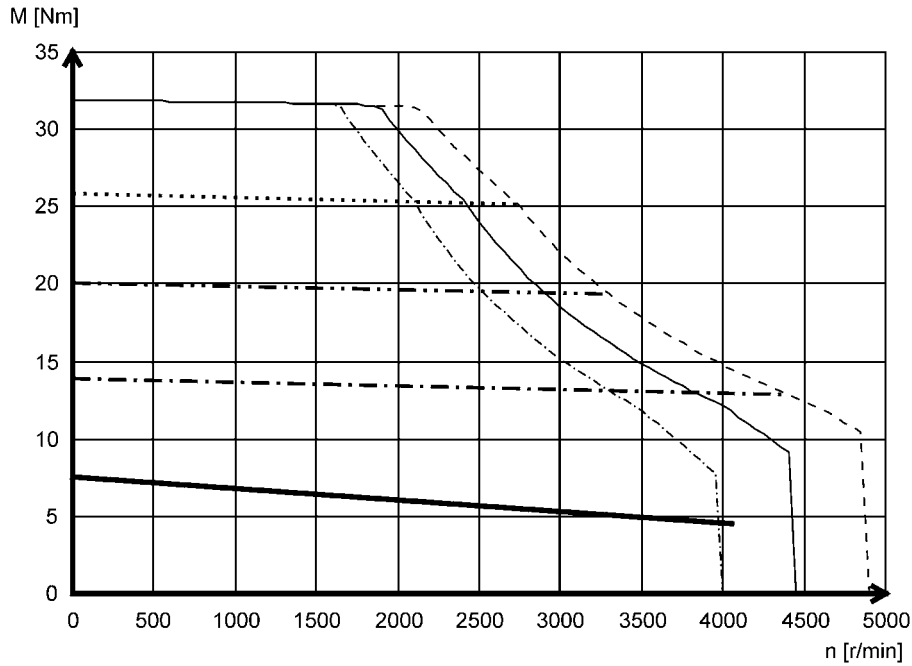
- Mmax 440 V
- Mmax 400 V
- - - - Mmax 360 V
- Mmax @ I_{max}= 4x I₀
- · - · Mmax @ I_{max}= 3x I₀
- · - · Mmax @ I_{max}= 2x I₀
- S1



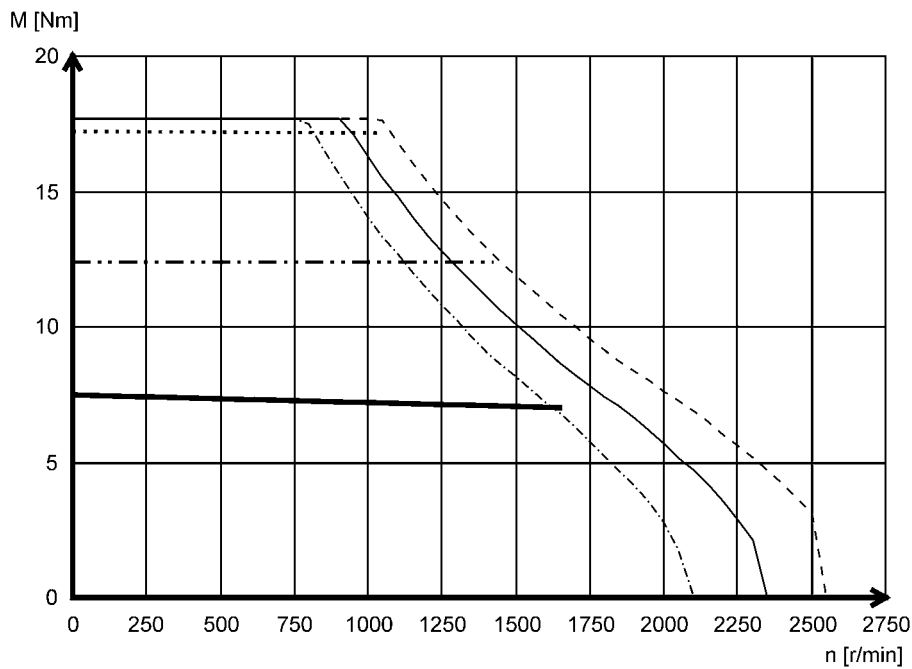
Motor data

Torque characteristics

MCS09L41- (self-ventilated)

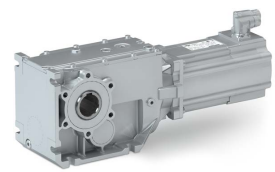


MCS12D17- (forced ventilated)

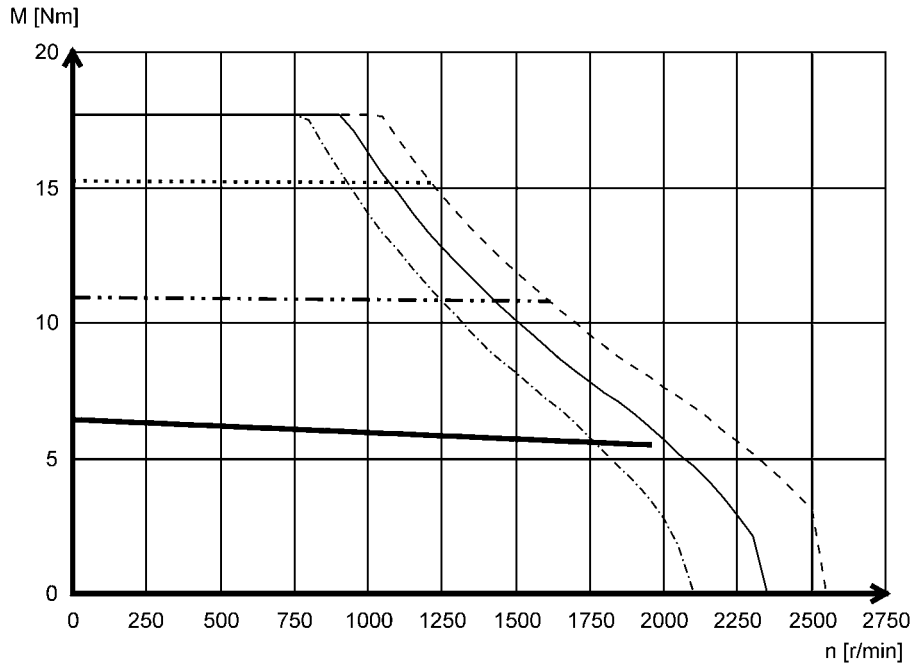


Motor data

Torque characteristics

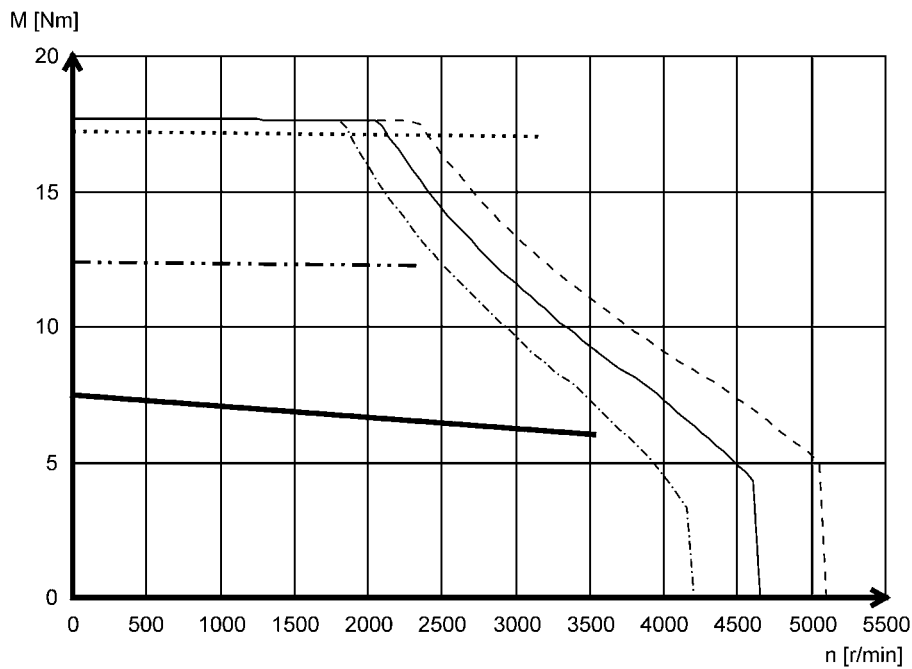


MCS12D20- (self-ventilated)



- Mmax 440 V
- Mmax 400 V
- · - · Mmax 360 V
- Mmax @ Imax= 3x I₀
- · - · - Mmax @ Imax= 2x I₀
- S1

MCS12D35- (forced ventilated)



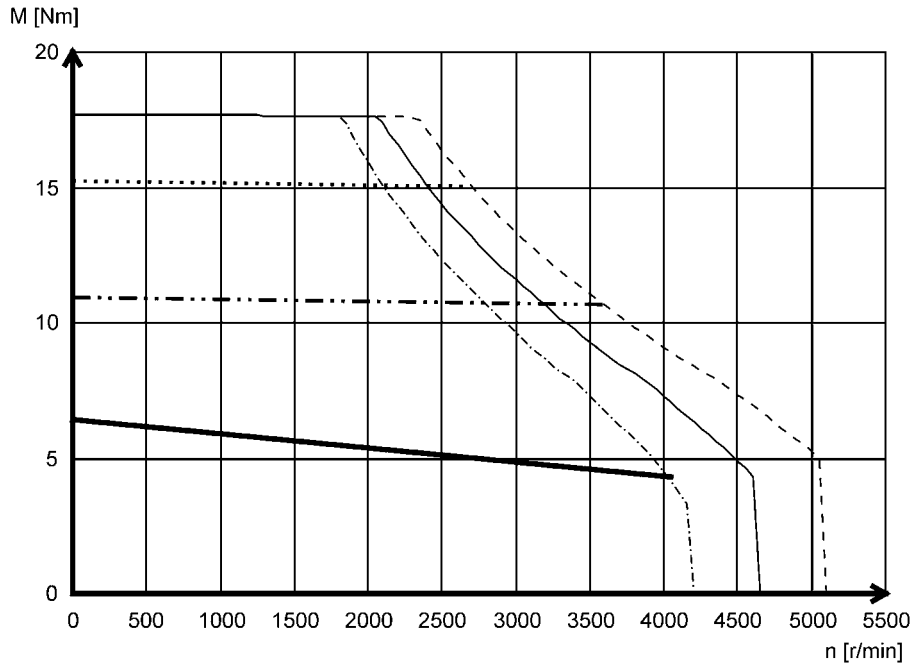
- Mmax 440 V
- Mmax 400 V
- · - · Mmax 360 V
- Mmax @ Imax= 3x I₀
- · - · - Mmax @ Imax= 2x I₀
- S1



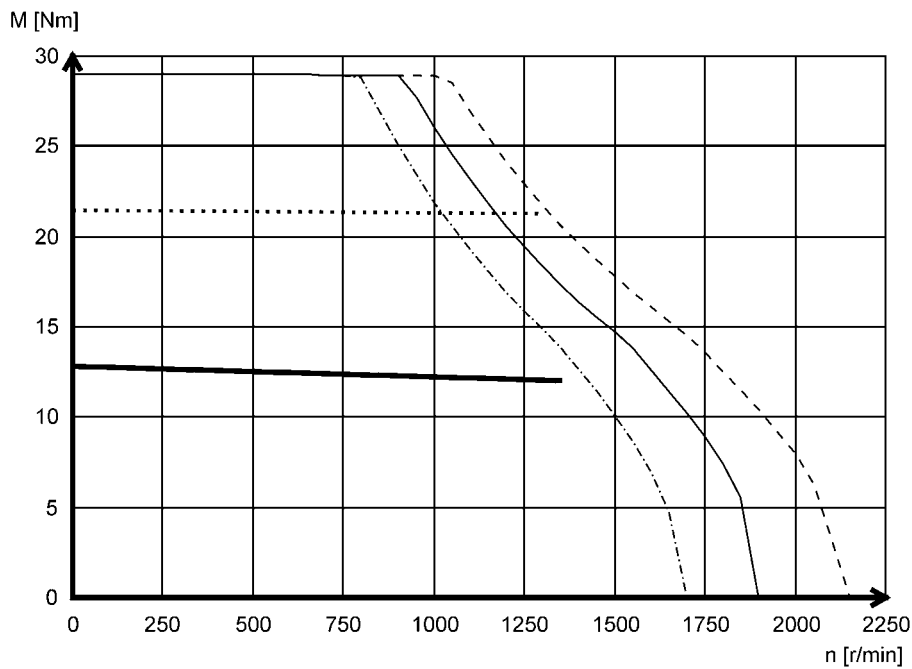
Motor data

Torque characteristics

MCS12D41- (self-ventilated)

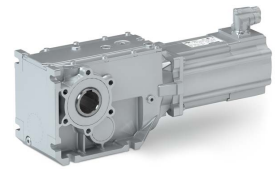


MCS12H14- (forced ventilated)

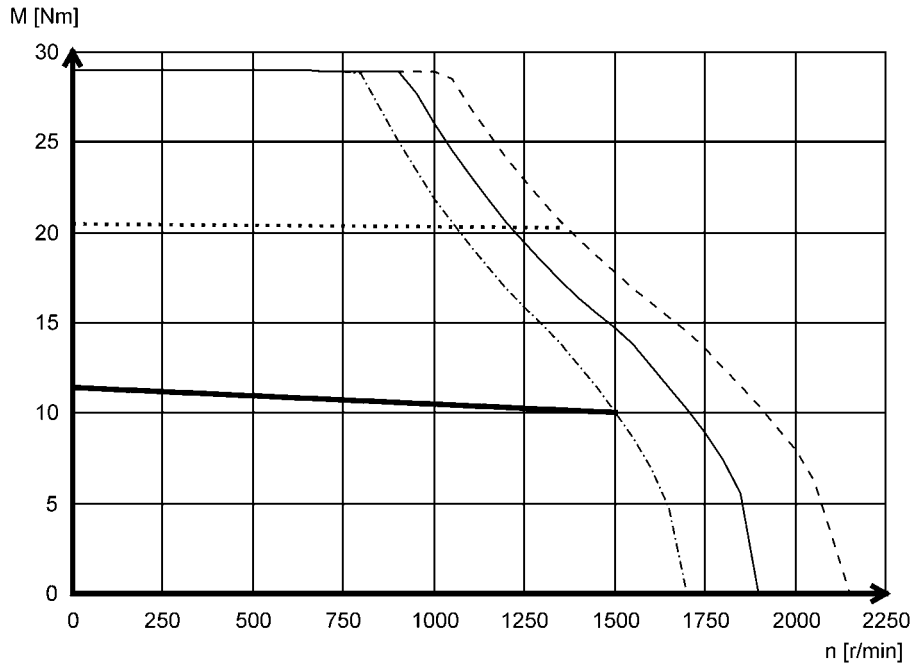


Motor data

Torque characteristics

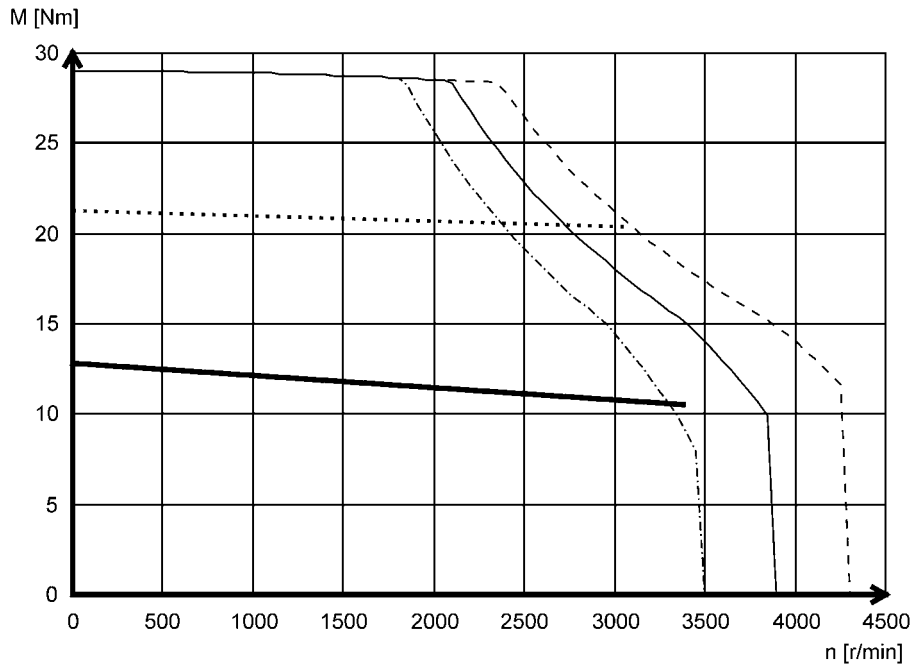


MCS12H15- (self-ventilated)

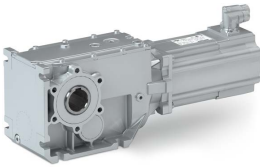


- Mmax 440 V
- Mmax 400 V
- · - · Mmax 360 V
- Mmax @ Imax= 2x I0
- S1

MCS12H34- (forced ventilated)



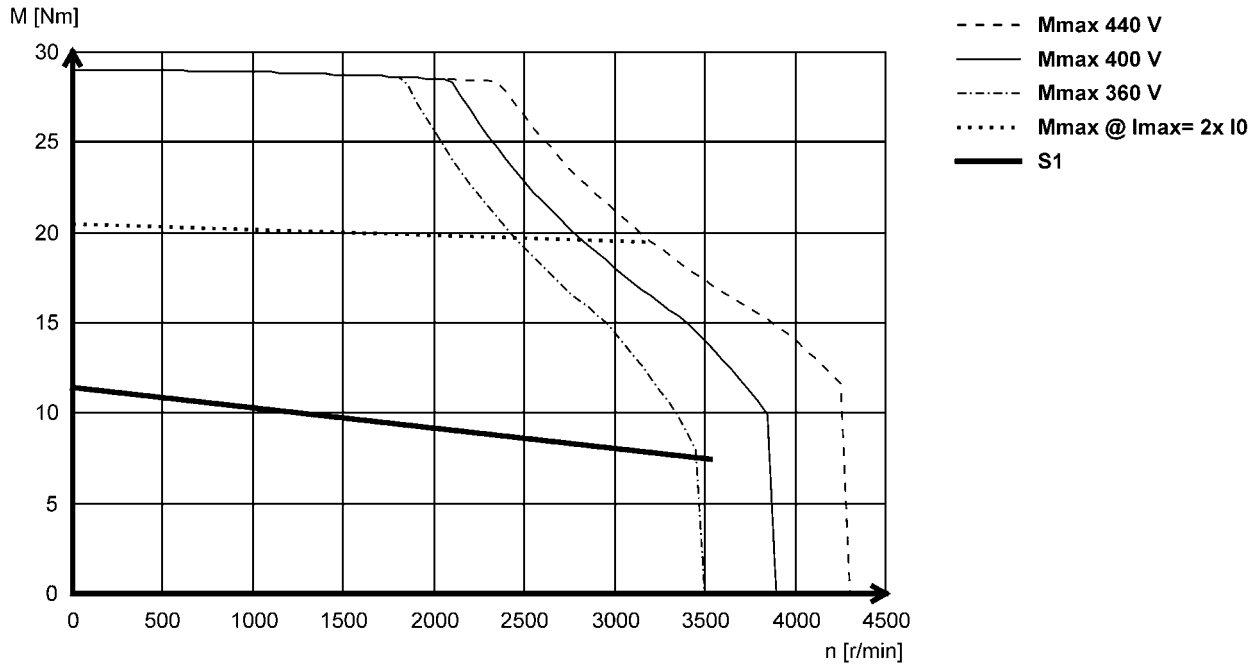
- Mmax 440 V
- Mmax 400 V
- · - · Mmax 360 V
- Mmax @ Imax= 2x I0
- S1



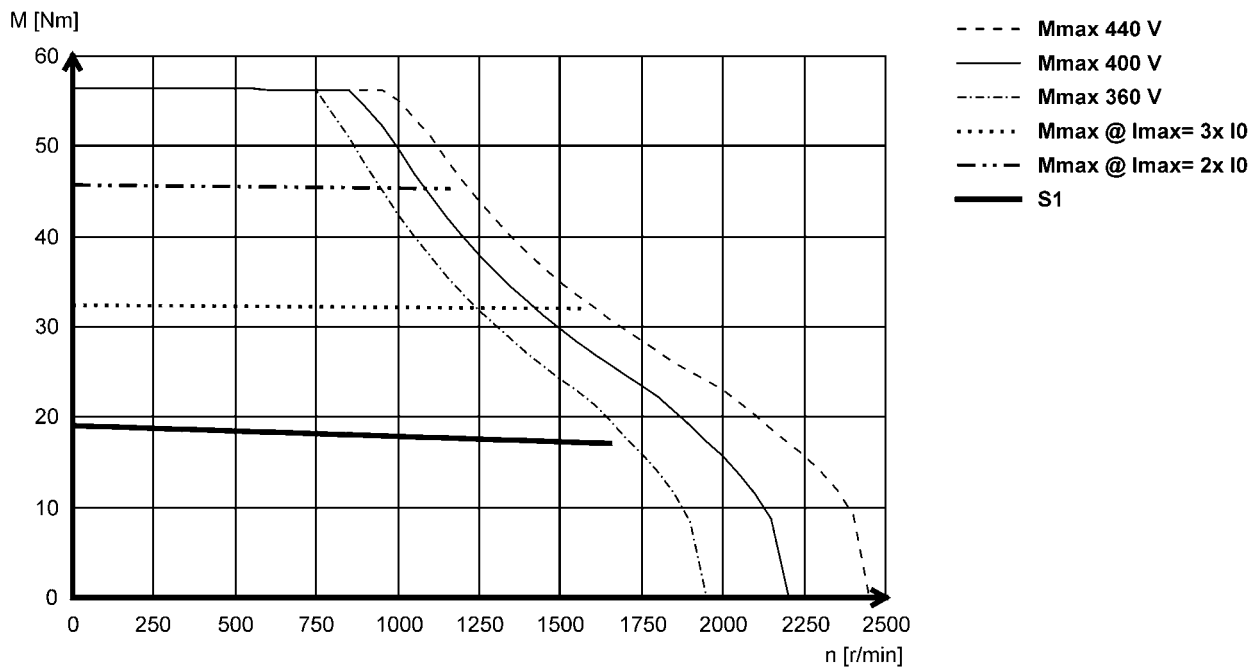
Motor data

Torque characteristics

MCS12H35- (self-ventilated)

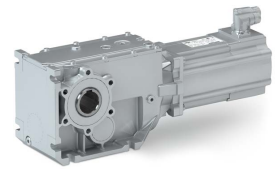


MCS12L17- (forced ventilated)

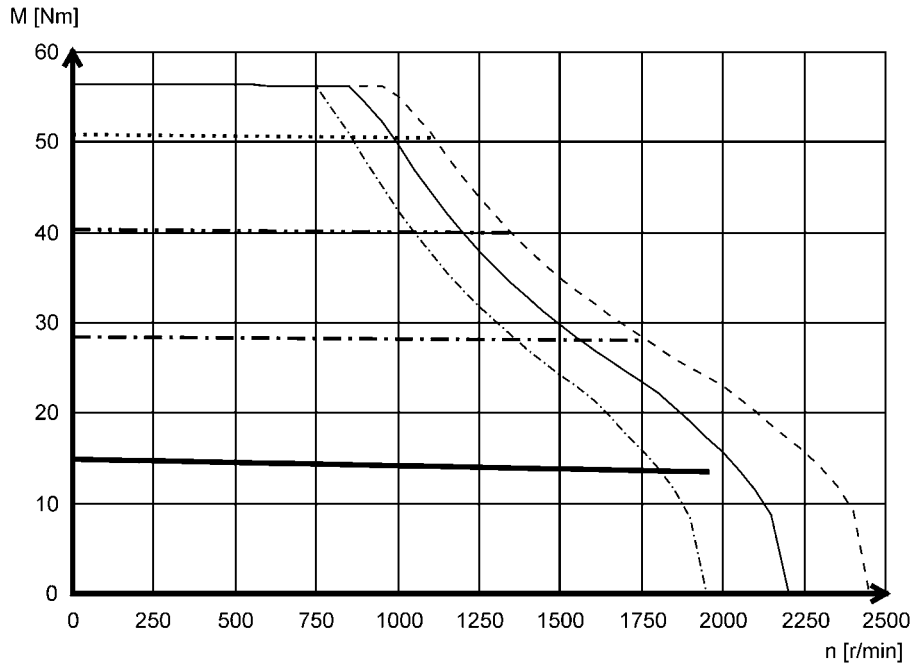


Motor data

Torque characteristics

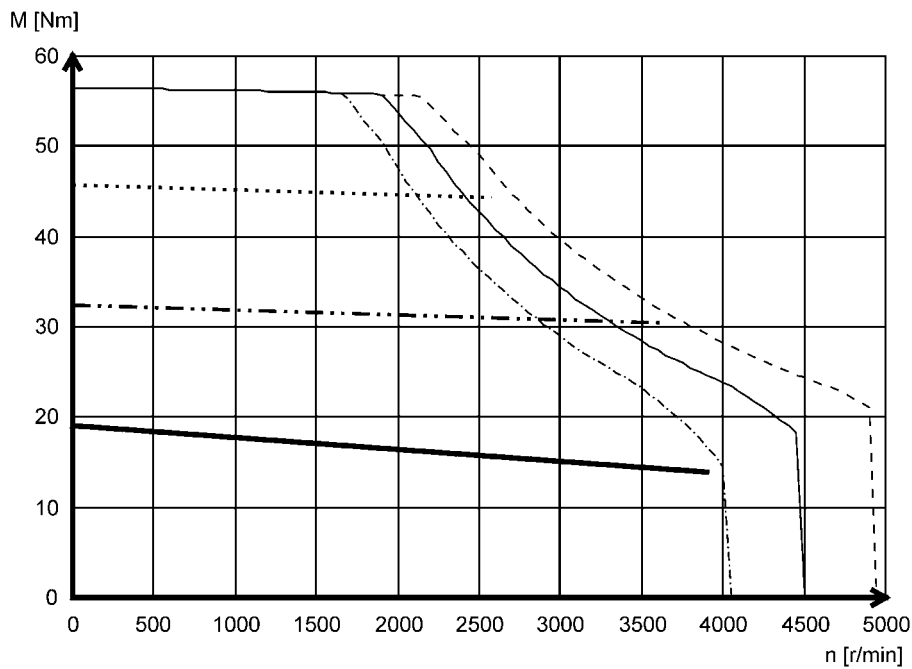


MCS12L20- (self-ventilated)

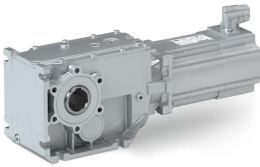


- Mmax 440 V
- Mmax 400 V
- · - · - Mmax 360 V
- Mmax @ I_{max}= 4x I₀
- · · · - Mmax @ I_{max}= 3x I₀
- - - - Mmax @ I_{max}= 2x I₀
- S1

MCS12L39- (forced ventilated)



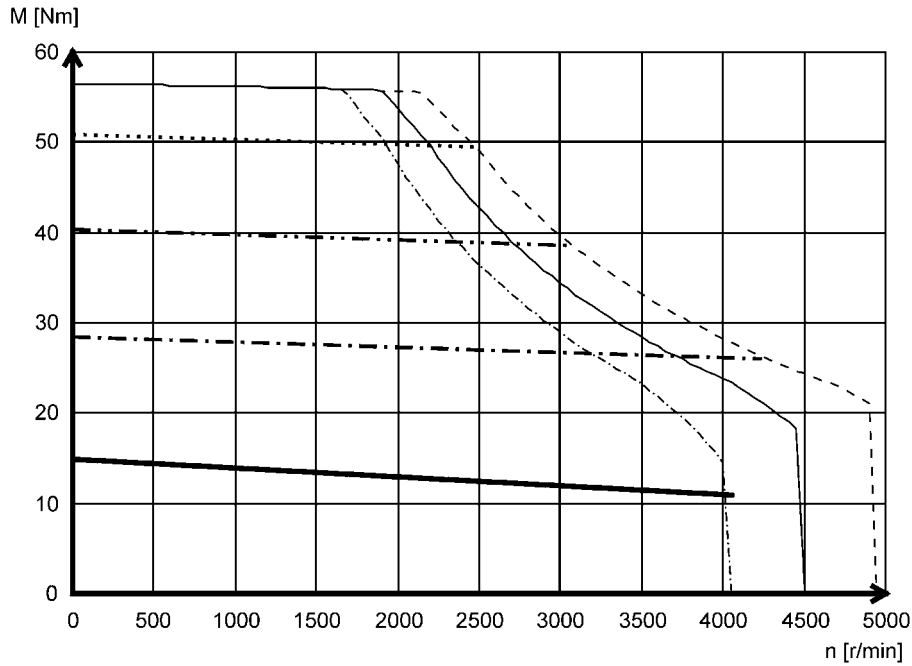
- Mmax 440 V
- Mmax 400 V
- · - · - Mmax 360 V
- Mmax @ I_{max}= 3x I₀
- · · · - Mmax @ I_{max}= 2x I₀
- S1



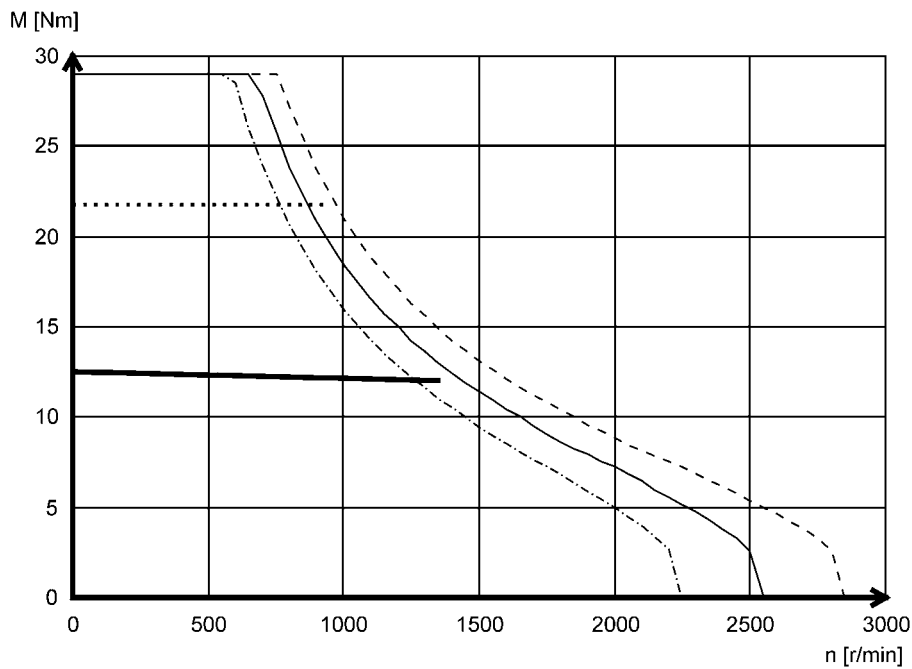
Motor data

Torque characteristics

MCS12L41- (self-ventilated)

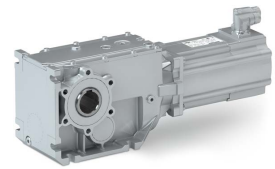


MCS14D14- (forced ventilated)

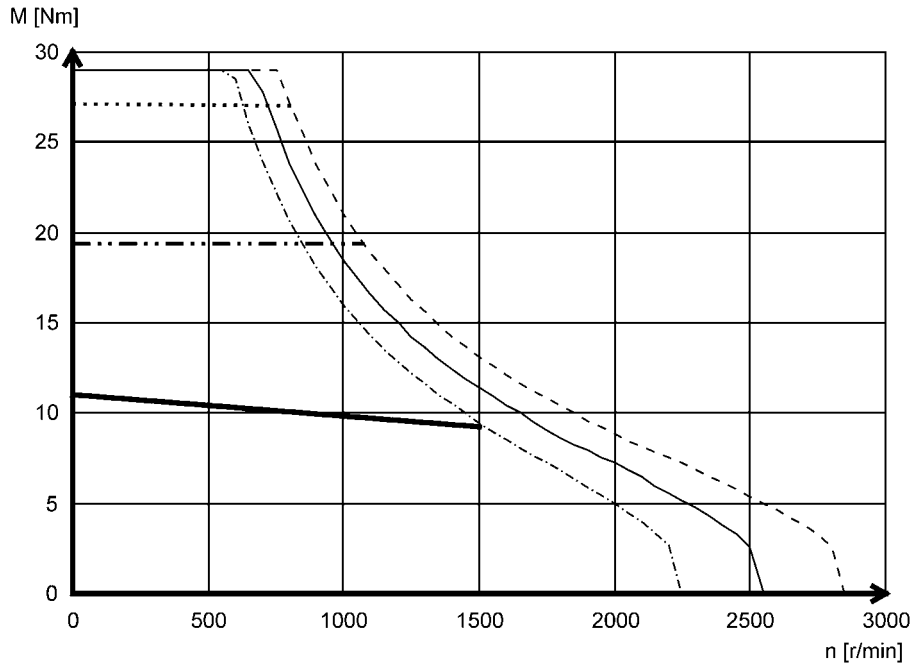


Motor data

Torque characteristics

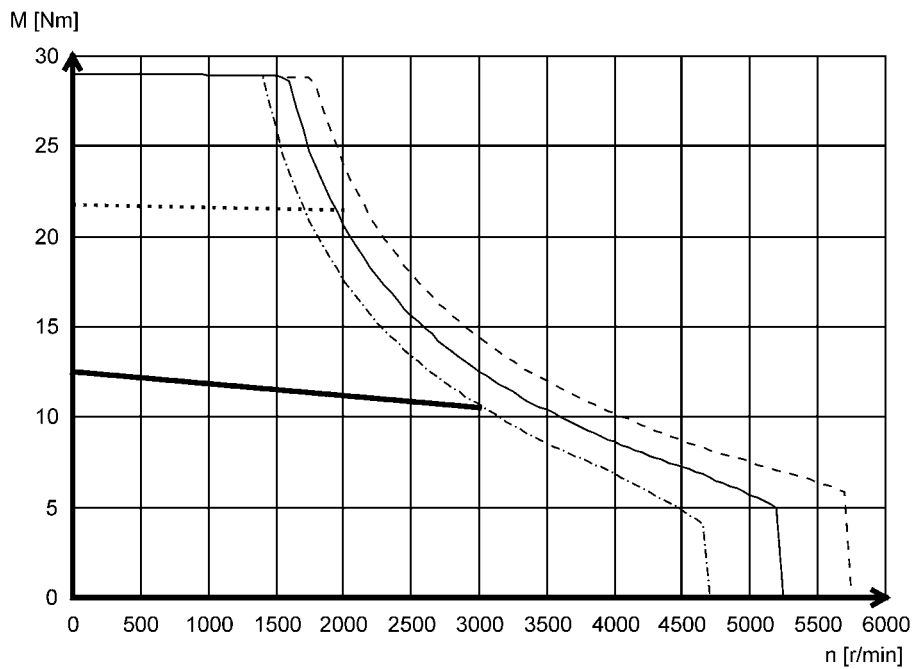


MCS14D15- (self-ventilated)



- Mmax 440 V
- Mmax 400 V
- · - · Mmax 360 V
- Mmax @ Imax= 3x I0
- · · - Mmax @ Imax= 2x I0
- S1

MCS14D30- (forced ventilated)



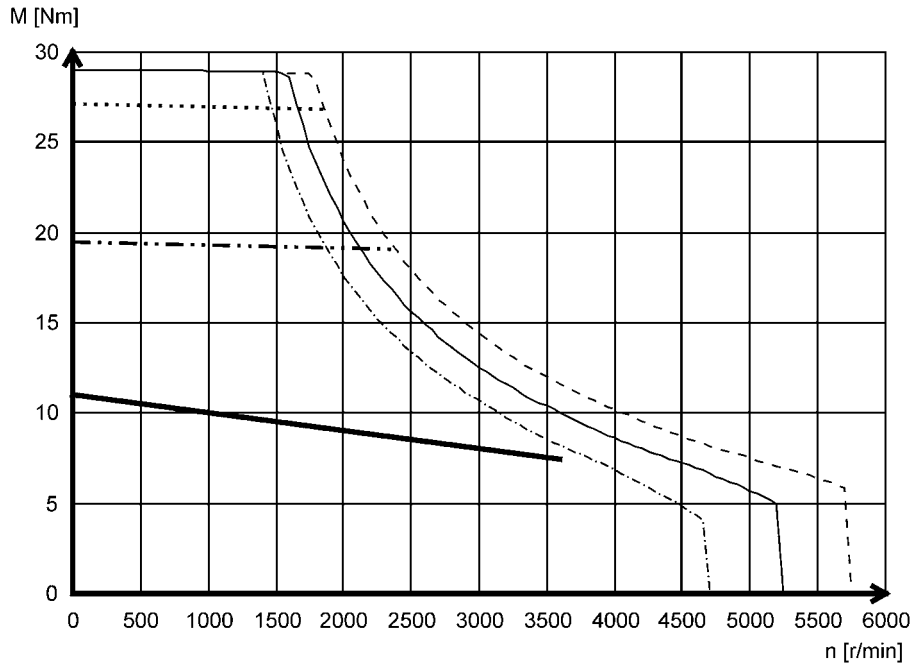
- Mmax 440 V
- Mmax 400 V
- · - · Mmax 360 V
- Mmax @ Imax= 2x I0
- S1



Motor data

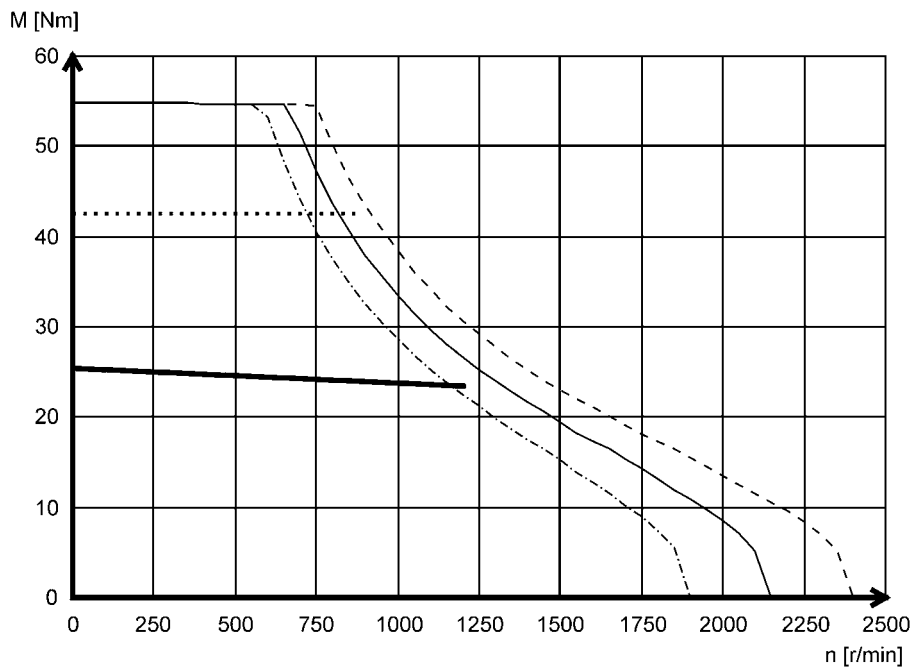
Torque characteristics

MCS14D36- (self-ventilated)



- Mmax 440 V
- Mmax 400 V
- · - · Mmax 360 V
- Mmax @ Imax= 3x I0
- · · - Mmax @ Imax= 2x I0
- S1

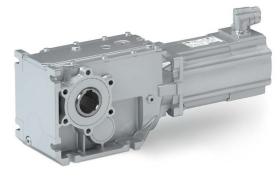
MCS14H12- (forced ventilated)



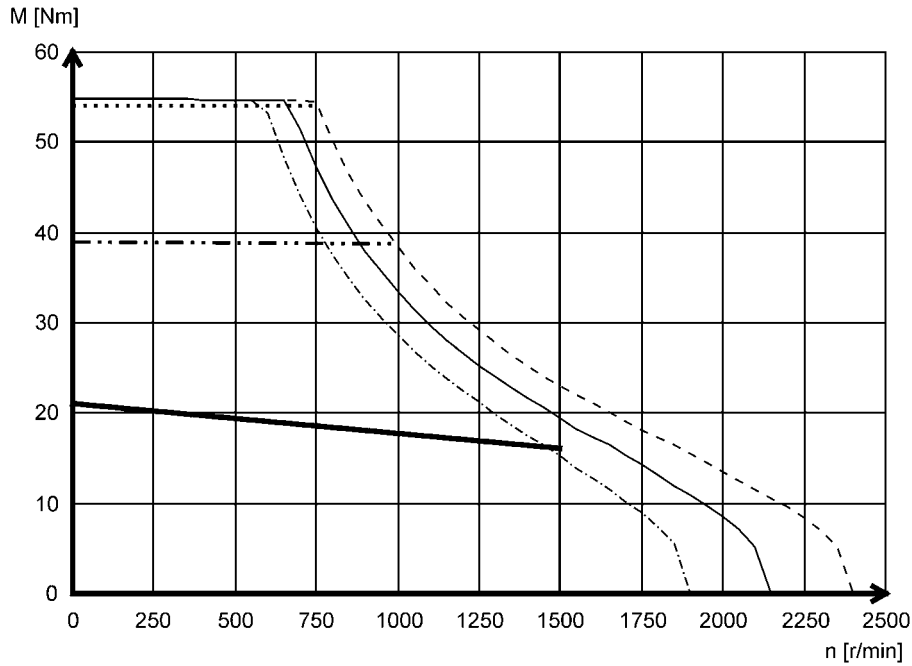
- Mmax 440 V
- Mmax 400 V
- · - · Mmax 360 V
- Mmax @ Imax= 2x I0
- · · - Mmax @ Imax= 2x I0
- S1

Motor data

Torque characteristics

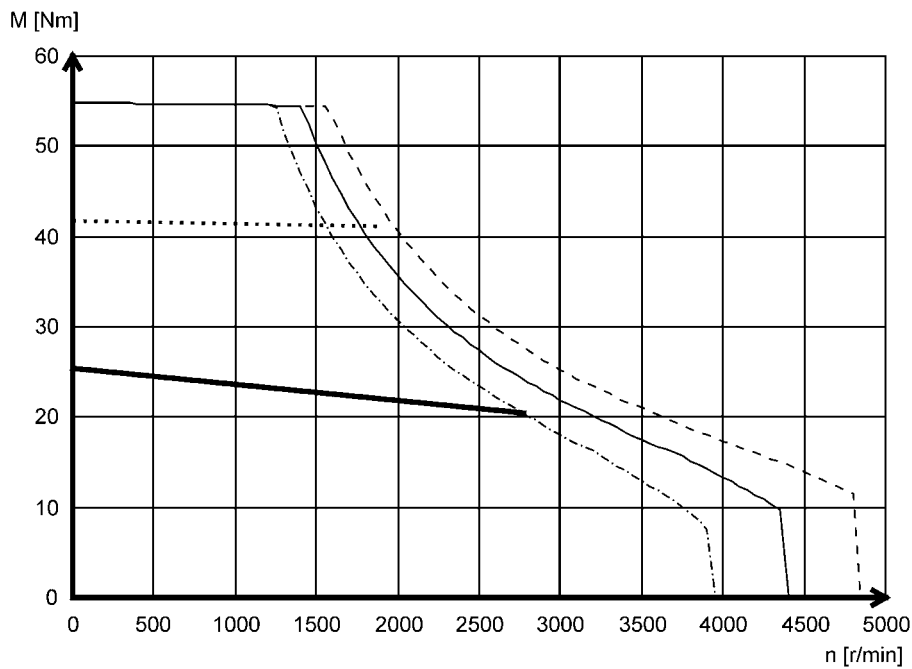


MCS14H15- (self-ventilated)

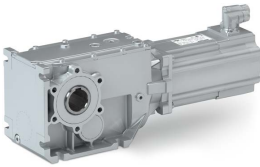


- Mmax 440 V
- Mmax 400 V
- · - · Mmax 360 V
- Mmax @ I_{max}= 3x I₀
- · · - Mmax @ I_{max}= 2x I₀
- S1

MCS14H28- (forced ventilated)



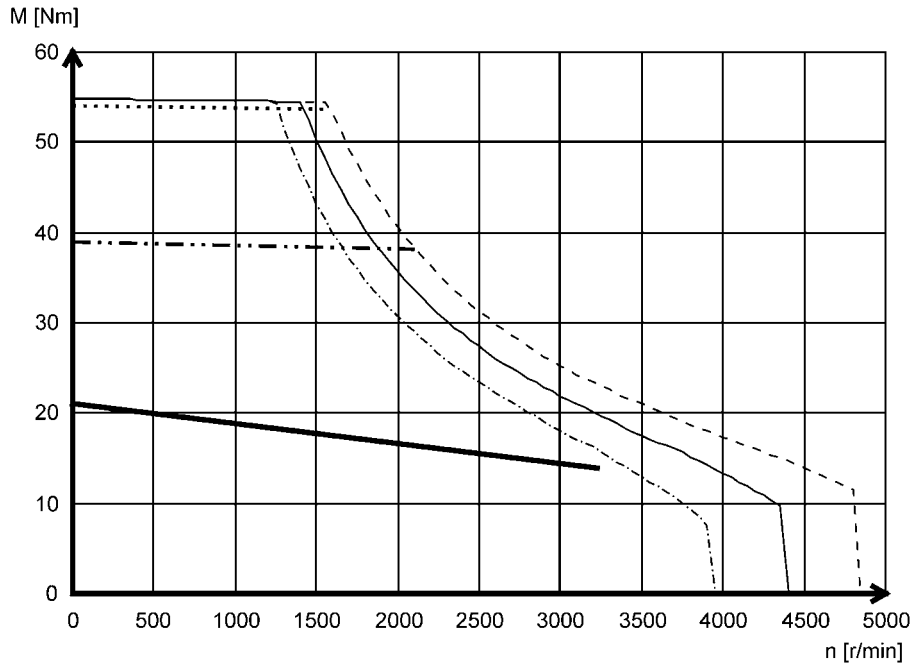
- Mmax 440 V
- Mmax 400 V
- · - · Mmax 360 V
- Mmax @ I_{max}= 2x I₀
- S1



Motor data

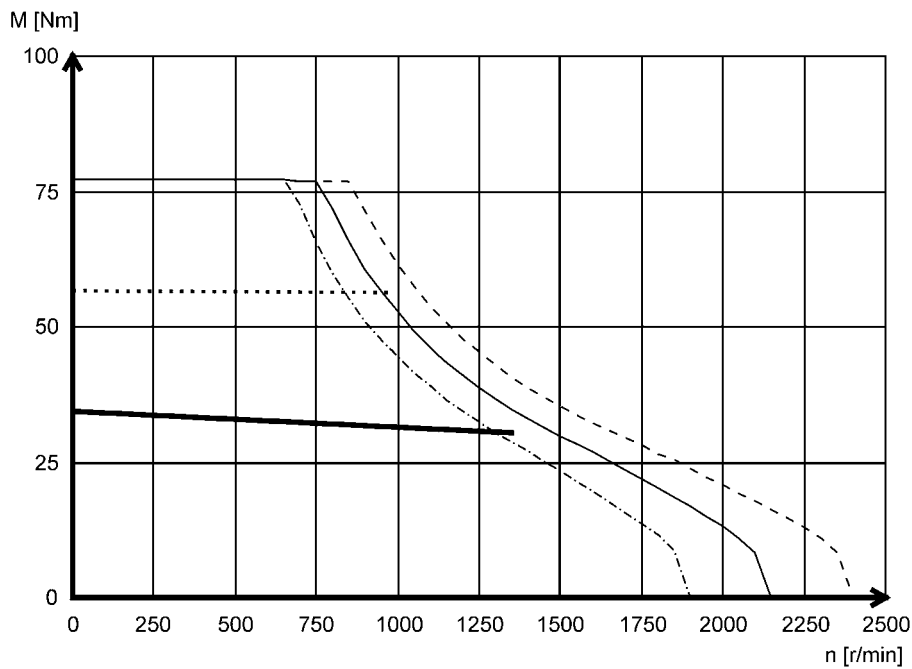
Torque characteristics

MCS14H32- (self-ventilated)



- Mmax 440 V
- Mmax 400 V
- · - · Mmax 360 V
- Mmax @ Imax= 3x I0
- · - · Mmax @ Imax= 2x I0
- S1

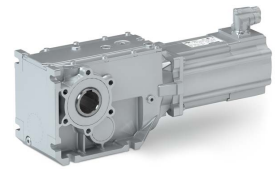
MCS14L14- (forced ventilated)



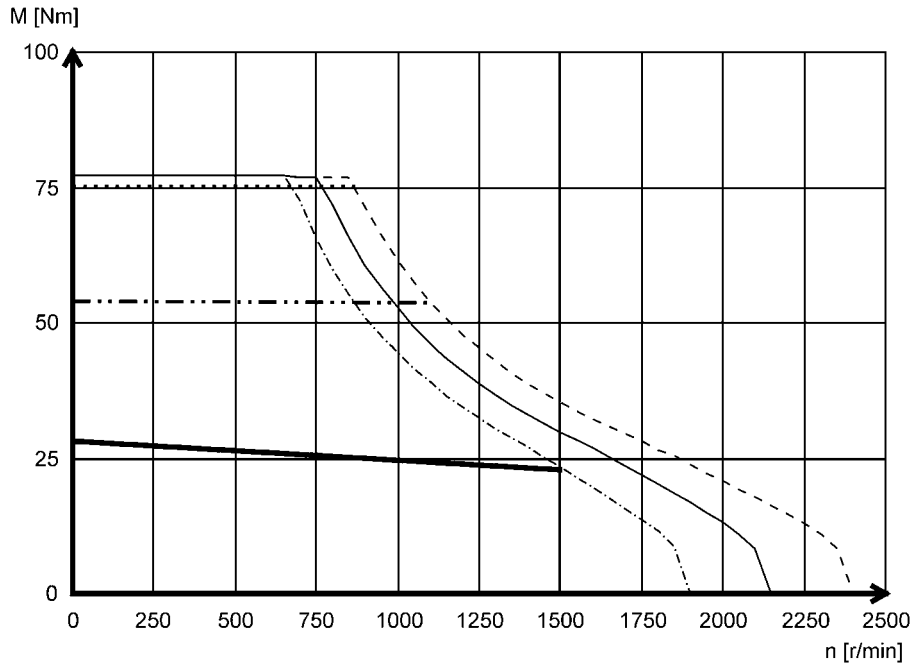
- Mmax 440 V
- Mmax 400 V
- · - · Mmax 360 V
- Mmax @ Imax= 2x I0
- S1

Motor data

Torque characteristics

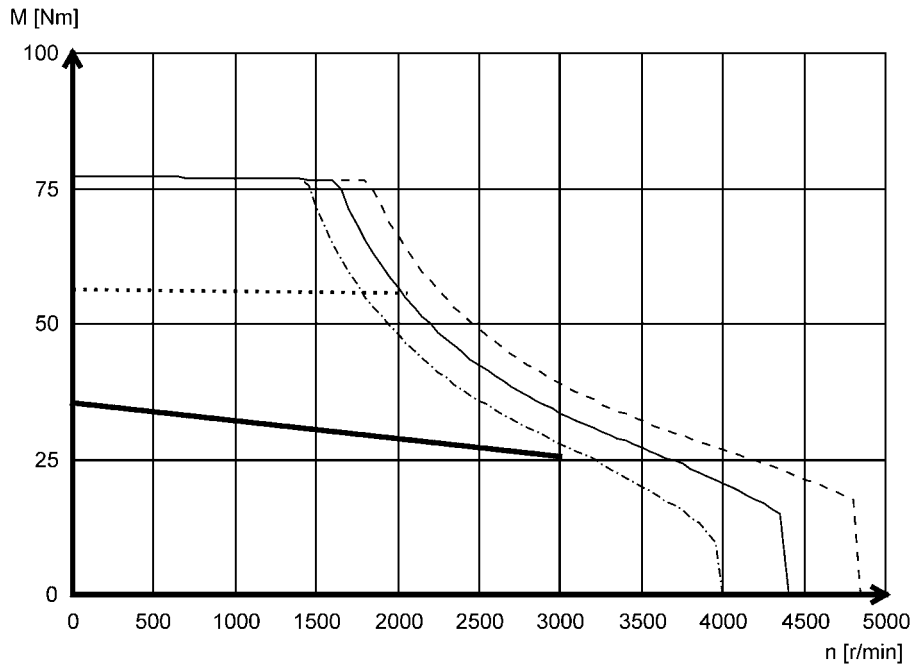


MCS14L15- (self-ventilated)



- Mmax 440 V
- Mmax 400 V
- · - · Mmax 360 V
- Mmax @ Imax= 3x I0
- - - - Mmax @ Imax= 2x I0
- S1

MCS14L30- (forced ventilated)



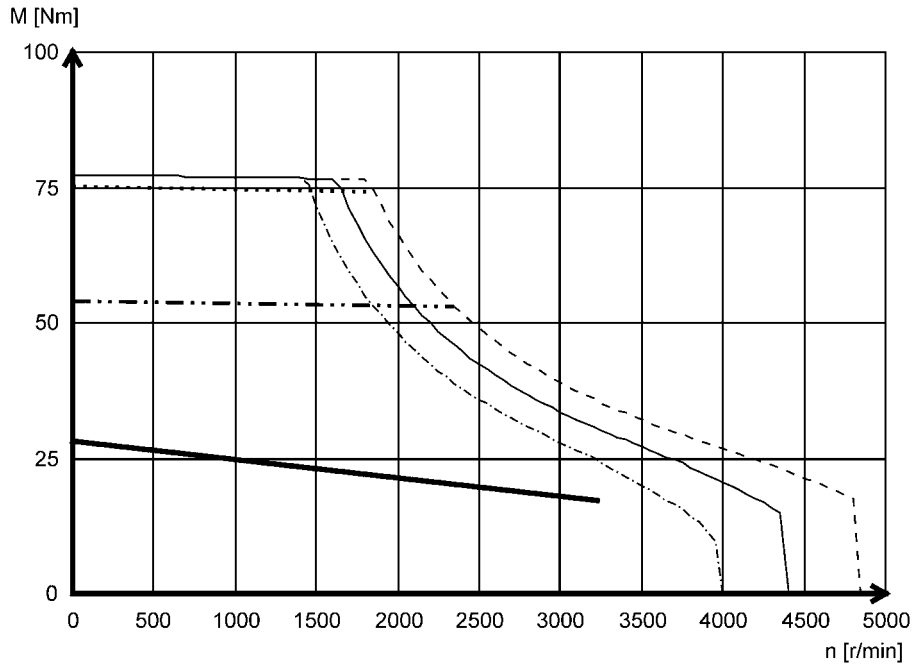
- Mmax 440 V
- Mmax 400 V
- · - · Mmax 360 V
- Mmax @ Imax= 2x I0
- S1



Motor data

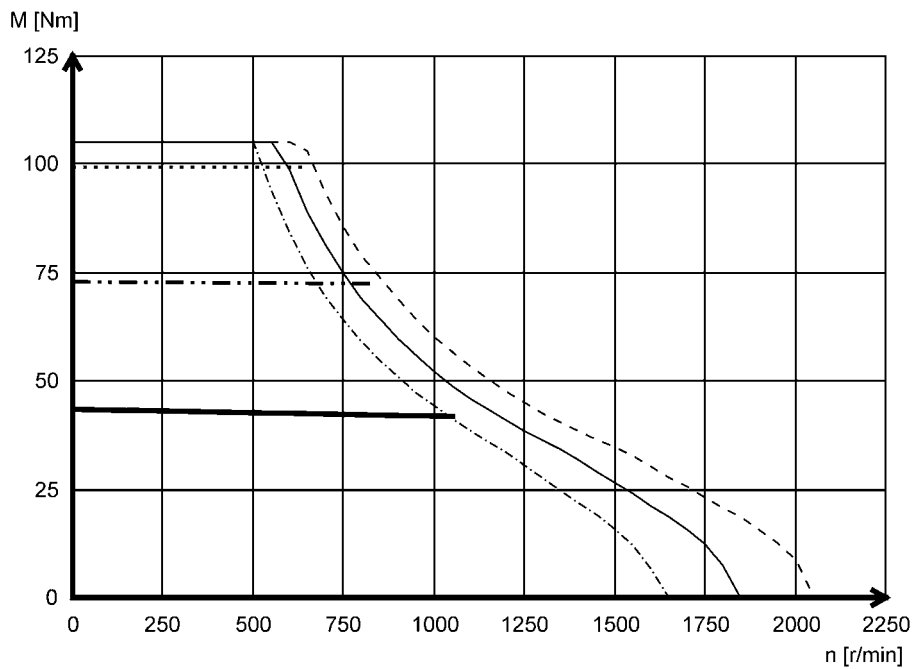
Torque characteristics

MCS14L32- (self-ventilated)



- Mmax 440 V
- Mmax 400 V
- Mmax 360 V
- Mmax @ Imax= 3x I₀
- · - · Mmax @ Imax= 2x I₀
- S1

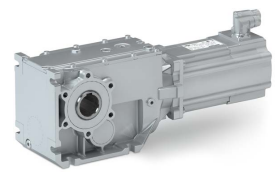
MCS14P11- (forced ventilated)



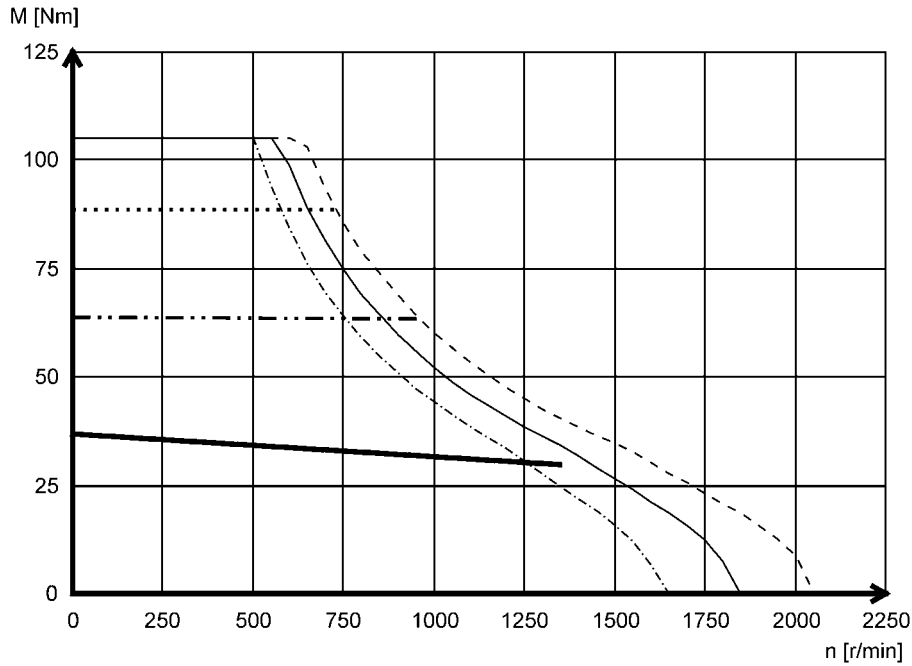
- Mmax 440 V
- Mmax 400 V
- Mmax 360 V
- Mmax @ Imax= 3x I₀
- · - · Mmax @ Imax= 2x I₀
- S1

Motor data

Torque characteristics

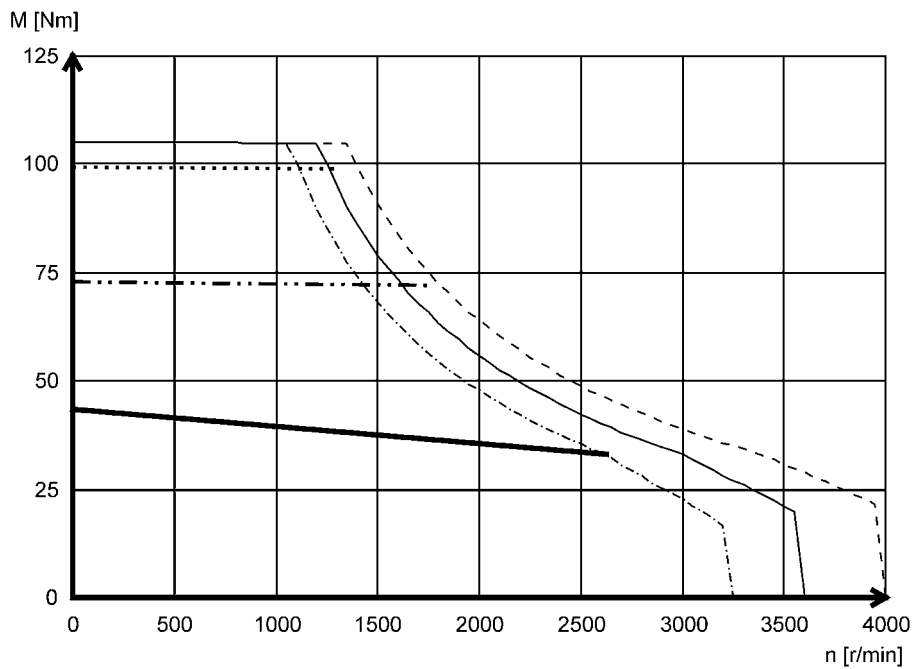


MCS14P14- (self-ventilated)

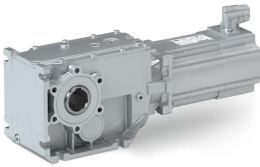


- Mmax 440 V
- Mmax 400 V
- · - · - Mmax 360 V
- Mmax @ I_{max}= 3x I₀
- - - - Mmax @ I_{max}= 2x I₀
- S1

MCS14P26- (forced ventilated)



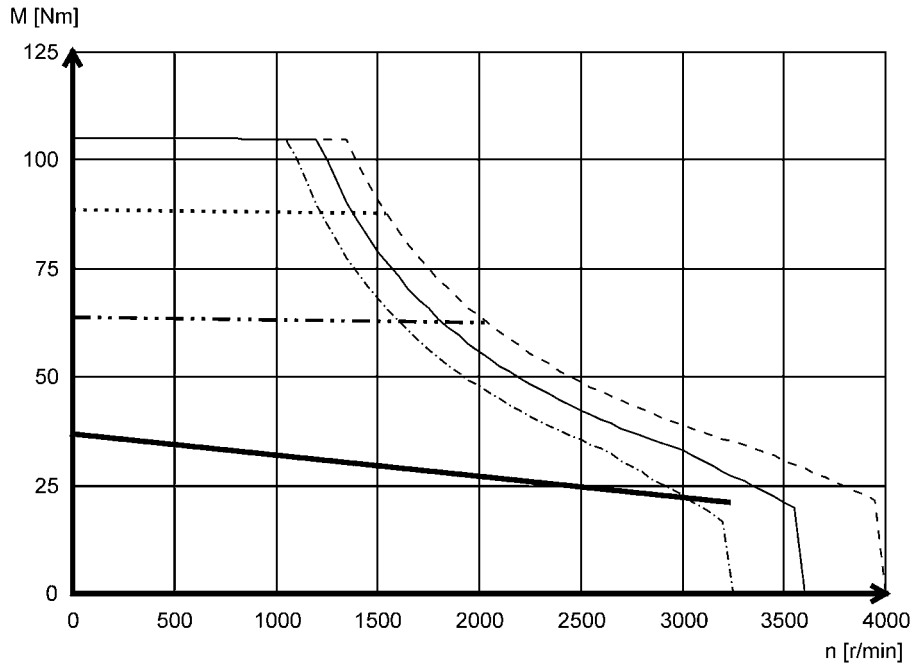
- Mmax 440 V
- Mmax 400 V
- · - · - Mmax 360 V
- Mmax @ I_{max}= 3x I₀
- - - - Mmax @ I_{max}= 2x I₀
- S1



Motor data

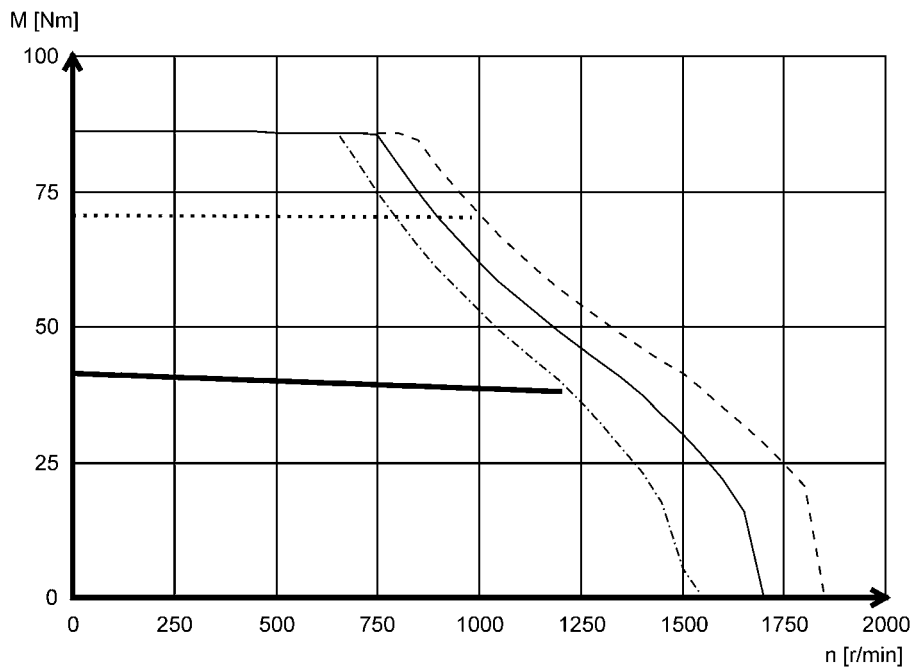
Torque characteristics

MCS14P32- (self-ventilated)



- Mmax 440 V
- Mmax 400 V
- · - · Mmax 360 V
- Mmax @ Imax= 3x I0
- · · - Mmax @ Imax= 2x I0
- S1

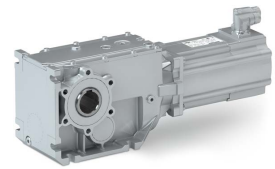
MCS19F12- (forced ventilated)



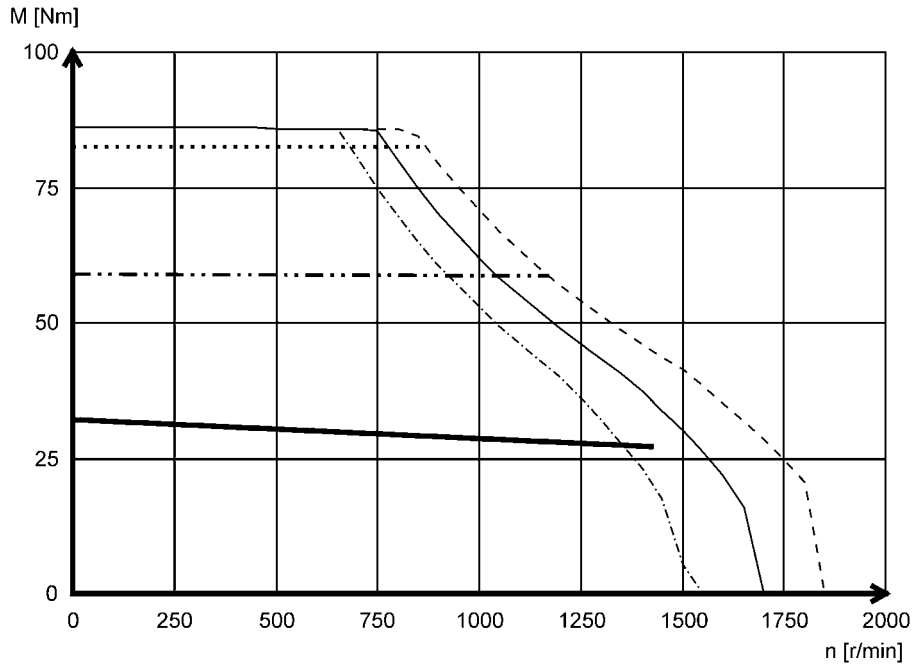
- Mmax 440 V
- Mmax 400 V
- · - · Mmax 360 V
- Mmax @ Imax= 2x I0
- S1

Motor data

Torque characteristics

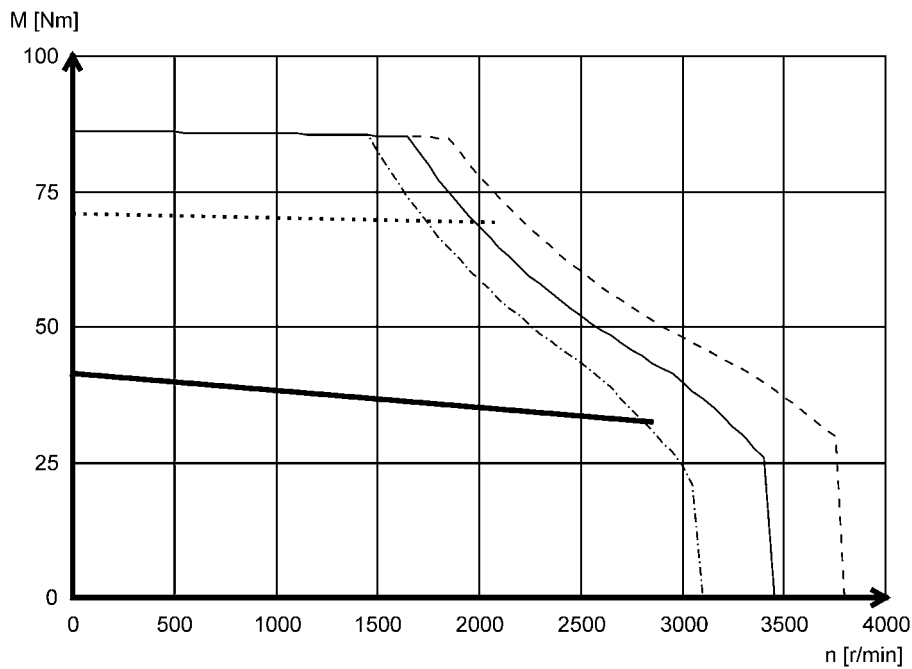


MCS19F14- (self-ventilated)



- Mmax 440 V
- Mmax 400 V
- · - · Mmax 360 V
- Mmax @ Imax= 3x I₀
- · - · - Mmax @ Imax= 2x I₀
- S1

MCS19F29- (forced ventilated)



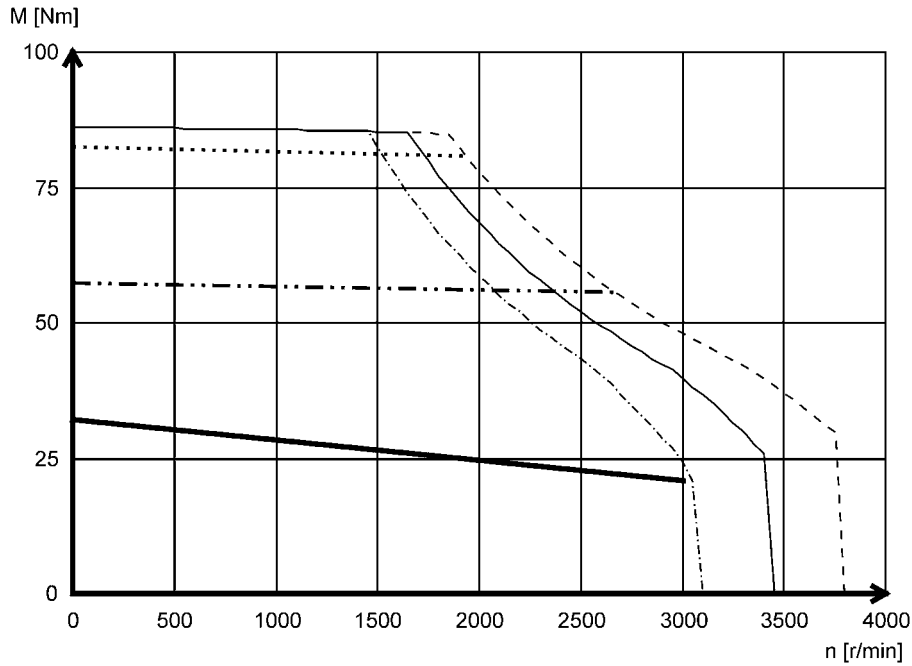
- Mmax 440 V
- Mmax 400 V
- · - · Mmax 360 V
- Mmax @ Imax= 2x I₀
- S1



Motor data

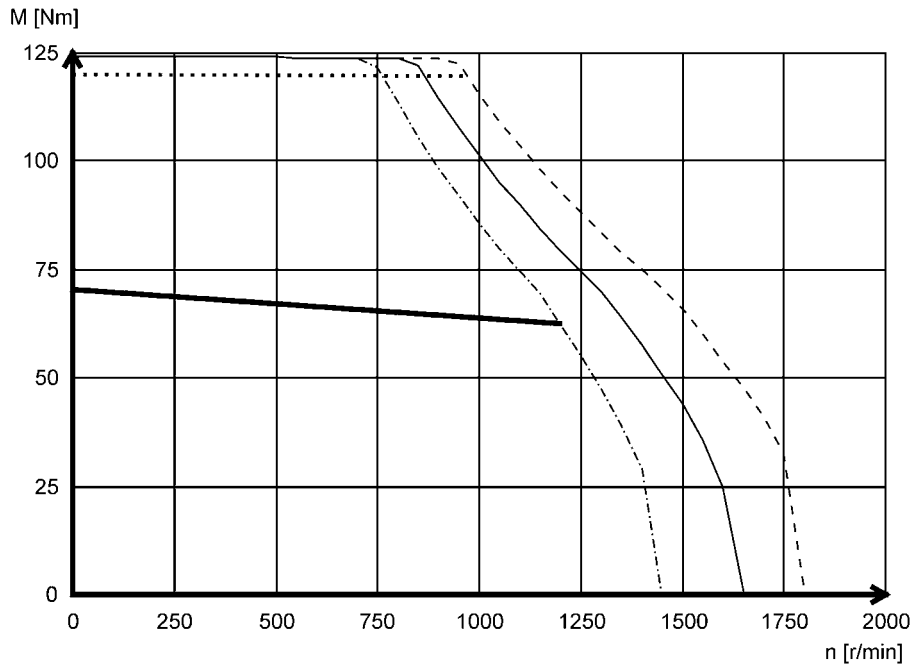
Torque characteristics

MCS19F30- (self-ventilated)



- Mmax 440 V
- Mmax 400 V
- · - · Mmax 360 V
- Mmax @ Imax= 3x I0
- · · · Mmax @ Imax= 2x I0
- S1

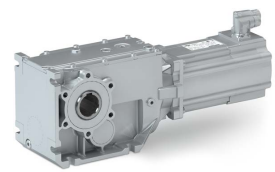
MCS19J12- (forced ventilated)



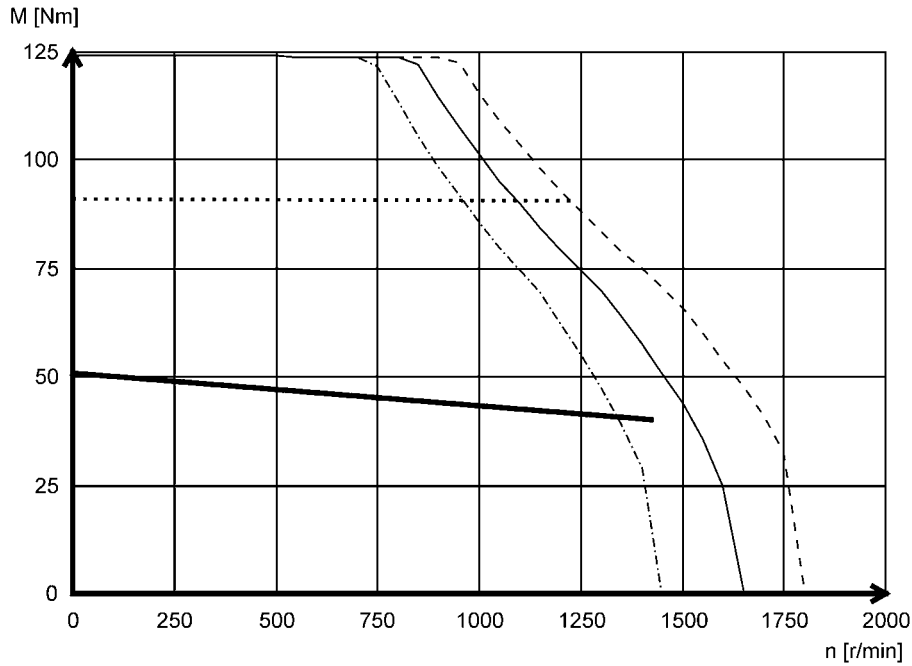
- Mmax 440 V
- Mmax 400 V
- · - · Mmax 360 V
- Mmax @ Imax= 2x I0
- · · · Mmax @ Imax= 2x I0
- S1

Motor data

Torque characteristics

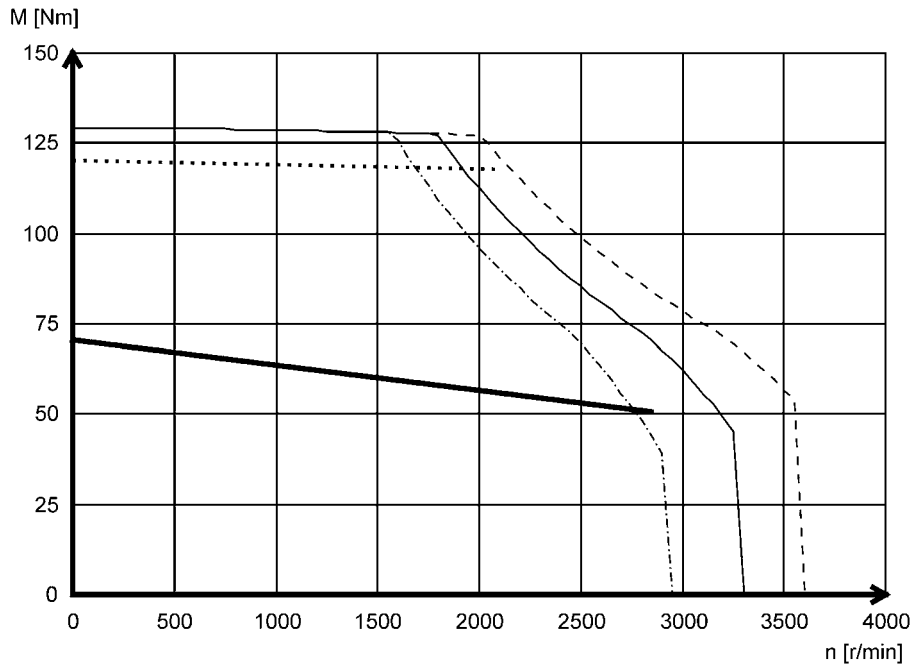


MCS19J14- (self-ventilated)



- Mmax 440 V
- Mmax 400 V
- · - · Mmax 360 V
- Mmax @ Imax= 2x I0
- S1

MCS19J29- (forced ventilated)



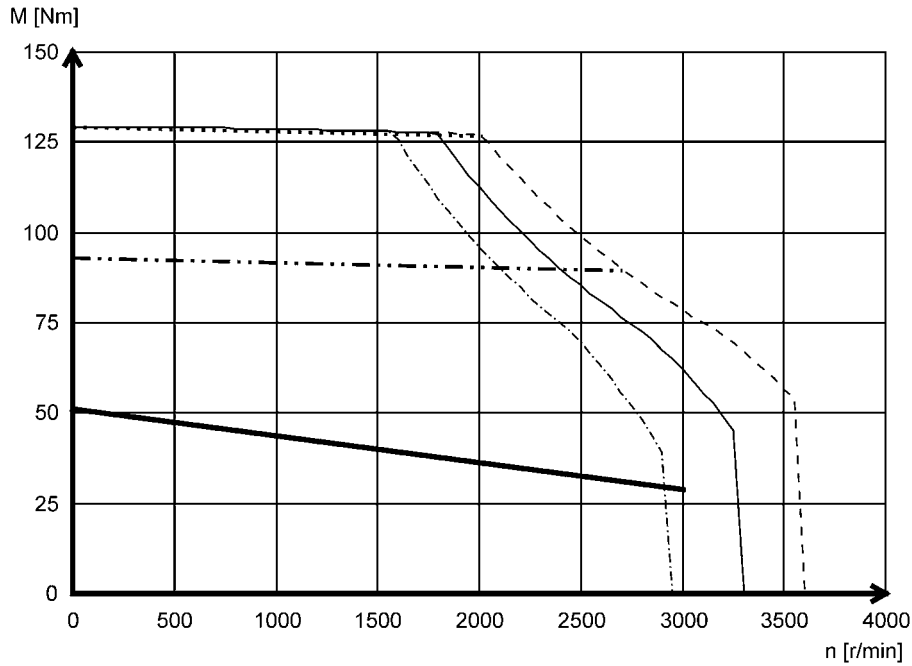
- Mmax 440 V
- Mmax 400 V
- · - · Mmax 360 V
- Mmax @ Imax= 2x I0
- S1



Motor data

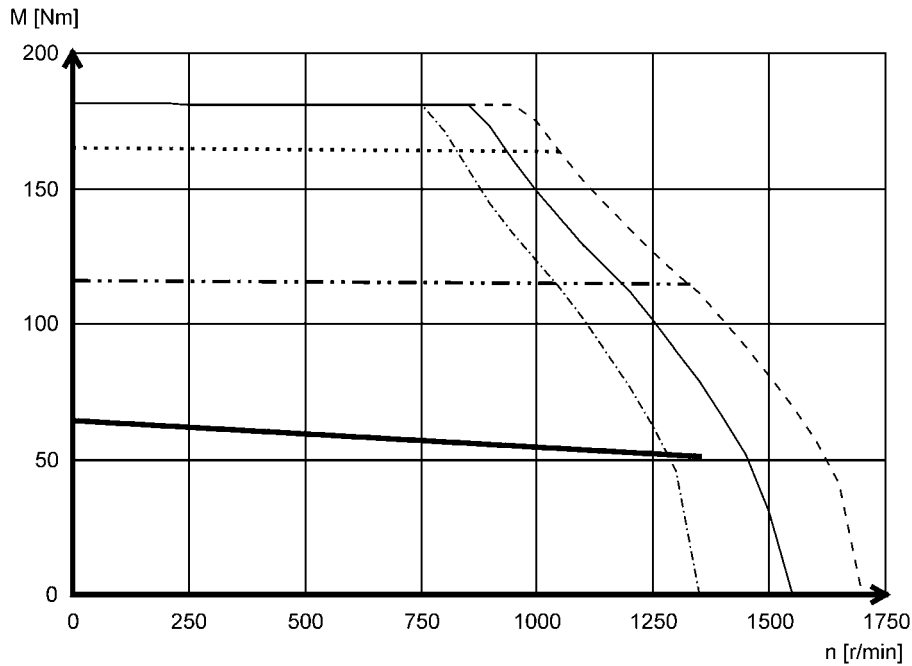
Torque characteristics

MCS19J30- (self-ventilated)



- Mmax 440 V
- Mmax 400 V
- Mmax 360 V
- Mmax @ I_{max}= 3x I₀
- · - · Mmax @ I_{max}= 2x I₀
- S1

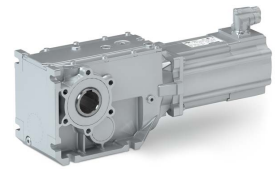
MCS19P14- (self-ventilated)



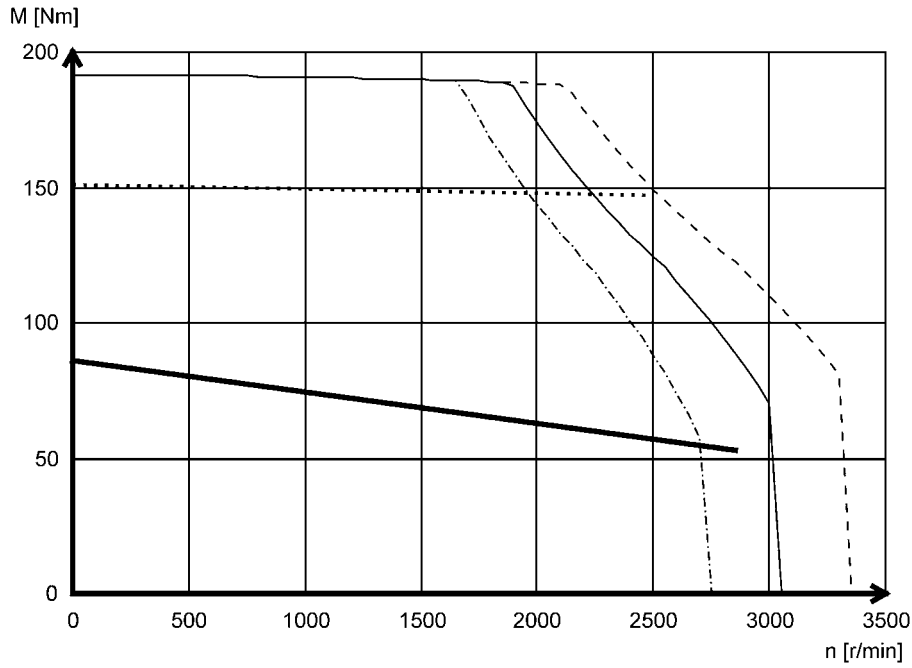
- Mmax 440 V
- Mmax 400 V
- Mmax 360 V
- Mmax @ I_{max}= 3x I₀
- · - · Mmax @ I_{max}= 2x I₀
- S1

Motor data

Torque characteristics

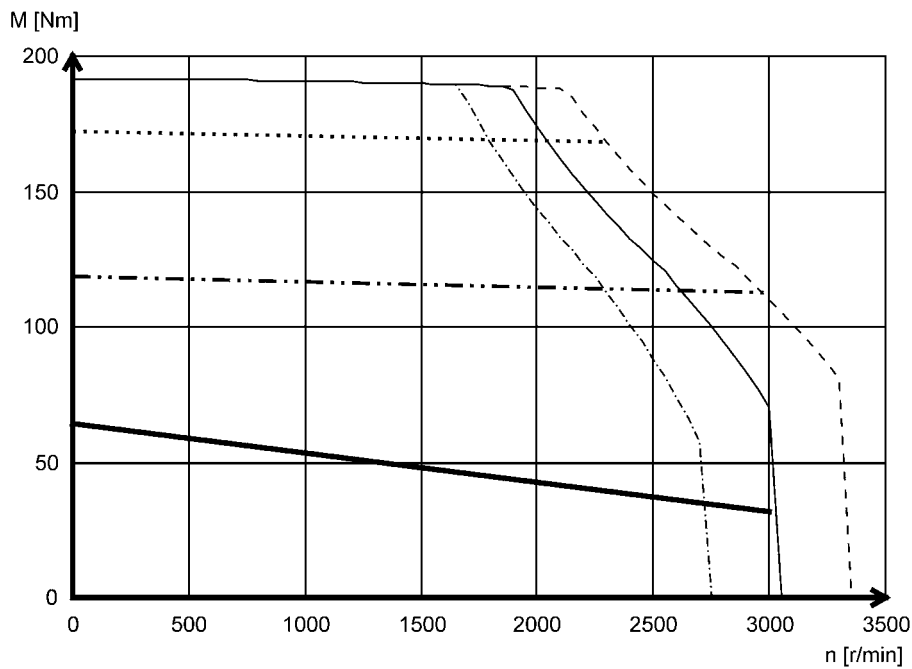


MCS19P29- (forced ventilated)

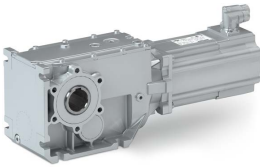


- Mmax 440 V
- Mmax 400 V
- - - - Mmax 360 V
- Mmax @ Imax= 2x I0
- S1

MCS19P30- (self-ventilated)



- Mmax 440 V
- Mmax 400 V
- - - - Mmax 360 V
- Mmax @ Imax= 3x I0
- · - · Mmax @ Imax= 2x I0
- S1



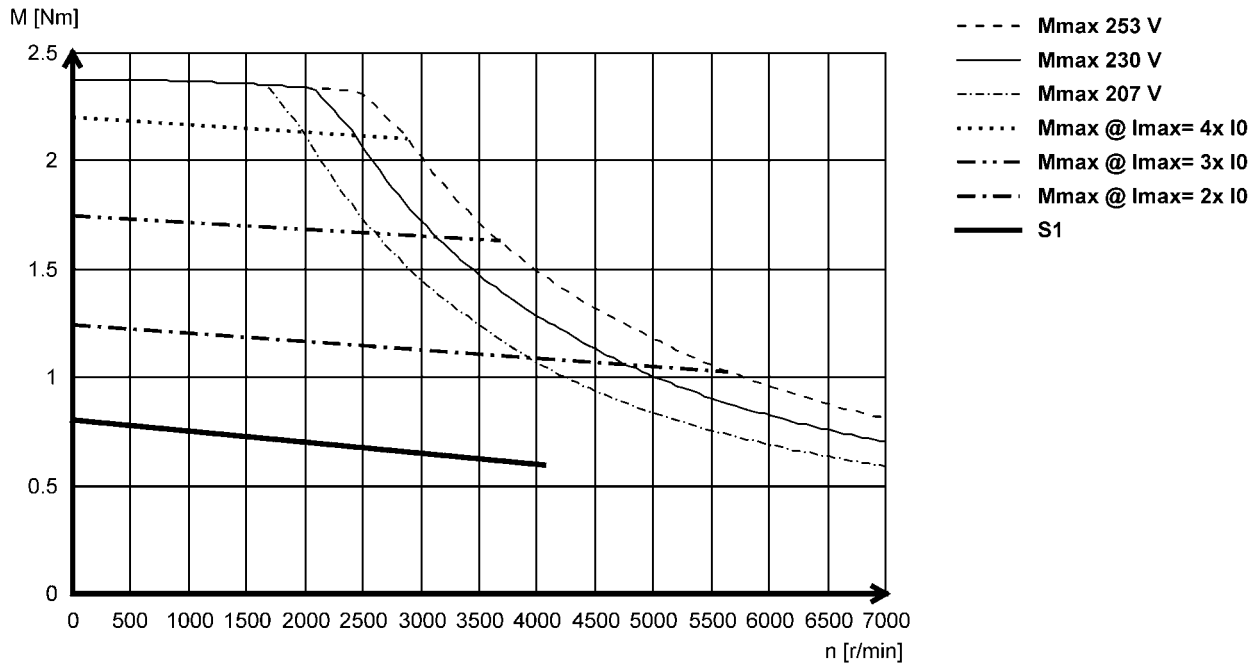
Motor data

Torque characteristics

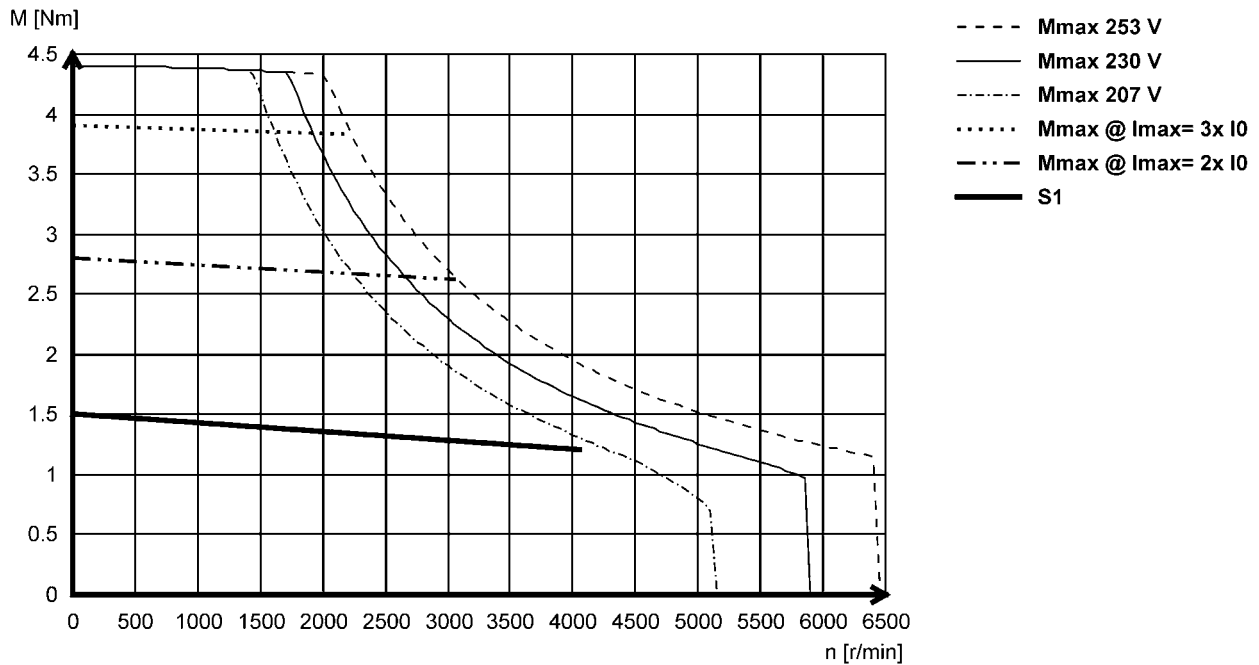


The following data apply to an inverter mains voltage 3 x 230 V.

MCS06C41L (self-ventilated)

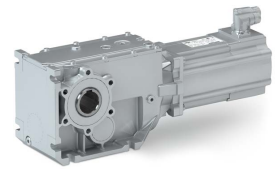


MCS06F41L (self-ventilated)

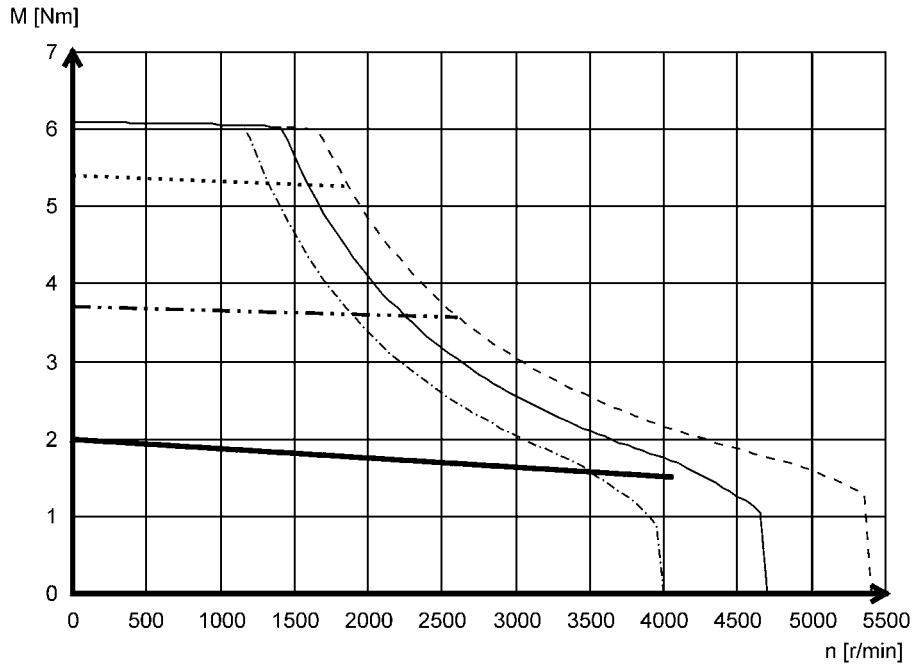


Motor data

Torque characteristics

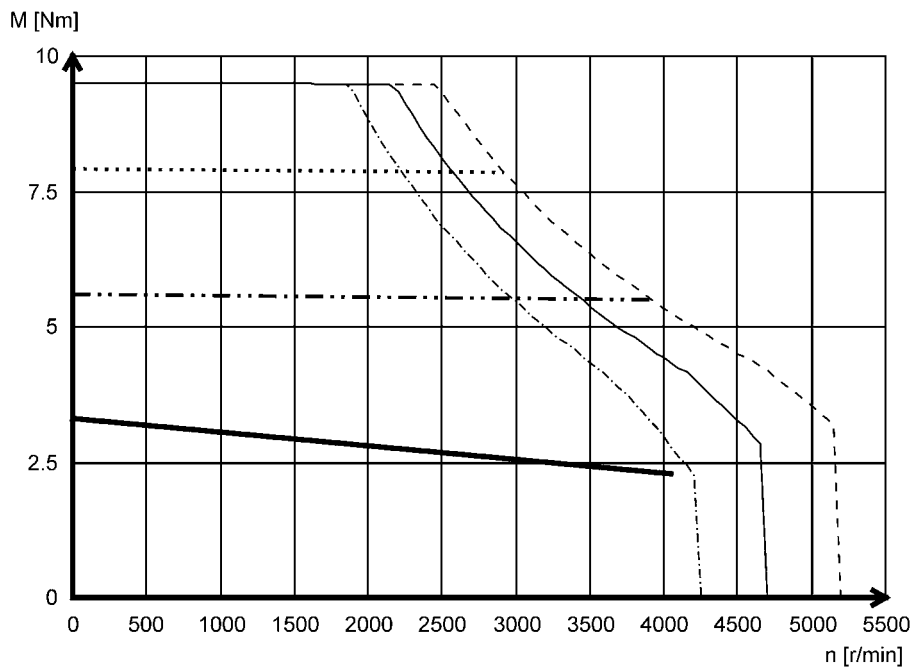


MCS06I41L (self-ventilated)

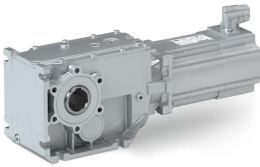


- **Mmax 253 V**
- **Mmax 230 V**
- · - · - **Mmax 207 V**
- **Mmax @ I_{max} = 3x I₀**
- - - - **Mmax @ I_{max} = 2x I₀**
- **S1**

MCS09D41L (self-ventilated)



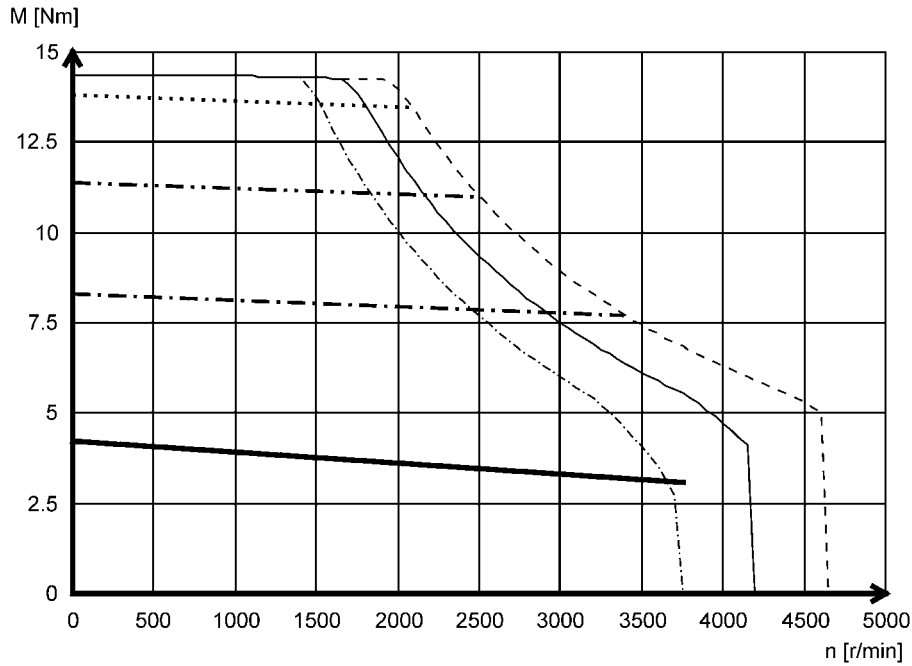
- **Mmax 253 V**
- **Mmax 230 V**
- · - · - **Mmax 207 V**
- **Mmax @ I_{max} = 3x I₀**
- - - - **Mmax @ I_{max} = 2x I₀**
- **S1**



Motor data

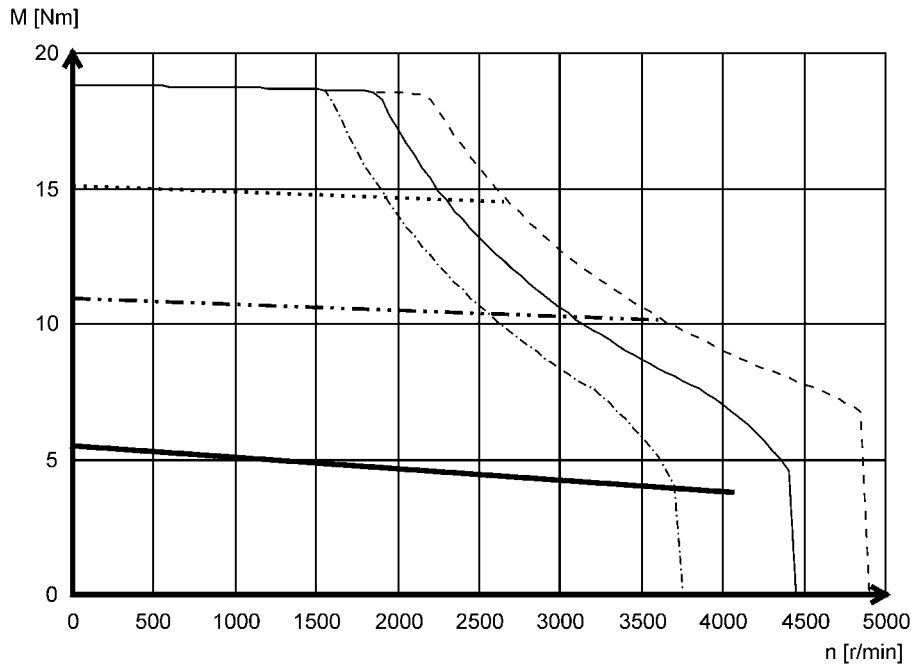
Torque characteristics

MCS09F38L (self-ventilated)



- Mmax 253 V
- Mmax 230 V
- · - · Mmax 207 V
- Mmax @ Imax= 4x I₀
- · · - Mmax @ Imax= 3x I₀
- - - Mmax @ Imax= 2x I₀
- S1

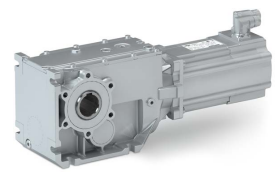
MCS09H41L (self-ventilated)



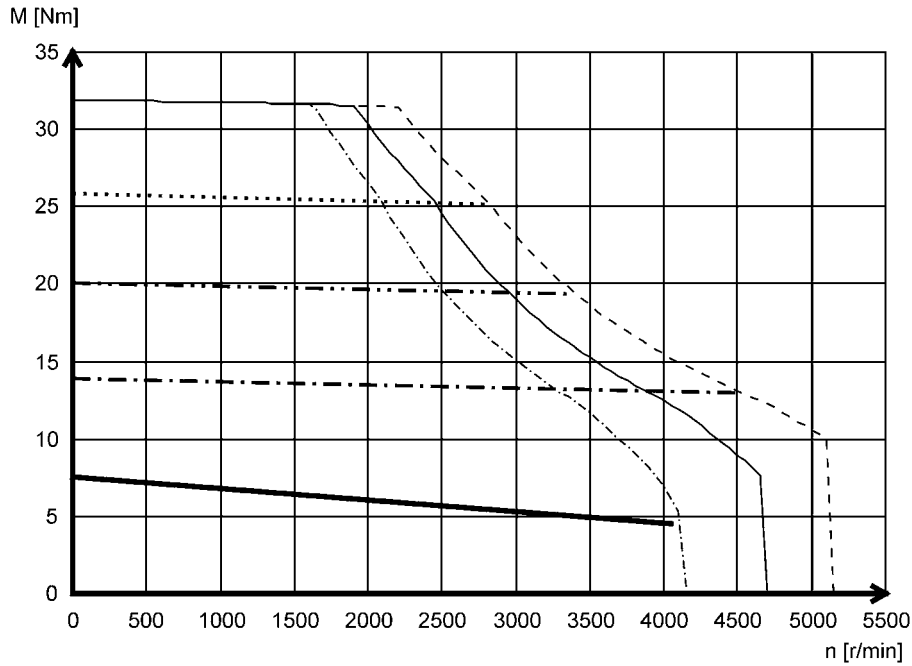
- Mmax 253 V
- Mmax 230 V
- · - · Mmax 207 V
- Mmax @ Imax= 3x I₀
- · · - Mmax @ Imax= 2x I₀
- S1

Motor data

Torque characteristics

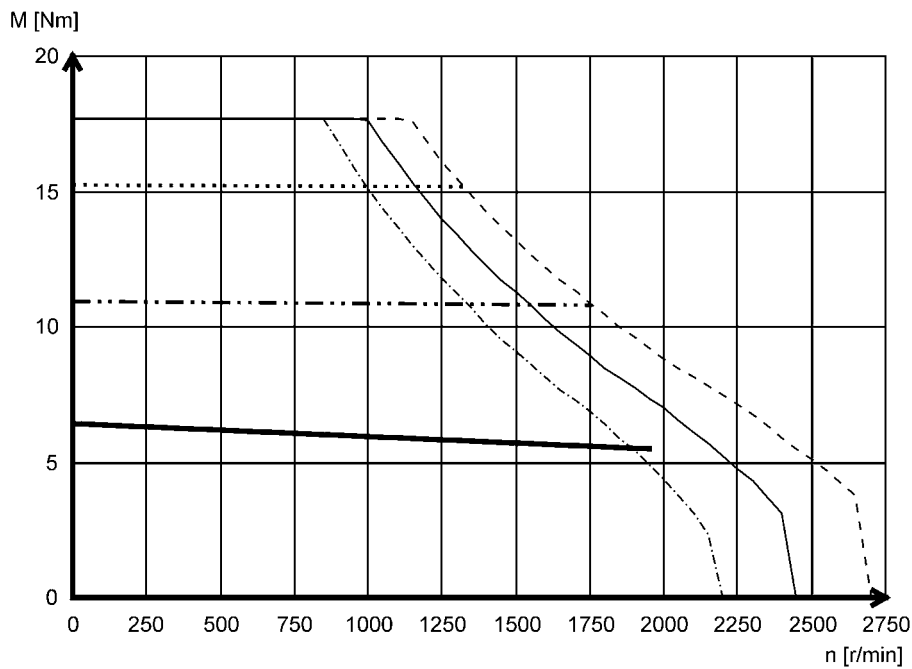


MCS09L41L (self-ventilated)



- Mmax 253 V
- Mmax 230 V
- · - · Mmax 207 V
- Mmax @ I_{max}= 4x I₀
- · · - Mmax @ I_{max}= 3x I₀
- - - Mmax @ I_{max}= 2x I₀
- S1

MCS12D20L (self-ventilated)



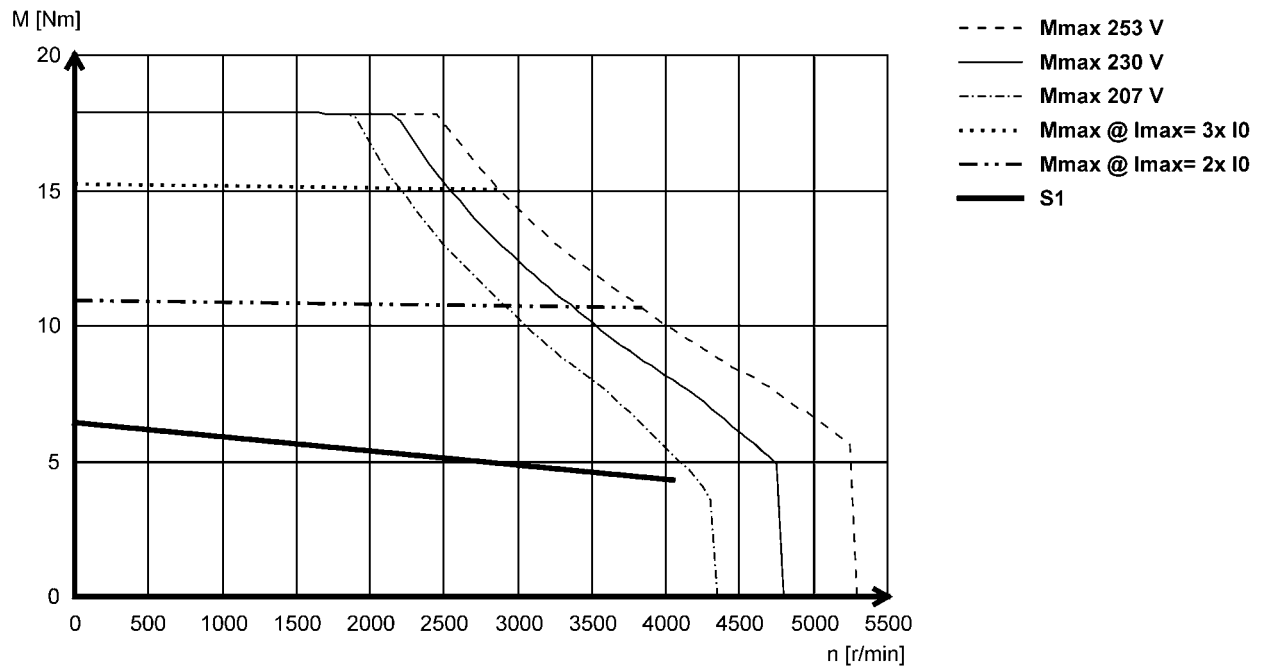
- Mmax 253 V
- Mmax 230 V
- · - · Mmax 207 V
- Mmax @ I_{max}= 3x I₀
- · · - Mmax @ I_{max}= 2x I₀
- S1



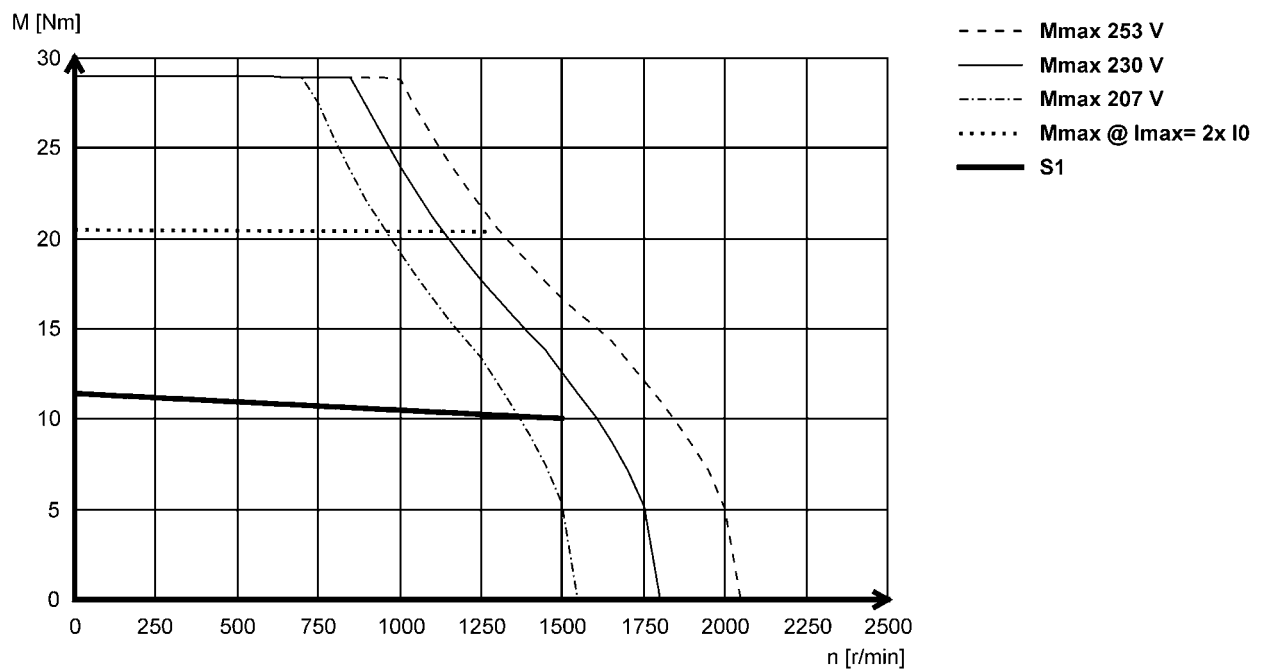
Motor data

Torque characteristics

MCS12D41L (self-ventilated)

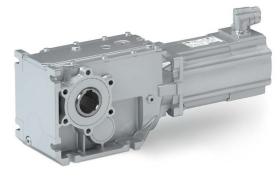


MCS12H15L (self-ventilated)

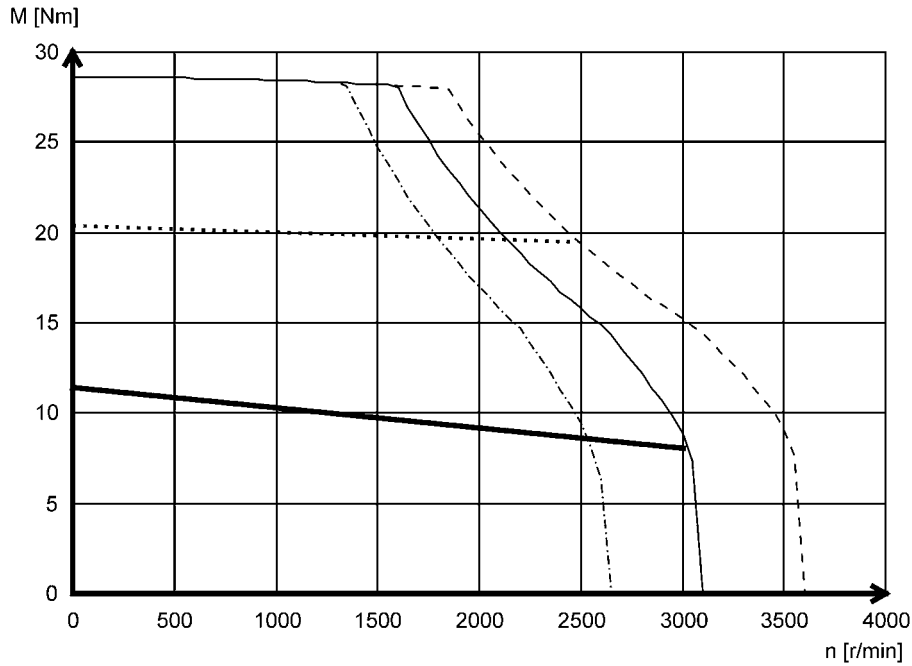


Motor data

Torque characteristics

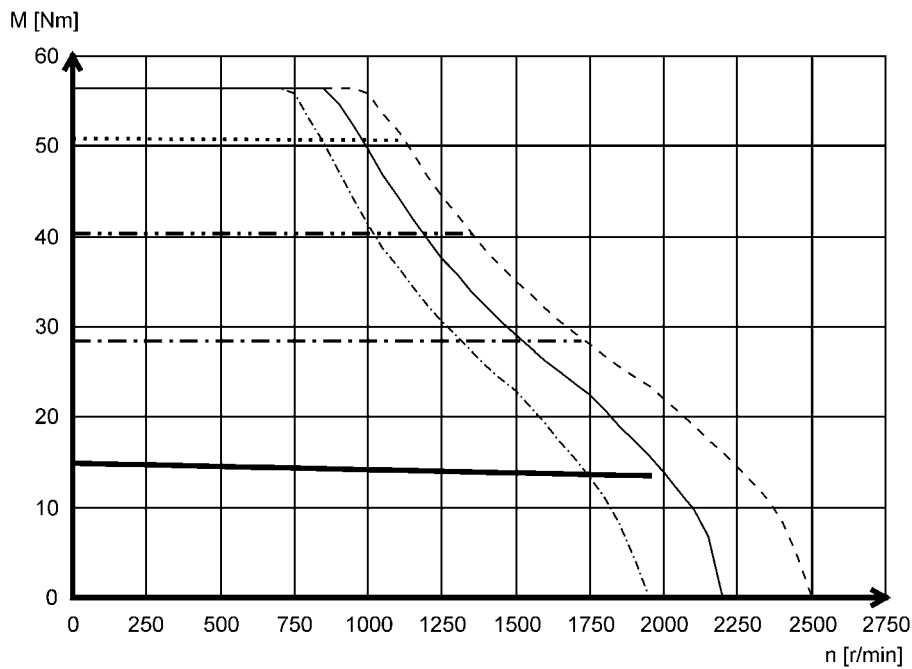


MCS12H30L- (self-ventilated)



- Mmax 253 V
- Mmax 230 V
- · - · Mmax 207 V
- Mmax @ Imax= 2x I0
- S1

MCS12L20L (self-ventilated)



- Mmax 253 V
- Mmax 230 V
- · - · Mmax 207 V
- Mmax @ Imax= 4x I0
- · - · - Mmax @ Imax= 3x I0
- - - - Mmax @ Imax= 2x I0
- S1



Appendix

Good to know

Approvals/directives

CCC	China Compulsory Certification documents the compliance with the legal product safety requirements of the PR of China - GB standards.
c _{CSA} _{US}	CSA certificate, tested according to US and Canada standards
CE	Communauté Européenne documents the declaration of the manufacturer that EC Directives are complied with.
CEL	China Energy Label documents the compliance with the legal energy efficiency requirements for motors, tested according to PR of China standards
CSA	Canadian Standards Association CSA certificate, tested according to Canada standards
UL ^{Energy} _{US CA}	Energy Verified Certificate Determining the energy efficiency according to CSA C390 for products within the scope of energy efficiency requirements in the USA and Canada
c _{UL} _{US}	UL certificate for products, tested according to US and Canada standards
c _{UR} _{US}	UL certificate for components, tested according to US and Canada standards
EAC	Customs union Russia / Belarus / Kazakhstan certificate documents the declaration of the manufacturer that the specifications for the Eurasian conformity (EAC) required for placing electronic and electromechanical products on the market of the entire territory of the Customs Union (Russia, Belarus, Kazakhstan) are complied with.
UL	Underwriters Laboratory Listed Product
UR	UL certificate for components, tested according to US standards

Appendix

Good to know
Operating modes of the motor



Operating modes of the motor

Operating modes S1 ... S10 as specified by EN 60034-1 describe the basic stress of an electrical machine.

In continuous operation a motor reaches its permissible temperature limit if it outputs the rated power dimensioned for continuous operation. However, if the motor is only subjected to load for a short time, the power output by the motor may be greater without the motor reaching its permissible temperature limit. This behaviour is referred to as overload capacity.

Depending on the duration of the load and the resulting temperature rise, the required motor can be selected reduced by the overload capacity.

The most important operating modes

Continuous operation S1	Short-time operation S2
<p>Operation with a constant load until the motor reaches the thermal steady state. The motor may be actuated continuously with its rated power.</p>	<p>Operation with constant load; however, the motor does not reach the thermal steady state. During the following standstill, the motor winding cools down to the ambient temperature again. The increase in power depends on the load duration.</p>
Intermittent operation S3	Non-intermittent periodic operation S6
<p>Sequence of identical duty cycles comprising operation with a constant load and subsequent standstill. Start-up and braking processes do not have an impact on the winding temperature. The steady-state is not reached. The guide values apply to a cycle duration of 10 minutes. The power increase depends on the cycle duration and on the load period/downtime ratio.</p>	<p>Sequence of identical duty cycles comprising operation with a constant load and subsequent no-load operation. The motor cools down during the no-load phase. Start-up and braking processes do not have an impact on the winding temperature. The steady-state is not reached. The guide values apply to a cycle duration of 10 minutes. The power increase depends on the cycle duration and on the load period/idle time ratio.</p>

P Power
t Time
 t_L Idle time
 ϑ Temperature

P_V Power loss
 t_B Load period
 t_S Cycle duration



Enclosures

The degree of protection indicates the suitability of a motor for specific ambient conditions with regard to humidity as well as the protection against contact and the ingress of foreign particles. The degrees of protection are classified by EN 60529.

The first code number after the code letters IP indicates the protection against the ingress of foreign particles and dust. The second code number refers to the protection against the ingress of humidity.

Code number 1	Degree of protection	Code number 2	Degree of protection
0	No protection	0	No protection
1	Protection against the ingress of foreign particles $d > 50$ mm. No protection in case of deliberate access.	1	Protection against vertically dripping water (dripping water).
2	Protection against medium-sized foreign particles, $d > 12$ mm, keeping away fingers or similar.	2	Protection against diagonally falling water (dripping water), 15° compared to normal service position.
3	Protection against small foreign particles $d > 2.5$ mm. Keeping away tools, wires or similar.	3	Protection against spraying water, up to 60° to the vertical
4	Protection against granular foreign particles, $d > 1$ mm, keeping away tools, wire or similar.	4	Protection against spraying water from all directions.
5	Protection against dust deposits (dust-protected), complete protection against contact.	5	Protection against water jets from all directions.
6	Protection against the ingress of dust (dust-proof), complete protection against contact.	6	Protection against choppy seas or heavy water jets (flood protection).

🏢 Lenze Drives GmbH
Postfach 10 13 52, D-31763 Hameln
Breslauer Straße 3, D-32699 Extertal
Germany
HR Lemgo B 6478
☎ +49 5154 82-0
📠 +49 5154 82-2800
@ lenze@lenze.com
🌐 www.lenze.com

✂ Lenze Service GmbH
Breslauer Straße 3, D-32699 Extertal
Germany
☎ 0080002446877 (24 h Helpline)
📠 +49 5154 82-1112
@ service.de@lenze.com

